



US00D578869S

(12) **United States Design Patent**  
**Fernandez**

(10) **Patent No.:** **US D578,869 S**  
(45) **Date of Patent:** **\*\* Oct. 21, 2008**

(54) **MOUNTING BASE**

(75) Inventor: **Julio A. Fernandez**, Doonnellon, FL  
(US)

(73) Assignee: **Clairson, Inc.**, Newark, DE (US)

(\*\*) Term: **14 Years**

(21) Appl. No.: **29/298,396**

(22) Filed: **Dec. 4, 2007**

(51) **LOC (8) Cl.** ..... **08-05**

(52) **U.S. Cl.** ..... **D8/354**

(58) **Field of Classification Search** ..... D8/349,  
D8/354, 380, 381, 382, 394, 396; D6/511,  
D6/566, 567, 572, 574; 248/49, 62, 220.21,  
248/220.31, 245, 251, 252, 301-308

See application file for complete search history.

(56) **References Cited**

**U.S. PATENT DOCUMENTS**

1,793,036 A	2/1931	Whitney	
2,266,274 A	12/1941	Schroeder	
2,441,721 A	5/1948	Schroeder	
3,499,541 A	3/1970	Mackie	
3,563,182 A	2/1971	MacFarlane et al.	
3,640,389 A	2/1972	Snyder	
D227,742 S *	7/1973	Logsdon	D8/354
3,760,744 A	9/1973	Cruckshank	
3,998,170 A	12/1976	Gordon	
4,155,312 A	5/1979	Thorkildson	
4,523,722 A	6/1985	Cohen et al.	
D279,959 S *	8/1985	Nimmo et al.	D8/396
4,533,056 A	8/1985	Krikorian	
4,548,327 A	10/1985	Kilkelly	
4,603,781 A	8/1986	Ryan, Jr.	
4,646,998 A	3/1987	Pate	
4,693,380 A	9/1987	Muth	
4,708,552 A	11/1987	Bustos et al.	
D293,416 S *	12/1987	Krueger	D8/373
4,732,284 A	3/1988	Remmers	
D295,182 S	4/1988	Remmers	
4,735,325 A	4/1988	Remmers	

D295,472 S	5/1988	Remmers	
4,781,349 A	11/1988	Remmers	
4,783,035 A	11/1988	Remmers	
D299,212 S *	1/1989	Murphy	D8/380
D299,436 S	1/1989	Muth	
4,795,041 A	1/1989	Remmers	
4,838,451 A	6/1989	Arkell et al.	
D305,272 S	12/1989	Remmers	
D311,860 S	11/1990	Remmers	
D312,389 S	11/1990	Remmers	
5,074,223 A	12/1991	Remmers	
5,086,936 A	2/1992	Remmers	
D334,497 S	4/1993	Putty	
D340,639 S	10/1993	Remmers	

(Continued)

**FOREIGN PATENT DOCUMENTS**

EP 0338872 A1 10/1989

(Continued)

*Primary Examiner*—Holly H Baynham

*Assistant Examiner*—Cynthia M Chin

(74) *Attorney, Agent, or Firm*—Harness, Dickey & Pierce, P.L.C.

(57) **CLAIM**

The ornamental design for a mounting base, as shown and described.

**DESCRIPTION**

FIG. 1 is an upper perspective view of a mounting base, showing my design;

FIG. 2 is a lower perspective view thereof;

FIG. 3 is a left side view thereof;

FIG. 4 is a right side view thereof;

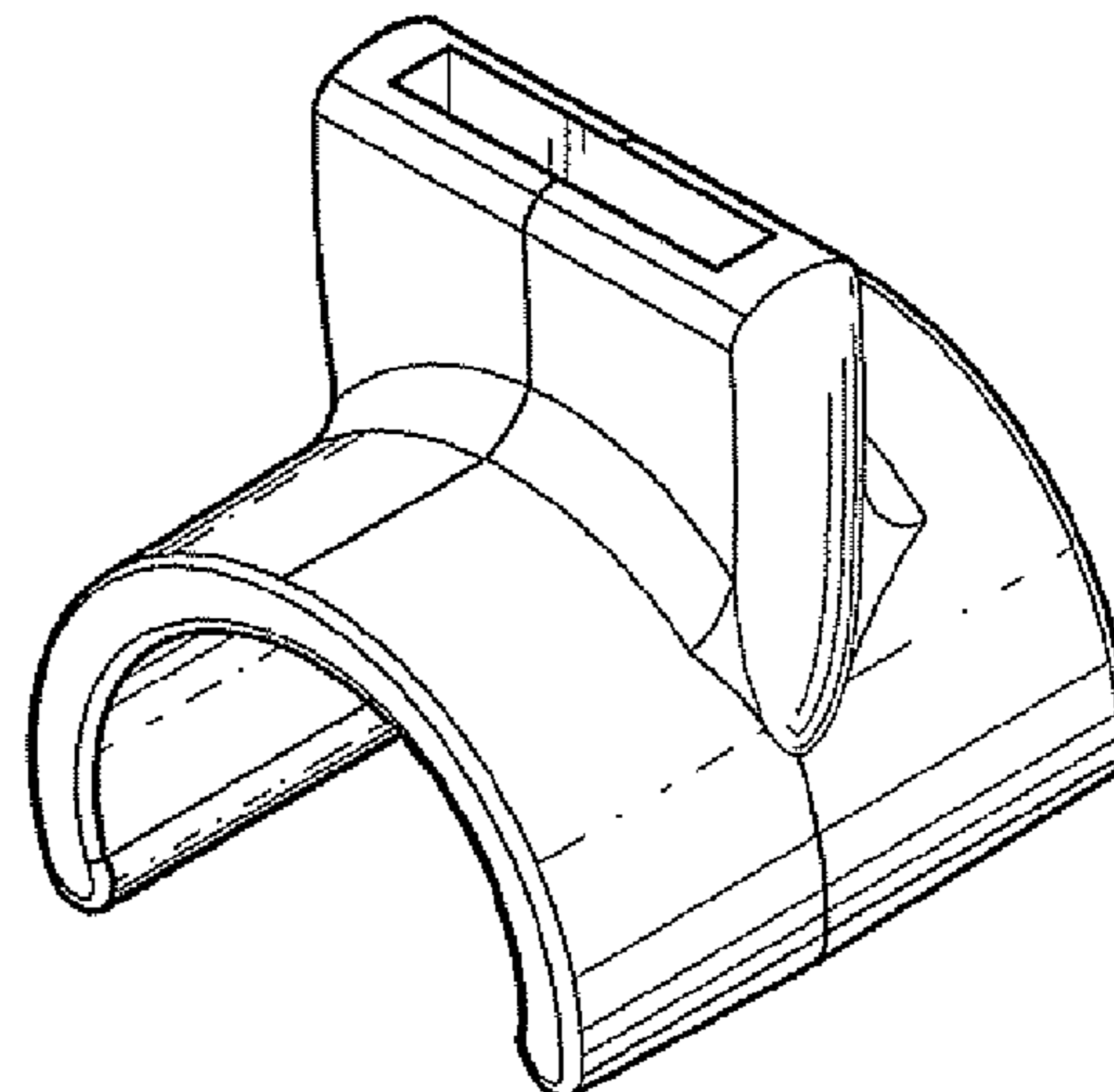
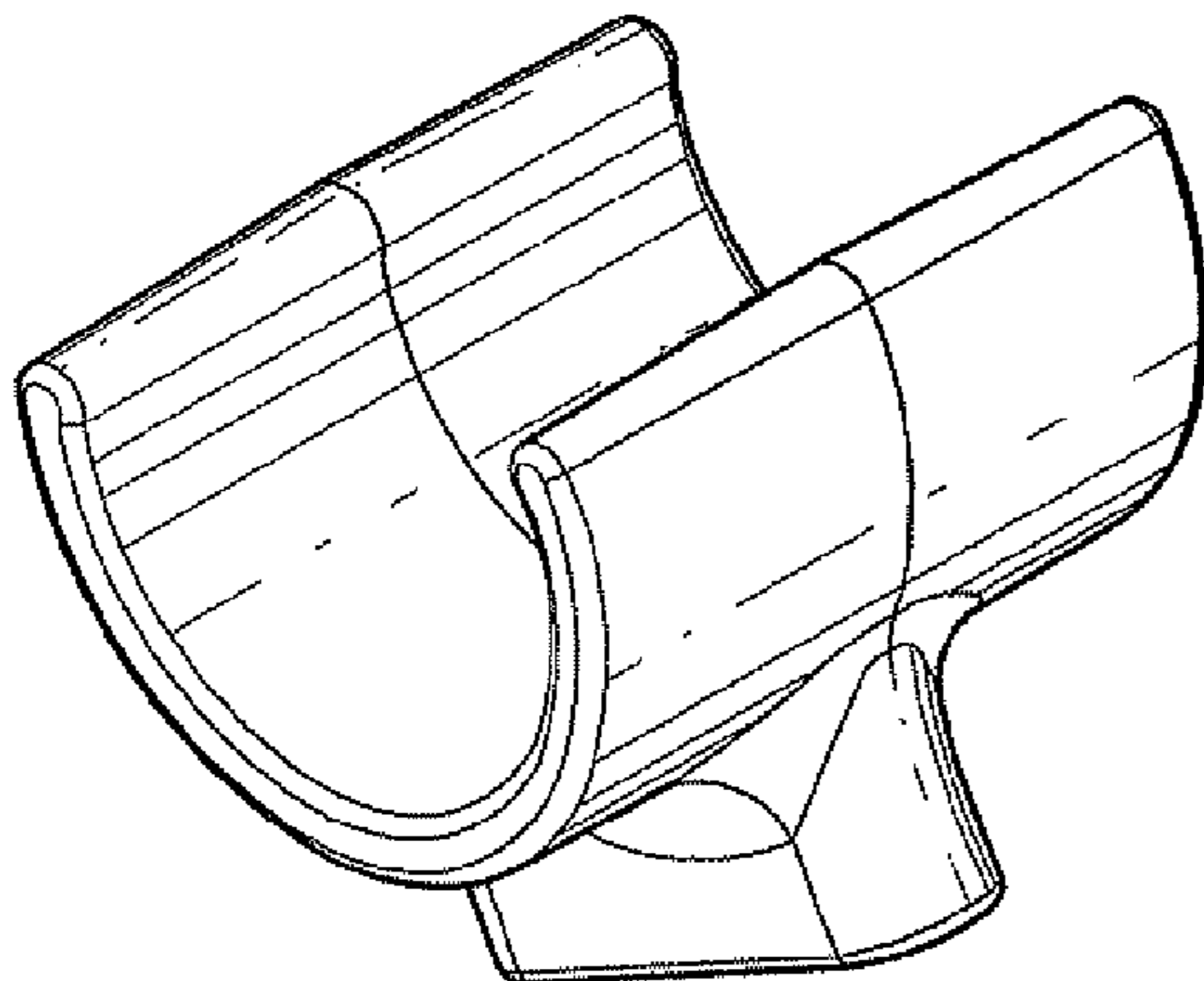
FIG. 5 is a front view thereof;

FIG. 6 is a back view thereof;

FIG. 7 is a top view thereof; and,

FIG. 8 is a bottom view thereof.

**1 Claim, 4 Drawing Sheets**



# US D578,869 S

Page 2

## U.S. PATENT DOCUMENTS

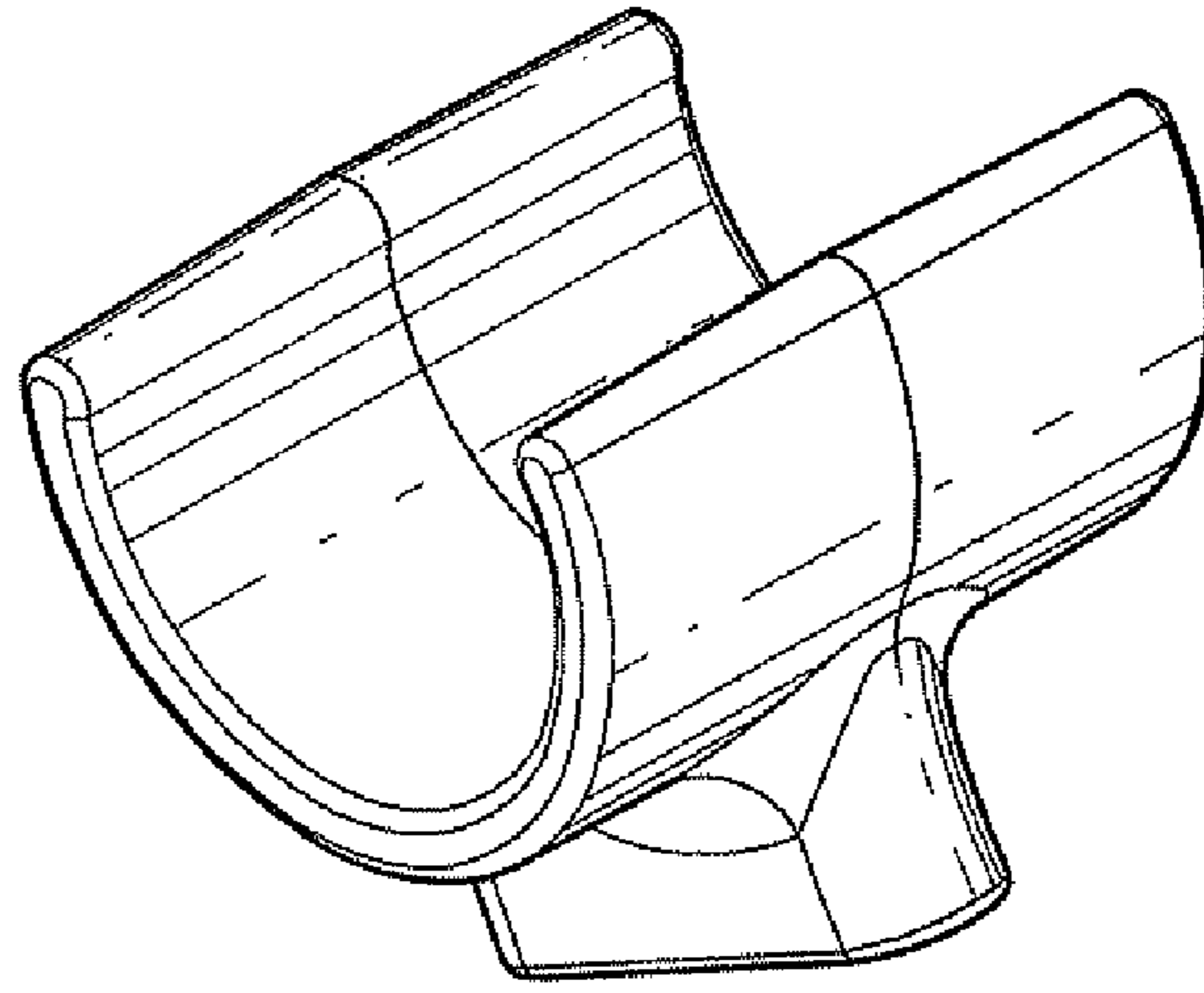
D348,826	S	*	7/1994	McCaffrey	.....	D8/354
5,326,062	A		7/1994	Remmers		
5,330,063	A		7/1994	Remmers		
5,351,842	A		10/1994	Remmers		
D353,500	S		12/1994	Remmers		
5,407,084	A		4/1995	Remmers		
5,492,295	A		2/1996	Remmers		
D369,293	S		4/1996	Gusdorf et al.		
5,531,416	A		7/1996	Remmers		
5,533,851	A		7/1996	Remmers		
5,580,018	A		12/1996	Remmers		
5,584,405	A		12/1996	Tunzi		
D392,553	S	*	3/1998	Dill	.....	D8/380
5,752,610	A		5/1998	Remmers		
5,755,414	A		5/1998	Remmers		
D394,999	S	*	6/1998	Phillip	.....	D8/380
5,758,851	A		6/1998	Remmers		
D402,536	S	*	12/1998	Cousins	.....	D8/354
D403,234	S	*	12/1998	Nagato	.....	D8/354
D408,175	S		4/1999	Daniels et al.		
D409,866	S		5/1999	West		
5,909,936	A		6/1999	Daniels et al.		
5,921,412	A		7/1999	Merl		
D423,917	S		5/2000	Remmers et al.		
D427,466	S		7/2000	Remmers		
D437,515	S		2/2001	Remmers et al.		
6,279,467	B1		8/2001	Tiemann		
6,402,108	B1		6/2002	Remmers		
6,457,594	B1		10/2002	Tiemann		
6,467,860	B2		10/2002	Remmers		
6,494,653	B2		12/2002	Remmers		
D470,398	S		2/2003	Remmers		
D477,144	S		7/2003	Remmers		
6,626,509	B2		9/2003	Remmers		
6,669,154	B1		12/2003	Remmers		
D490,690	S	*	6/2004	Brass et al.	.....	D8/354
6,840,593	B2		1/2005	Remmers		
D506,385	S	*	6/2005	Brown	.....	D8/396
6,915,913	B2		7/2005	Cardinell		
6,953,176	B2		10/2005	Remmers		
7,004,335	B2		2/2006	Remmers		
7,021,730	B2		4/2006	Remmers		
D522,848	S		6/2006	Nawrocki		
D522,852	S		6/2006	Nawrocki		
D525,811	S		8/2006	Nawrocki		
D526,519	S		8/2006	Nawrocki		
D526,887	S		8/2006	Remmers et al.		
7,086,543	B2		8/2006	Remmers		

7,090,317	B2		8/2006	Remmers		
D527,559	S		9/2006	Remmers		
D527,935	S		9/2006	Remmers		
D531,019	S	*	10/2006	Plumer	.....	D8/396
D531,891	S		11/2006	Nawrocki		
7,174,605	B1		2/2007	Nawrocki		
7,185,772	B2		3/2007	Remmers		
7,188,740	B2		3/2007	Marchetta et al.		
D543,094	S		5/2007	Remmers		
7,225,237	B1		5/2007	Tenereillo		
D544,260	S		6/2007	Nawrocki		
D544,261	S		6/2007	Nawrocki		
D547,163	S		7/2007	Xayoiphonh		
D547,164	S		7/2007	Xayoiphonh		
D547,640	S		7/2007	Remmers		
7,240,803	B2		7/2007	Stitchick et al.		
D550,540	S		9/2007	Nawrocki		
D551,062	S		9/2007	Nawrocki		
D551,884	S		10/2007	Remmers		
D553,485	S	*	10/2007	Hall	.....	D8/396
7,296,697	B2		11/2007	Costa et al.		
7,314,144	B2		1/2008	Stitchick et al.		
2005/0109720	A1		5/2005	Marchetta		
2005/0145147	A1		7/2005	Costa et al.		
2005/0247651	A1		11/2005	Craft		
2006/0011568	A1		1/2006	Remmers et al.		
2006/0113443	A1		6/2006	Remmers		
2007/0023374	A1		2/2007	Nawrocki		
2007/0068887	A1		3/2007	Nawrocki		
2007/0101545	A1		5/2007	Nawrocki		
2007/0102604	A1		5/2007	Nawrocki		
2007/0108146	A1		5/2007	Nawrocki		
2007/0108148	A1		5/2007	Stitchick et al.		
2007/0114197	A1		5/2007	Remmers		
2007/0114348	A1		5/2007	Nawrocki		
2007/0119805	A1		5/2007	Nawrocki		
2007/0137417	A1		6/2007	Nawrocki et al.		
2007/0159040	A1		7/2007	Fernandez et al.		
2007/0187561	A1		8/2007	Xayoiphonh		
2007/0205172	A1		9/2007	Stitchick et al.		

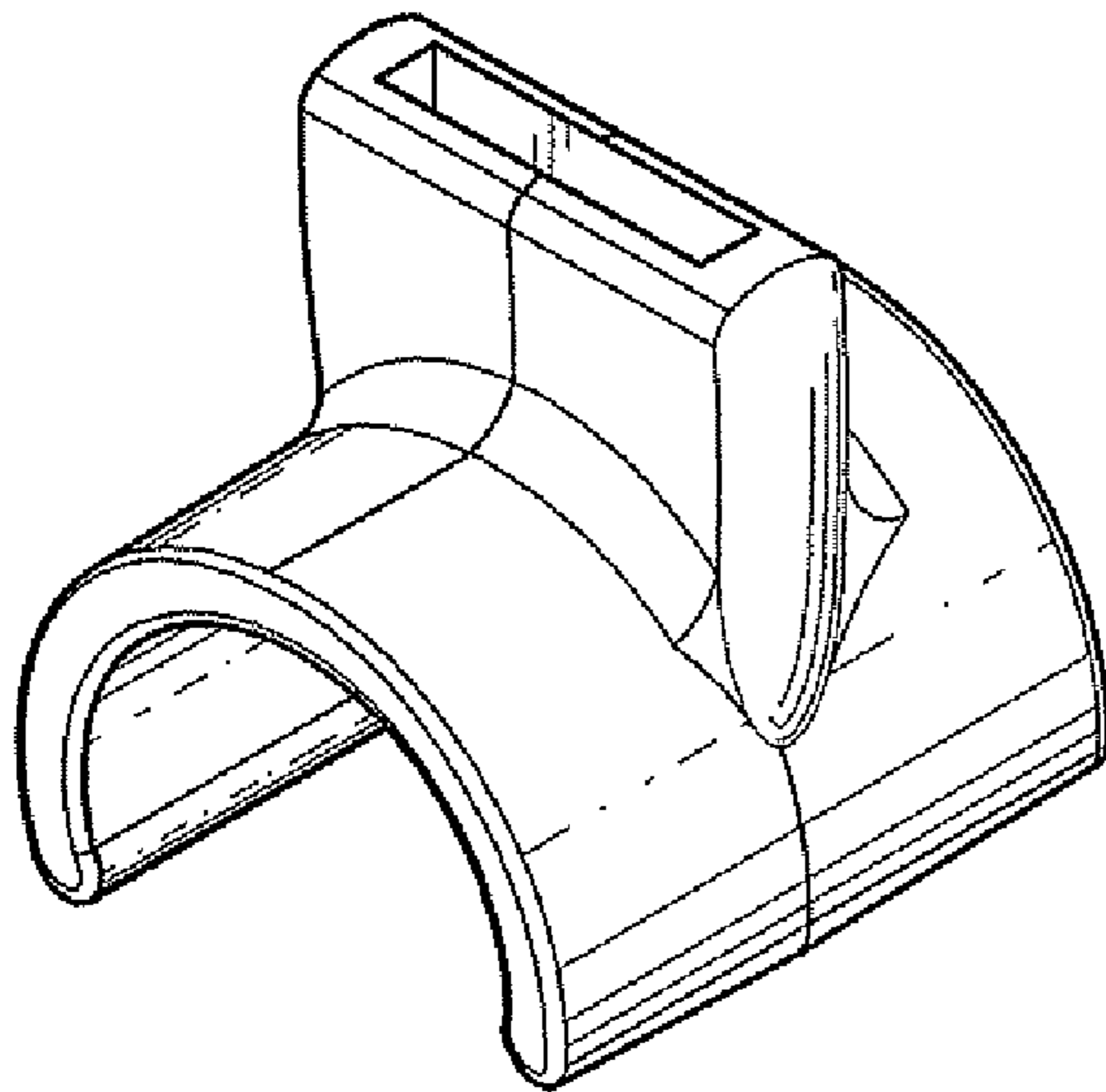
## FOREIGN PATENT DOCUMENTS

FR	2717994	A1	10/1995
GB	2153205	A	8/1985
GB	2180141	A	3/1987
GB	2229625	A	10/1990
JP	10002663		1/1998
WO	WO 2004/056236		7/2004

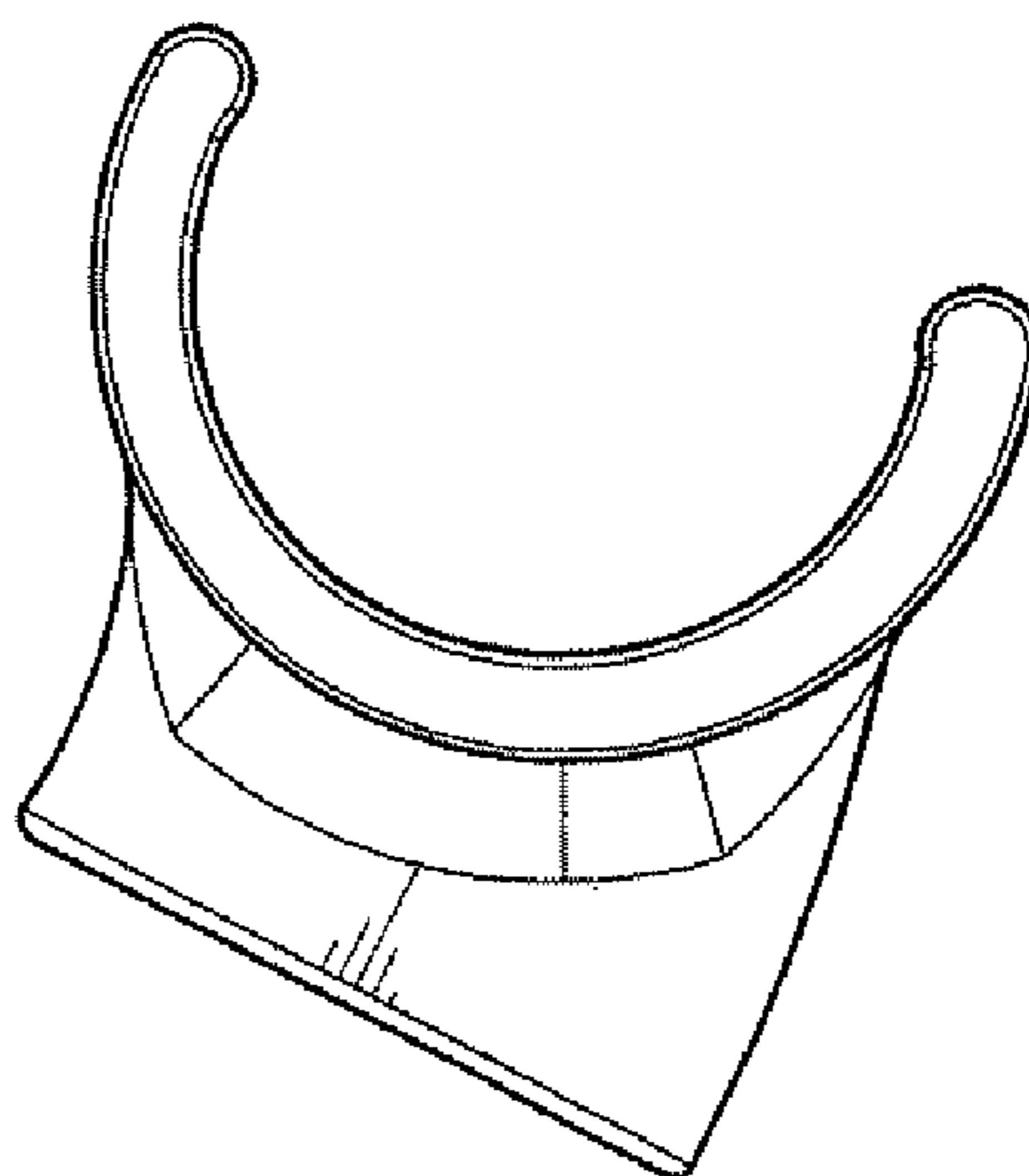
\* cited by examiner



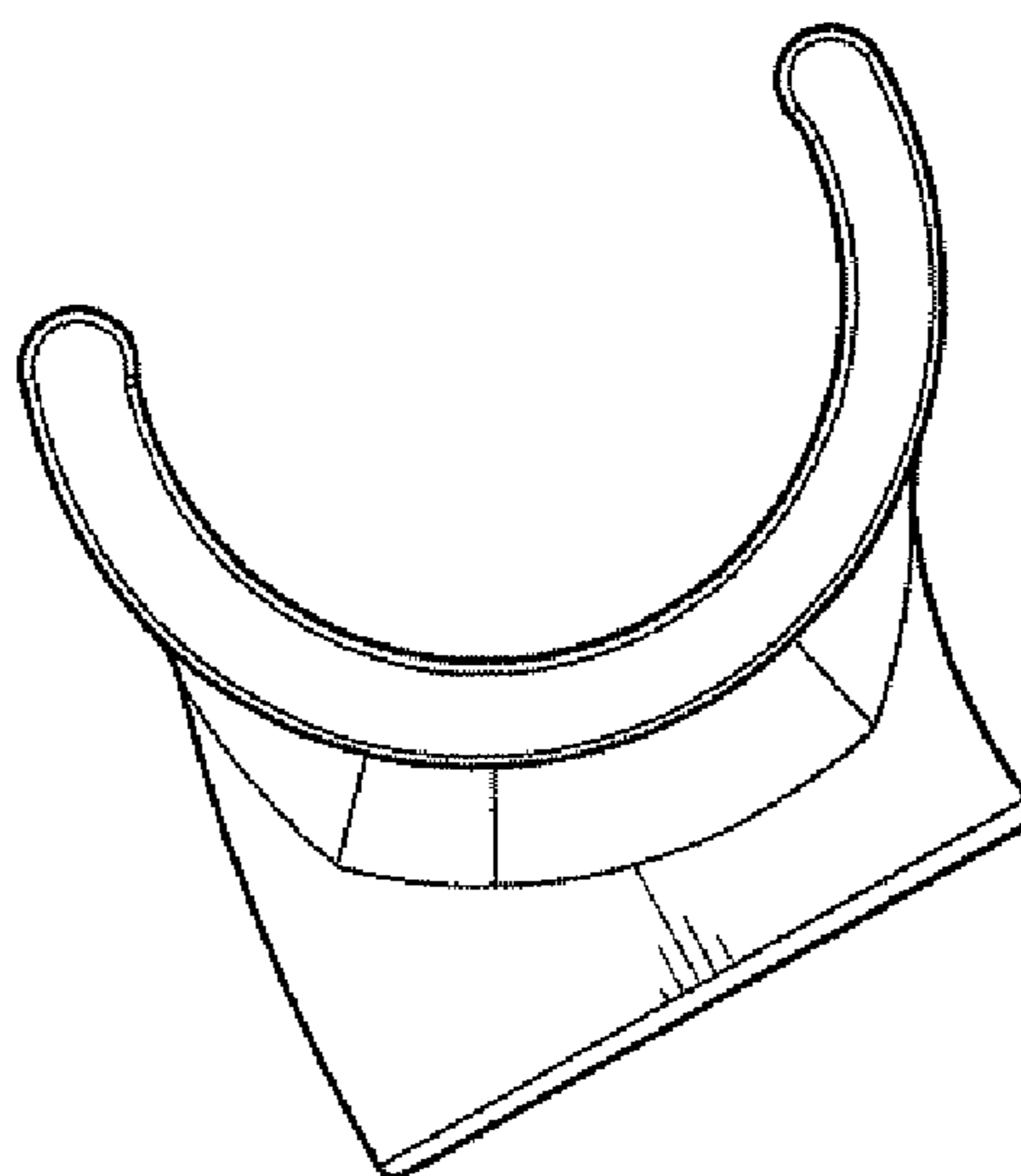
*FIG. 1*



*FIG. 2*



*FIG. 3*



*FIG. 4*

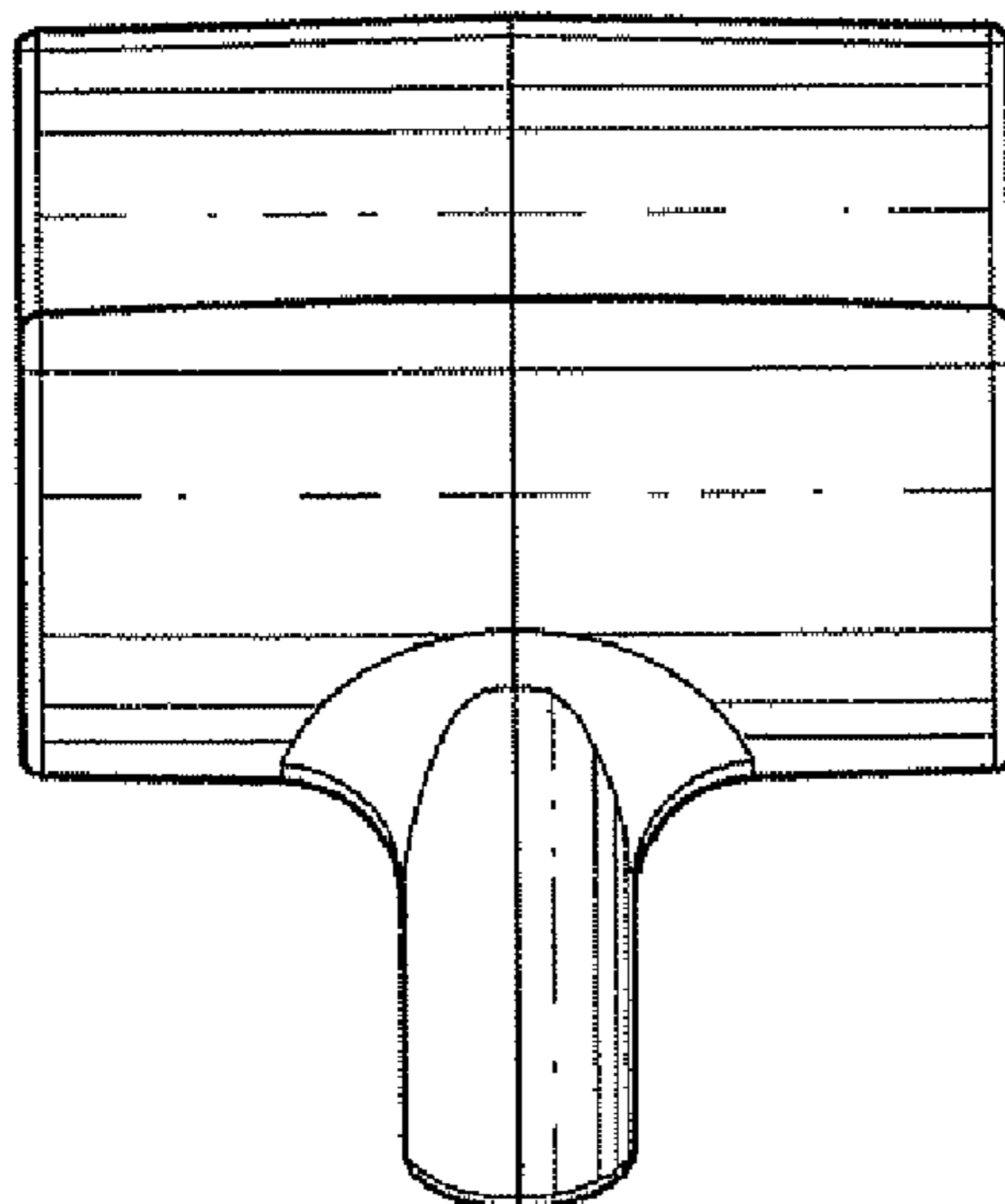


FIG. 5

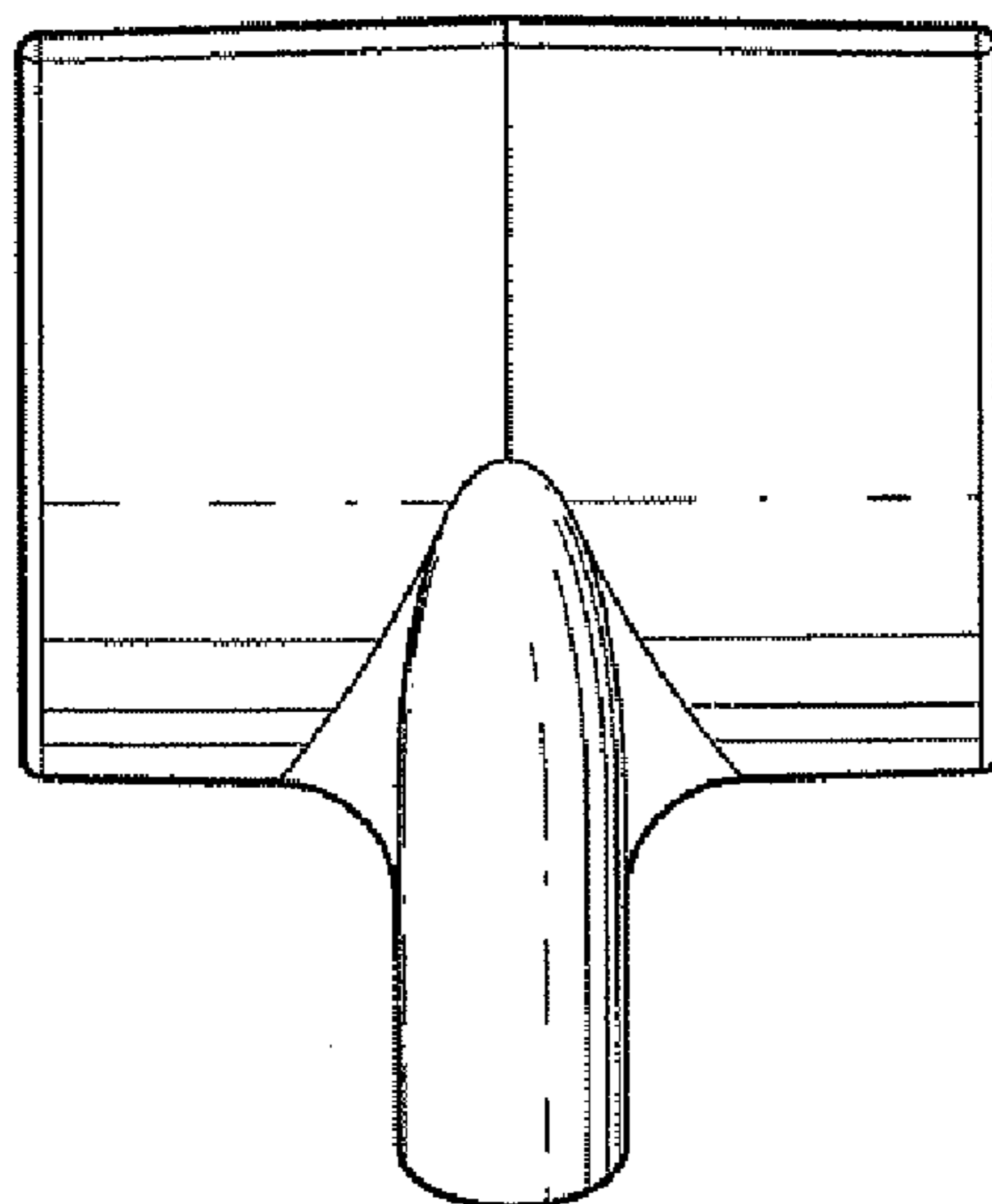
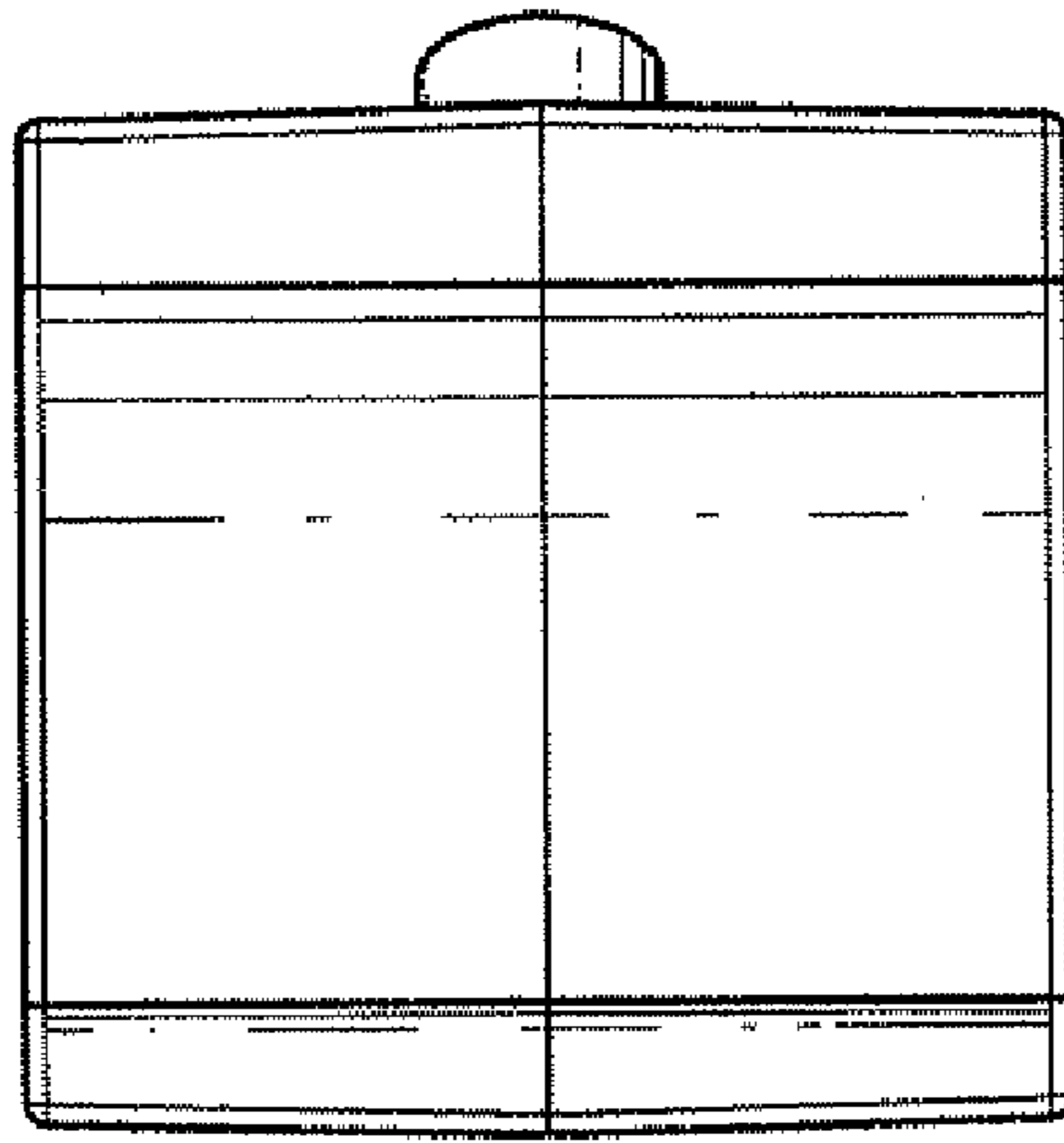
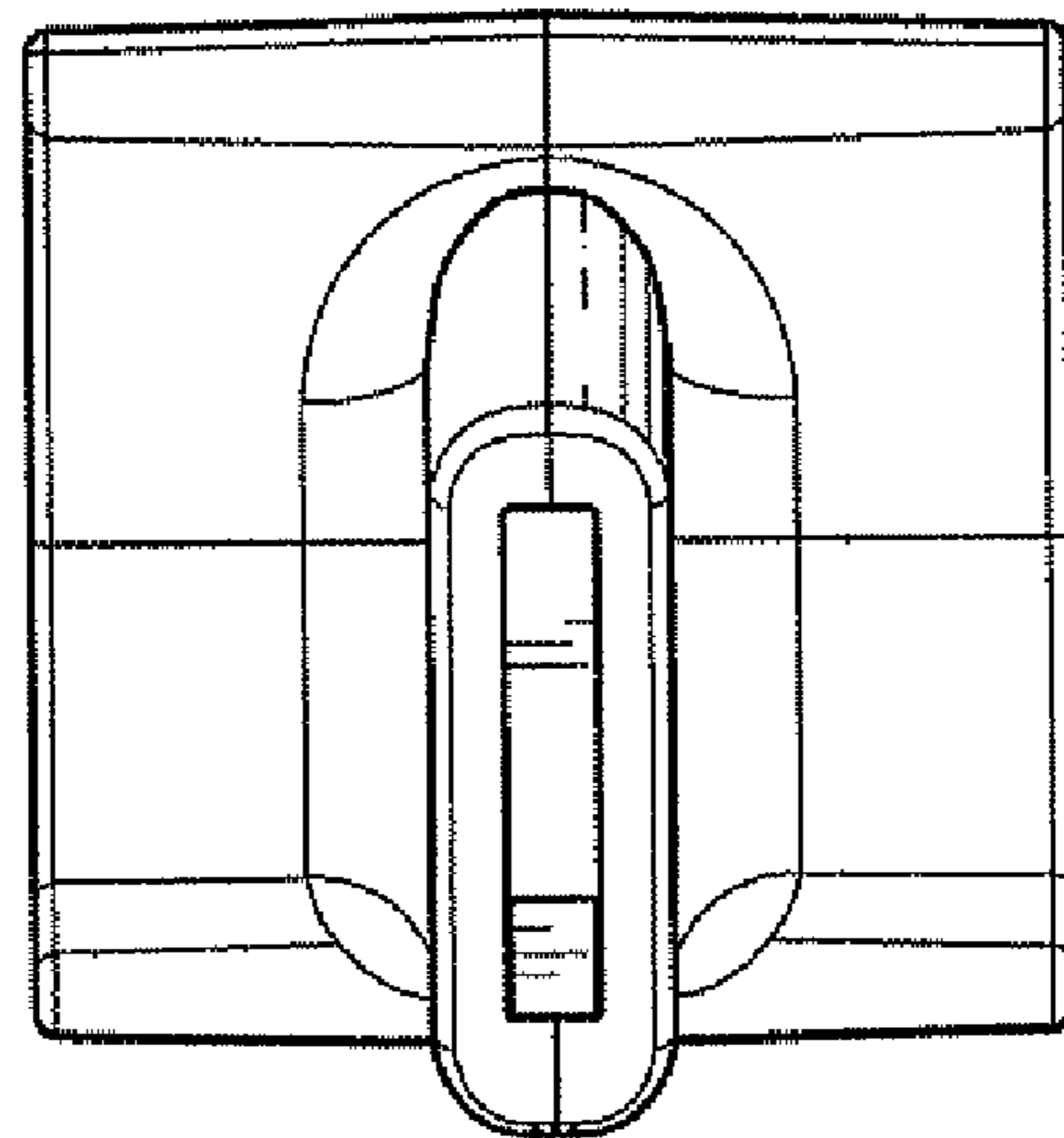


FIG. 6



*FIG. 7*



*FIG. 8*