



US00D578868S

(12) **United States Design Patent**  
**Ramakers et al.**

(10) **Patent No.:** **US D578,868 S**

(45) **Date of Patent:** **\*\* Oct. 21, 2008**

(54) **SUCTION CUP**

(75) Inventors: **Leonard J. M. Ramakers**, Amsterdam (NL); **Johannes A. N. Hoekstra**, Rotterdam (NL)

(73) Assignee: **Droog B.V.** (NL)

(\*\*) Term: **14 Years**

(21) Appl. No.: **29/254,138**

(22) Filed: **Feb. 16, 2006**

(51) **LOC (8) Cl.** ..... **08-05**

(52) **U.S. Cl.** ..... **D8/354**

(58) **Field of Classification Search** ..... D8/354;  
248/206.1, 206.2, 205.5, 205.6  
See application file for complete search history.

(56) **References Cited**

**U.S. PATENT DOCUMENTS**

1,298,139	A *	3/1919	Wolcott	.....	248/206.2
1,518,943	A *	12/1924	Story	.....	248/205.5
2,886,277	A *	5/1959	Boham et al.	.....	248/205.5
5,901,931	A *	5/1999	Mahoney	.....	248/205.5
D416,783	S *	11/1999	Hampshire	.....	D8/354
D423,329	S *	4/2000	Adams	.....	D8/354

\* cited by examiner

*Primary Examiner*—Holly H Baynham

(74) *Attorney, Agent, or Firm*—DLA Piper LLP (US); Jennifer E. Lacroix

(57) **CLAIM**

The ornamental design for a suction cup, as shown and described.

**DESCRIPTION**

FIG. 1 is a perspective view of a suction cup according to the inventive design;

FIG. 2 is an elevational view of a suction cup according to the inventive design;

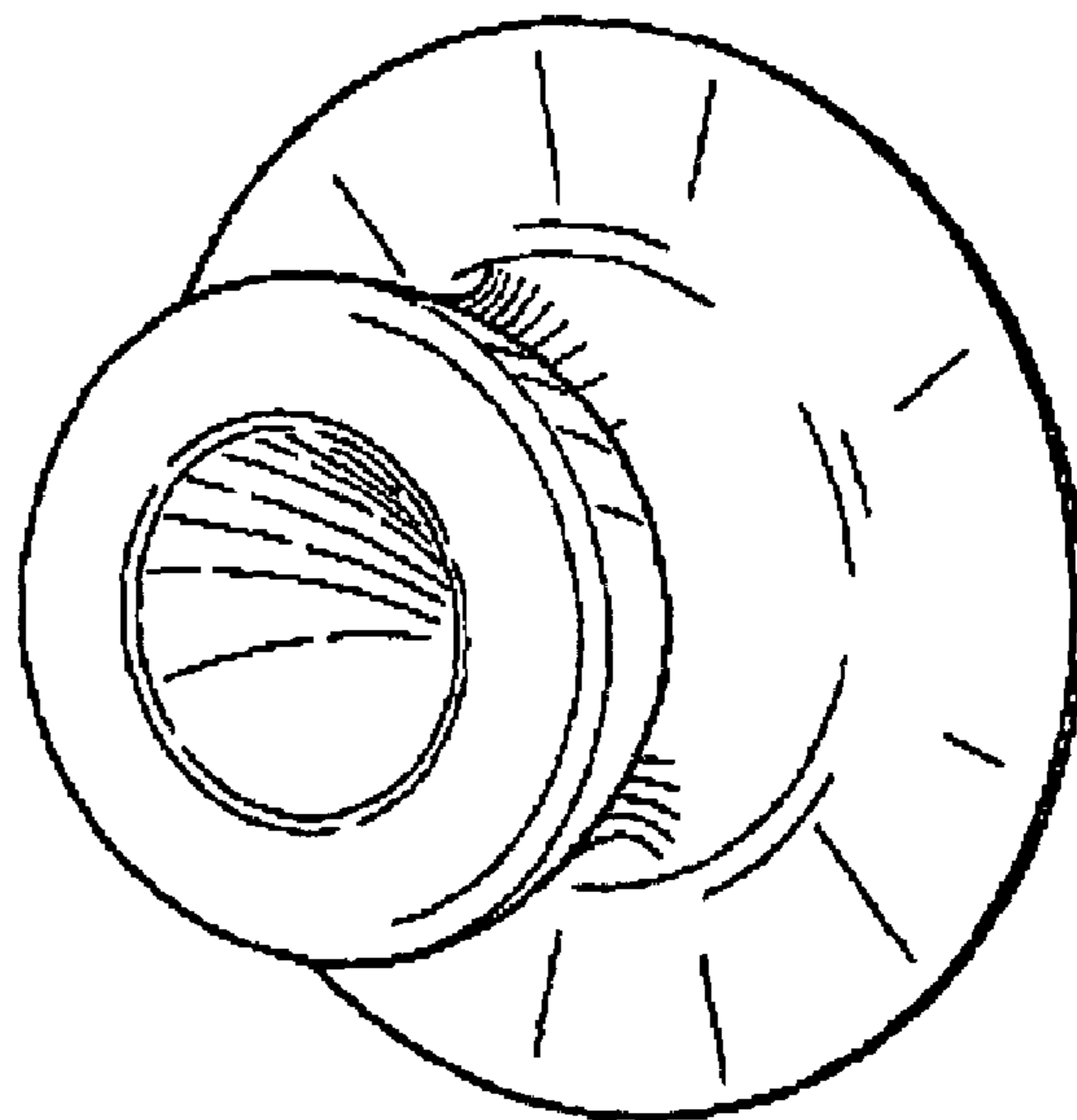
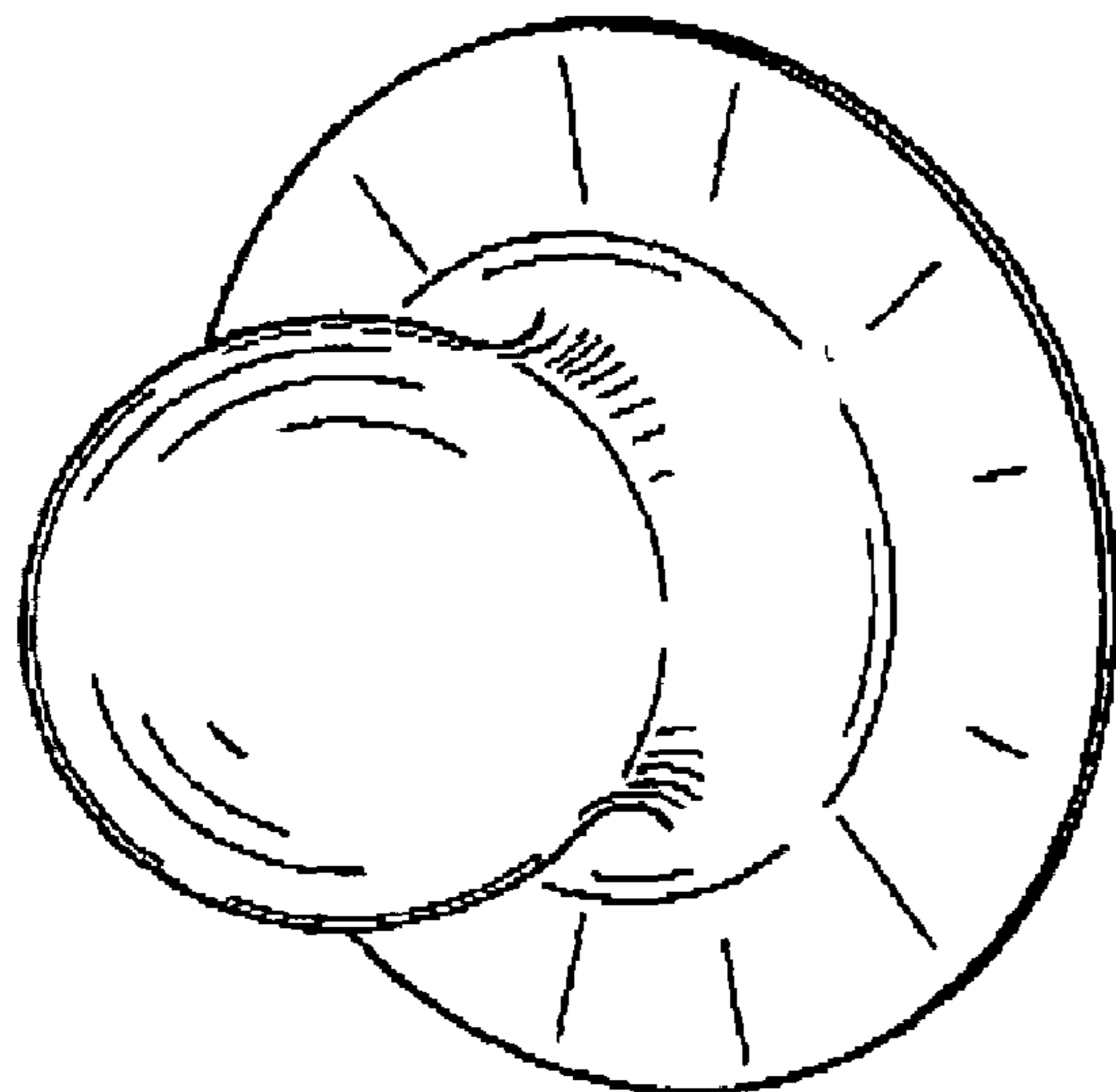
FIG. 3 is a top plan view of a suction cup according to the inventive design;

FIG. 4 is a perspective view of a suction cup according to the inventive design with the top portion depressed and in use;

FIG. 5 is an elevational view of a suction cup according to the inventive design with the top portion depressed and in use; and,

FIG. 6 is a top plan view of a suction cup according to the inventive design with the top portion depressed and in use.

**1 Claim, 3 Drawing Sheets**



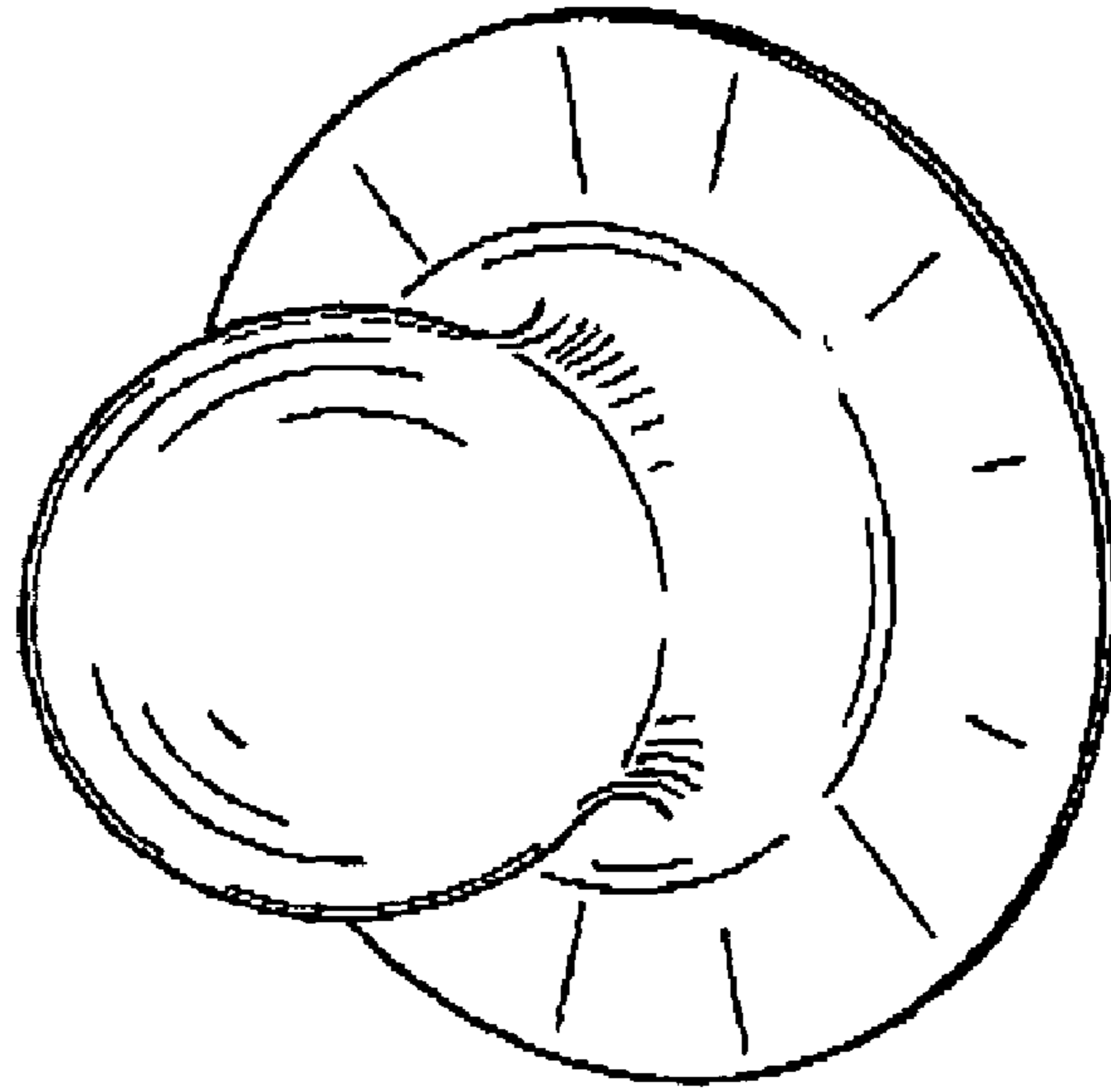


FIG. 1

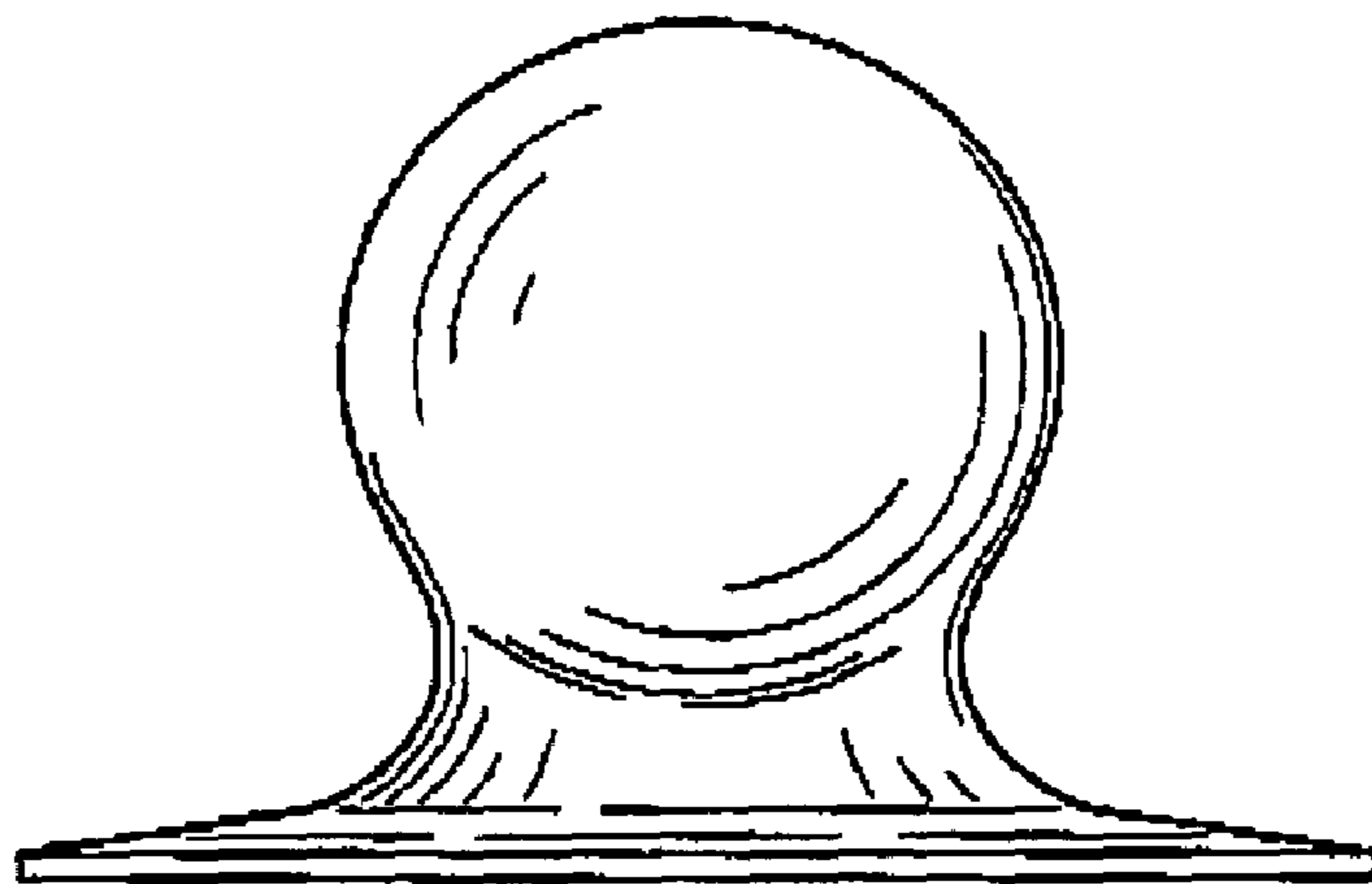
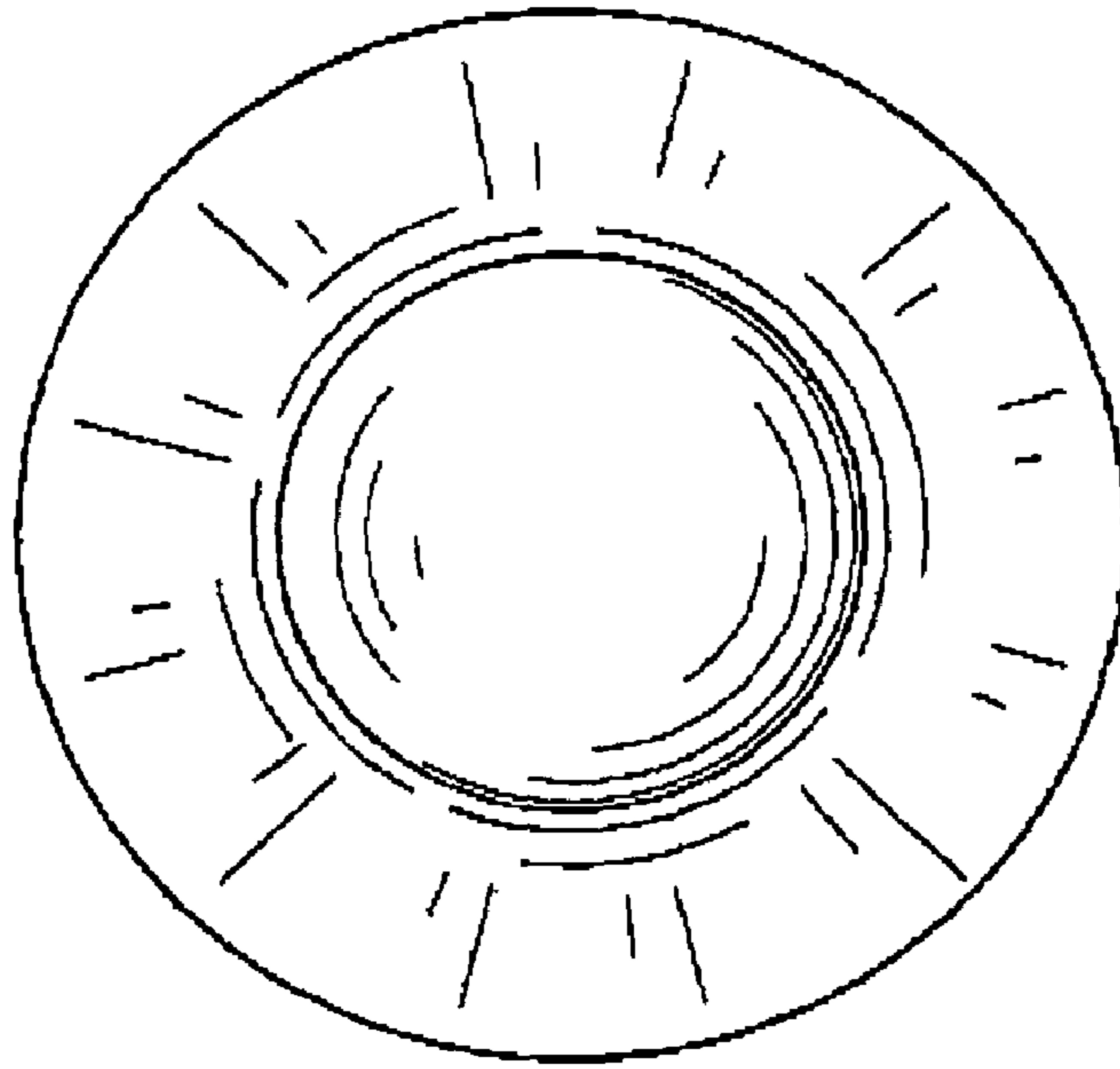
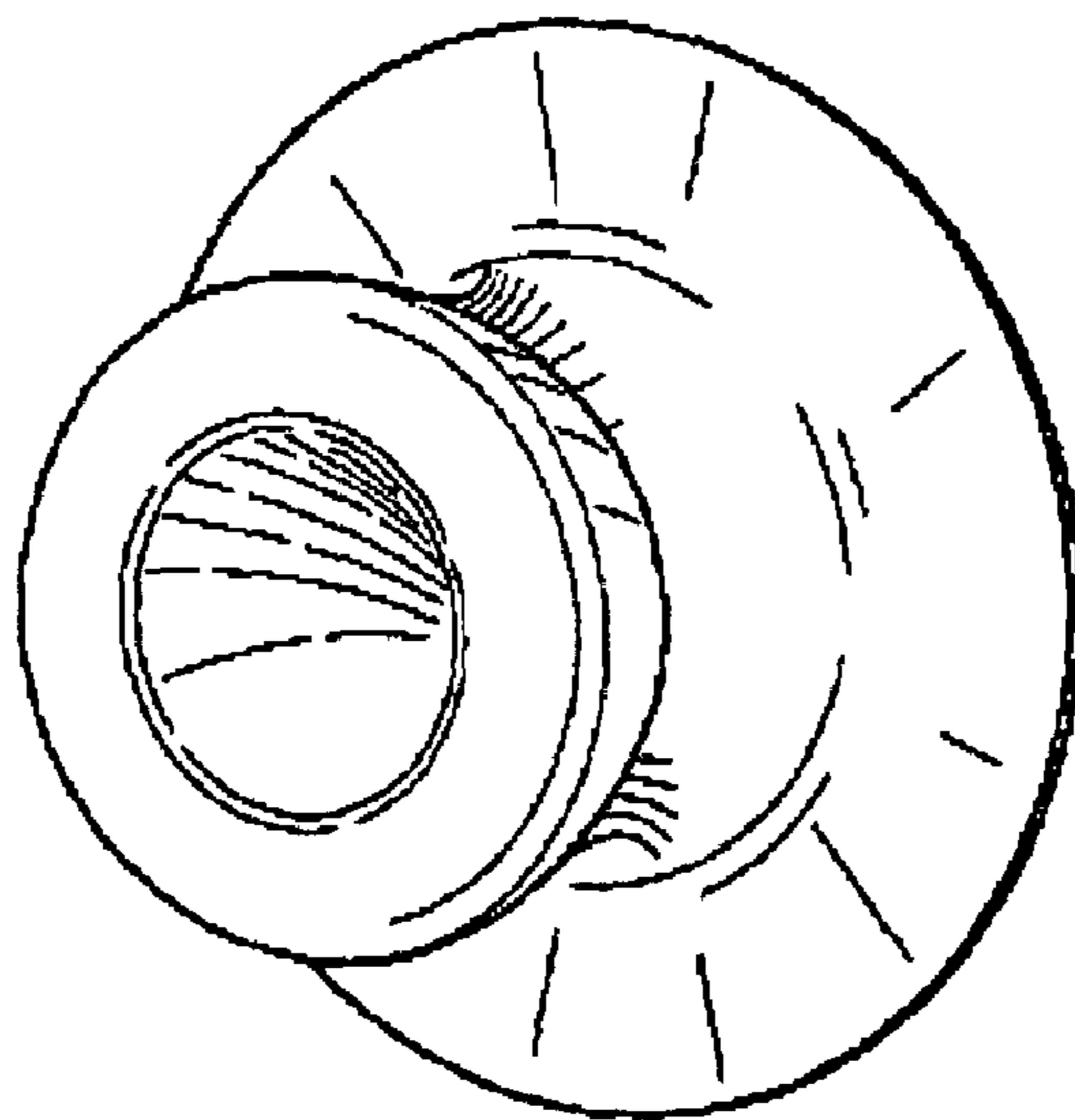


FIG. 2



**FIG. 3**



**FIG. 4**

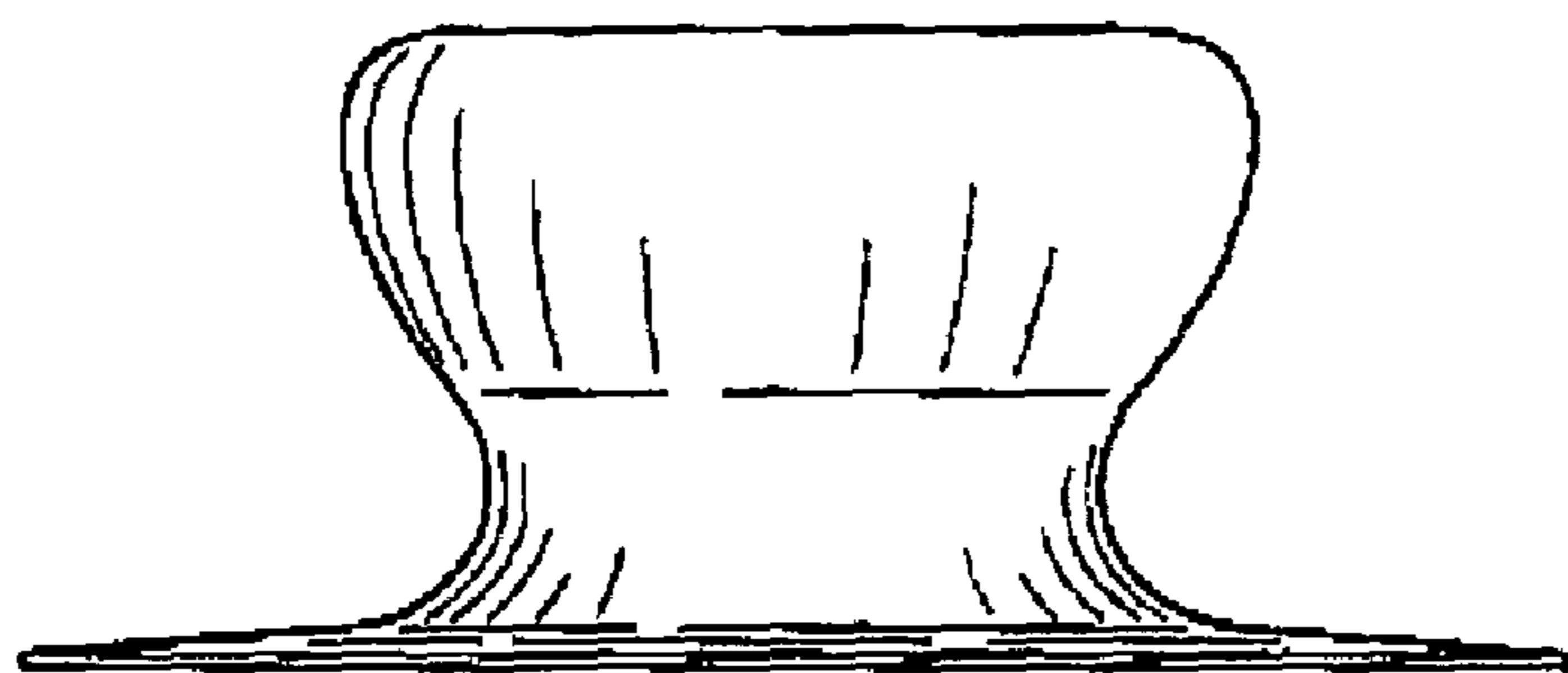


FIG. 5

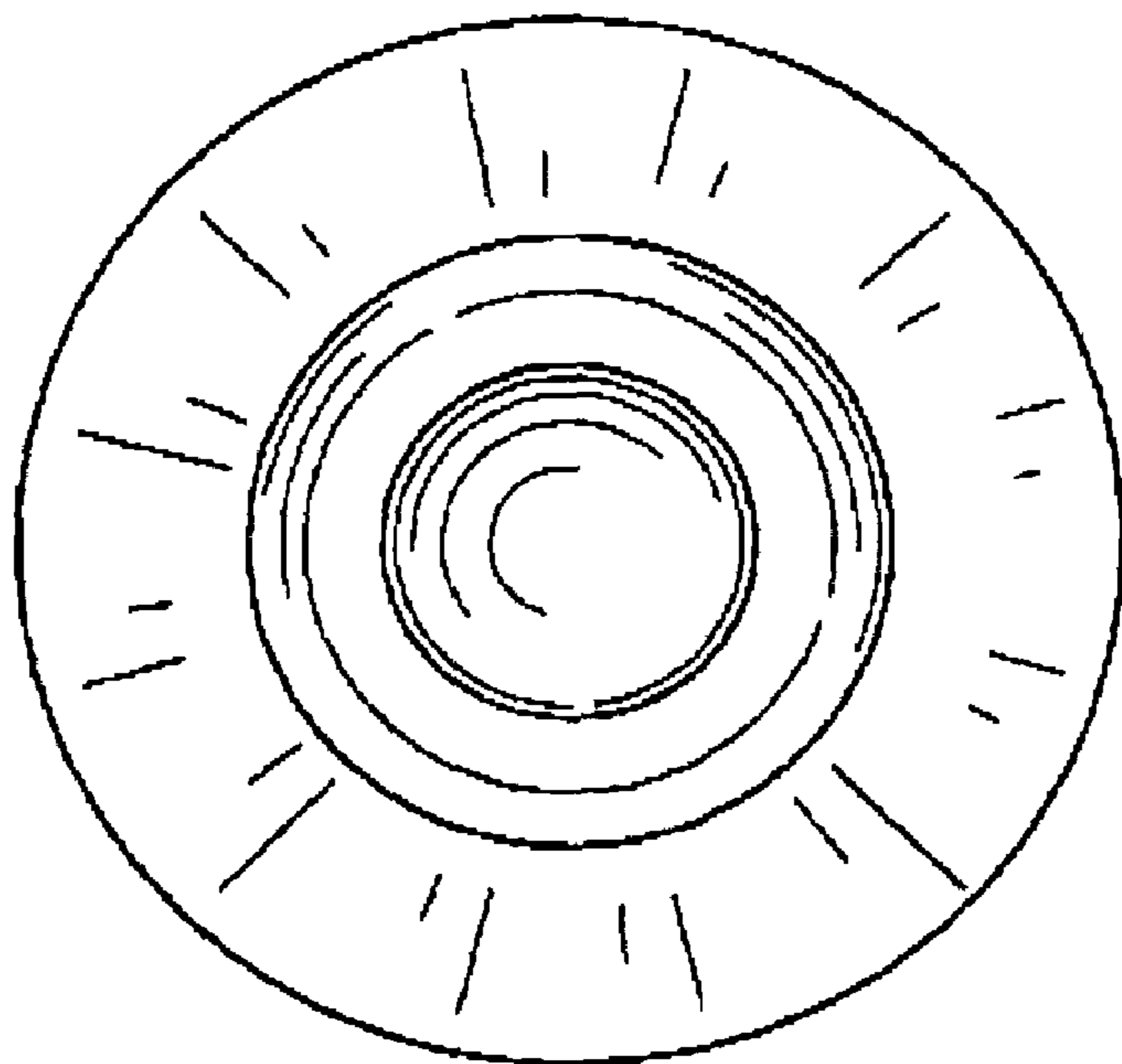


FIG. 6