



US00D578866S

(12) **United States Design Patent**
Kim

(10) **Patent No.:** **US D578,866 S**

(45) **Date of Patent:** **** Oct. 21, 2008**

(54) **ESCUTCHEON**

(75) **Inventor:** **James Kim**, Newport Beach, CA (US)

(73) **Assignee:** **Newfrey LLC**, Newark, DE (US)

(**) **Term:** **14 Years**

(21) **Appl. No.:** **29/292,753**

(22) **Filed:** **Oct. 26, 2007**

(51) **LOC (8) Cl.** **11-05**

(52) **U.S. Cl.** **D8/353; D8/350**

(58) **Field of Classification Search** D8/350–353,
D8/300, 301, 302, 308, 310, 316, 317–320;
D13/156, 177, 152, 154, 158, 173, 169, 171,
D13/139.1–139.8, 146, 147; D14/159; D25/60;
174/66, 67; 220/241, 3.92, 3.5–3.8, 242;
439/536, 535, 892; 200/303; 248/273; 292/357,
292/336.3; 70/107, 111, 402, 450, 452, DIG. 73
See application file for complete search history.

(56) **References Cited**

U.S. PATENT DOCUMENTS

1,666,731	A	4/1928	Broomhall	
1,698,761	A	1/1929	Marsden	
2,511,526	A *	6/1950	Bugge	267/159
D199,485	S *	11/1964	Parriott	D8/350
D214,615	S *	7/1969	Patriquin	D8/353
D297,805	S *	9/1988	Ortega et al.	D8/301
4,873,853	A	10/1989	Foshee	
D309,891	S *	8/1990	Cheng	D13/158
D312,565	S	12/1990	Abraham et al.	
4,982,986	A *	1/1991	Gressett et al.	292/336.3
D340,398	S	10/1993	Clancy	
D350,890	S	9/1994	Boeri	
D351,981	S	11/1994	Susani et al.	
D365,976	S *	1/1996	Chiu	D8/330
D384,266	S	9/1997	Mantarakis et al.	
D393,994	S *	5/1998	Hankel et al.	D8/302
D397,604	S	9/1998	Libby et al.	
D411,797	S *	7/1999	Schultz	D8/343
D423,326	S *	4/2000	Moon et al.	D8/353

D423,912	S *	5/2000	Moon et al.	D8/353
D427,715	S *	7/2000	Miranda	D26/142
D429,139	S *	8/2000	Ahn	D8/301
D429,142	S *	8/2000	Monge et al.	D8/350
D433,916	S	11/2000	Frey	
D437,771	S *	2/2001	Barnes et al.	D8/352
D442,467	S *	5/2001	Alvarado	D8/350
D467,784	S	12/2002	Maier	
D470,033	S *	2/2003	Fleury et al.	D8/302
D471,079	S *	3/2003	Ellis et al.	D8/350
D471,160	S *	3/2003	Mason	D13/156
D471,422	S *	3/2003	Ellis et al.	D8/301
D471,432	S *	3/2003	Ellis et al.	D8/350
D471,786	S *	3/2003	Ellis et al.	D8/350
D472,130	S *	3/2003	Ellis et al.	D8/350
D472,794	S *	4/2003	LaPlume et al.	D8/350

(Continued)

Primary Examiner—Ian Simmons

Assistant Examiner—Mark A Goodwin

(74) *Attorney, Agent, or Firm*—Ober/Kaler; Royal W. Craig

(57) **CLAIM**

The ornamental design for an escutcheon, as shown and described.

DESCRIPTION

FIG. 1 is a front side perspective view of an escutcheon according to my new design.

FIG. 2 is a front view of the escutcheon as in FIG. 1.

FIG. 3 is a top view of the escutcheon as in FIGS. 1–2.

FIG. 4 is a back view of the escutcheon as in FIGS. 1–3.

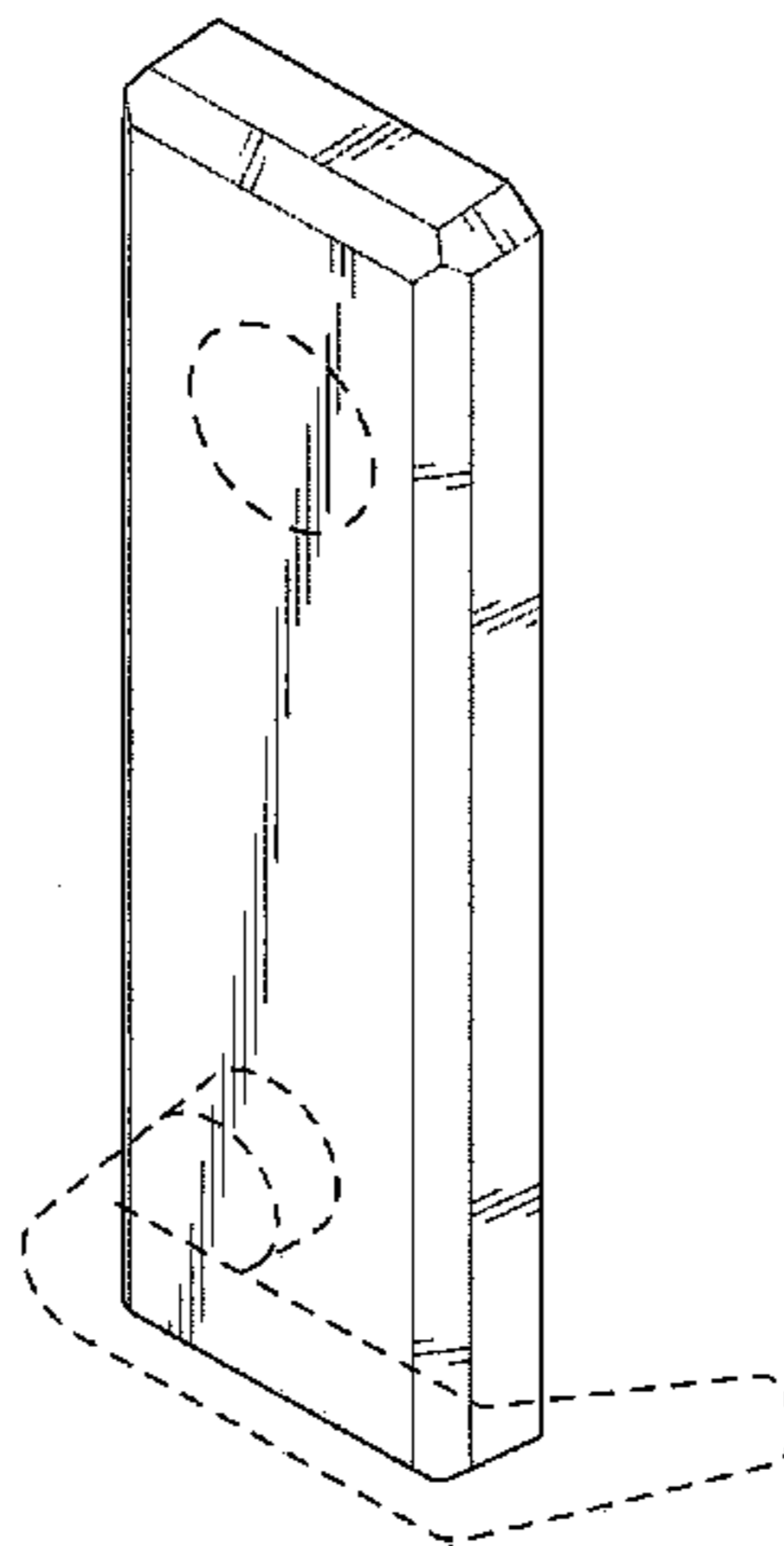
FIG. 5 is a bottom view of the escutcheon as in FIGS. 1–4.

FIG. 6 is a right side view of the escutcheon as in FIGS. 1–5; and,

FIG. 7 is a left side view of the escutcheon as in FIGS. 1–6.

The broken line showing of the handle and door lock area is included for the purpose of illustrating environmental structure only and forms no part of the claimed design.

1 Claim, 7 Drawing Sheets



US D578,866 S

Page 2

U.S. PATENT DOCUMENTS

D474,103 S *	5/2003	Kaiser et al.	D8/350	D513,469 S	1/2006	Gao et al.	
D488,703 S *	4/2004	Denys	D8/352	D518,354 S	4/2006	Veltz	
D488,995 S *	4/2004	Denys	D8/352	D552,966 S *	10/2007	Roberts et al.	D8/350
D494,841 S *	8/2004	Moon et al.	D8/352	D552,967 S *	10/2007	Roberts et al.	D8/350
6,806,426 B1 *	10/2004	Gretz	174/67	7,290,808 B2 *	11/2007	Furlong	292/336.3
D501,634 S	2/2005	Denoual		2004/0040352 A1 *	3/2004	Yu et al.	70/107

* cited by examiner

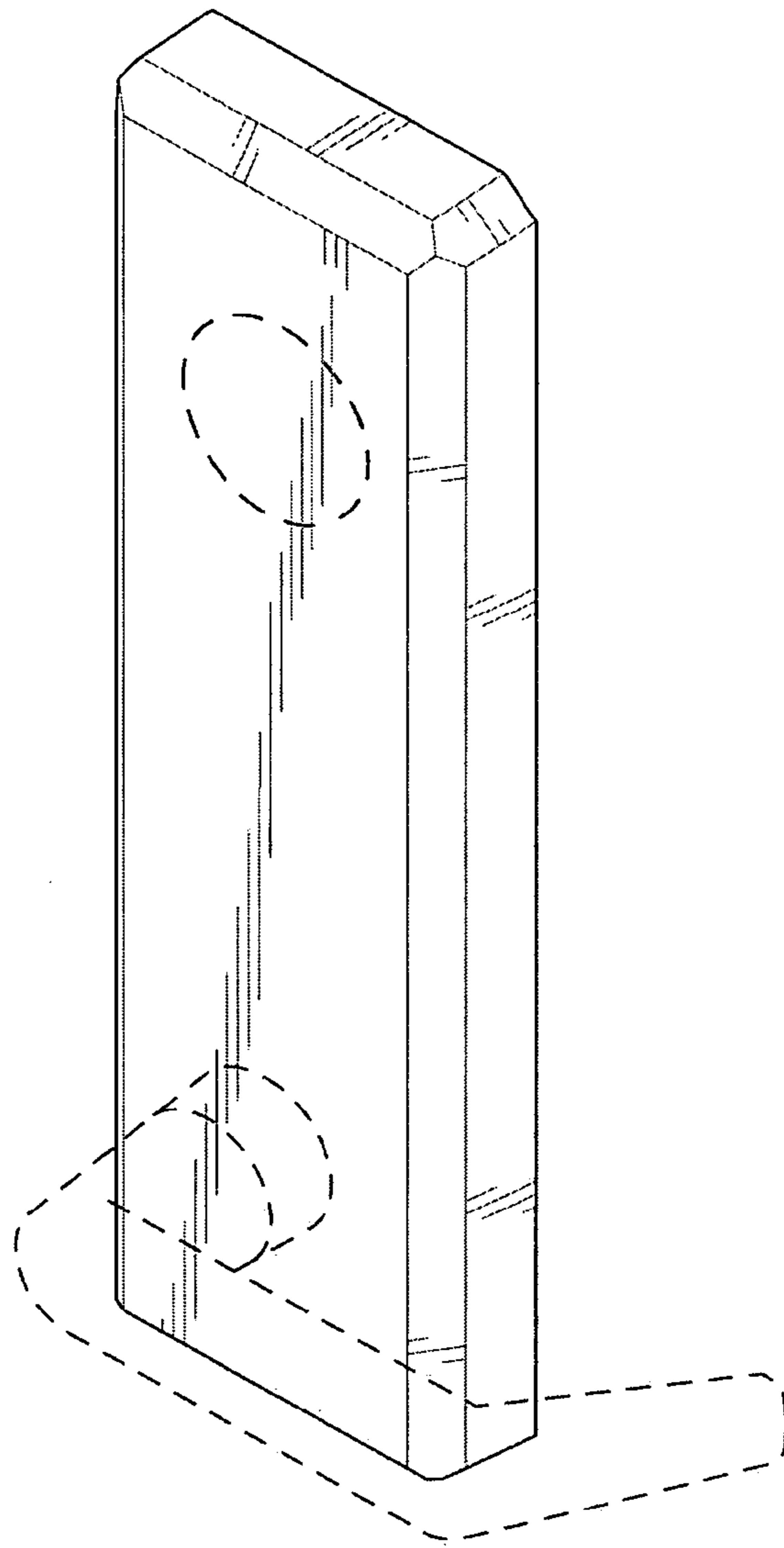


Fig. 1

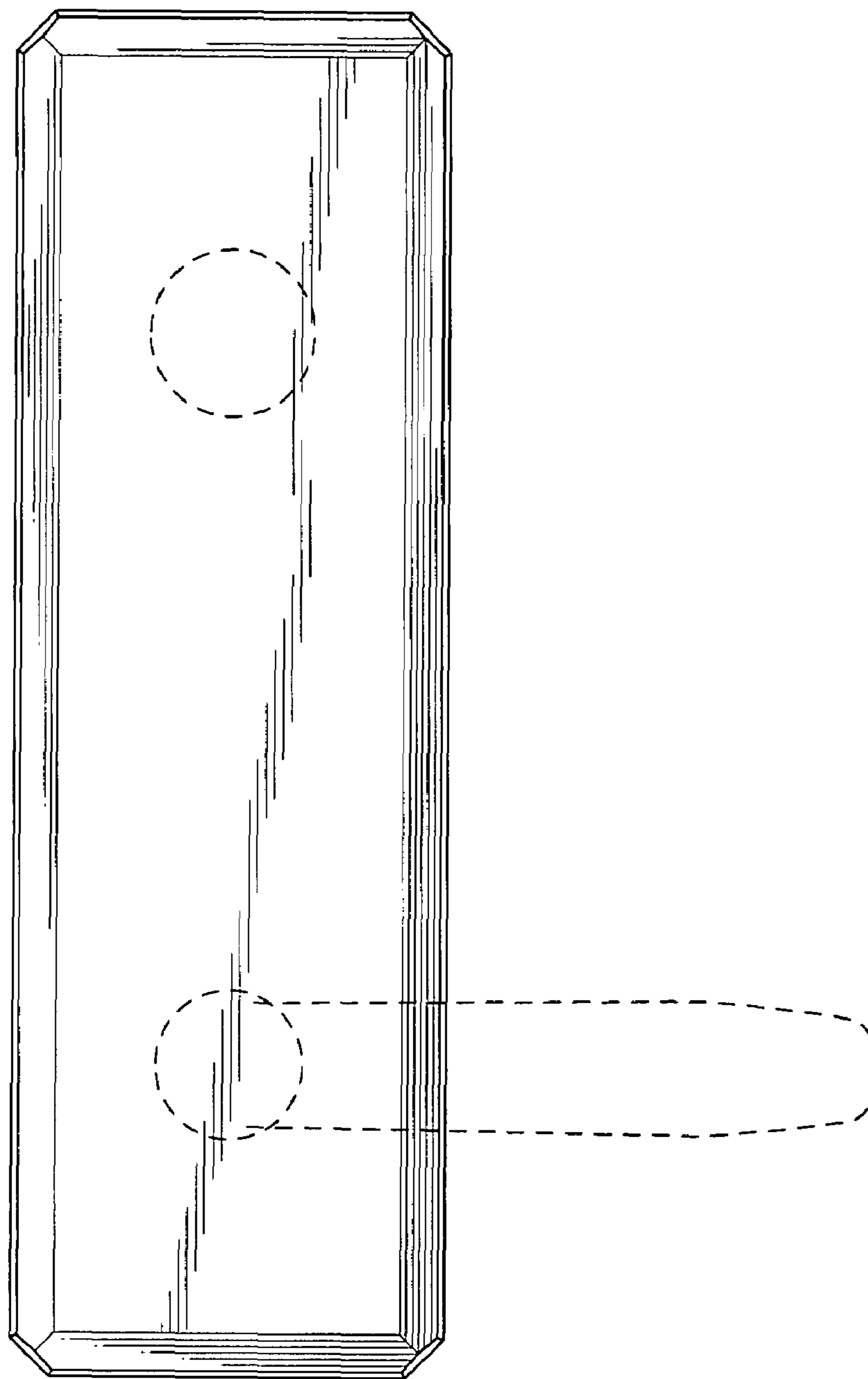


Fig. 2

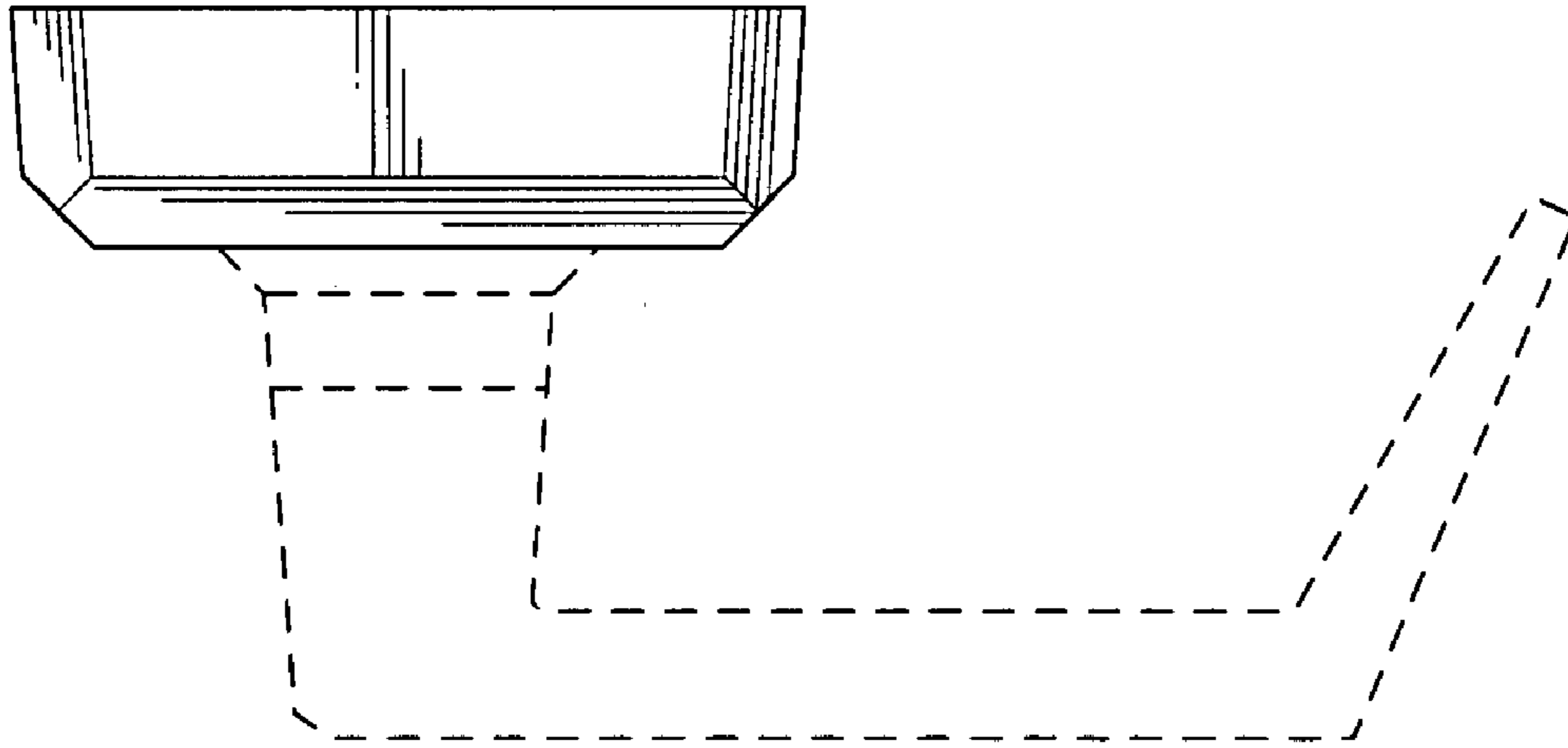


Fig. 3

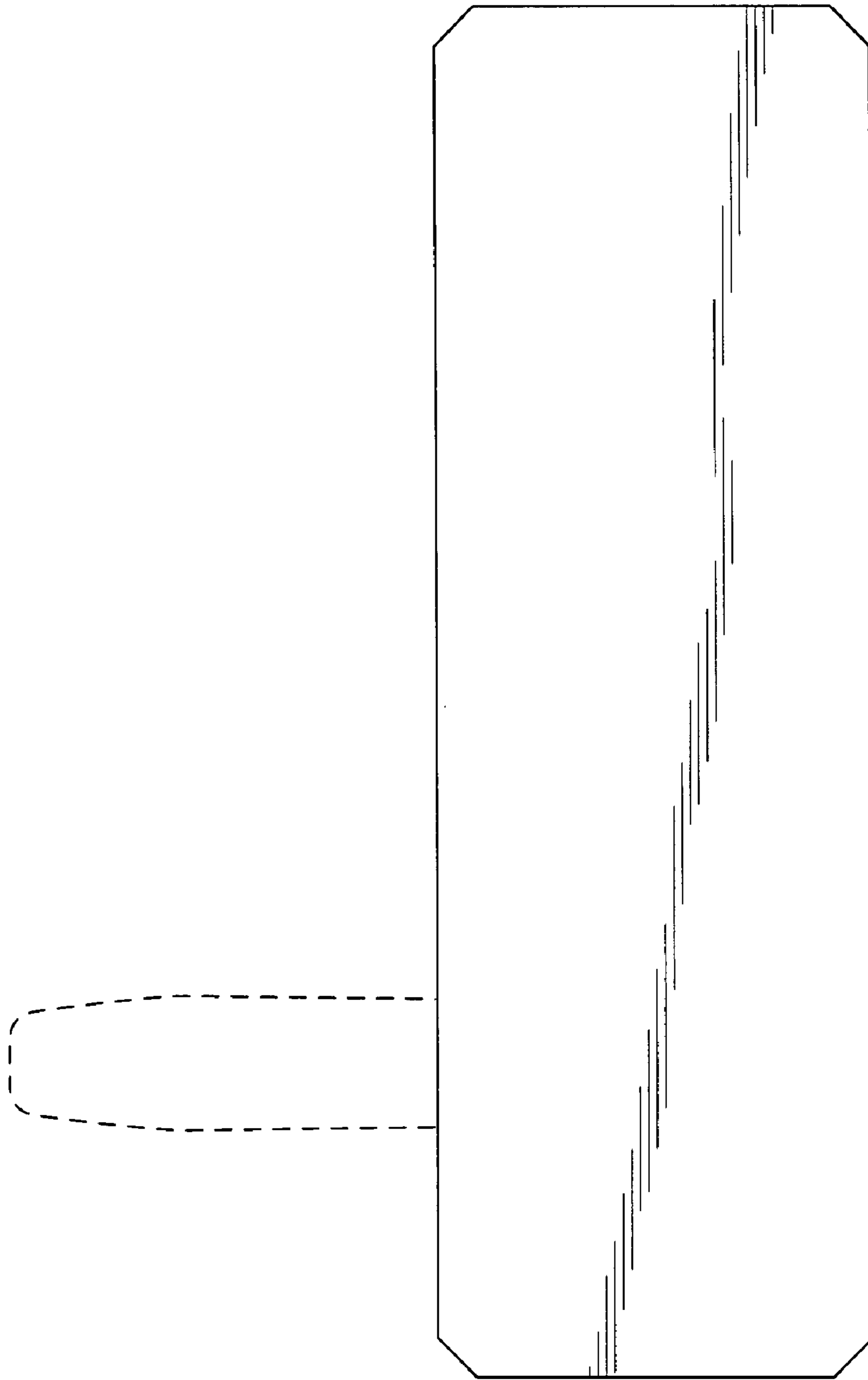


Fig. 4

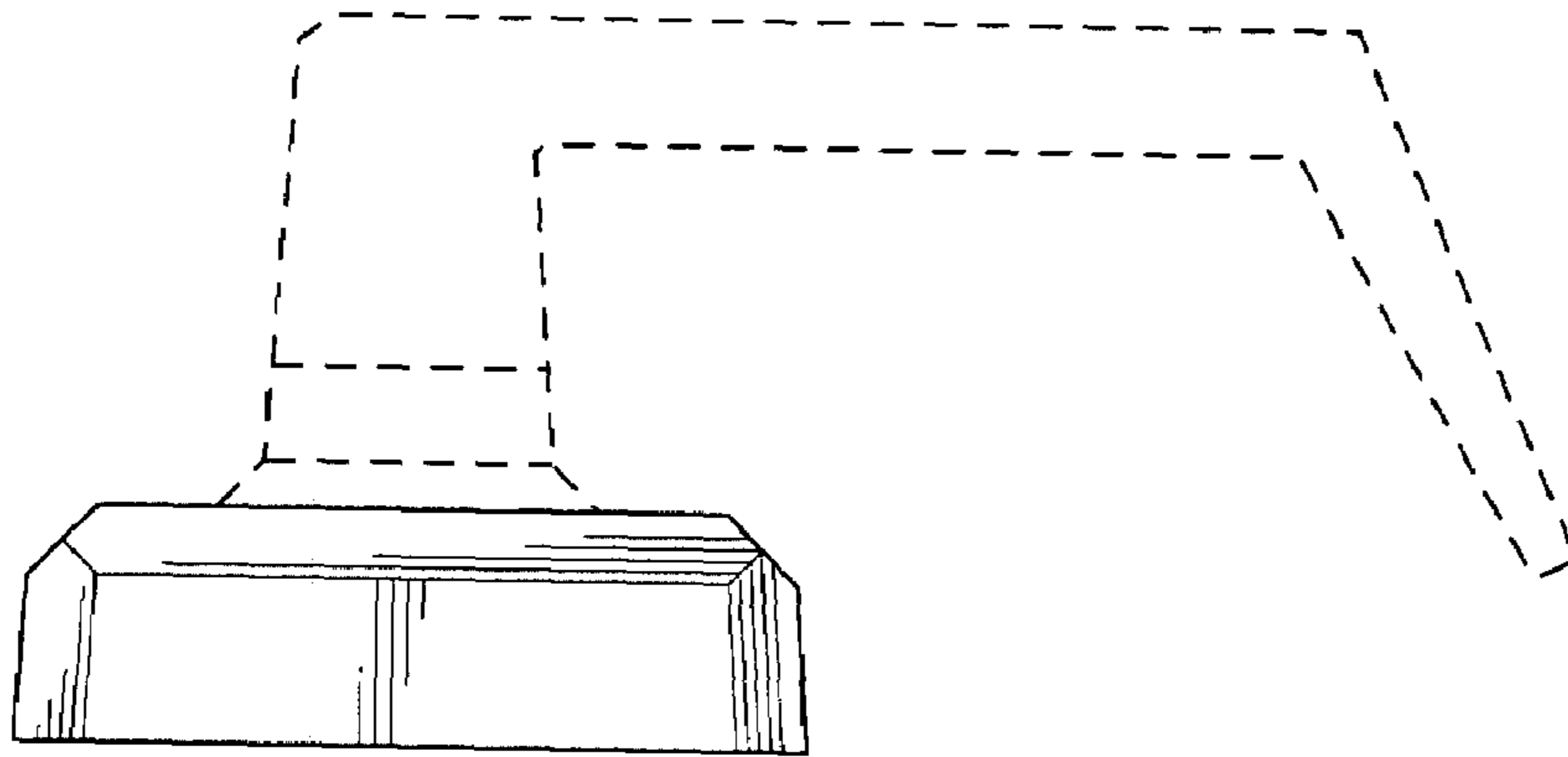


Fig. 5

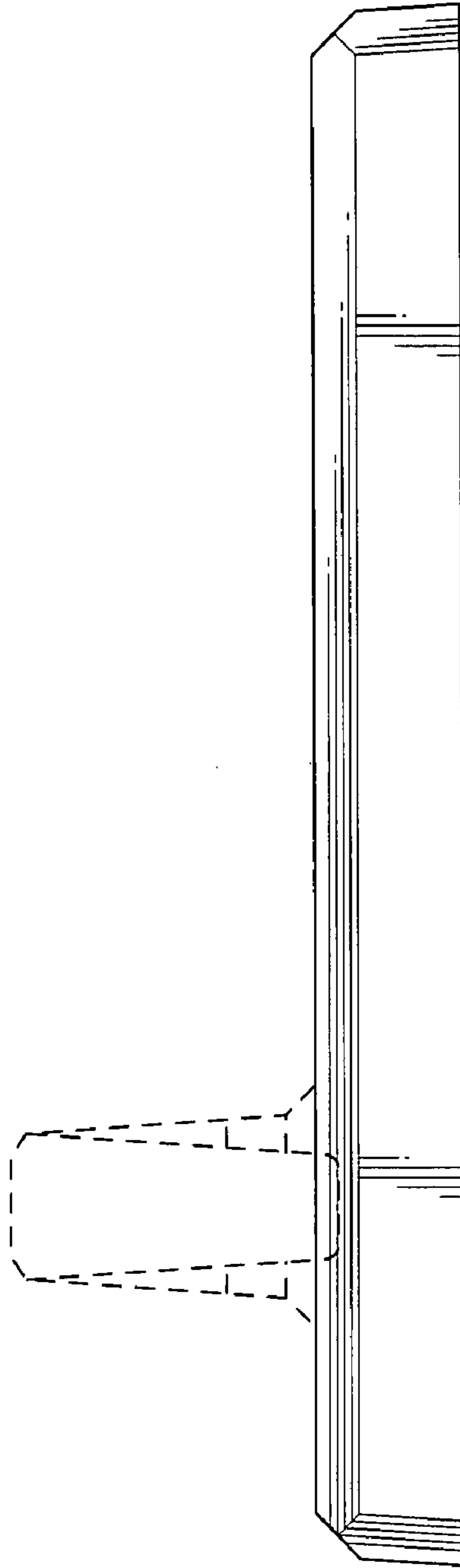


Fig. 6

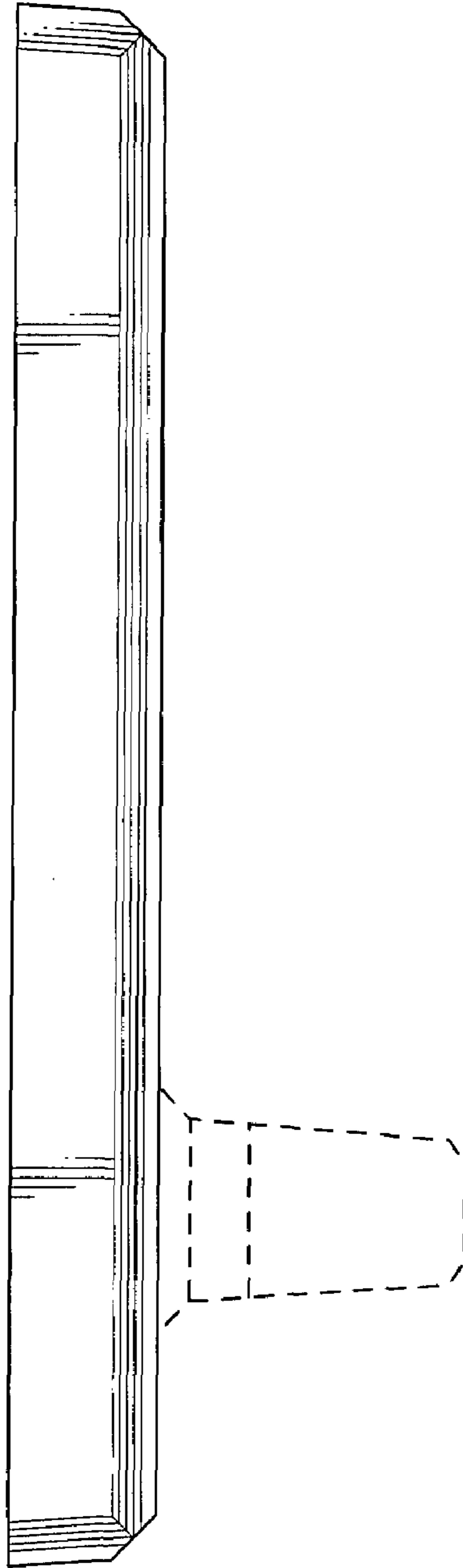


Fig. 7