



US00D578865S

(12) **United States Design Patent**  
**Zhang**

(10) **Patent No.:** **US D578,865 S**

(45) **Date of Patent:** **\*\* Oct. 21, 2008**

(54) **SASH LOCK**

(75) Inventor: **Zhukai Zhang**, Chicago, IL (US)

(73) Assignee: **Liberty Hardware Mfg. Corp.**,  
Winston-Salem, NC (US)

(\*\*) Term: **14 Years**

(21) Appl. No.: **29/286,534**

(22) Filed: **May 10, 2007**

(51) **LOC (8) Cl.** ..... **08-07**

(52) **U.S. Cl.** ..... **D8/337**

(58) **Field of Classification Search** ..... D8/337,  
D8/301, 302, 330, 331, 333, 336, 338, 339,  
D8/341, 342, 343, 344, 349; 70/86-89, 90,  
70/287, 141; 292/108, 111, 139, 145, 228,  
292/240, 241, 242, 137, 92

See application file for complete search history.

(56) **References Cited**

**U.S. PATENT DOCUMENTS**

D185,254 S *	5/1959	Ahlgren	.....	D8/337
2,997,323 A *	8/1961	Riser	.....	292/111
3,811,718 A *	5/1974	Bates	.....	292/241
D268,643 S *	4/1983	Anderson	.....	D8/337
D293,548 S *	1/1988	Bates et al.	.....	D8/337
D295,948 S *	5/1988	Mandell	.....	D8/337
D302,651 S *	8/1989	Mosch	.....	D8/337

D418,737 S *	1/2000	Libby et al.	.....	D8/337
D442,058 S *	5/2001	Miller et al.	.....	D8/337
6,983,963 B2 *	1/2006	Eslick et al.	.....	292/242
7,017,957 B2 *	3/2006	Murphy et al.	.....	292/241
2003/0155777 A1 *	8/2003	Eslick et al.	.....	292/108

\* cited by examiner

*Primary Examiner*—Prabhakar Deshmukh

*Assistant Examiner*—Derrick Holland

(74) *Attorney, Agent, or Firm*—Edgar A. Zarins; Lloyd D. Doigan

(57) **CLAIM**

The ornamental design for a sash lock, as shown and described.

**DESCRIPTION**

FIG. 1 is a perspective view of a sash lock showing my new design;

FIG. 2 is a first side view thereof;

FIG. 3 is a second side view thereof;

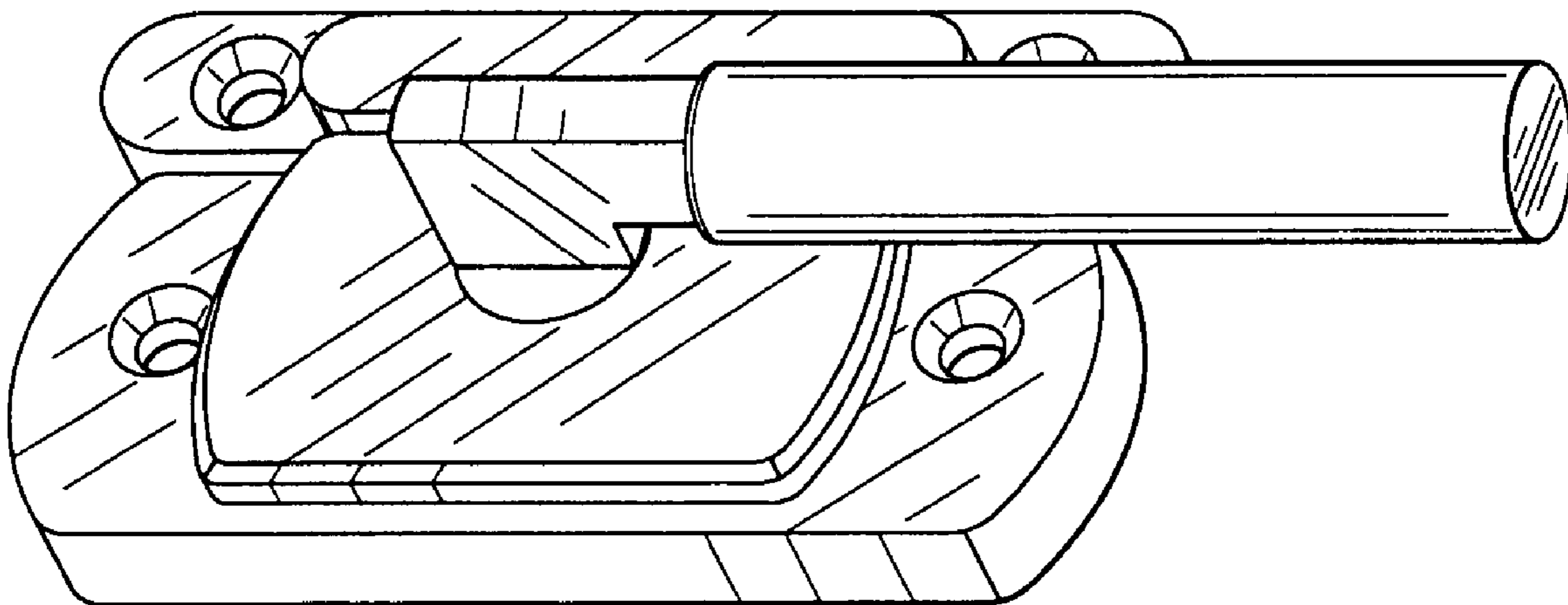
FIG. 4 is a top plan view thereof;

FIG. 5 is a first end view thereof; and,

FIG. 6 is a second end view thereof.

The broken lines showing are for illustrative purposes and form no part of the claimed design.

**1 Claim, 2 Drawing Sheets**



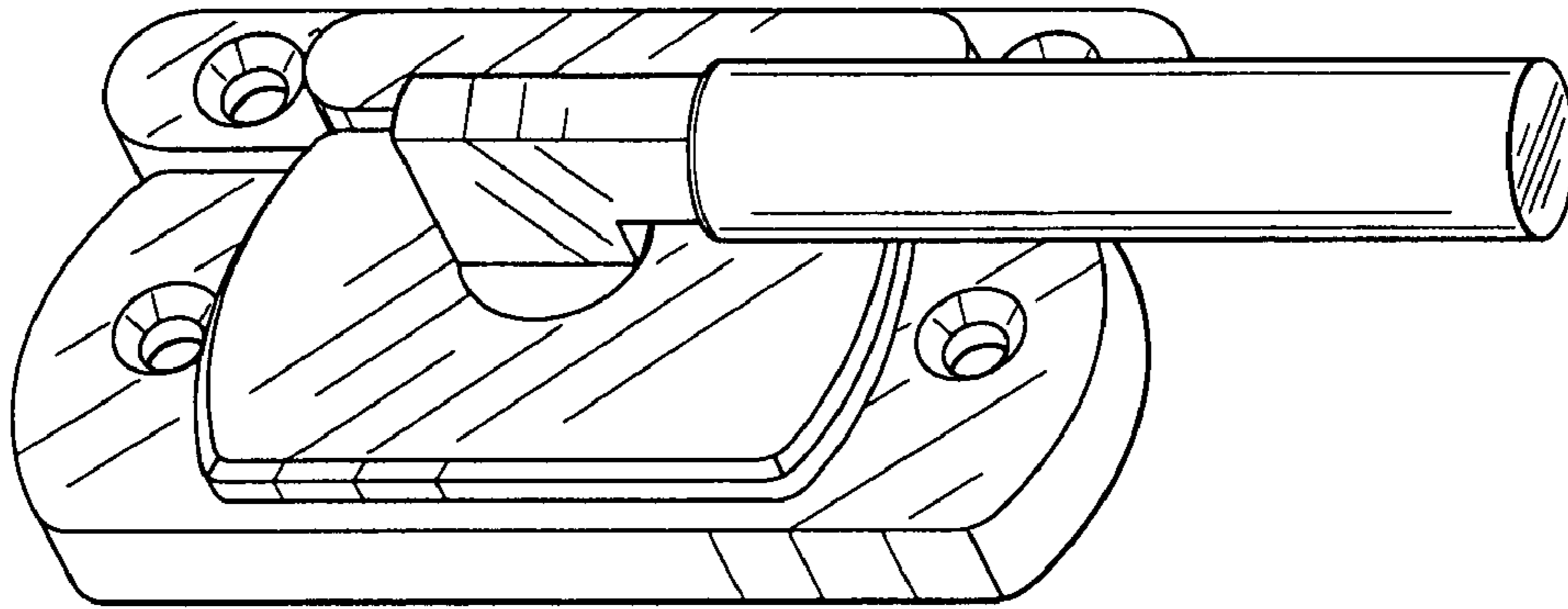


Fig-1

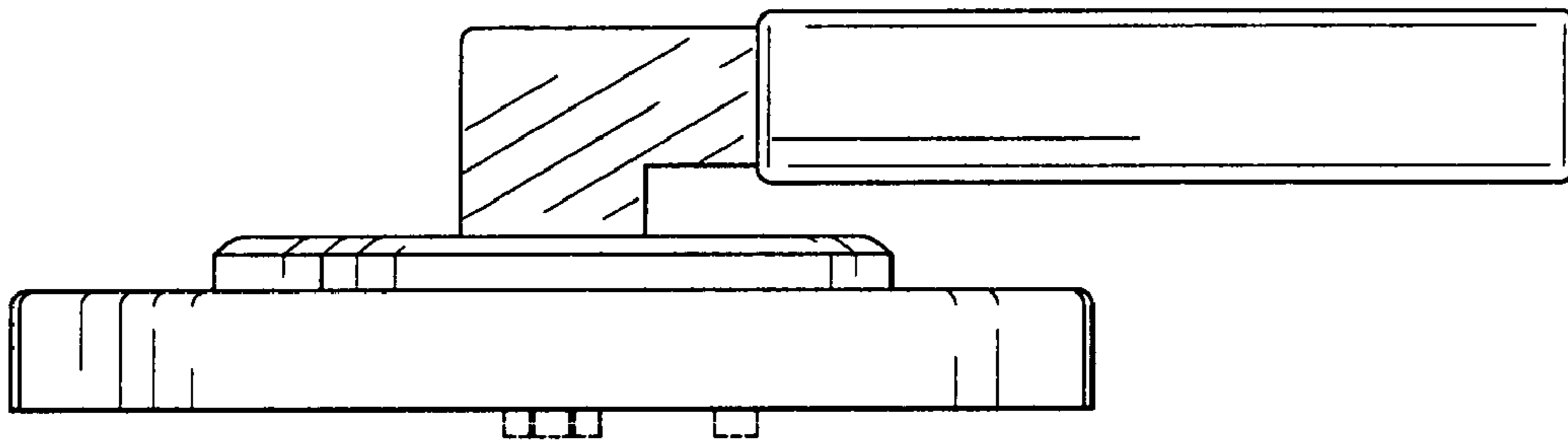


Fig-2

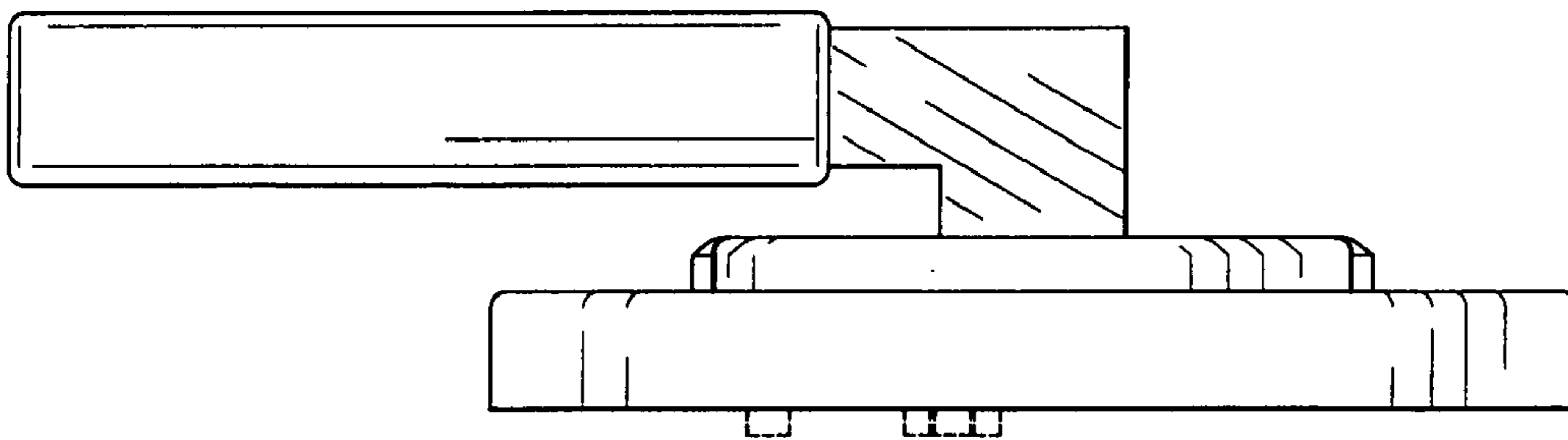


Fig-3

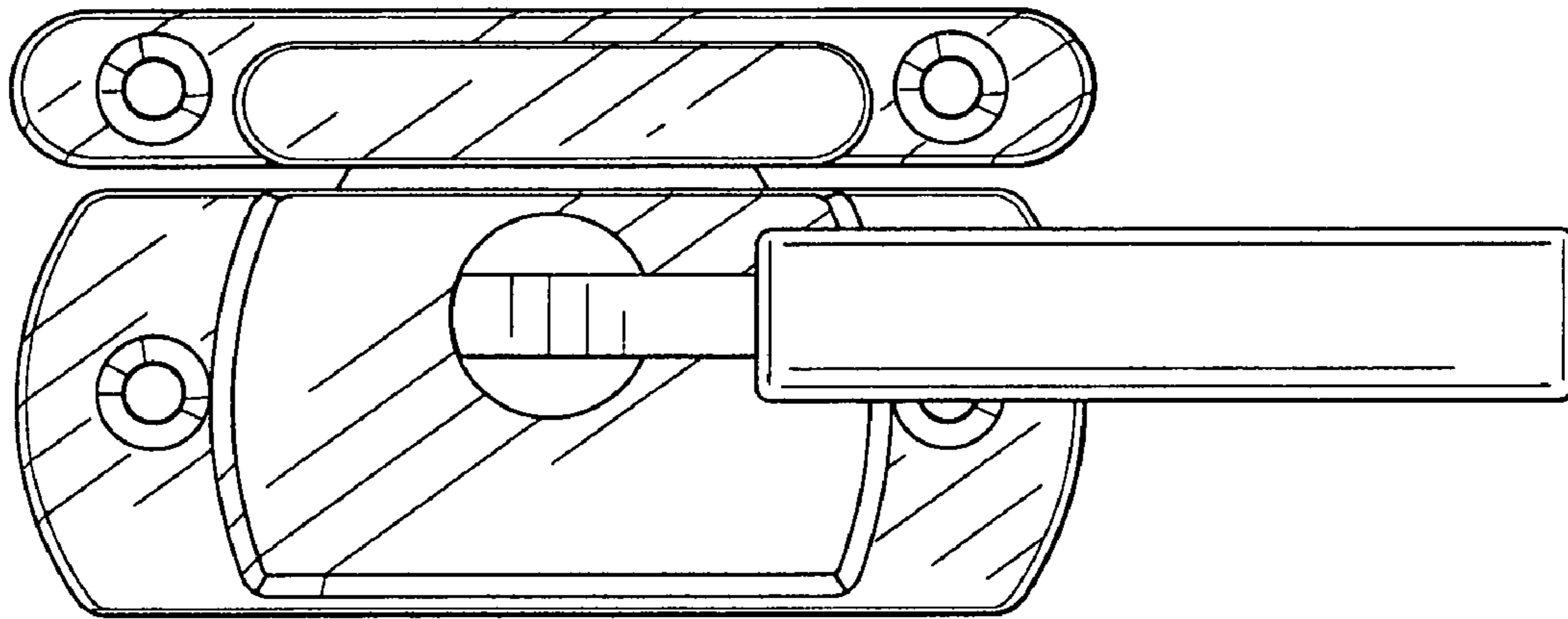


Fig-4

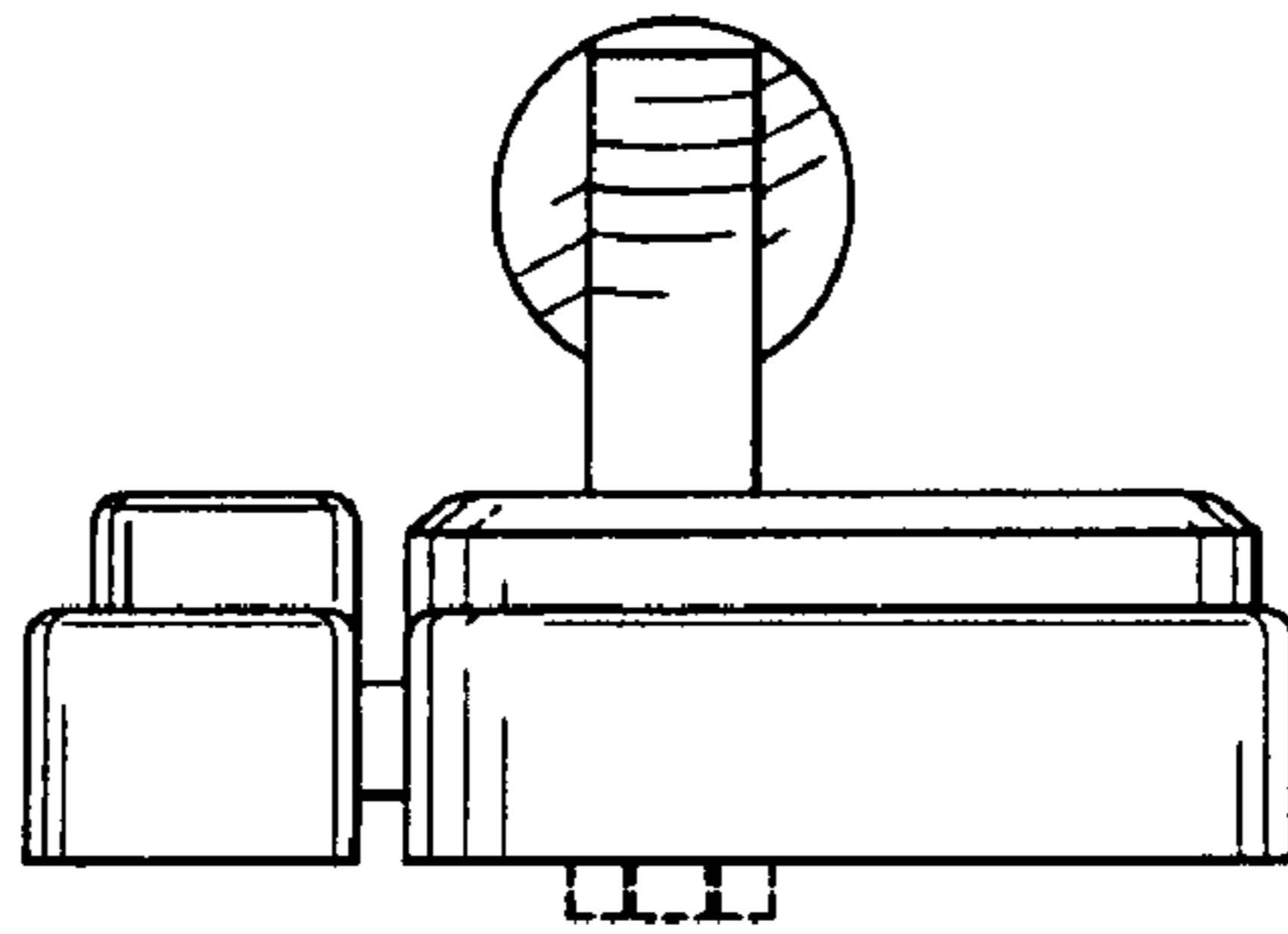


Fig-5

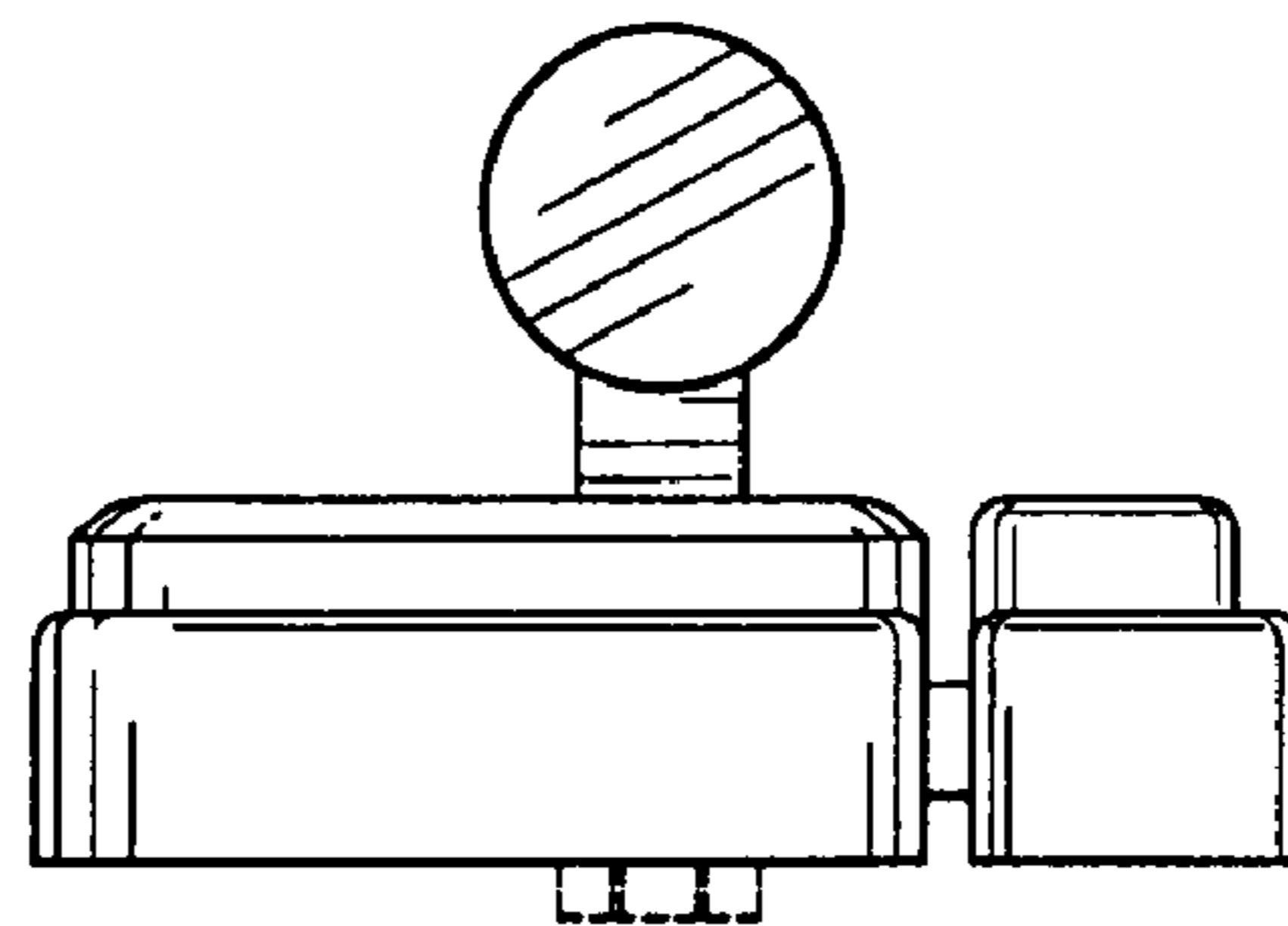


Fig-6