



US00D578864S

(12) **United States Design Patent**  
**Rohde et al.**

(10) **Patent No.:** **US D578,864 S**  
(45) **Date of Patent:** **\*\* Oct. 21, 2008**

(54) **LOCK**

(75) Inventors: **Christopher Rohde**, West Allis, WI (US); **John Blomstrom**, DePere, WI (US); **Jesse Marcelle**, Muskego, WI (US); **Scott Stevens**, Cudahy, WI (US)

(73) Assignee: **Master Lock Company LLC**, Oak Creek, WI (US)

(\*\*) Term: **14 Years**

(21) Appl. No.: **29/285,864**

(22) Filed: **Apr. 13, 2007**

(51) **LOC (8) Cl.** ..... **08-07**

(52) **U.S. Cl.** ..... **D8/334; D8/343; D8/346**

(58) **Field of Classification Search** ..... D8/330, D8/331, 334, 336, 343, 346; 70/14, 20, 24, 70/25, 31, 35, 38 A, 51-56, 91, 141, DIG. 3, 70/DIG. 4, DIG. 43, DIG. 56  
See application file for complete search history.

(56) **References Cited**

**U.S. PATENT DOCUMENTS**

526,740 A	10/1894	Rapaport	
568,701 A	9/1896	Roberts	
D32,638 S	5/1900	Voight	
661,560 A	11/1900	Stall	
666,231 A	1/1901	Lawson	
767,004 A	8/1904	Muchowicz	
1,016,455 A	2/1912	Stone	
1,455,770 A	5/1923	Anderson	
1,490,987 A	4/1924	Soref	
1,629,388 A	5/1927	Jackson	
1,777,424 A	10/1930	Thomas	
3,395,555 A	8/1968	Hickman	
D212,170 S	9/1968	Owen et al.	
3,453,758 A	7/1969	Soref	
3,626,729 A	12/1971	Fane	
3,750,431 A *	8/1973	Atkinson	70/21
3,830,085 A	8/1974	Gerlach	
3,983,725 A	10/1976	Manuel	
4,224,813 A	9/1980	Hampton	

4,226,100 A	10/1980	Hampton et al.	
4,317,344 A	3/1982	Barnard	
5,253,496 A	10/1993	Wang	
D352,223 S	11/1994	Shieh	
5,372,019 A	12/1994	Hsiao	
D360,125 S	7/1995	Taylor	
D392,540 S	3/1998	McDaid	
5,727,405 A	3/1998	Cromwell	
D395,224 S	6/1998	Turner	
5,761,935 A *	6/1998	Adelmeyer	70/55
D400,078 S	10/1998	Adelmeyer	

(Continued)

**OTHER PUBLICATIONS**

Loklex Catalog, 1995, front page.

(Continued)

*Primary Examiner*—Prabhakar Deshmukh  
(74) *Attorney, Agent, or Firm*—Calfee, Halter & Griswold LLP

(57) **CLAIM**

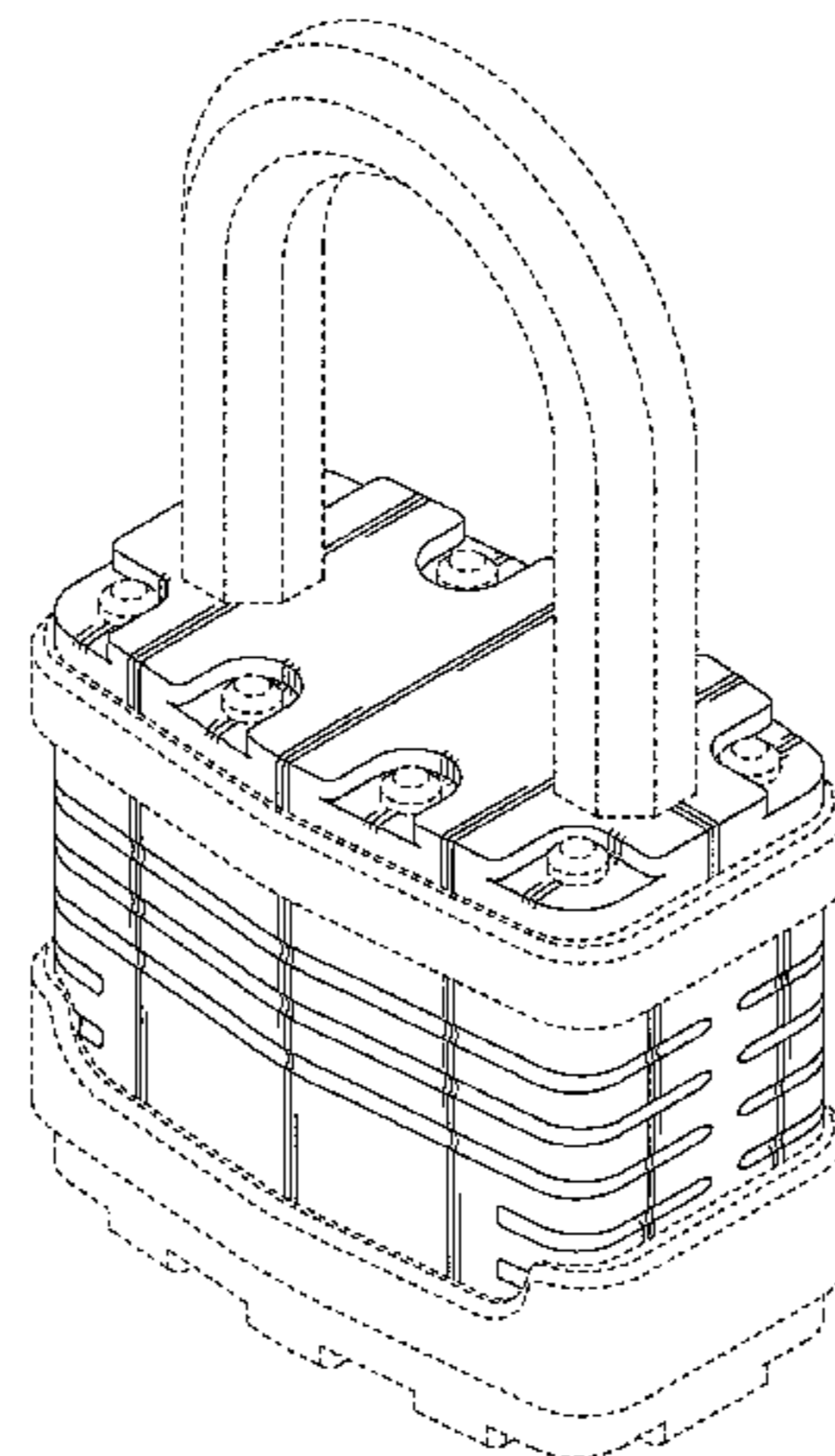
The ornamental design for a lock, as shown and described.

**DESCRIPTION**

FIG. 1 is a perspective view of a lock showing our new design; FIG. 2 is a top plan view thereof; FIG. 3 is a front elevational view thereof; FIG. 4 is a rear elevational view thereof; FIG. 5 is a bottom plan view thereof; FIG. 6 is a right side elevational view thereof; and, FIG. 7 is a left side elevational view thereof.

The broken lines which define the bounds of the claimed design, form no part thereof. The broken lines environmental are for illustrative purpose only and form no part of the claimed design.

**1 Claim, 4 Drawing Sheets**



# US D578,864 S

Page 2

## U.S. PATENT DOCUMENTS

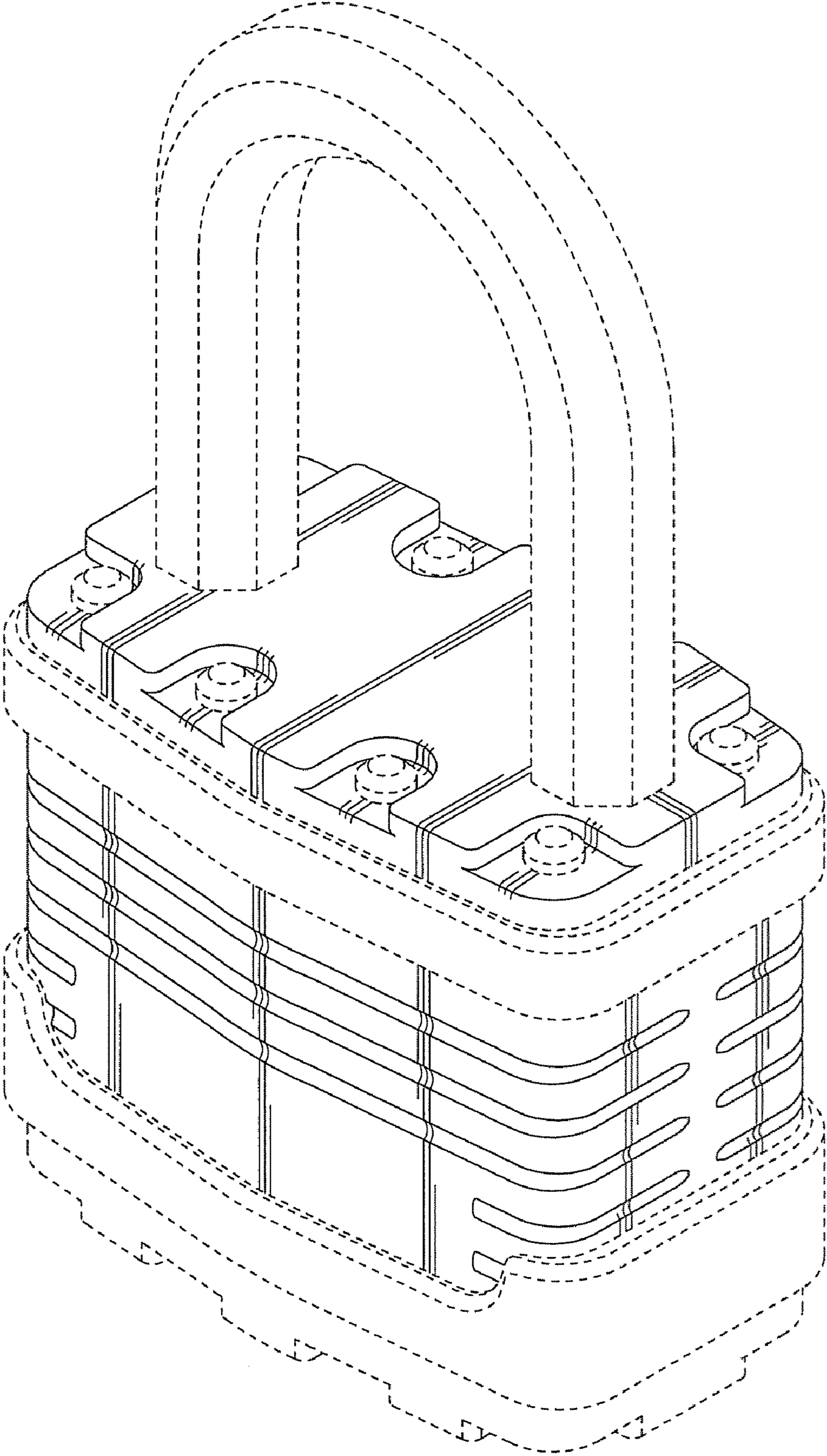
D402,532 S 12/1998 Turner  
D406,044 S 2/1999 Turner  
D408,261 S 4/1999 Gregory  
D408,262 S 4/1999 Liu  
D423,324 S 4/2000 Liu  
D433,310 S 11/2000 Luquire  
D433,311 S 11/2000 Luquire  
D442,059 S \* 5/2001 Turner ..... D8/346  
D454,486 S 3/2002 Streibel  
6,530,248 B1 3/2003 Parker  
6,539,754 B1 \* 4/2003 Fang ..... 70/52  
D484,391 S 12/2003 Hackbarth et al.  
D484,777 S 1/2004 Ruan  
D486,721 S 2/2004 Ling  
6,705,134 B2 \* 3/2004 Miranda ..... 70/52  
6,708,533 B2 \* 3/2004 Lavikainen et al. .... 70/38 A  
D489,244 S 5/2004 Vito  
D491,044 S 6/2004 Vito  
6,769,277 B1 \* 8/2004 Chang ..... 70/52  
6,813,914 B2 \* 11/2004 Chen ..... 70/50

D516,896 S \* 3/2006 Kearns et al. .... D8/334  
D520,339 S 5/2006 Heppner  
D524,145 S 7/2006 Heppner  
D528,401 S 9/2006 Ruan  
D528,402 S 9/2006 Ruan  
D529,368 S 10/2006 Ruan  
D529,369 S 10/2006 Ruan  
D529,786 S 10/2006 Heppner  
D533,764 S 12/2006 Heppner  
D537,320 S 2/2007 Kearns et al.  
D537,703 S 3/2007 Kearns et al.  
D541,631 S 5/2007 Heppner  
D547,161 S \* 7/2007 Blomstrom et al. .... D8/334  
D558,025 S \* 12/2007 Rohde et al. .... D8/334

## OTHER PUBLICATIONS

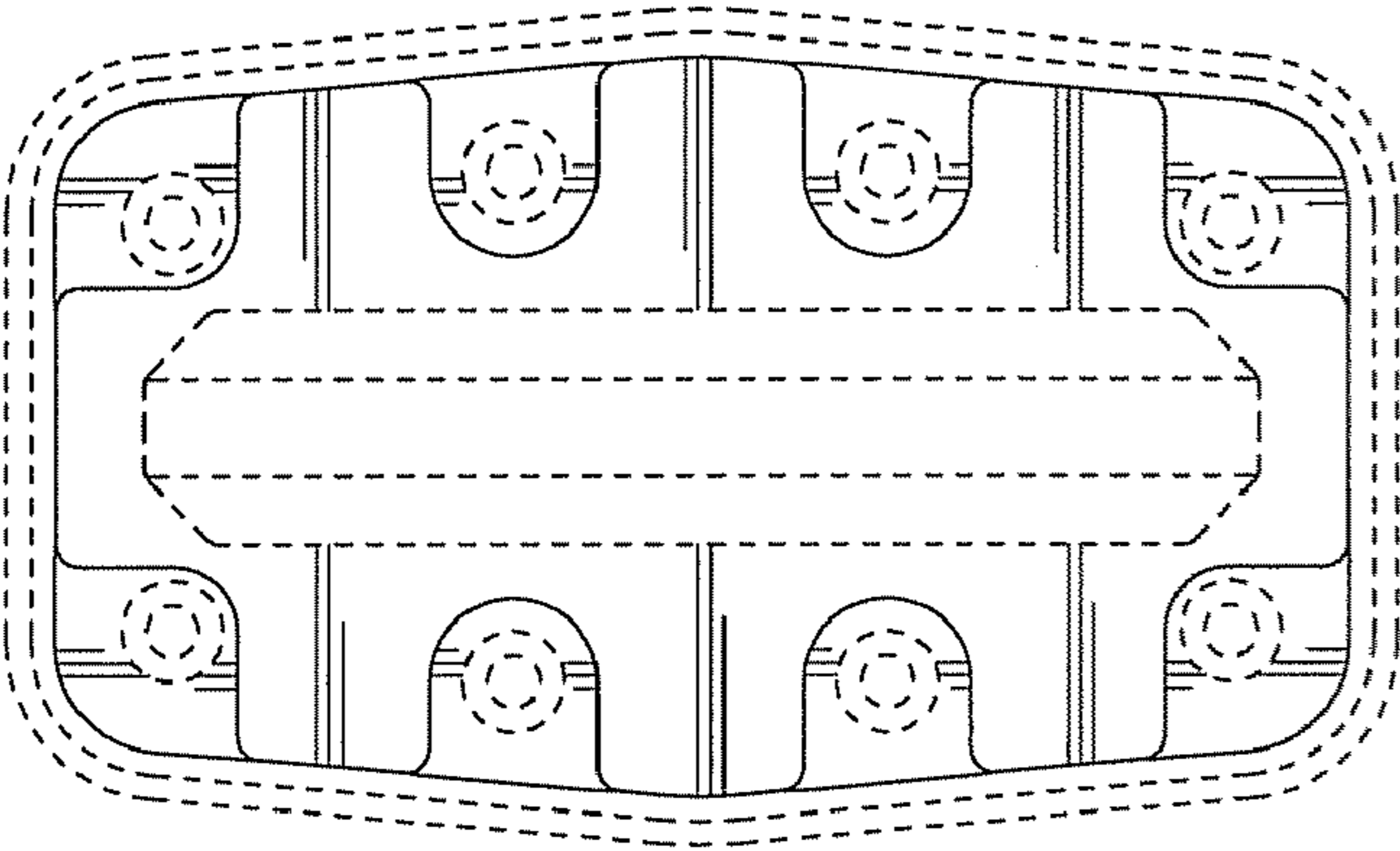
New Zealand Search Report, Application No. 408162, dated Oct. 5, 2006, pp. 2.  
RCD Information on OHIM 00007244-0002, dated Nov. 30, 2006, <http://oamieuropeau/RDCOOnline/Request Manager>, pp. 4.

\* cited by examiner

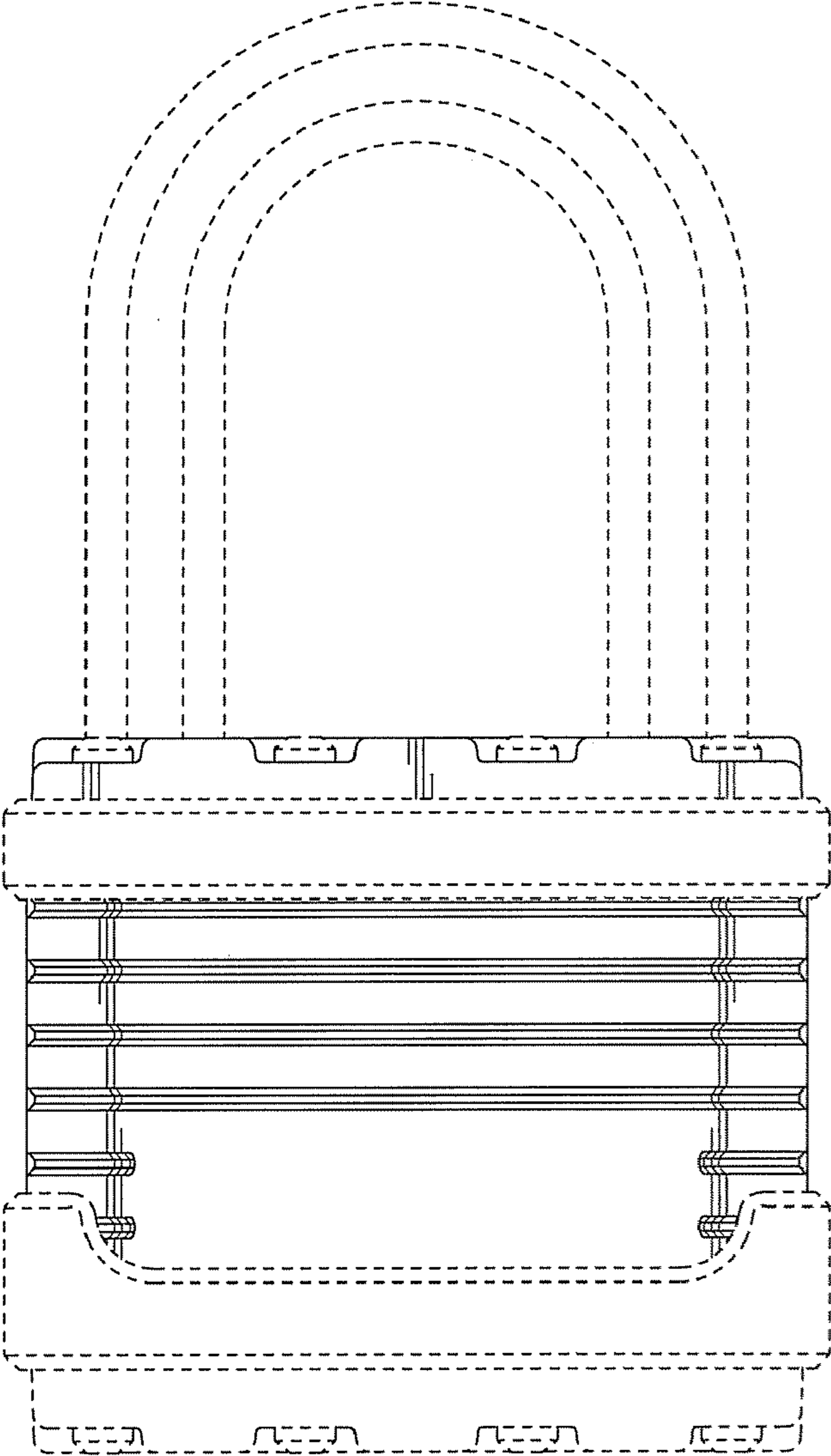


**FIG. 1**

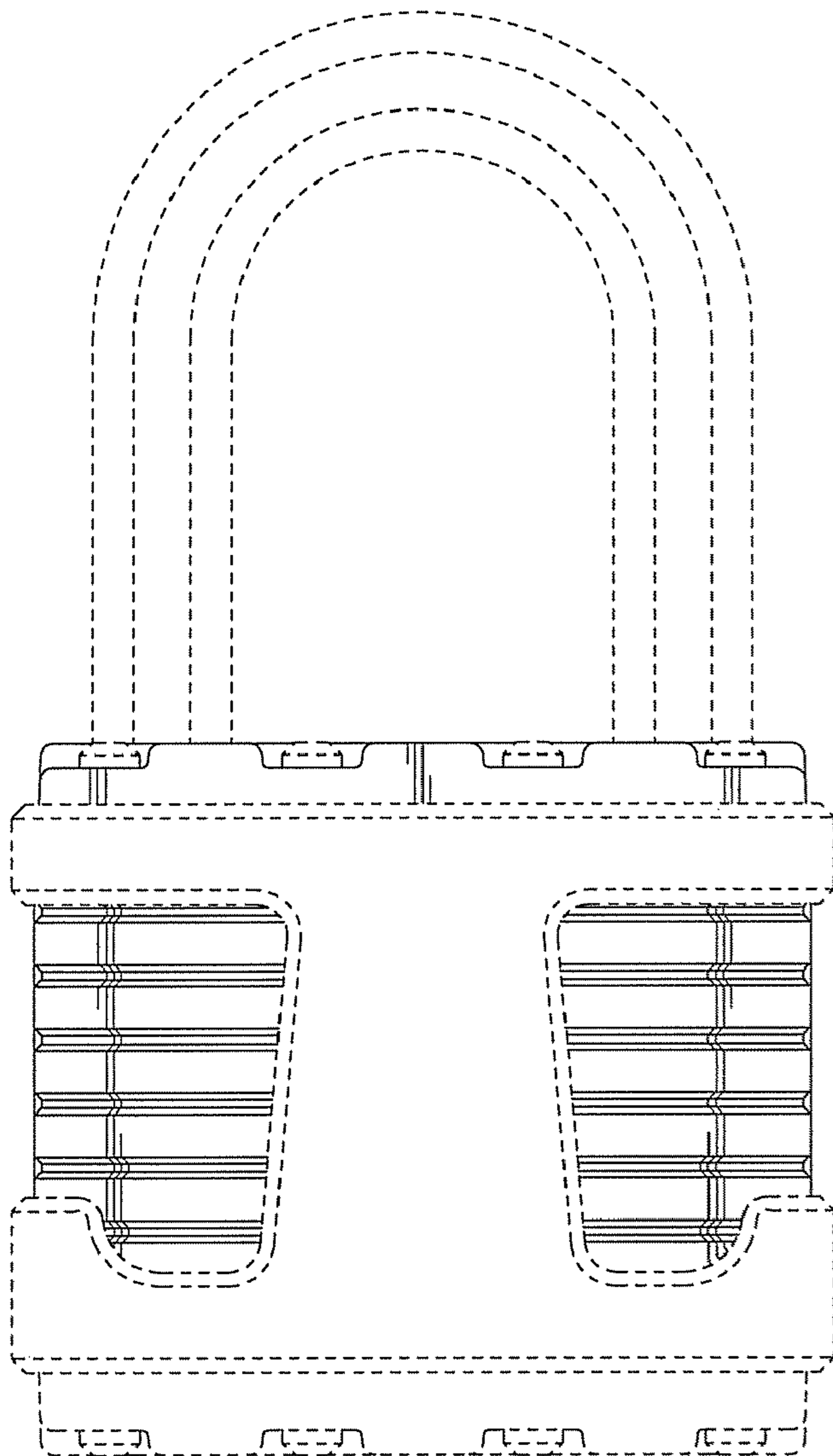




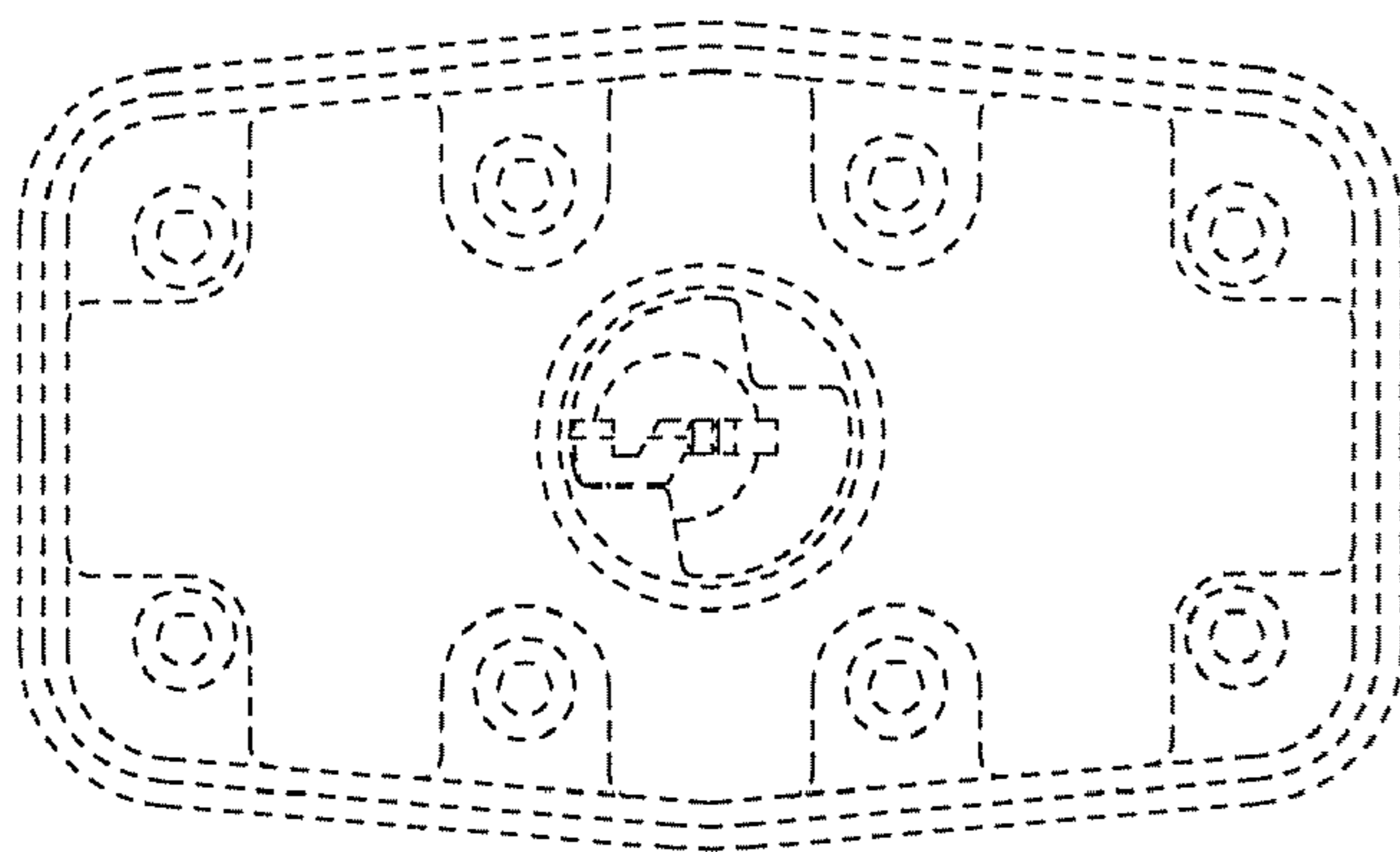
**FIG. 2**



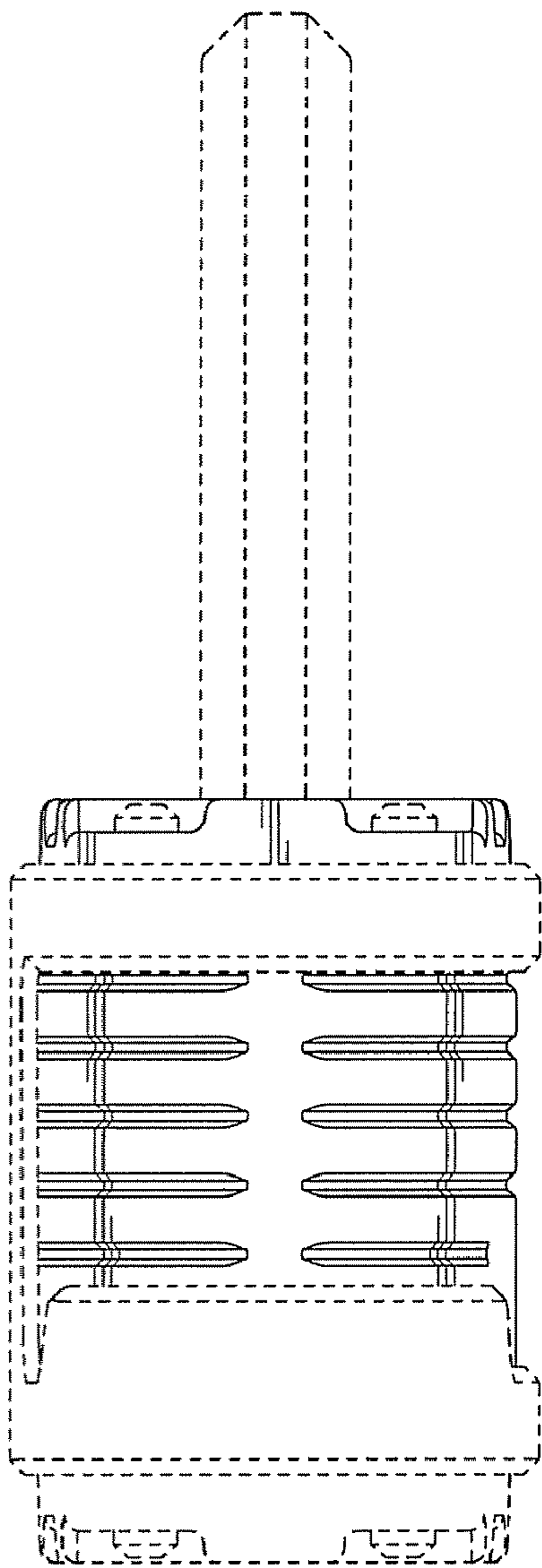
**FIG. 3**



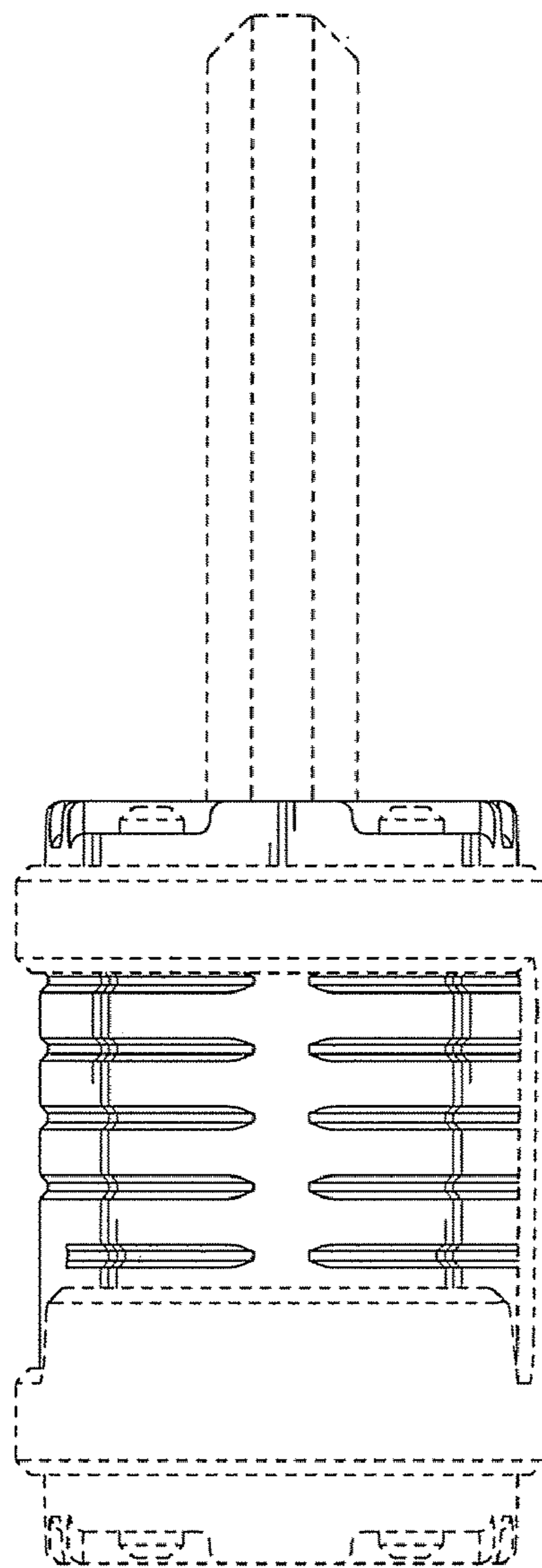
**FIG. 4**



**FIG. 5**



**FIG. 6**



**FIG. 7**