



US00D578862S

(12) **United States Design Patent**  
**James et al.**

(10) **Patent No.:** **US D578,862 S**  
(45) **Date of Patent:** **\*\* Oct. 21, 2008**

(54) **CLOSER COVER**

(75) Inventors: **Kim James**, Newport Beach, CA (US);  
**Jason Veltz**, Laguna Hills, CA (US);  
**Curtis Patrick Odom**, Vista, CA (US)

(73) Assignee: **Newfrey LLC**, Newark, DE (US)

(\*\*) Term: **14 Years**

(21) Appl. No.: **29/293,824**

(22) Filed: **Dec. 13, 2007**

(51) **LOC (8) Cl.** ..... **08-07**

(52) **U.S. Cl.** ..... **D8/330**

(58) **Field of Classification Search** ..... D8/330,  
D8/346, 343; 16/49, 71, 52, 58, 62  
See application file for complete search history.

(56) **References Cited**

U.S. PATENT DOCUMENTS

|           |     |         |                   |         |
|-----------|-----|---------|-------------------|---------|
| 3,729,771 | A   | 5/1973  | Crane et al.      |         |
| 3,777,423 | A * | 12/1973 | Coulter et al.    | 49/31   |
| 3,905,063 | A * | 9/1975  | Coulter et al.    | 16/48.5 |
| D241,003  | S * | 8/1976  | Meisner           | D8/330  |
| D241,910  | S   | 10/1976 | Meisner           |         |
| D261,099  | S * | 10/1981 | Russell           | D8/330  |
| D364,081  | S   | 11/1995 | Yates et al.      |         |
| D413,055  | S   | 8/1999  | Mullet et al.     |         |
| D416,779  | S   | 11/1999 | Trumpinski et al. |         |
| D421,561  | S   | 3/2000  | Fenwick et al.    |         |

|           |      |        |                |        |
|-----------|------|--------|----------------|--------|
| D422,195  | S *  | 4/2000 | Tonozzi et al. | D8/330 |
| D424,404  | S    | 5/2000 | Jensen et al.  |        |
| D428,793  | S    | 8/2000 | Bruno          |        |
| D429,992  | S *  | 8/2000 | Ginzel et al.  | D8/330 |
| D438,088  | S    | 2/2001 | Tomlinson      |        |
| D439,131  | S    | 3/2001 | Bruno          |        |
| 6,591,551 | B2 * | 7/2003 | Winkler        | 49/339 |
| D491,787  | S *  | 6/2004 | Homberg        | D8/330 |
| D493,352  | S *  | 7/2004 | Homberg        | D8/330 |

\* cited by examiner

*Primary Examiner*—Prabhakar Deshmukh

(74) *Attorney, Agent, or Firm*—Ober/Kaler; Royal W. Craig

(57) **CLAIM**

The ornamental design for a closer cover, as shown and described.

**DESCRIPTION**

FIG. 1 is a front perspective view of a closer cover showing our new design.

FIG. 2 is a front view of the closer cover as in FIG. 1.

FIG. 3 is a top view of the closer cover as in FIGS. 1–2.

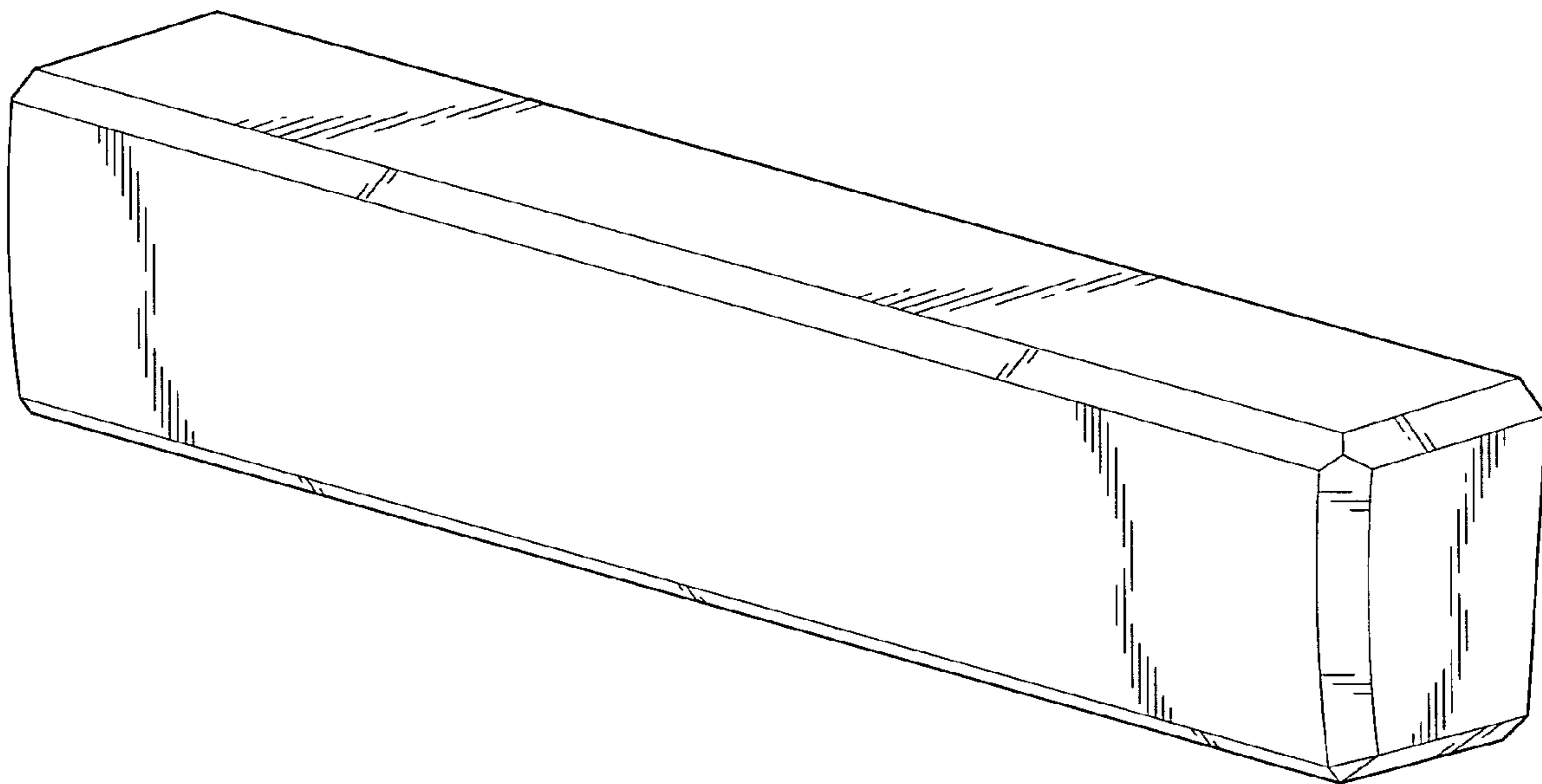
FIG. 4 is a back view of the closer cover as in FIGS. 1–3.

FIG. 5 is a bottom view of the closer cover as in FIGS. 1–4.

FIG. 6 is a right end view of the closer cover as in FIGS. 1–5; and,

FIG. 7 is a left end view of the closer cover as in FIGS. 1–6.

**1 Claim, 7 Drawing Sheets**



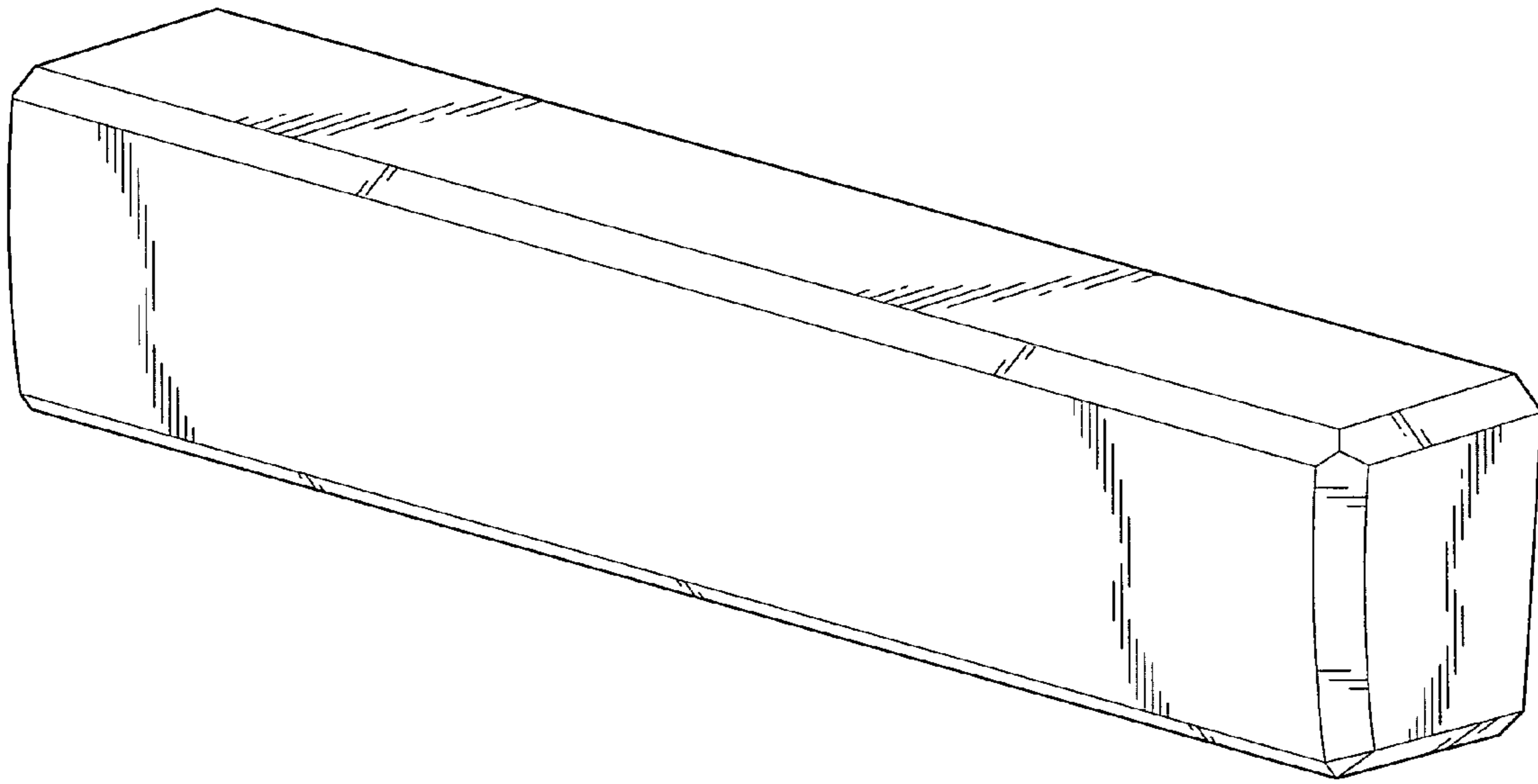


Fig. 1

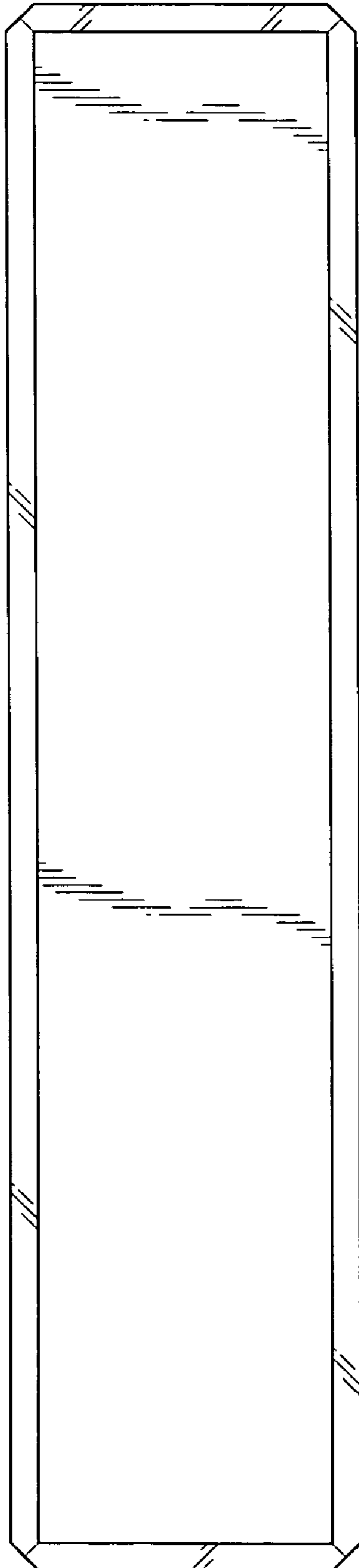


Fig. 2

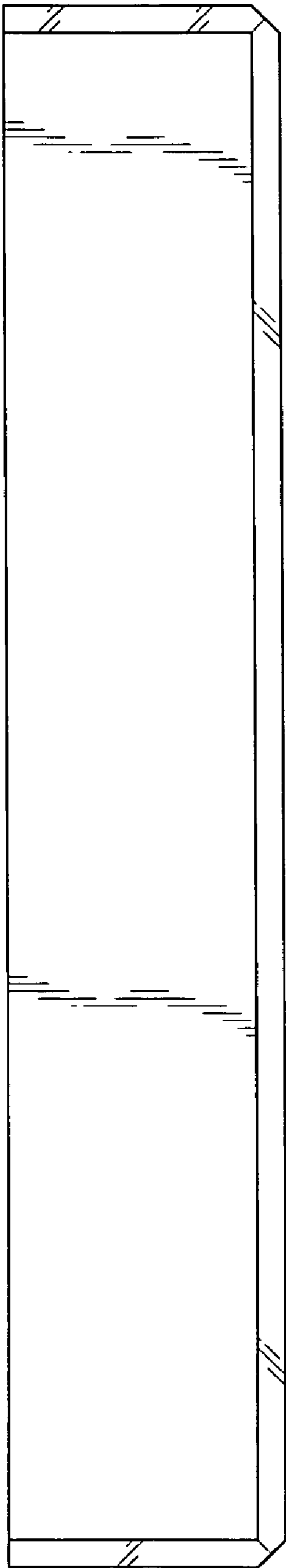


Fig. 3

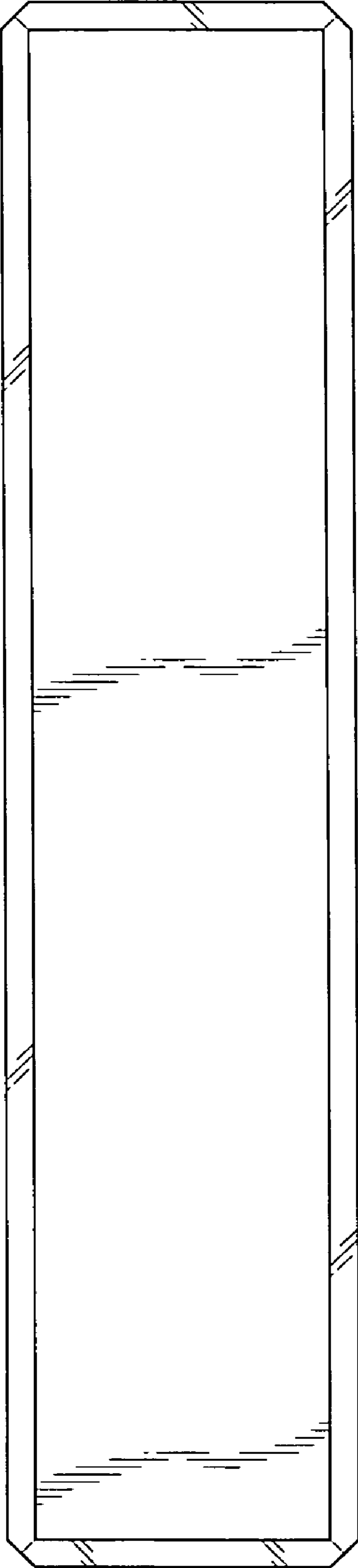


Fig. 4

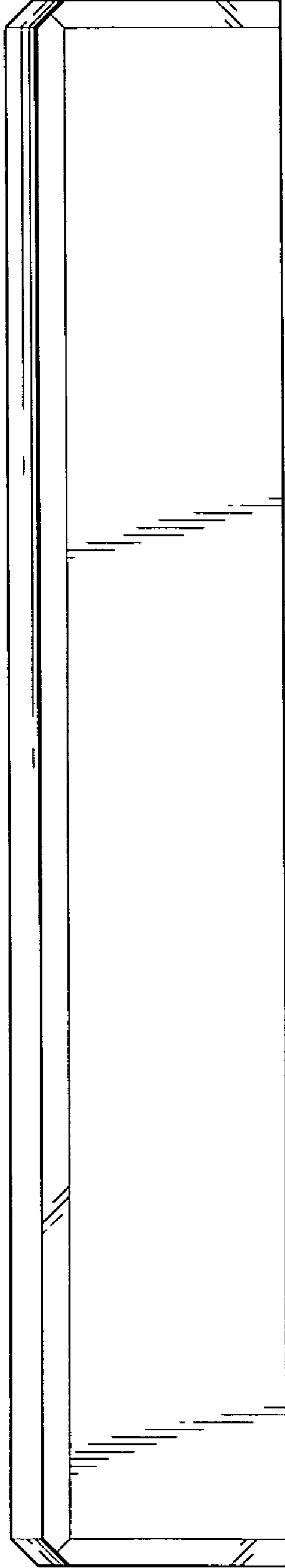


Fig. 5

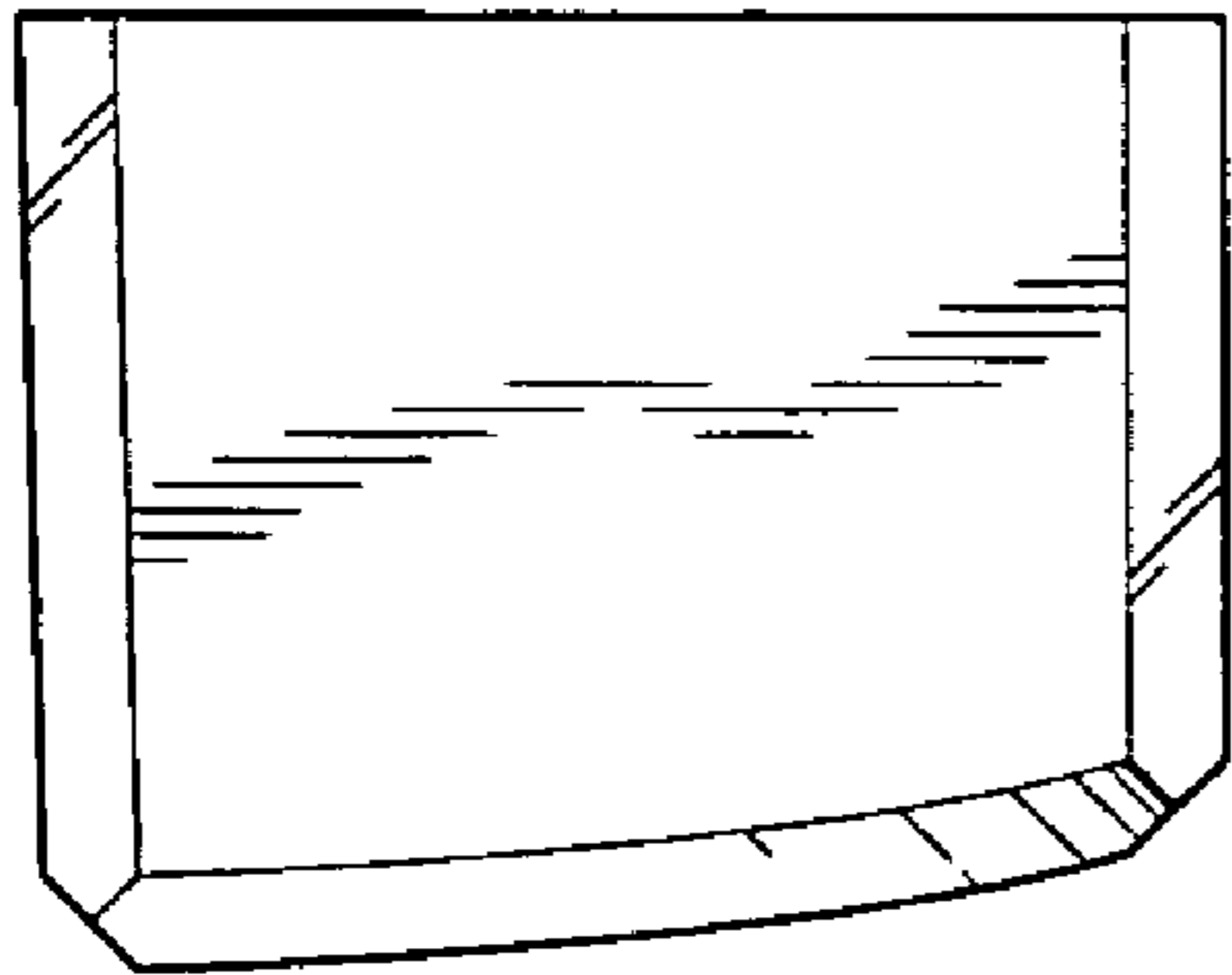


Fig. 6

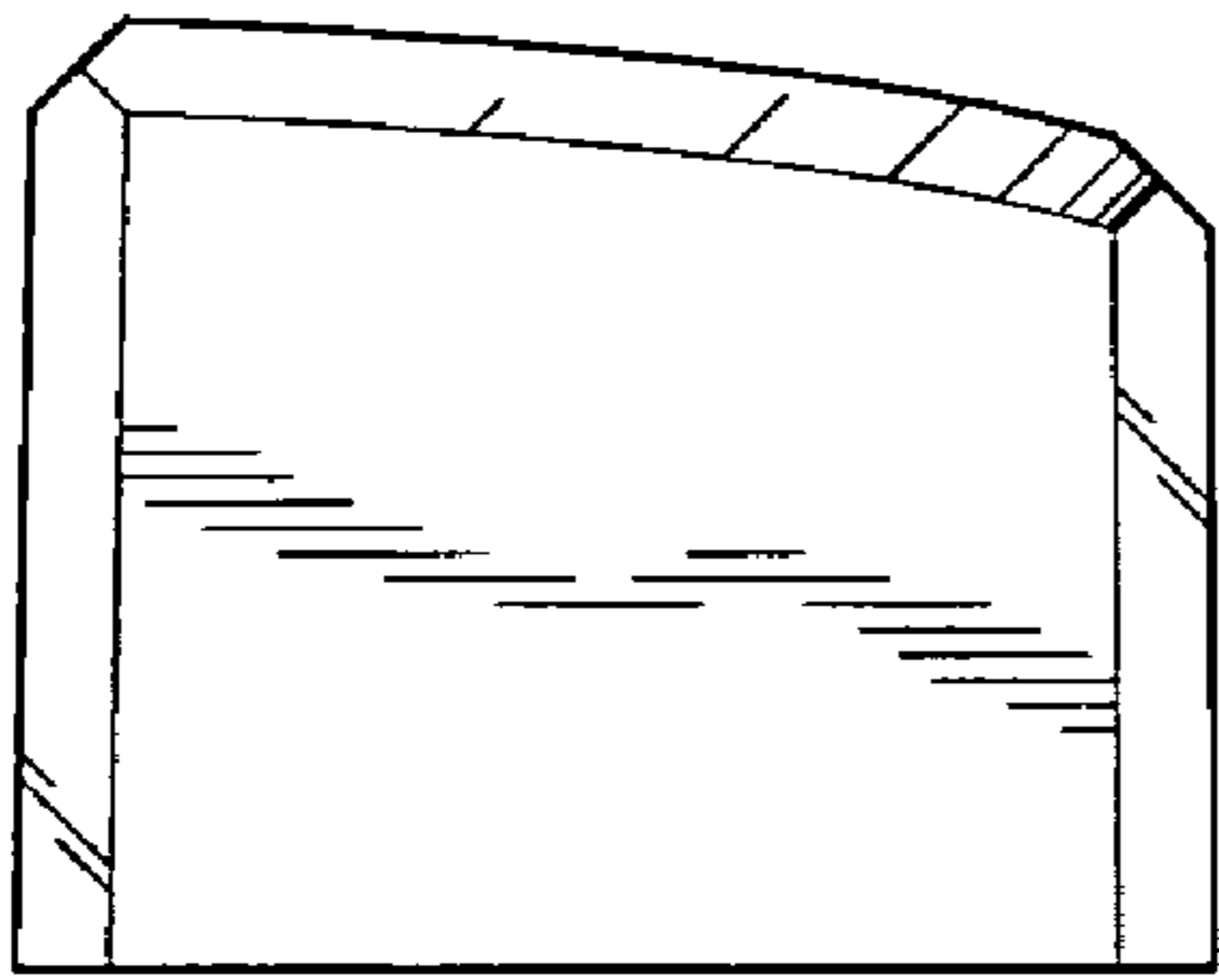


Fig. 7