



US00D578860S

(12) **United States Design Patent**  
**James et al.**

(10) **Patent No.:** **US D578,860 S**  
(45) **Date of Patent:** **\*\* Oct. 21, 2008**

(54) **THIN EXIT DEVICE**

D496,577 S \* 9/2004 Cohrs et al. .... D8/321

(75) Inventors: **Kim James**, Newport Beach, CA (US);  
**Jason Veltz**, Laguna Hills, CA (US)

FOREIGN PATENT DOCUMENTS

AU 2005/073489 8/2005  
DE 2001/03093 1/2001

(73) Assignee: **Newfrey LLC**, Newark, DE (US)

OTHER PUBLICATIONS

(\*\*) Term: **14 Years**

Appendix showing an existing product from Thase (3pps).

(21) Appl. No.: **29/293,788**

\* cited by examiner

(22) Filed: **Dec. 12, 2007**

*Primary Examiner*—Prabhakar Deshmukh

*Assistant Examiner*—Derrick Holland

(51) **LOC (8) Cl.** ..... **08-06**

(74) *Attorney, Agent, or Firm*—Ober/Kaler; Royal W. Craig

(52) **U.S. Cl.** ..... **D8/302**

(58) **Field of Classification Search** ..... D8/302,  
D8/300, 315, 316, 319, 320, 321; 70/92,  
70/450, 451, 466; 292/21, 92, 93, 140, 166,  
292/168, 169, 227

(57) **CLAIM**

See application file for complete search history.

The ornamental design for a thin exit device, as shown and described.

**DESCRIPTION**

(56) **References Cited**

FIG. 1 is a front perspective view of a thin exit device according to our new design.

U.S. PATENT DOCUMENTS

FIG. 2 is a front view of the thin exit device as in FIG. 1.

1,928,149	A	9/1933	De Wees	
3,614,145	A *	10/1971	Zawadzki	292/92
4,167,280	A *	9/1979	Godec et al.	292/92
D268,003	S *	2/1983	Ohno	D8/302
D281,573	S *	12/1985	Miller	D8/302
D297,806	S *	9/1988	Mohn	D8/302
4,961,330	A *	10/1990	Evans	70/21
D318,410	S *	7/1991	Mohn	D8/302
D331,182	S *	11/1992	Hsien	D8/302
D337,715	S *	7/1993	Rutherford	D8/346
5,429,399	A	7/1995	Geringer et al.	
6,205,825	B1 *	3/2001	Haeck et al.	70/92

FIG. 3 is a top side view of the thin exit device as in FIGS. 1–2.

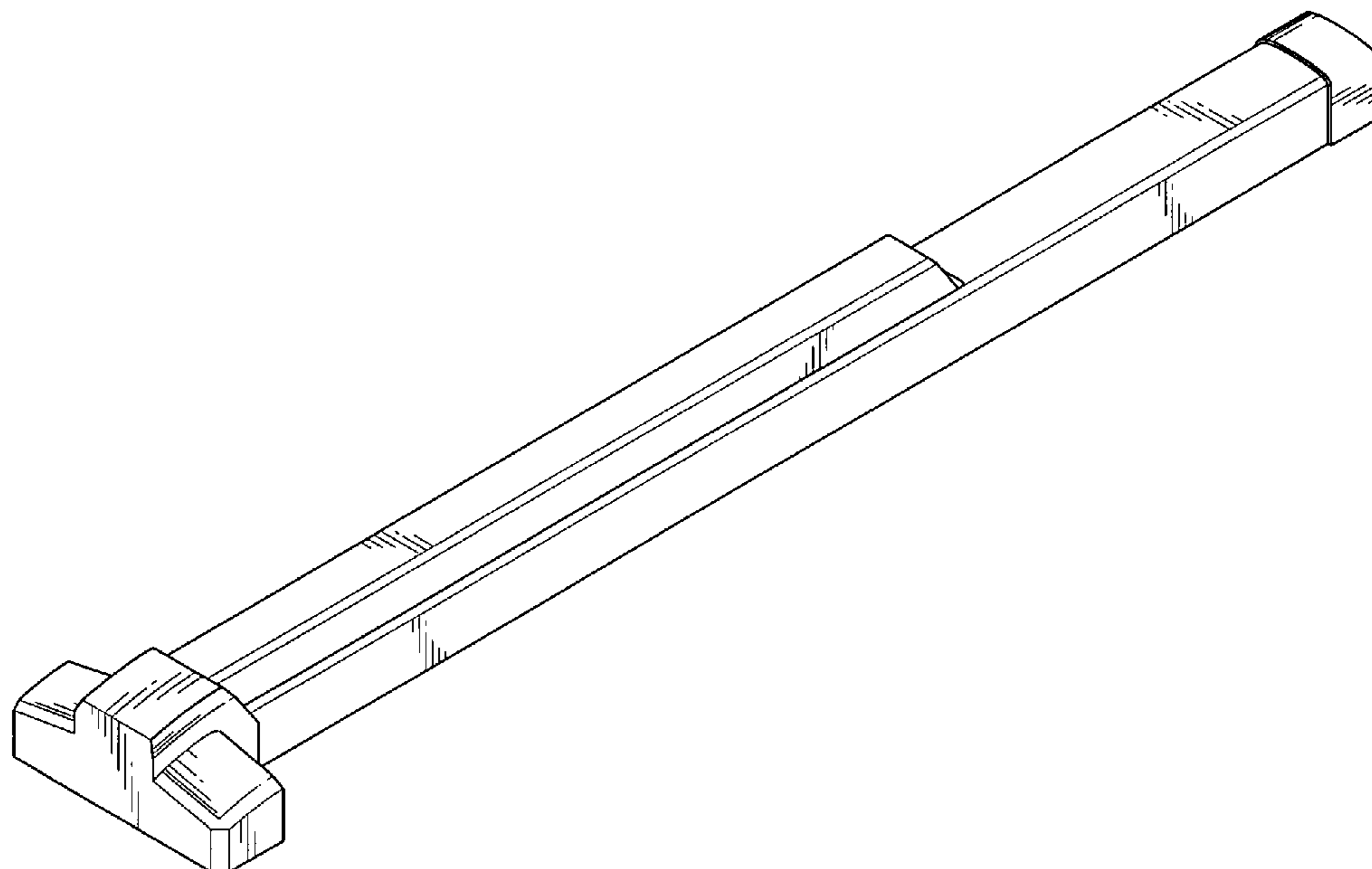
FIG. 4 is a back view of the thin exit device as in FIGS. 1–3.

FIG. 5 is a bottom side view of the thin exit device as in FIGS. 1–4.

FIG. 6 is a right end view of the thin exit device as in FIGS. 1–5; and,

FIG. 7 is a left end view of the thin exit device as in FIGS. 1–6.

**1 Claim, 7 Drawing Sheets**



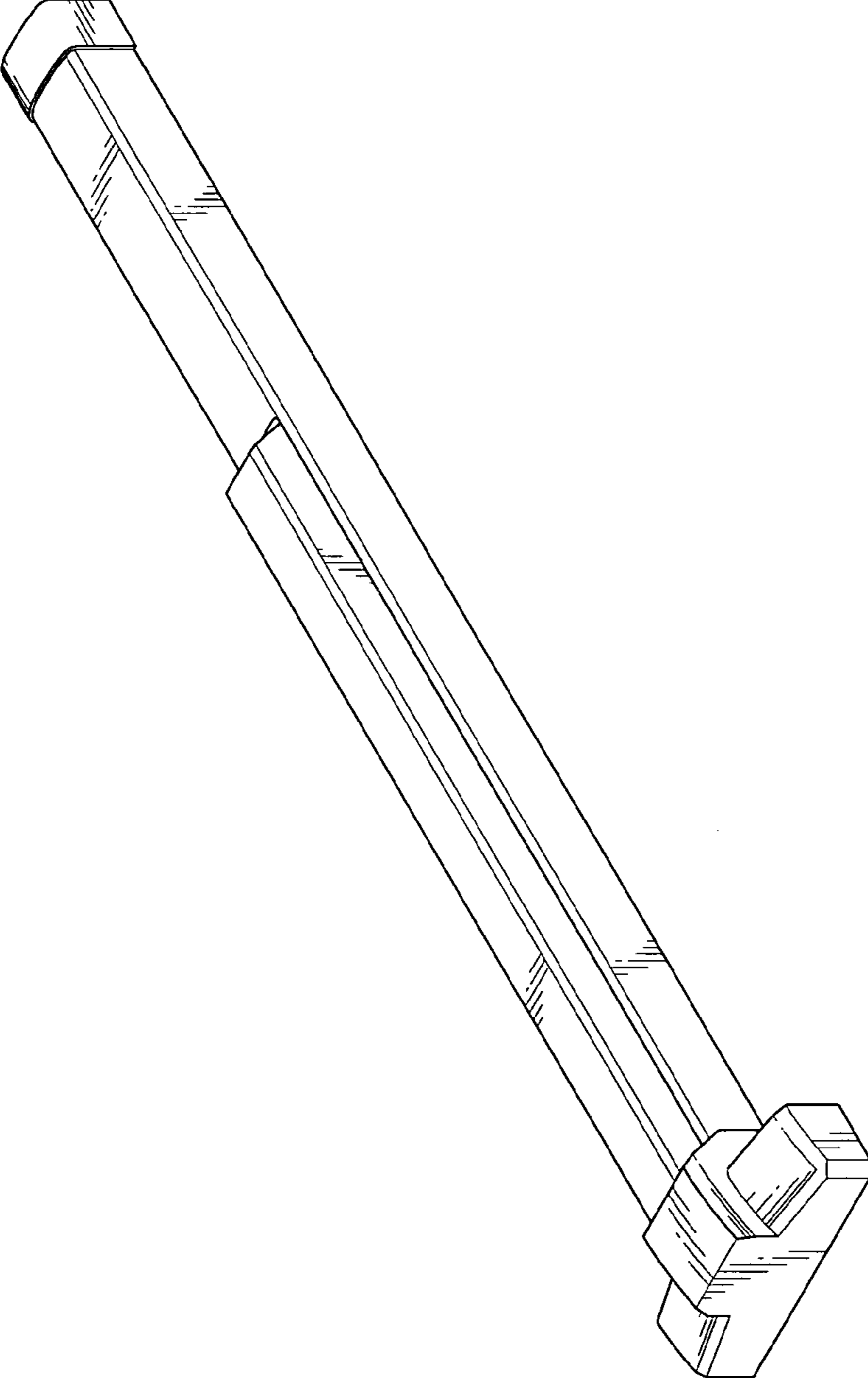


Fig. 1

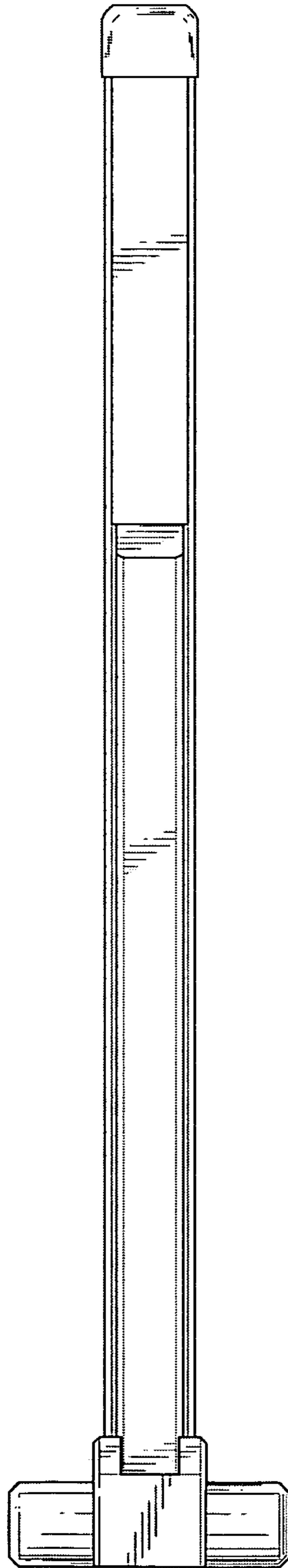


Fig. 2

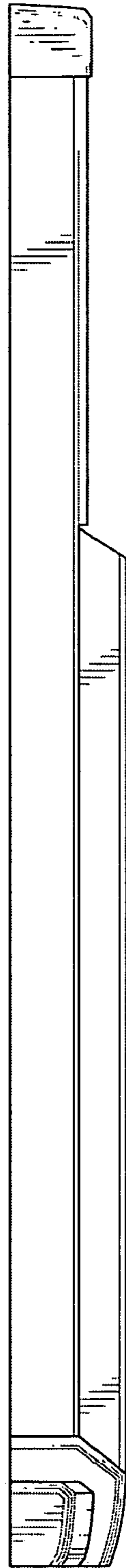


Fig. 3

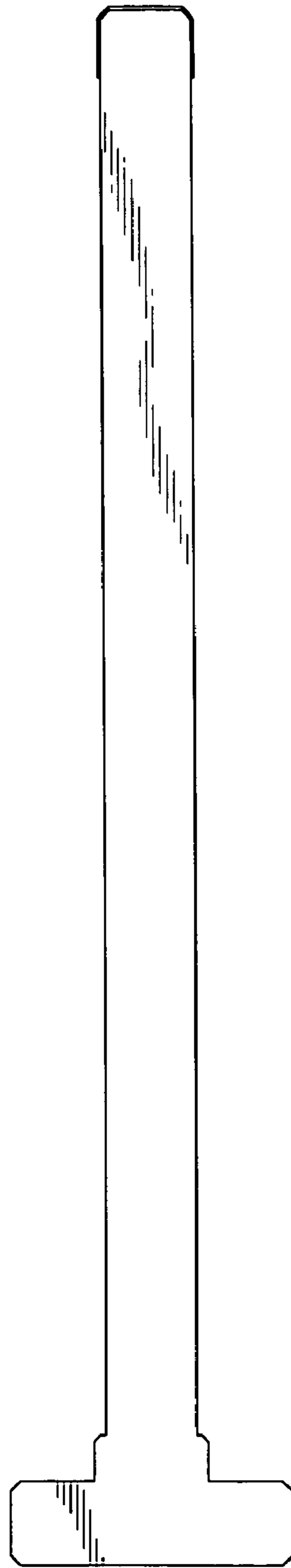


Fig. 4

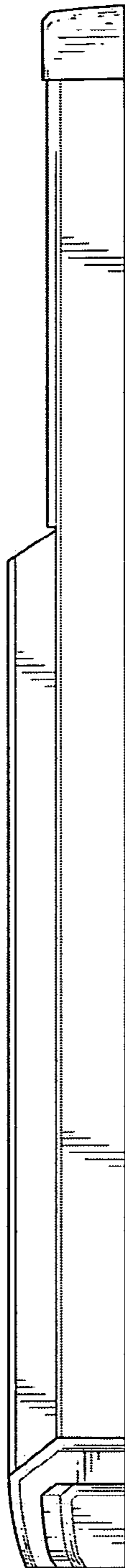


Fig. 5

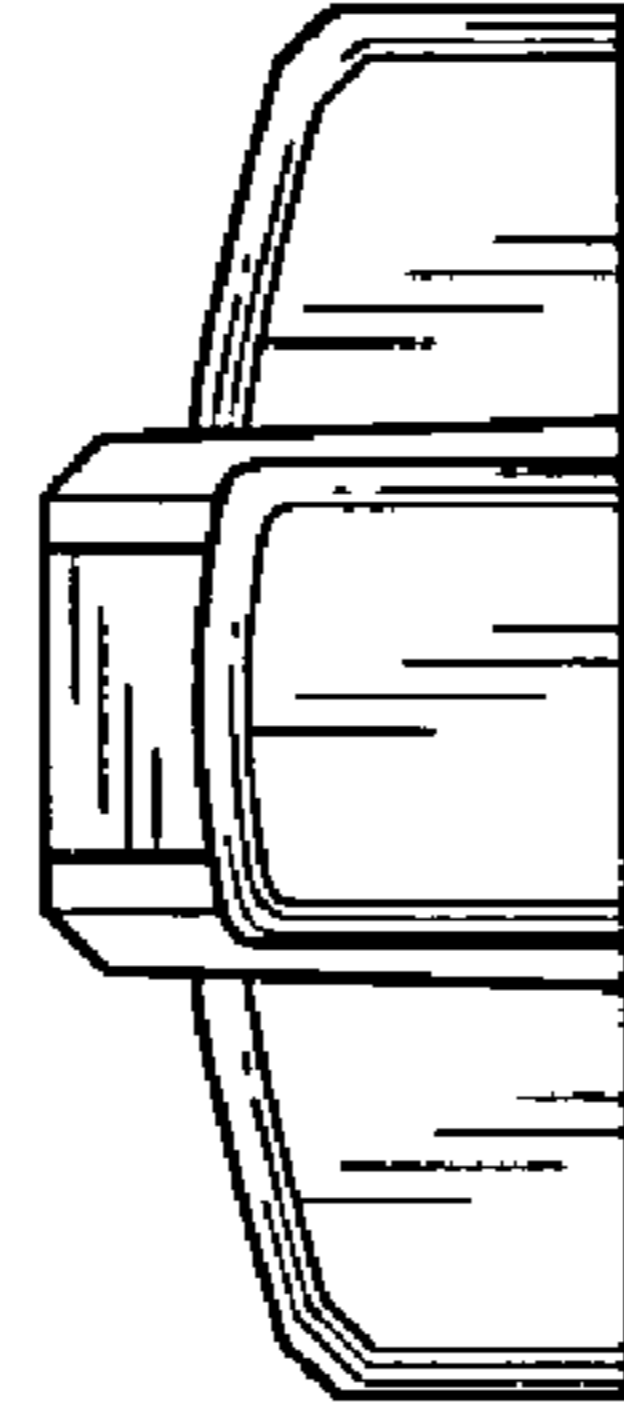


Fig. 6

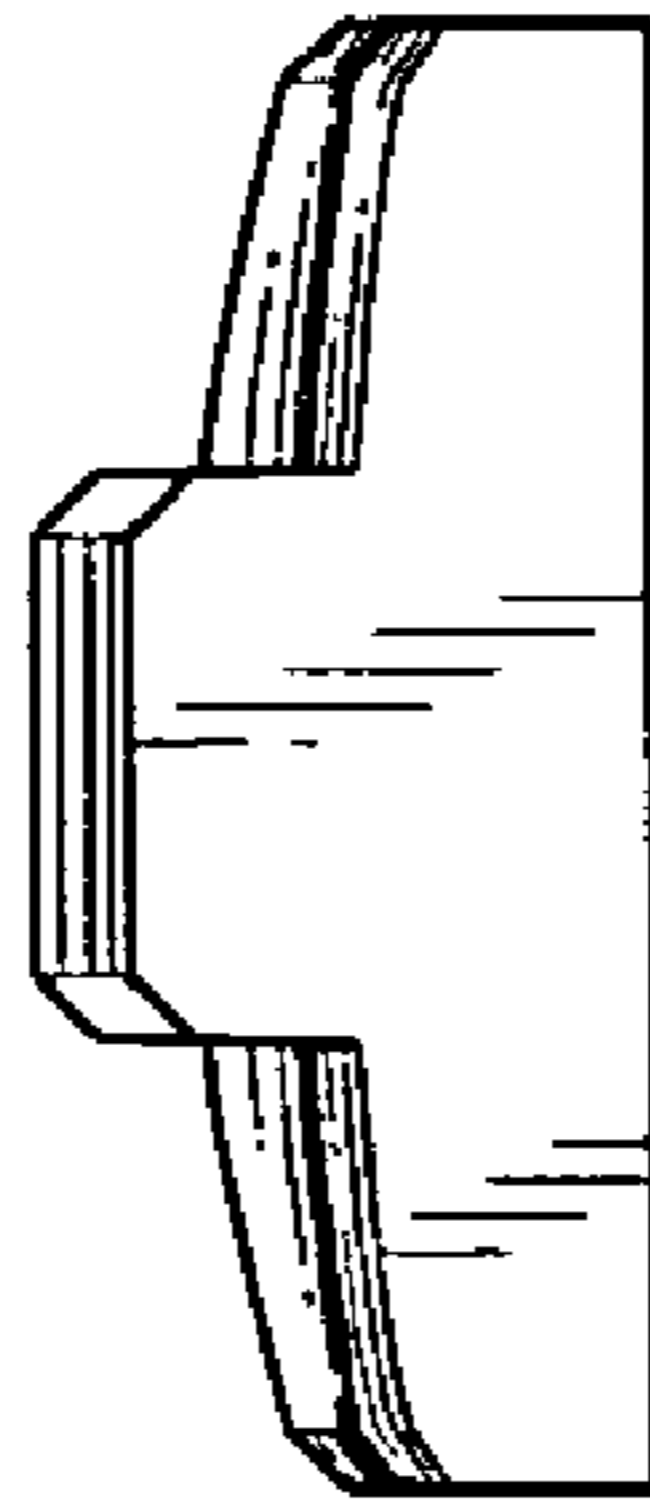


Fig. 7