



US00D578858S

(12) **United States Design Patent**  
**Ping**

(10) **Patent No.:** **US D578,858 S**

(45) **Date of Patent:** **\*\* Oct. 21, 2008**

(54) **FOLDABLE KNIFE**

(75) Inventor: **Qiu Jian Ping**, Hangzhou (CN)

(73) Assignee: **Great Neck Saw Manufacturers, Inc.**,  
Mineola, NY (US)

(\*\*) Term: **14 Years**

(21) Appl. No.: **29/301,470**

(22) Filed: **Mar. 3, 2008**

**Related U.S. Application Data**

(62) Division of application No. 29/294,822, filed on Jan. 29, 2008, which is a division of application No. 29/268,987, filed on Nov. 17, 2006.

(51) **LOC (8) Cl.** ..... **08-03**

(52) **U.S. Cl.** ..... **D8/99**

(58) **Field of Classification Search** ..... D8/98,  
D8/99, 100, 107; D22/118; 30/155, 159,  
30/157, 158, 160, 161, 329, 330, 331  
See application file for complete search history.

(56) **References Cited**

**U.S. PATENT DOCUMENTS**

D407,004 S *	3/1999	Hull et al. ....	D8/99
D435,421 S *	12/2000	Strider et al. ....	D8/99
6,688,003 B2	2/2004	Scarla	
D494,437 S	8/2004	Scarla	
D495,939 S *	9/2004	Ping .....	D8/99
D495,940 S *	9/2004	Keppel et al. ....	D8/99
D501,782 S	2/2005	Ping	

6,915,577 B2 *	7/2005	Scala .....	30/156
6,951,055 B1 *	10/2005	Collins .....	30/162
D516,403 S	3/2006	Ping	
D519,817 S	5/2006	Wong	
D522,835 S	6/2006	Ping	
D526,878 S	8/2006	Ping	
D541,128 S	4/2007	Farland	
D546,158 S	7/2007	Ping	
D552,955 S	10/2007	Ping	

\* cited by examiner

*Primary Examiner*—Philip S Hyder

(74) *Attorney, Agent, or Firm*—Joseph J. Previto

(57) **CLAIM**

The ornamental design for a foldable knife, substantially as shown and described.

**DESCRIPTION**

FIG. 1 is a perspective view of my new design.

FIG. 2 is a top view thereof.

FIG. 3 is a side view thereof.

FIG. 4 is another side view thereof.

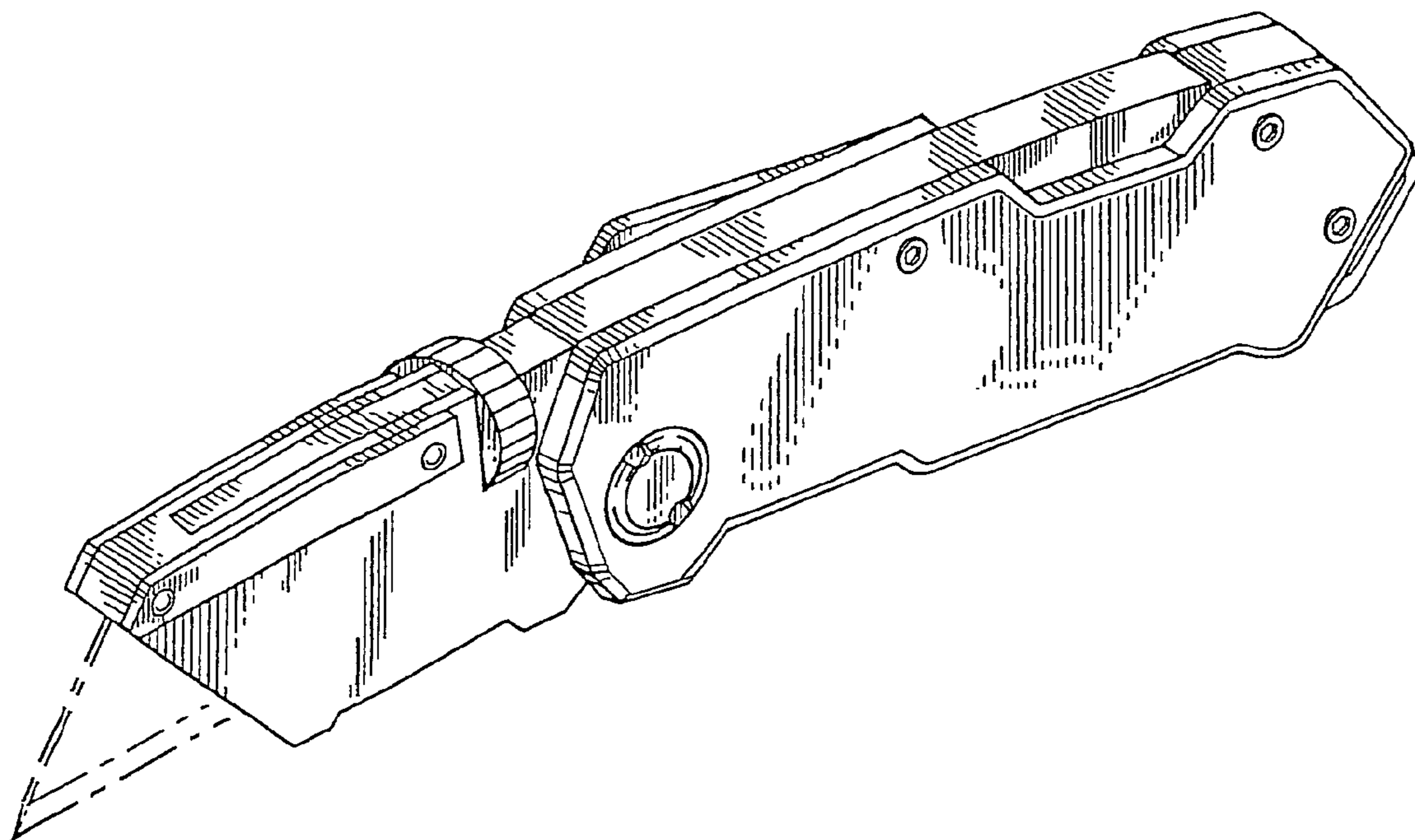
FIG. 5 is a bottom view thereof.

FIG. 6 is a front view thereof; and,

FIG. 7 is a rear view thereof.

The broken lines showing a blade holder is included for the purposes of illustrating environmental structure and forms no part of the claimed design.

**1 Claim, 4 Drawing Sheets**



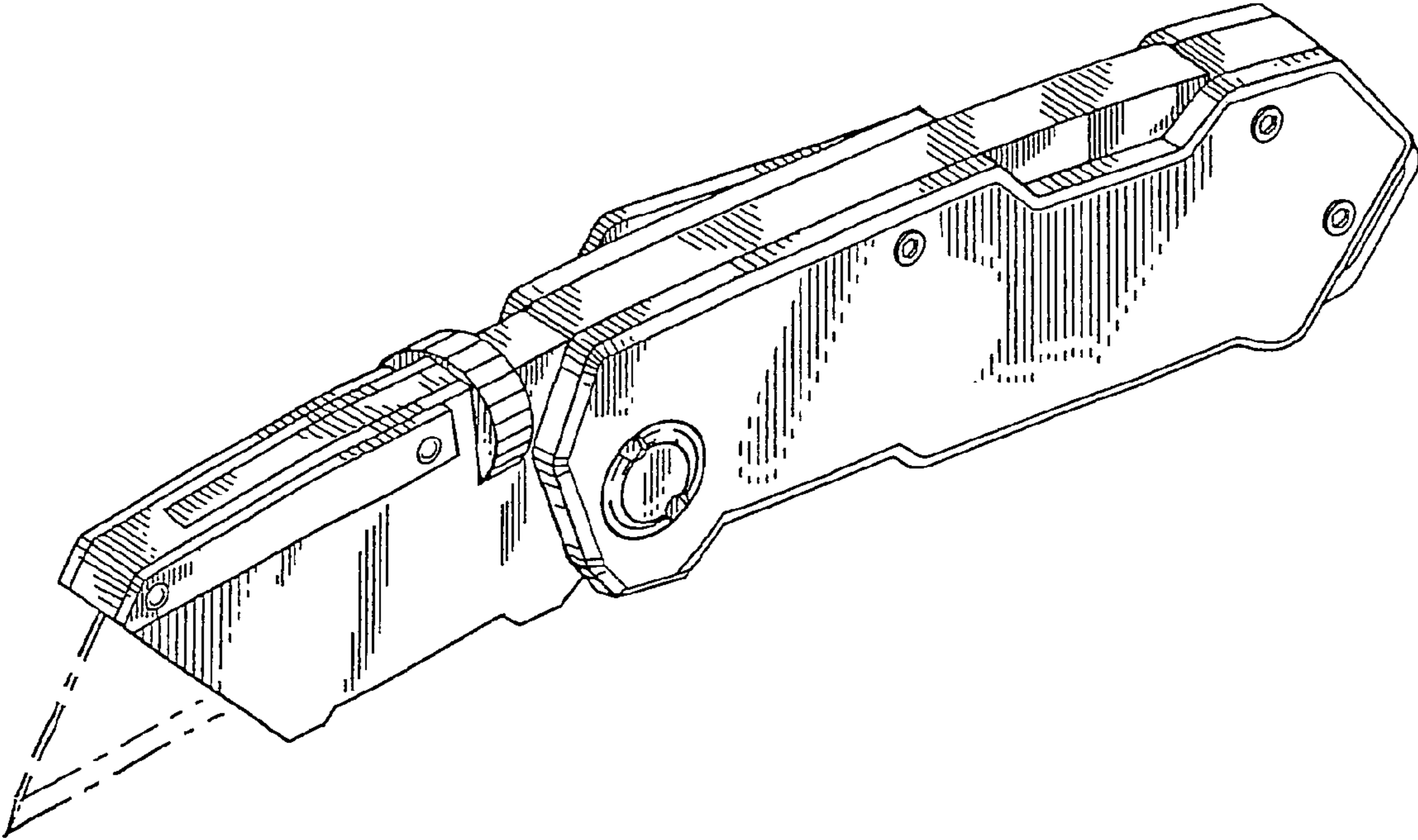


FIG.1

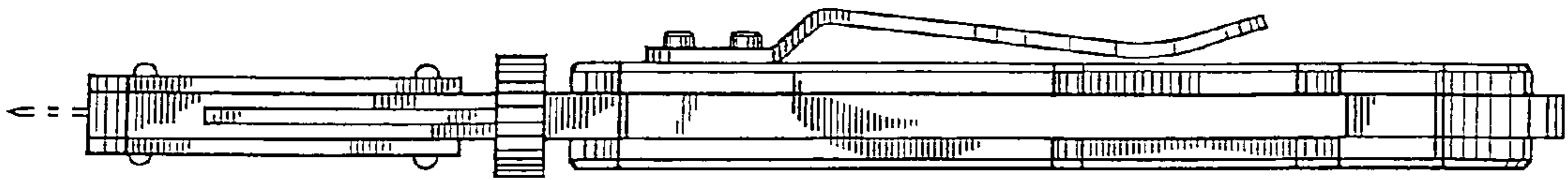


FIG. 2

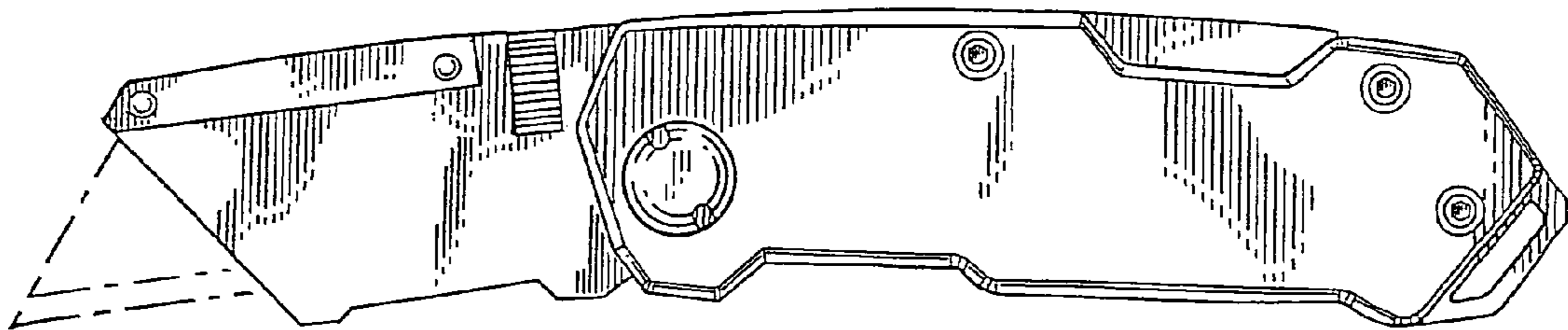


FIG. 3

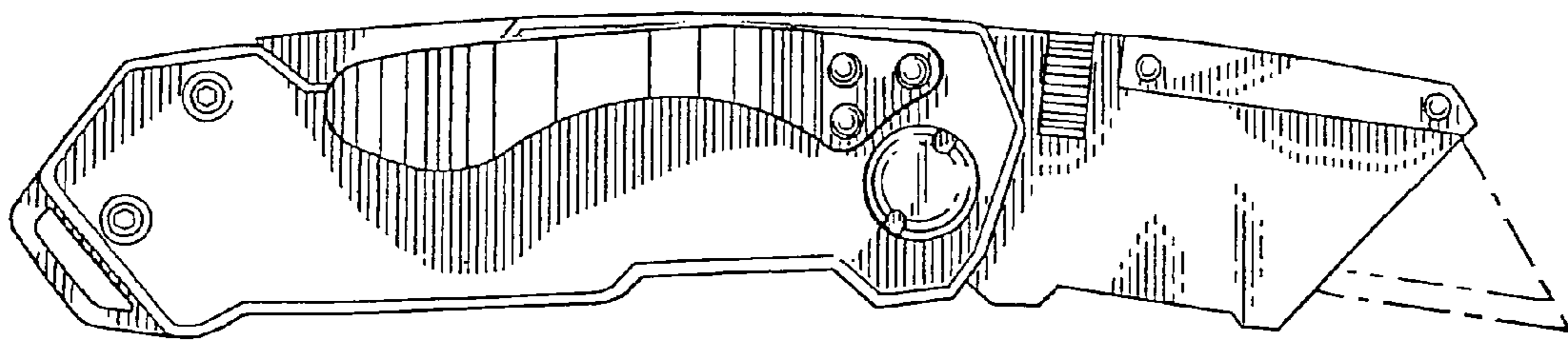


FIG. 4

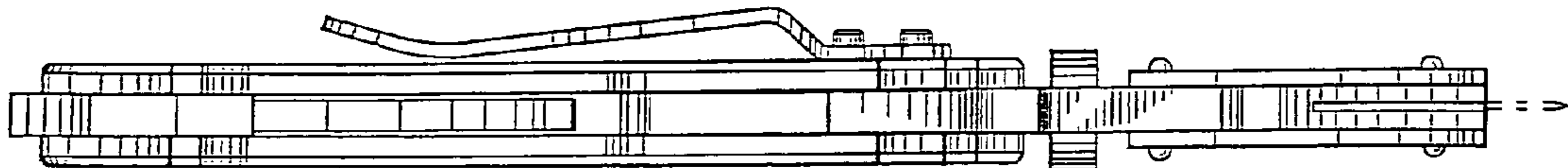


FIG. 5

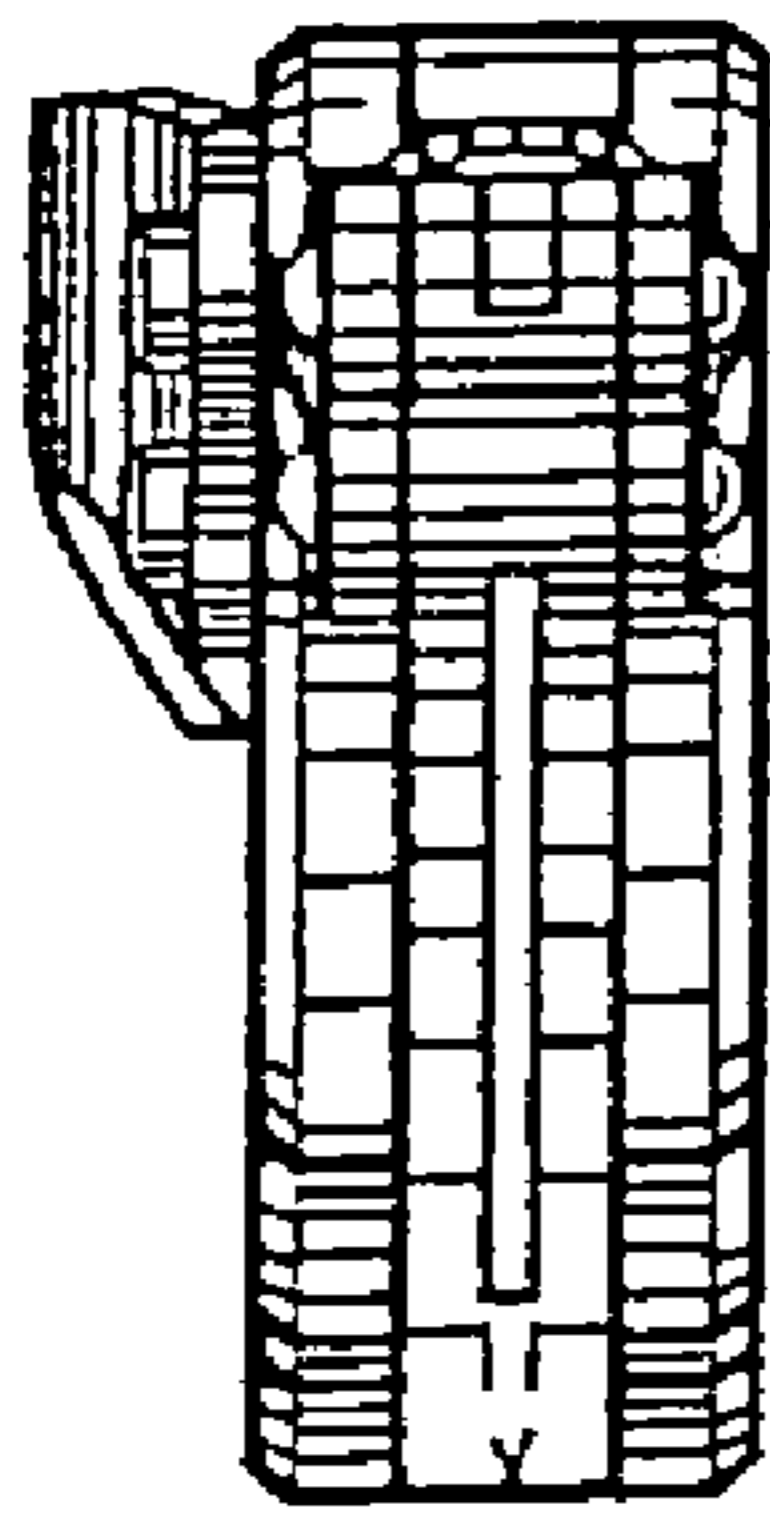


FIG. 6

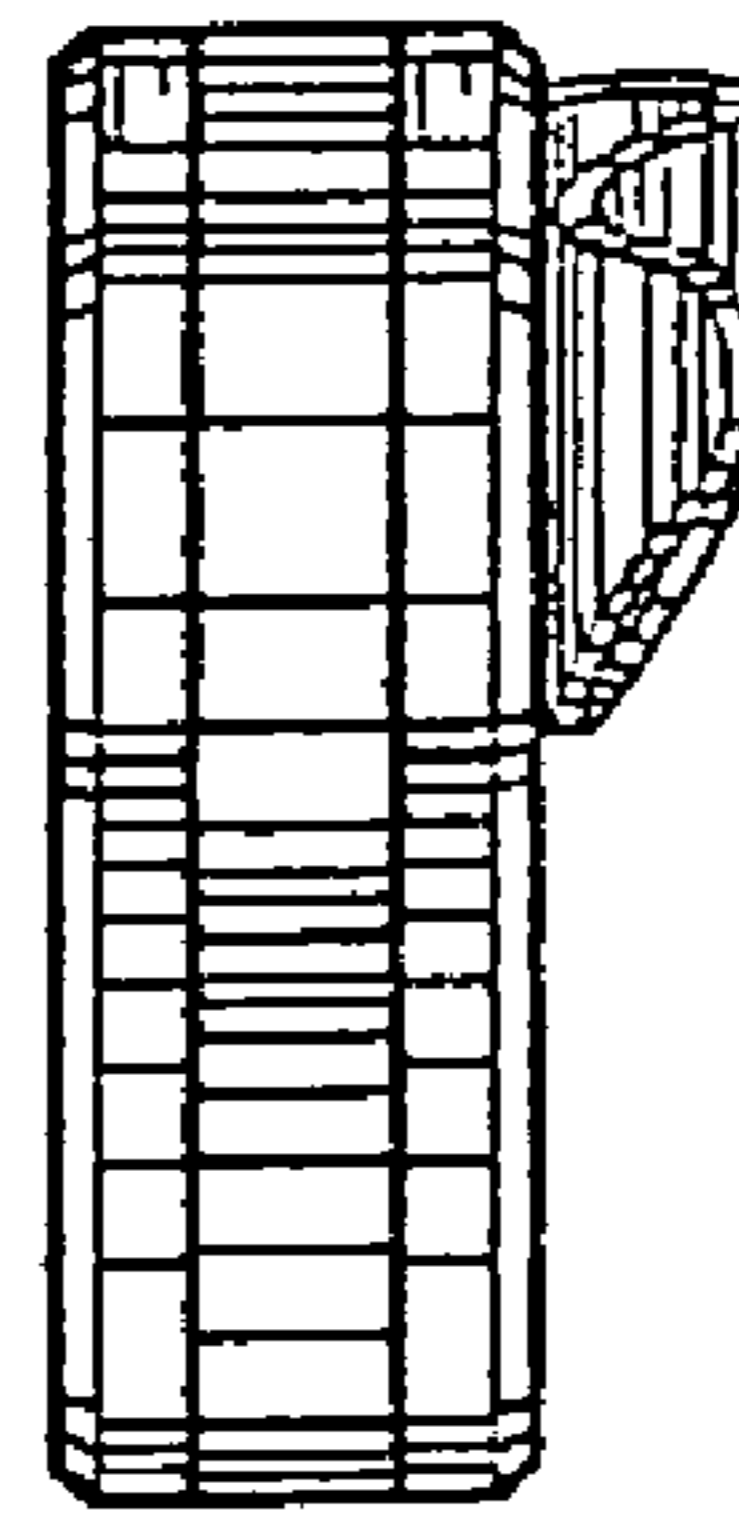


FIG. 7