



US00D578857S

(12) **United States Design Patent**  
**Yang-Fu**

(10) **Patent No.:** **US D578,857 S**

(45) **Date of Patent:** **\*\* Oct. 21, 2008**

(54) **POCKET KNIFE HANDLE**

(75) Inventor: **Cheng Yang-Fu**, Taipei (TW)

(73) Assignee: **Taylor Brands, LLC**, Kingsport, TN (US)

(\*\*) Term: **14 Years**

(21) Appl. No.: **29/280,345**

(22) Filed: **May 24, 2007**

(51) **LOC (8) Cl.** ..... **08-03**

(52) **U.S. Cl.** ..... **D8/99**

(58) **Field of Classification Search** ..... D8/99,  
D8/100, 107; D22/118; 30/155, 156, 157,  
30/158, 159, 160, 161

See application file for complete search history.

(56) **References Cited**

**U.S. PATENT DOCUMENTS**

D385,173	S	*	10/1997	McWillis	.....	D8/99
5,819,414	A	*	10/1998	Marifone	.....	30/160
D431,991	S	*	10/2000	Elishewitz	.....	D8/99
6,154,965	A	*	12/2000	Sakai	.....	30/161
D447,925	S	*	9/2001	Osborne	.....	D8/107
D464,246	S	*	10/2002	Sloan	.....	D8/99
D473,917	S	*	4/2003	Carter, III	.....	D22/118
D510,249	S	*	10/2005	Ray	.....	D8/99

7,086,157	B2	*	8/2006	Vallotton	.....	30/159
D560,995	S	*	2/2008	Onion	.....	D8/99
D560,997	S	*	2/2008	Onion	.....	D8/99
D567,055	S	*	4/2008	Renzi et al.	.....	D8/99

\* cited by examiner

*Primary Examiner*—Philip S Hyder

(74) *Attorney, Agent, or Firm*—Luedeka, Neely & Graham, PC

(57) **CLAIM**

The ornamental design for a pocket knife handle, as shown.

**DESCRIPTION**

FIG. 1 is a perspective view of a pocket knife handle, showing my new design;

FIG. 2 is a left side elevational view thereof

FIG. 3 is a right side elevational view thereof;

FIG. 4 is a top plan view thereof;

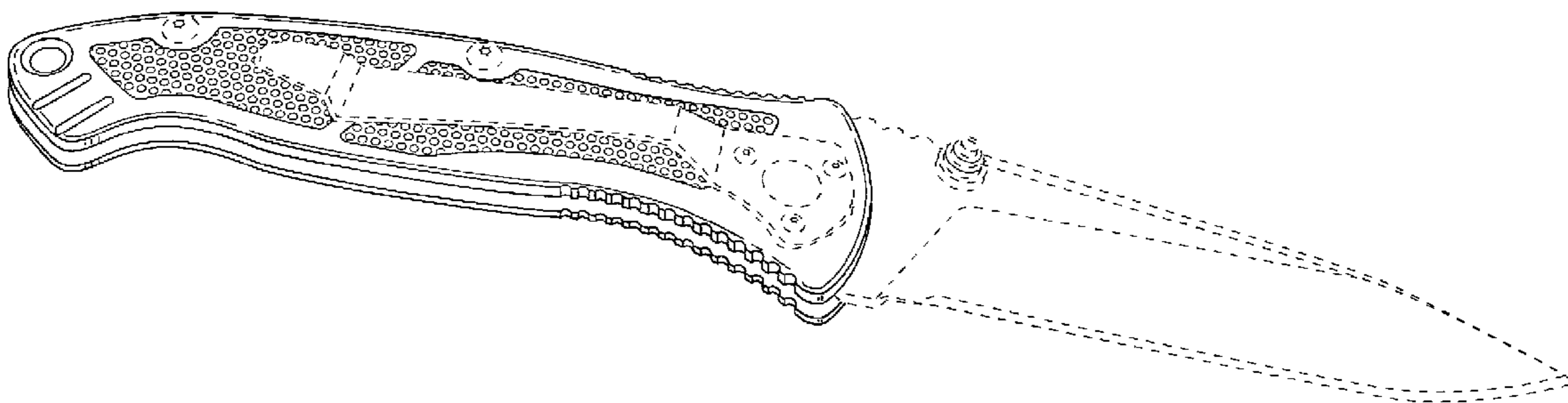
FIG. 5 is a bottom plan view thereof;

FIG. 6 is a front elevational view thereof; and,

FIG. 7 is a rear elevational view thereof.

The broken line portions of the drawings are included for the purpose of illustrating unclaimed structure and form no part of the claimed design.

**1 Claim, 6 Drawing Sheets**



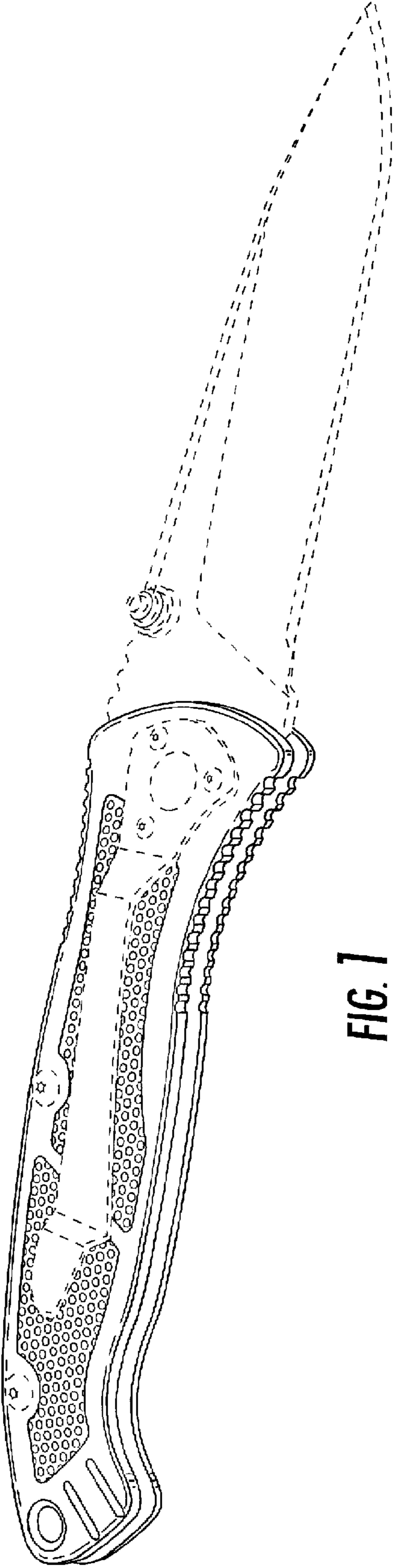


FIG. 1

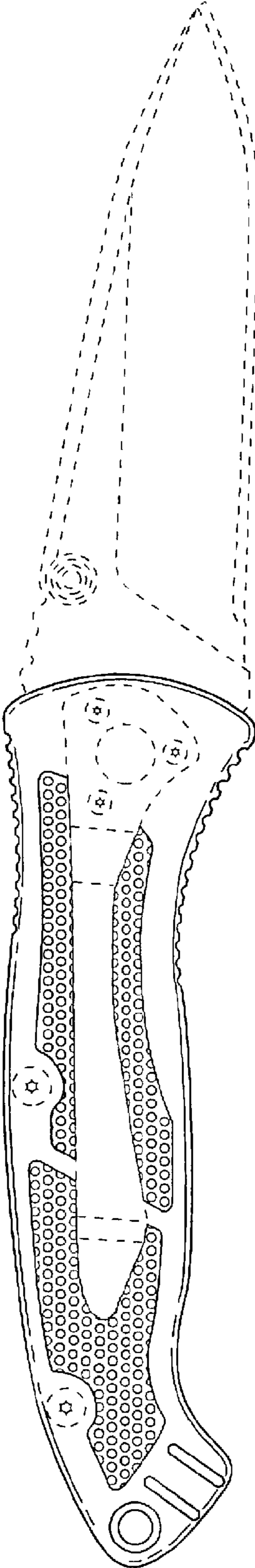


FIG. 2

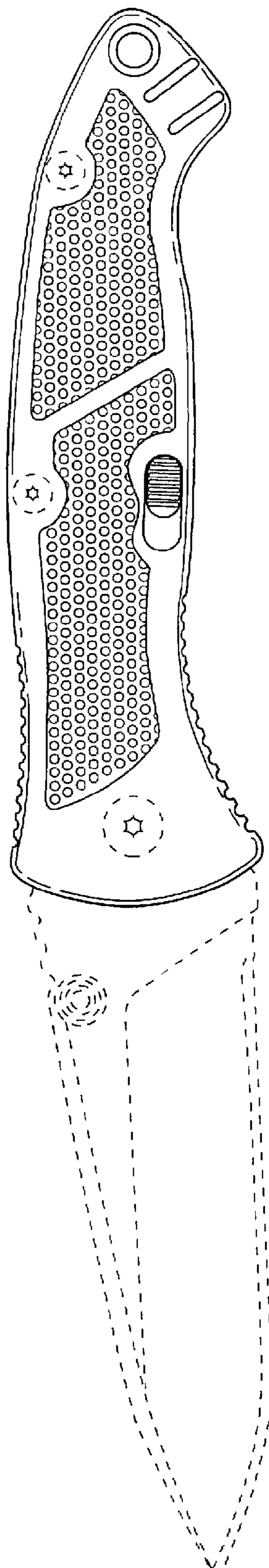


FIG. 3

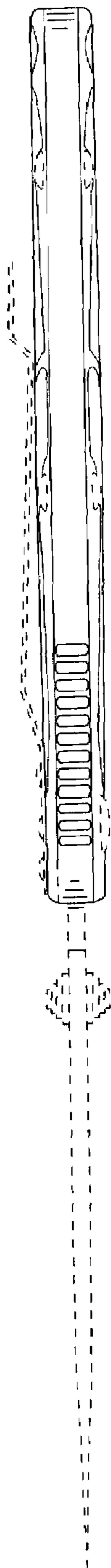


FIG. 4

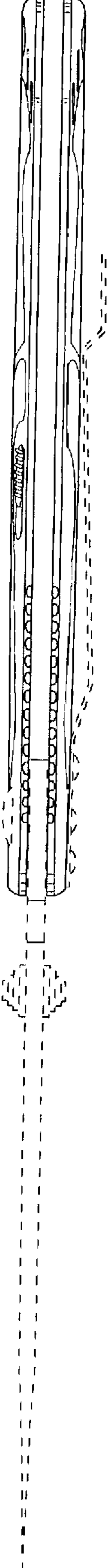


FIG. 5



**FIG. 6**



**FIG. 7**