



US00D578855S

(12) **United States Design Patent**
Meyers et al.

(10) **Patent No.:** **US D578,855 S**
(45) **Date of Patent:** **** Oct. 21, 2008**

- (54) **TOOL HOLDER**
- (75) Inventors: **David O. Meyers**, Kaysville, UT (US);
Leroy McCray, Chicago, IL (US)
- (73) Assignee: **Robert Bosch GmbH**, Stuttgart (DE)
- (**) Term: **14 Years**
- (21) Appl. No.: **29/291,187**
- (22) Filed: **Aug. 17, 2007**
- (51) **LOC (8) Cl.** **08-05**
- (52) **U.S. Cl.** **D8/71**
- (58) **Field of Classification Search** D6/553;
D8/14, 70, 71, 349, 354, 373; D13/107,
D13/108; D15/140; 16/429; 29/527.1, 527.5;
206/349, 372, 373; 211/70.1, 70.6; 220/696;
248/229.15; 294/19.1, 27.1, 86.4; 299/104,
299/106; 320/107-115
See application file for complete search history.

- D532,746 S 11/2006 Meyers et al.
- D555,087 S * 11/2007 Brefka et al. D13/107
- D557,114 S * 12/2007 Lorman D8/354
- D561,182 S * 2/2008 Jenkins et al. D14/253
- D564,445 S * 3/2008 Stratford D13/108
- D567,270 S * 4/2008 Chiang D15/140
- D567,618 S * 4/2008 Agronin et al. D8/71

* cited by examiner

Primary Examiner—Sandra Snapp
Assistant Examiner—Patricia Palasik
(74) *Attorney, Agent, or Firm*—Maginot, Moore & Beck

(56) **References Cited**

U.S. PATENT DOCUMENTS

D208,979 S	*	10/1967	Edgerton	D8/71
D239,916 S	*	5/1976	Fortune	D8/71
D301,455 S		6/1989	Hotsumi et al.		
D315,330 S		3/1991	Soren et al.		
D316,416 S		4/1991	Cant et al.		
D319,061 S		8/1991	Powell et al.		
D335,676 S	*	5/1993	Szybura	D8/71
D349,485 S		8/1994	Richards et al.		
D358,813 S		5/1995	Hellier et al.		
D367,651 S		3/1996	Hellier et al.		
D393,790 S	*	4/1998	King, Jr.	D8/71
D402,957 S		12/1998	Kuwayama et al.		
D427,564 S		7/2000	Wu		
D442,001 S	*	5/2001	Loveless	D6/553
D446,854 S		8/2001	Cheney, II et al.		
D461,447 S		8/2002	Nawrozki		
D474,736 S	*	5/2003	Sagawa	D13/108
D488,439 S	*	4/2004	Orthey	D13/107
D493,422 S		7/2004	Krieger et al.		
D501,191 S	*	1/2005	Siebke	D14/149
D510,004 S	*	9/2005	Heun	D8/14
D516,075 S		2/2006	Amani et al.		
D523,809 S	*	6/2006	Roth et al.	D13/108

(57) **CLAIM**

The ornamental design for a tool holder, as shown and described.

DESCRIPTION

FIG. 1 is a perspective view a tool holder showing our new design;

FIG. 2 is a left side elevational view showing the design for the tool holder of FIG. 1;

FIG. 3 is a right side elevational view showing the design for the tool holder of FIG. 1;

FIG. 4 is a top elevational view showing the design for the tool holder of FIG. 1;

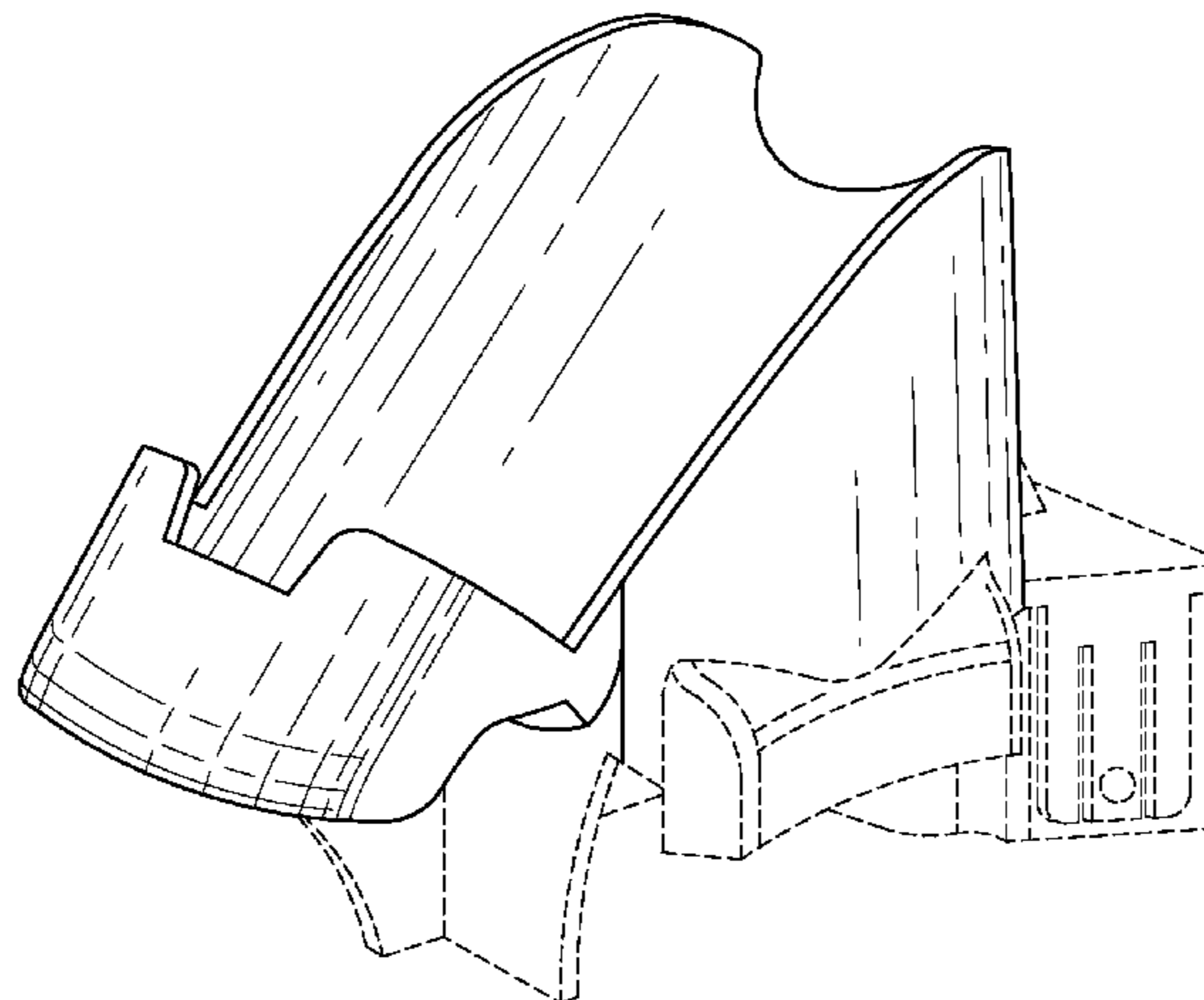
FIG. 5 is a bottom elevational view showing the design for the tool holder of FIG. 1;

FIG. 6 is a front elevational view showing the design for the tool holder of FIG. 1; and,

FIG. 7 is a rear elevational view showing the design for the tool holder of FIG. 1.

In FIGS. 1-7, the broken lines showing of various items including (i) the coupling component at the rear portion of the tool holder (FIGS. 1-7), (ii) the support structure at left side portion of the tool holder (FIGS. 1-2 and 4-7), and (iii) the support structure at the bottom portion of the tool holder (FIGS. 1-3 and 5-7) is for illustrative purposes only and forms no part of the claimed design.

1 Claim, 4 Drawing Sheets



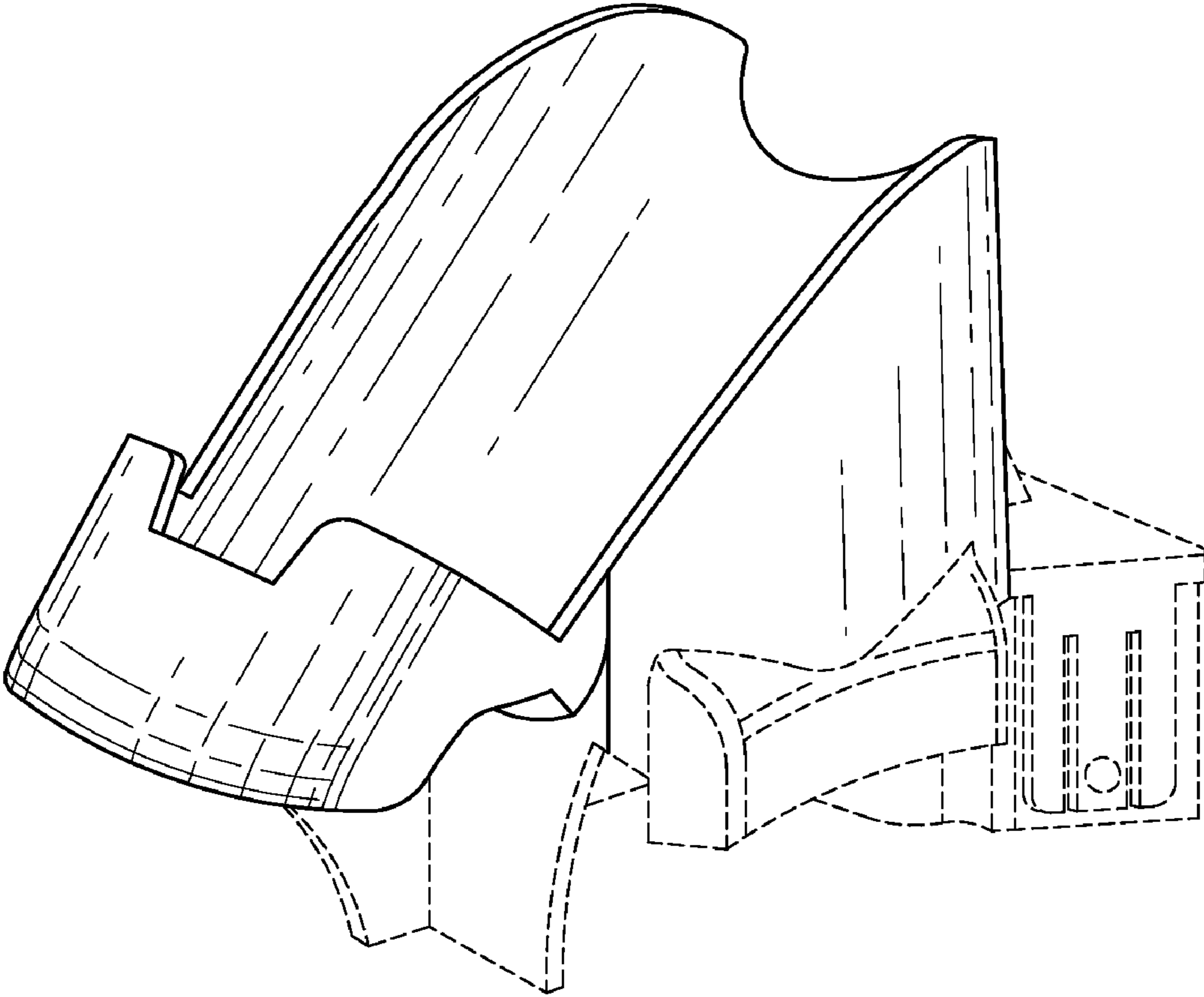


Fig. 1

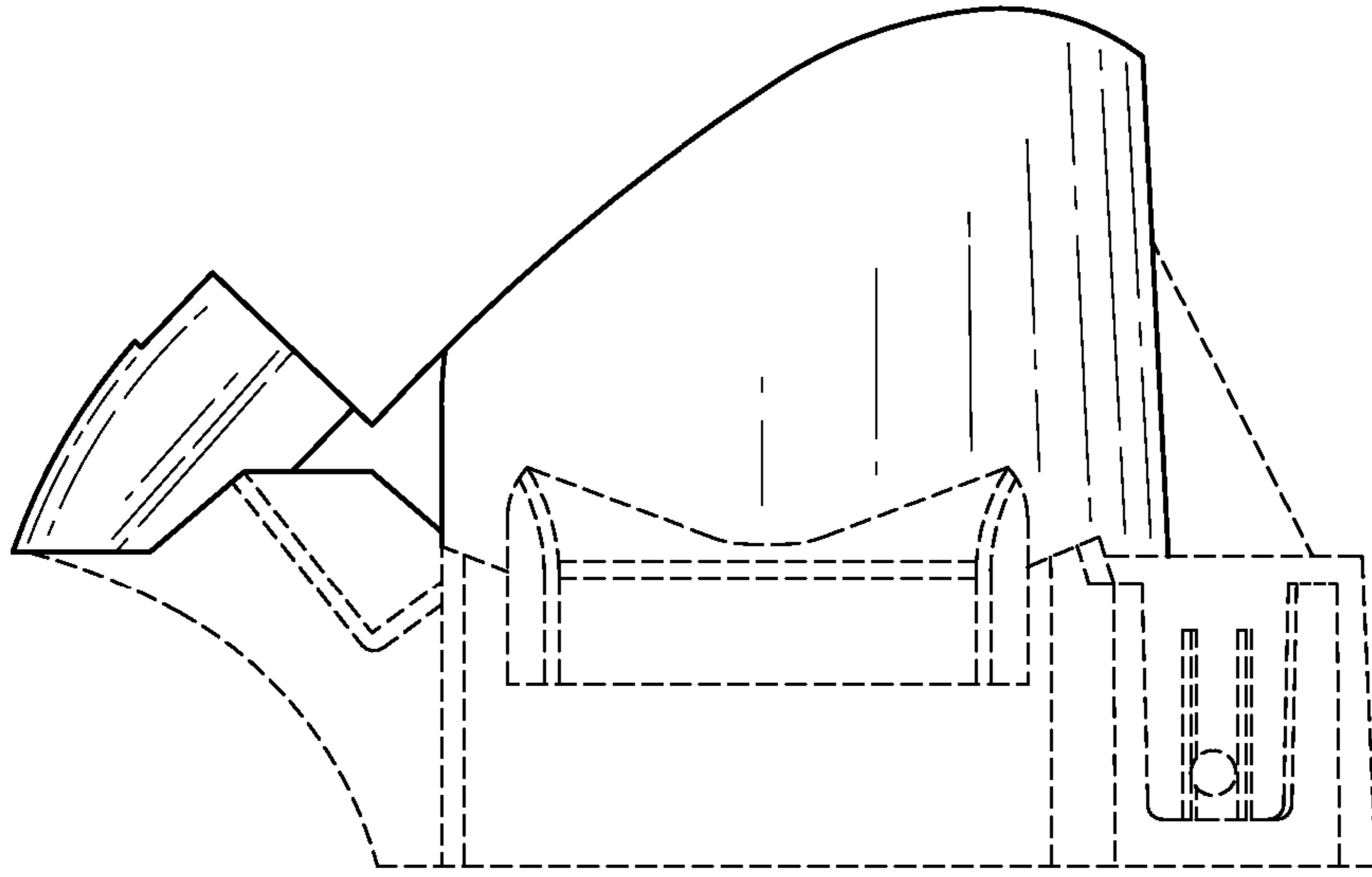


Fig. 2

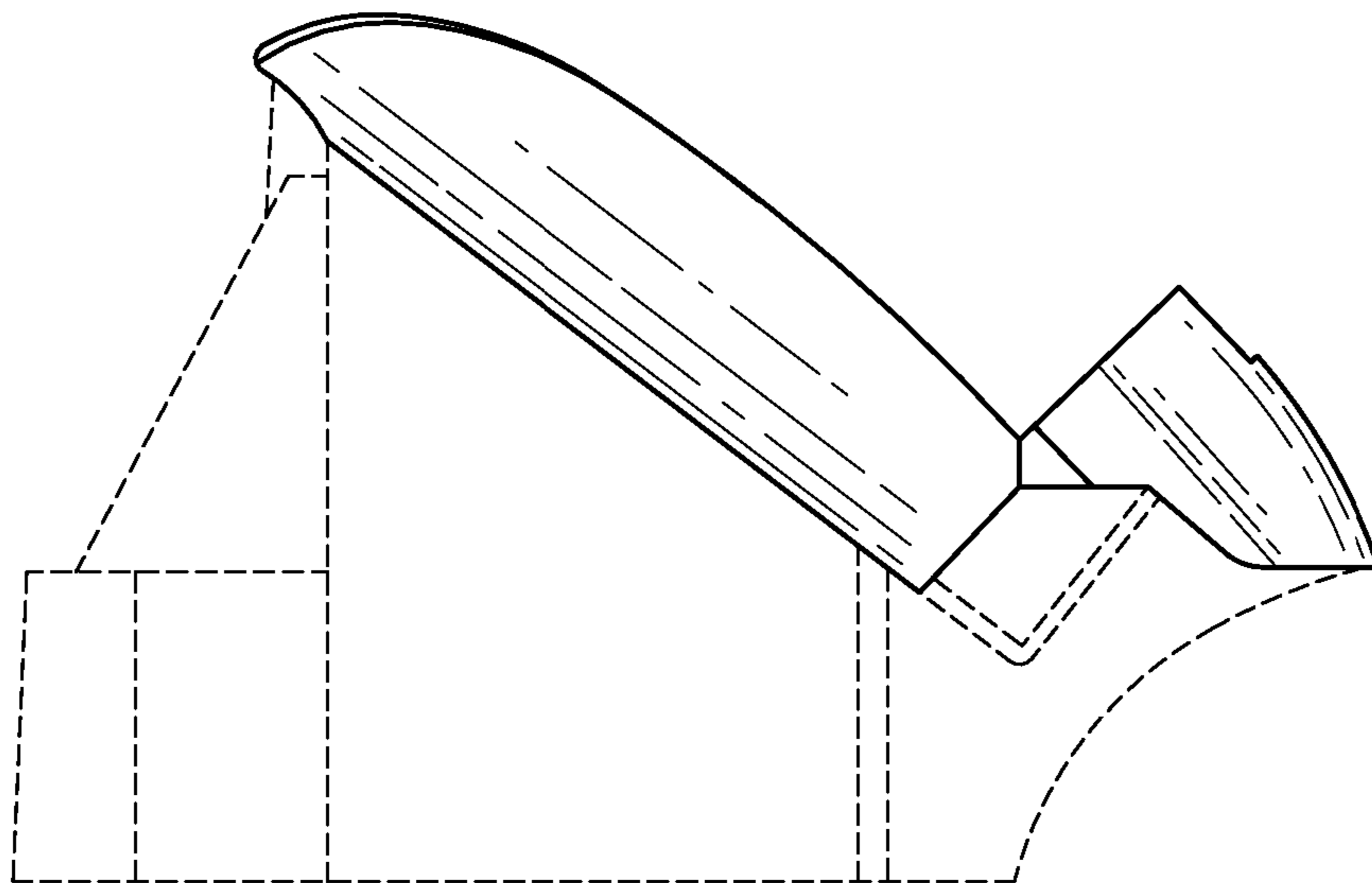


Fig. 3

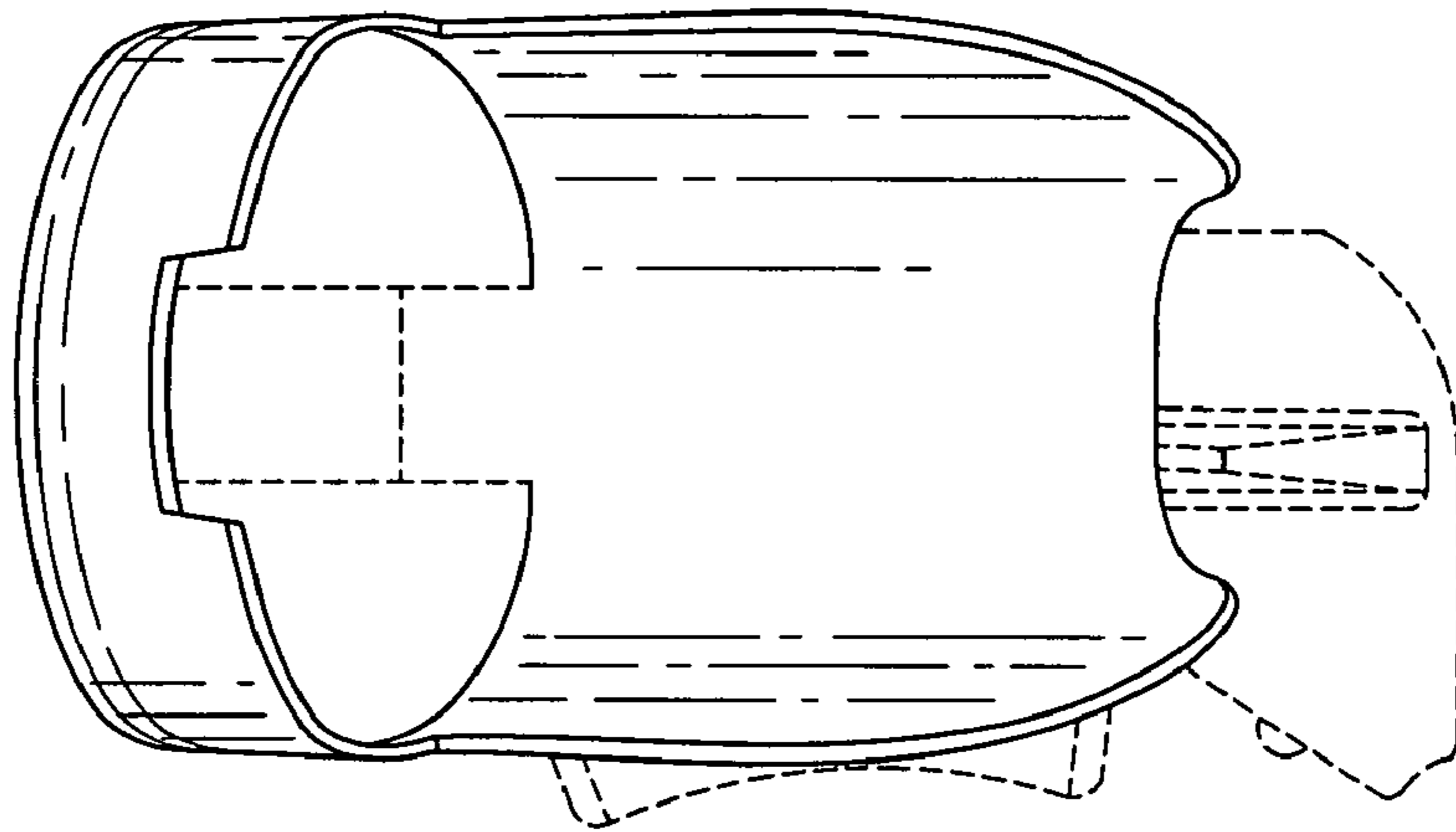


Fig. 4

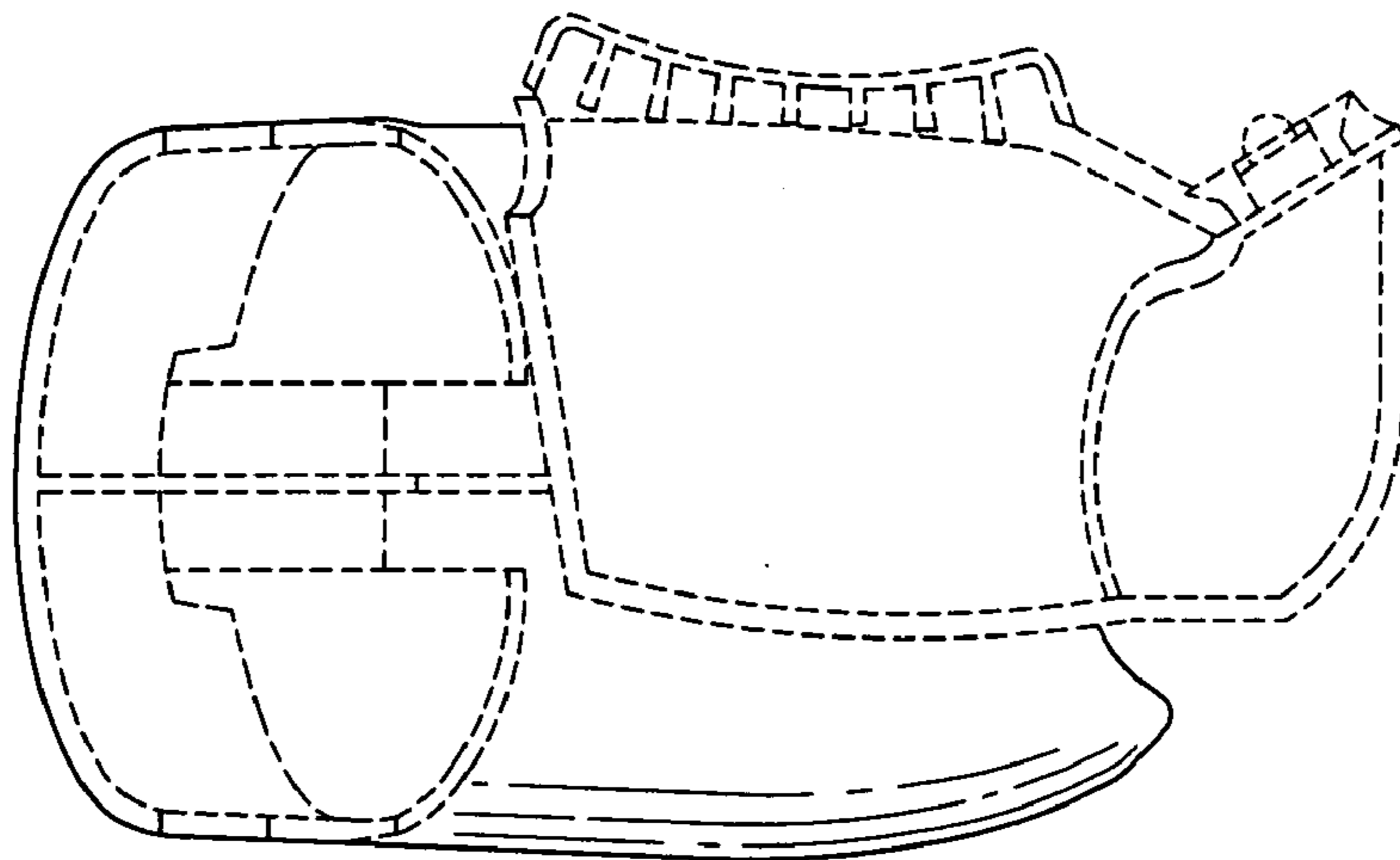


Fig. 5

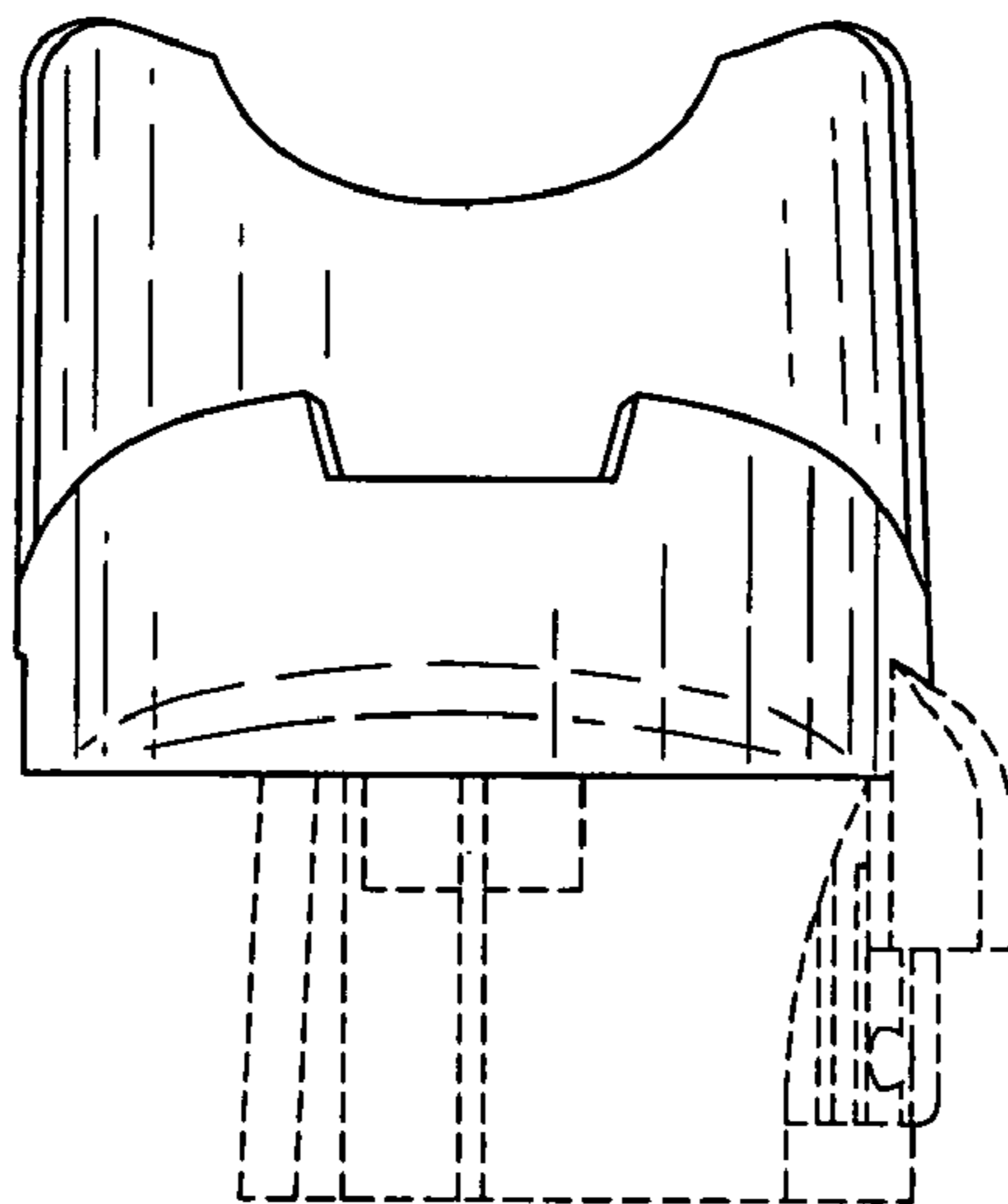


Fig. 6

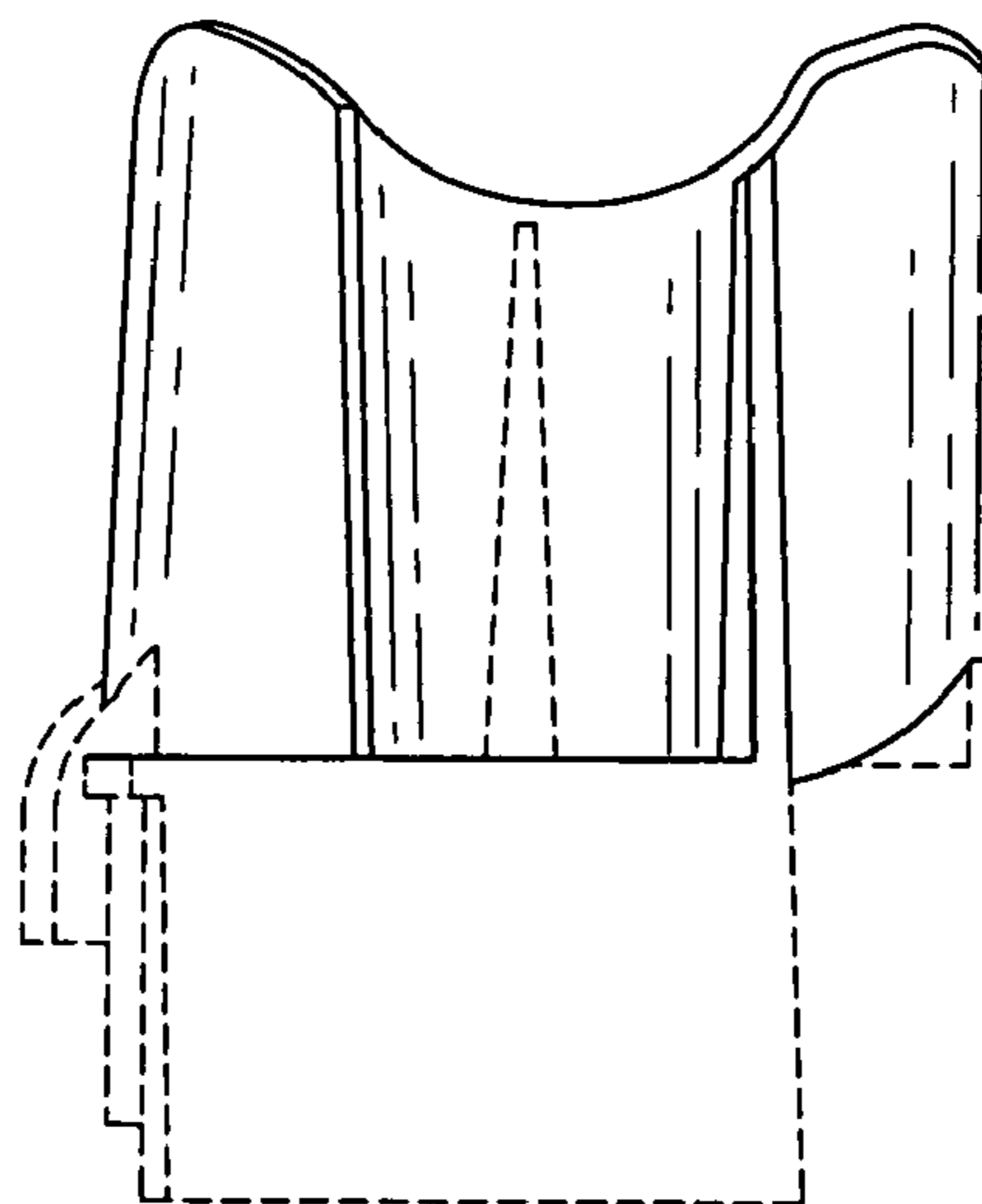


Fig. 7