



US00D578854S

(12) **United States Design Patent**
Lopano

(10) **Patent No.:** **US D578,854 S**
(45) **Date of Patent:** **** *Oct. 21, 2008**

(54) **IMPACT DRIVER**

(75) Inventor: **Daniel N. Lopano**, Bel Air, MD (US)
(73) Assignee: **Black & Decker Inc.**, Newark, DE (US)
(*) Notice: This patent is subject to a terminal disclaimer.
(**) Term: **14 Years**
(21) Appl. No.: **29/284,287**
(22) Filed: **Sep. 5, 2007**

D508,642	S	*	8/2005	Kokawa et al.	D8/68
D512,891	S	*	12/2005	Aglassinger	D8/68
D514,910	S	*	2/2006	Nagasaka et al.	D8/68
D515,375	S	*	2/2006	Tsang et al.	D8/68
D519,808	S	*	5/2006	Otsuka et al.	D8/68
D520,834	S	*	5/2006	Furuta et al.	D8/68
D525,099	S	*	7/2006	Nagasaka et al.	D8/68
7,090,032	B2	*	8/2006	Wada et al.	173/217
7,108,079	B2	*	9/2006	Sakai et al.	173/217
7,140,451	B2	*	11/2006	Yoshimizu et al.	173/171
2005/0155778	A1	*	7/2005	Ishida et al.	173/170
2006/0175069	A1	*	8/2006	Sakakibara et al.	173/217
2007/0056760	A1	*	3/2007	Yoshimizu et al.	173/217

Related U.S. Application Data

(63) Continuation of application No. 29/278,058, filed on Mar. 19, 2007.

(51) **LOC (8) Cl.** **08-05**
(52) **U.S. Cl.** **D8/68**
(58) **Field of Classification Search** D8/14.1, D8/61, 62, 63, 64, 65, 66, 67, 68, 69, 70; D18/57.11, 429, 454-456, 469, 489; 173/13, 173/104, 114, 168-171, 178, 201, 211, 213, 173/217; 408/20, 124, 125, 234, 241 R; 451/358; 310/50; 227/8, 113, 114, 120, 227/130, 136, 142; D13/103
See application file for complete search history.

(56) **References Cited**

U.S. PATENT DOCUMENTS

D392,863	S	*	3/1998	Sugimoto et al.	D8/68
D462,594	S	*	9/2002	Flickinger	D8/68
D477,205	S	*	7/2003	Sakai et al.	D8/68
D493,344	S	*	7/2004	Watson	D8/68
D494,435	S	*	8/2004	Hayakawa et al.	D8/68
D503,879	S	*	4/2005	Watson	D8/68
D505,055	S	*	5/2005	Nagasaka et al.	D8/68
6,905,052	B2	*	6/2005	Sakai et al.	173/217

FOREIGN PATENT DOCUMENTS

GB 3003854 S * 5/2002

* cited by examiner

Primary Examiner—T. Chase Nelson

(74) *Attorney, Agent, or Firm*—Michael P. Leary; Adan Ayala

(57) **CLAIM**

The ornamental design for an impact driver, as shown and described.

DESCRIPTION

FIG. 1 is a right/front perspective view of an impact driver showing my new design.

FIG. 2 is a front view thereof.

FIG. 3 is a rear view thereof.

FIG. 4 is a right side view thereof.

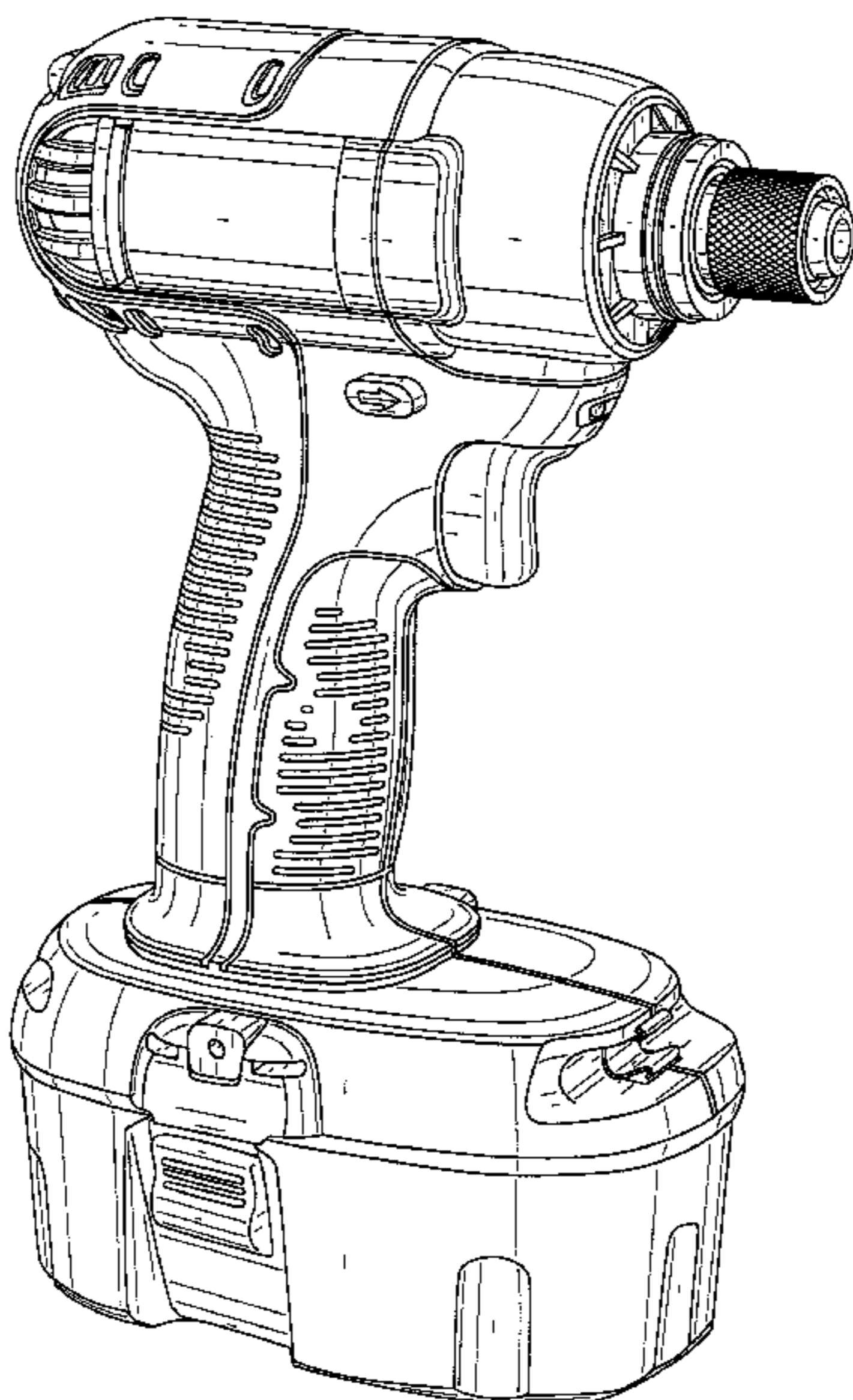
FIG. 5 is a left side view thereof.

FIG. 6 is a top view thereof; and,

FIG. 7 is a bottom view thereof.

The broken lines and the areas within the broken lines form no part of the claimed ornamental design.

1 Claim, 7 Drawing Sheets



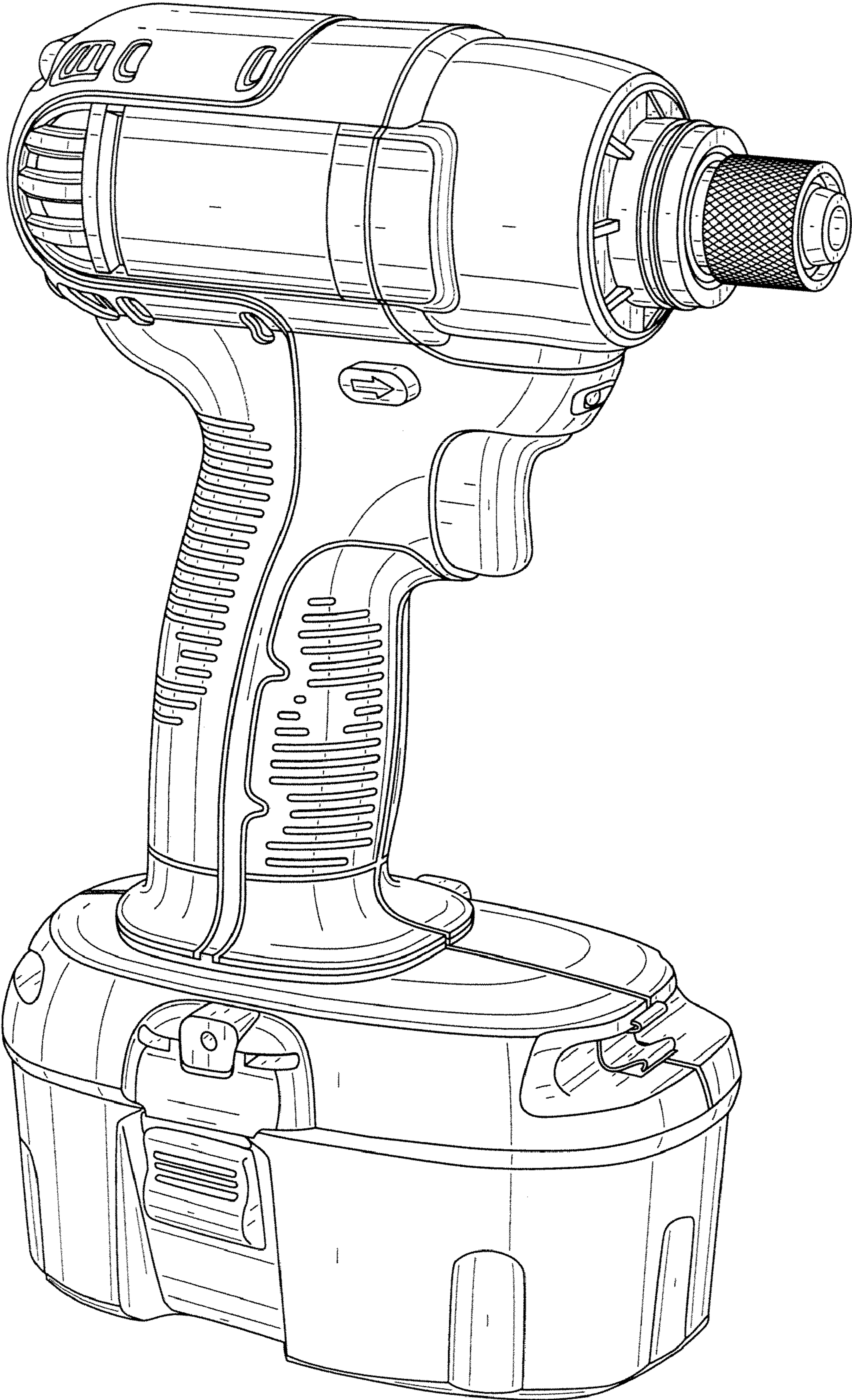


FIG. 1

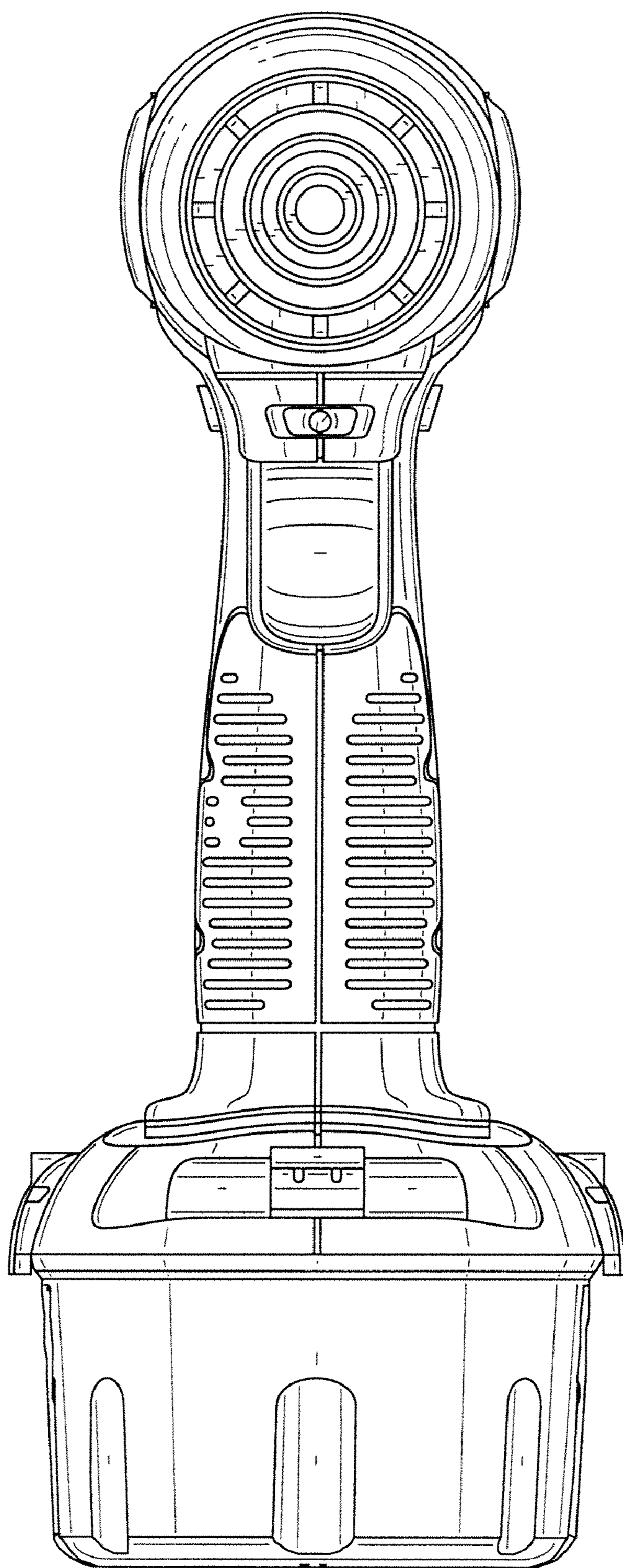


FIG. 2

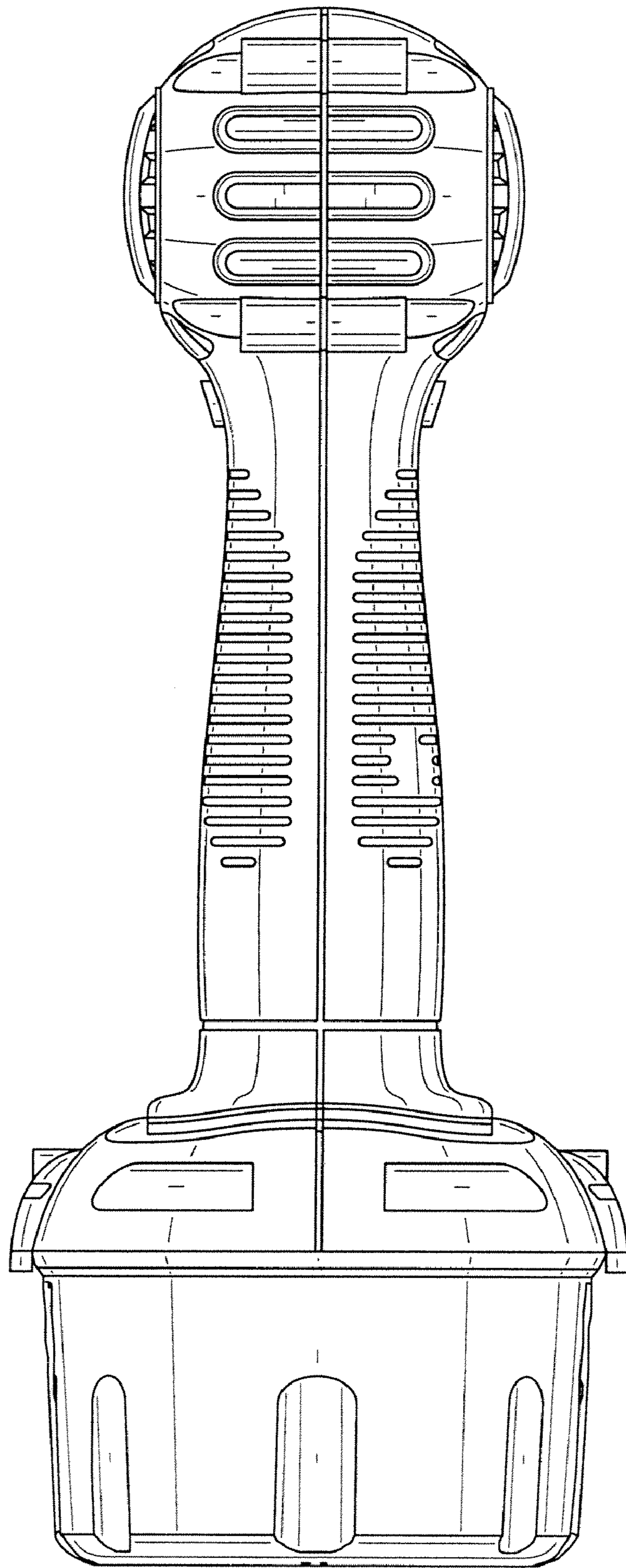


FIG. 3

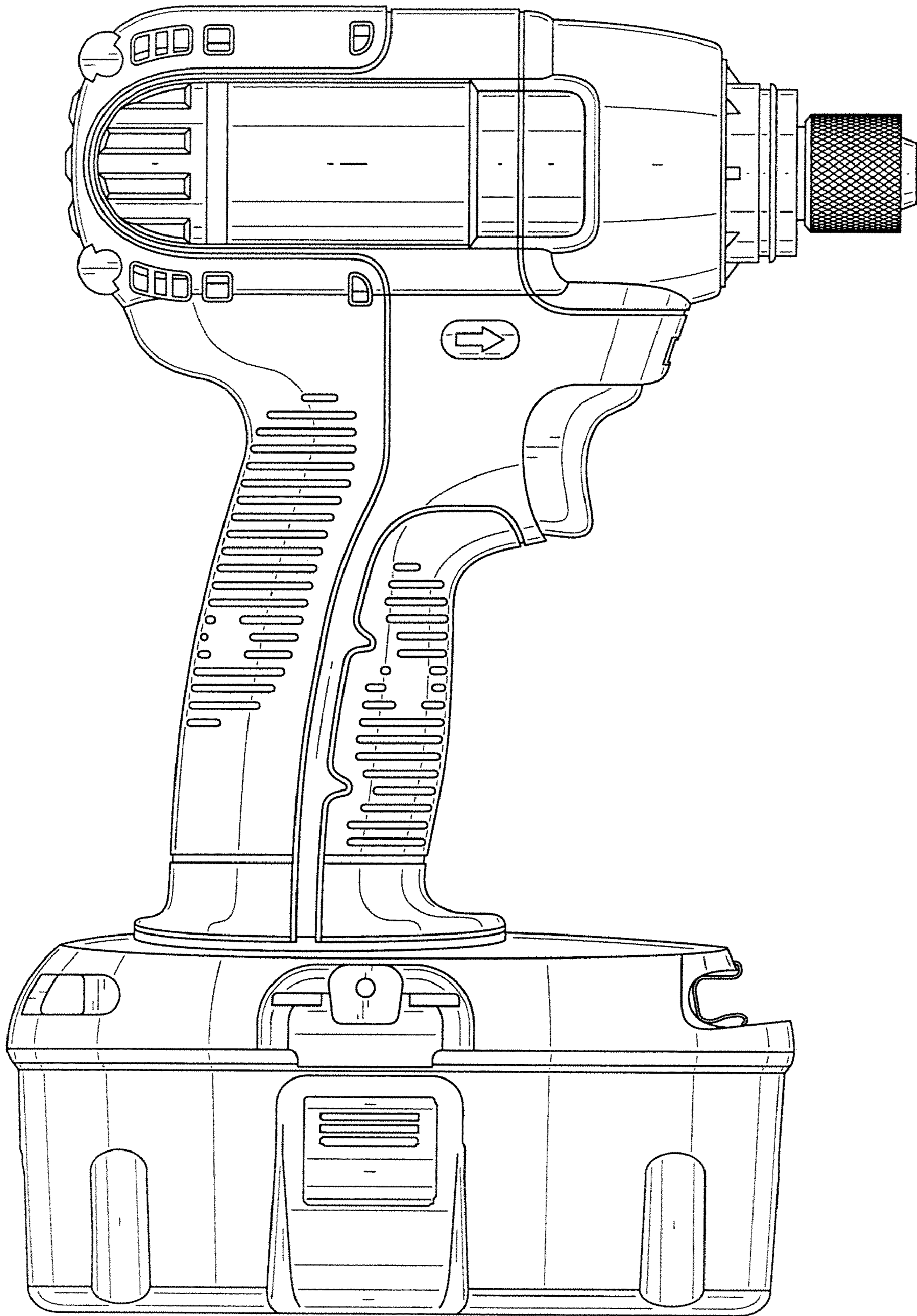


FIG. 4

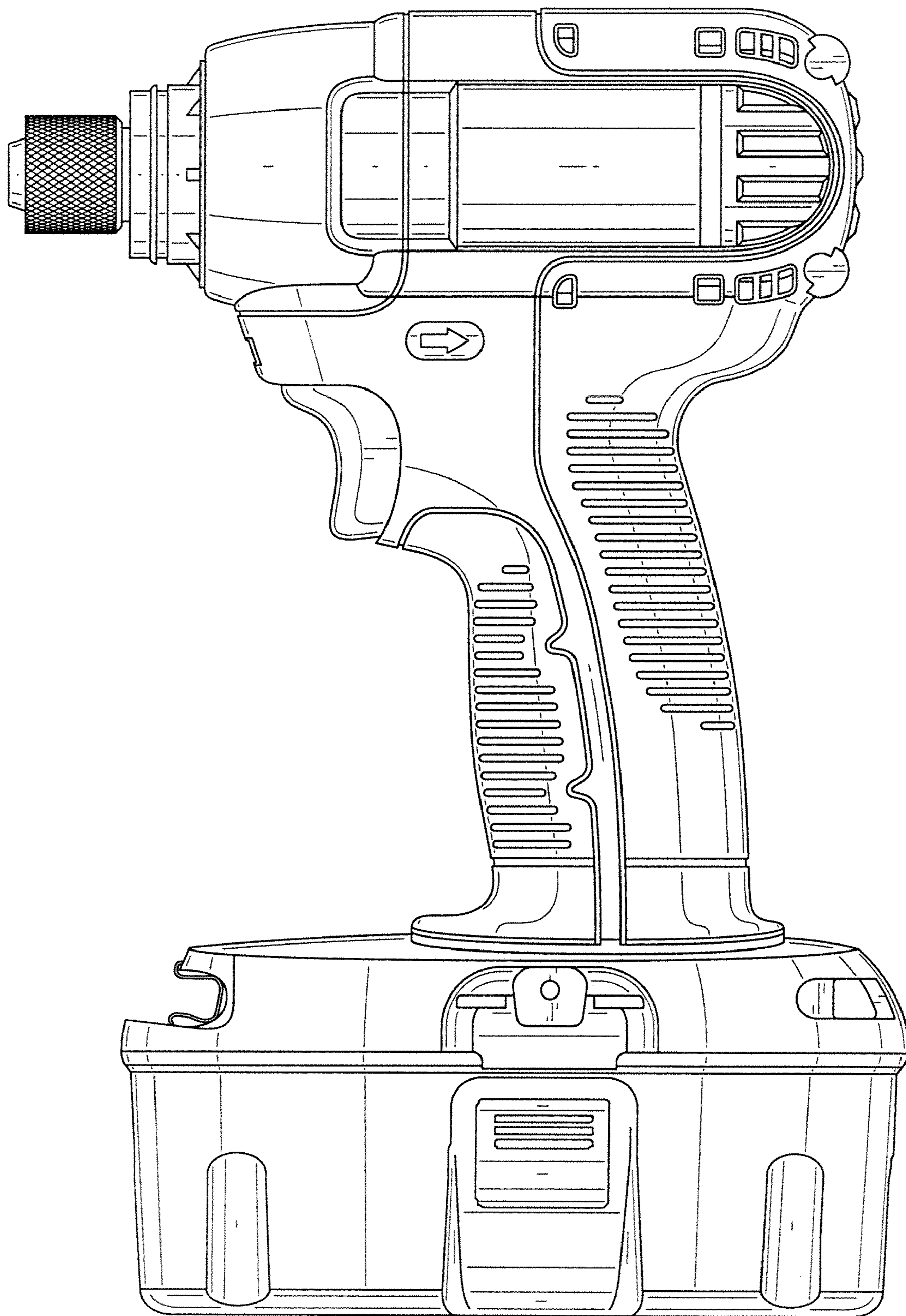


FIG. 5

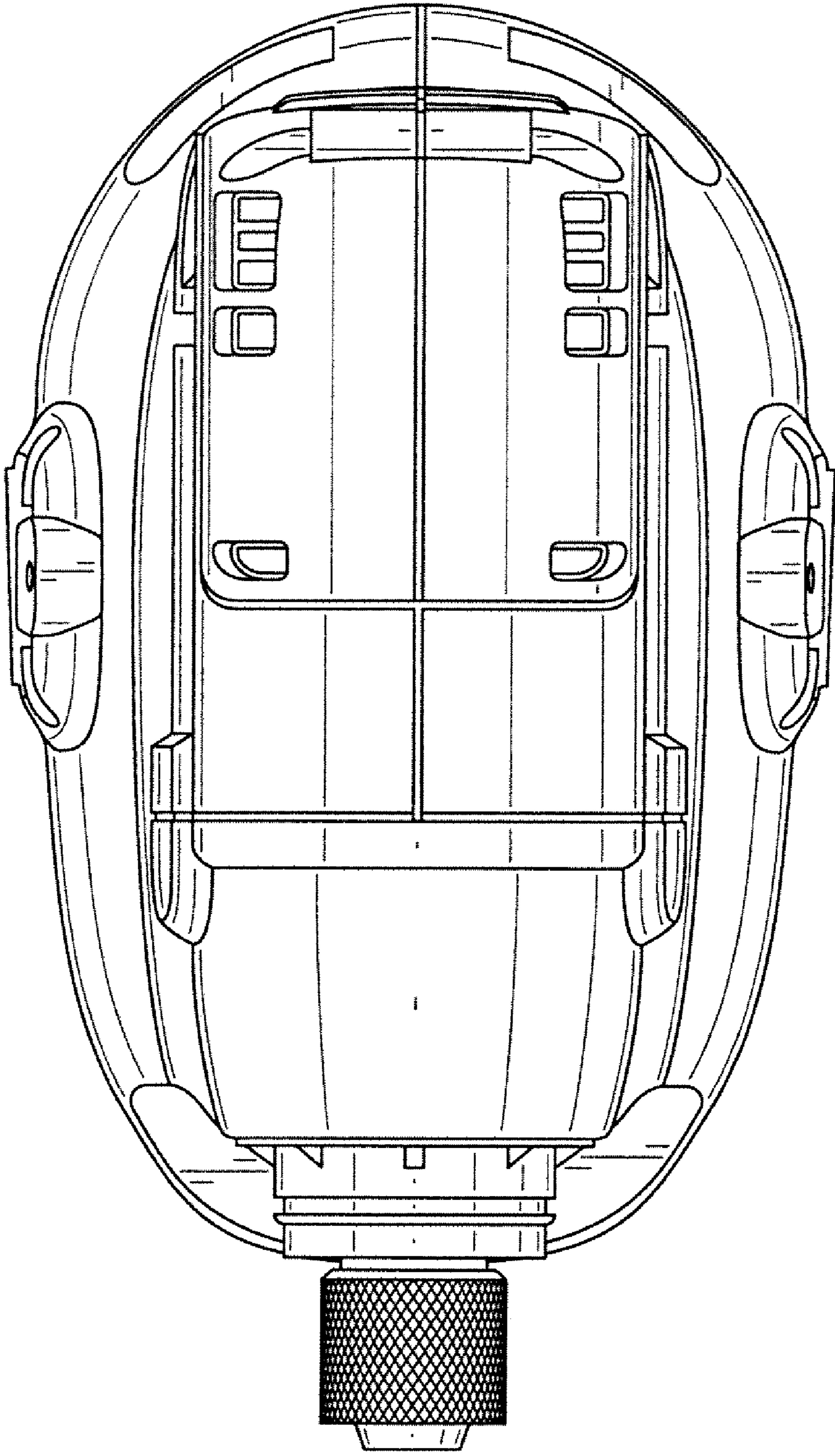


FIG. 6

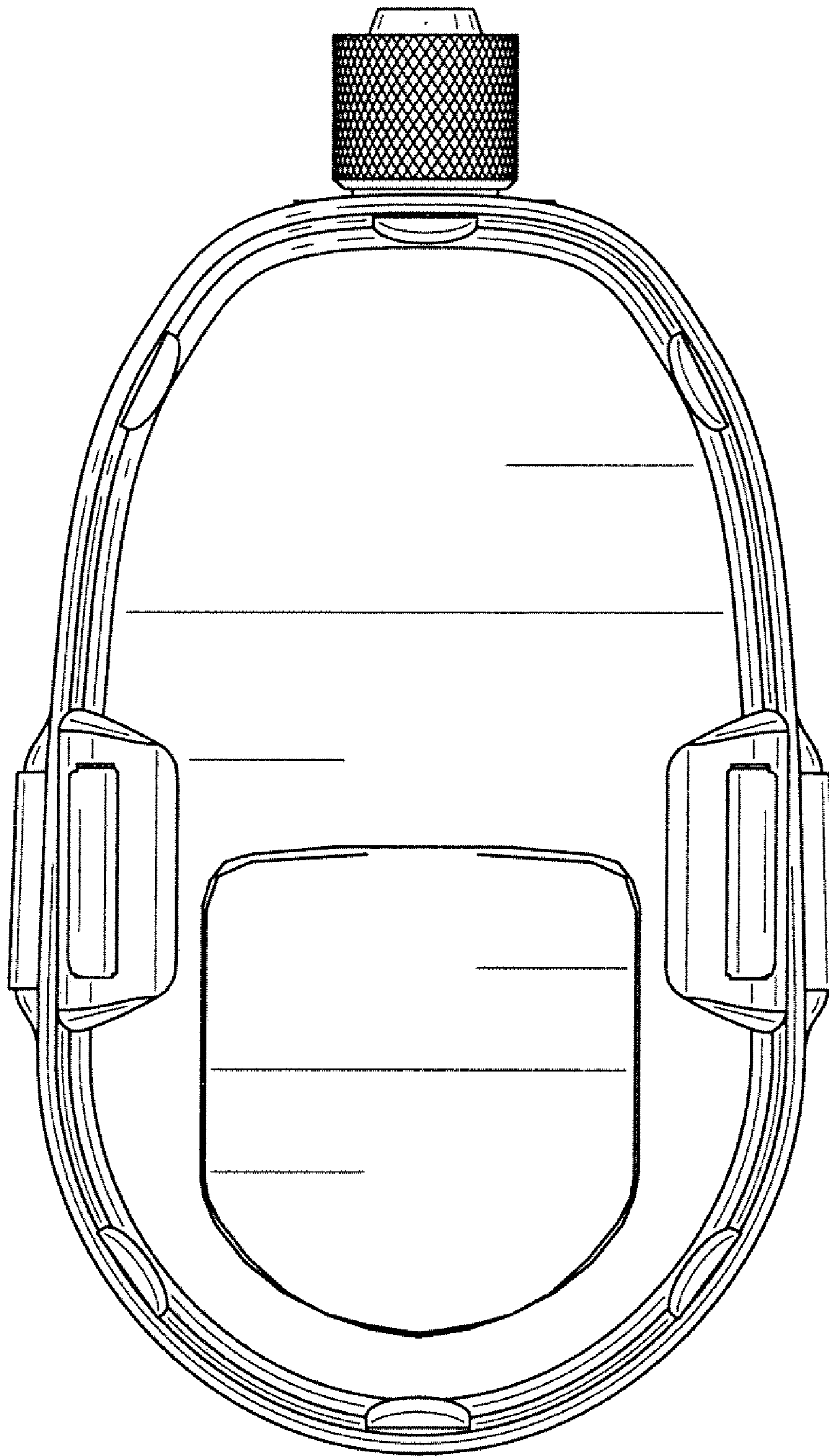


FIG. 7