



US00D578853S

(12) **United States Design Patent**
Gallagher et al.

(10) **Patent No.:** **US D578,853 S**
(45) **Date of Patent:** **** Oct. 21, 2008**

(54) **CIRCULAR SAW**

D528,391 S 9/2006 Netzler
D539,108 S * 3/2007 Roberts D8/66
D559,645 S * 1/2008 Okuda et al. D8/66

(75) Inventors: **P. Sean Gallagher**, Arlington Heights, IL (US); **Jason S. Lind**, Bent Harbor, MI (US)

* cited by examiner

(73) Assignee: **Robert Bosch GmbH**, Stuttgart (DE)

Primary Examiner—Cathron Brooks

Assistant Examiner—Austin Murphy

(**) Term: **14 Years**

(74) *Attorney, Agent, or Firm*—Maginot, Moore & Beck

(21) Appl. No.: **29/293,637**

(57) **CLAIM**

(22) Filed: **Dec. 5, 2007**

The ornamental design for a circular saw, as shown and described.

(51) **LOC (8) Cl.** **08-03**

DESCRIPTION

(52) **U.S. Cl.** **D8/66**

FIG. 1 is a right side perspective view of a circular saw showing our new design;

(58) **Field of Classification Search** D8/69,
D8/68, 67, 66, 64, 61, 70; 83/698.41, 747,
83/166.3, 374, 373, 375, 376, 391, 377, 390,
83/388, 389; 125/13.01; 144/218

FIG. 2 is a left side perspective view showing the design for the circular saw of FIG. 1;

See application file for complete search history.

FIG. 3 is a right side elevational view showing the design for the circular saw of FIG. 1;

(56) **References Cited**

FIG. 4 is a rear elevational view showing the design for the circular saw of FIG. 1.

U.S. PATENT DOCUMENTS

5,010,651	A *	4/1991	Techter et al.	303/76
D329,363	S *	9/1992	Sasaki et al.	D8/66
D334,523	S	4/1993	Hoshino et al.	
D370,162	S	5/1996	Brazell et al.	
D378,488	S	3/1997	Ito et al.	
D400,772	S	11/1998	Gallagher et al.	
5,911,482	A *	6/1999	Campbell et al.	30/390
D426,759	S	6/2000	Zurwelle et al.	
D429,133	S *	8/2000	Lui	D8/66
D475,266	S	6/2003	Sakai et al.	
6,612,038	B2 *	9/2003	Onose et al.	30/391
D488,977	S *	4/2004	Evans	D8/66
D500,438	S *	1/2005	Andriolo	D8/66
D501,776	S *	2/2005	Wu	D8/66
D501,777	S	2/2005	Wu	
D503,878	S	4/2005	Tillman et al.	
D504,297	S *	4/2005	Tillman et al.	D8/66
D520,319	S *	5/2006	Aglassinger	D8/66
D522,336	S	6/2006	Waldron	

FIG. 5 is a front elevational view showing the design for the circular saw of FIG. 1.

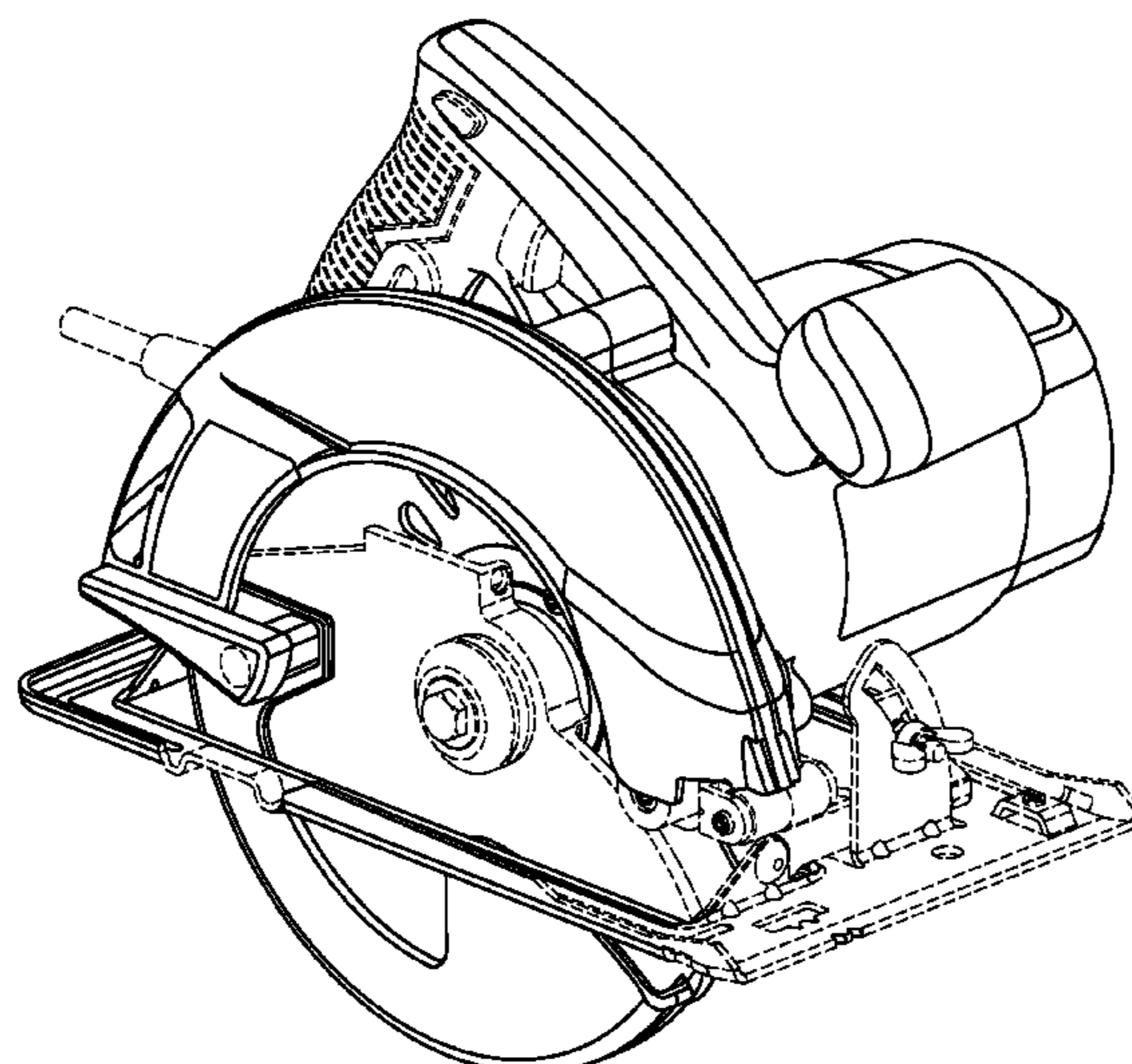
FIG. 6 is a left side elevational view showing the design for the circular saw of FIG. 1;

FIG. 7 is a top elevational view showing the design for the circular saw of FIG. 1; and,

FIG. 8 is a bottom elevational view showing the design for the circular saw of FIG. 1.

In FIGS. 1–8, the broken lines showing of various items and parts of items including the electrical cord, the fasteners and fastener openings, the base plate, the blade guard, the handle, the housing grill, the pivoting mechanisms, and the trigger switch is for illustrative purposes only and forms no part of the claimed design.

1 Claim, 8 Drawing Sheets



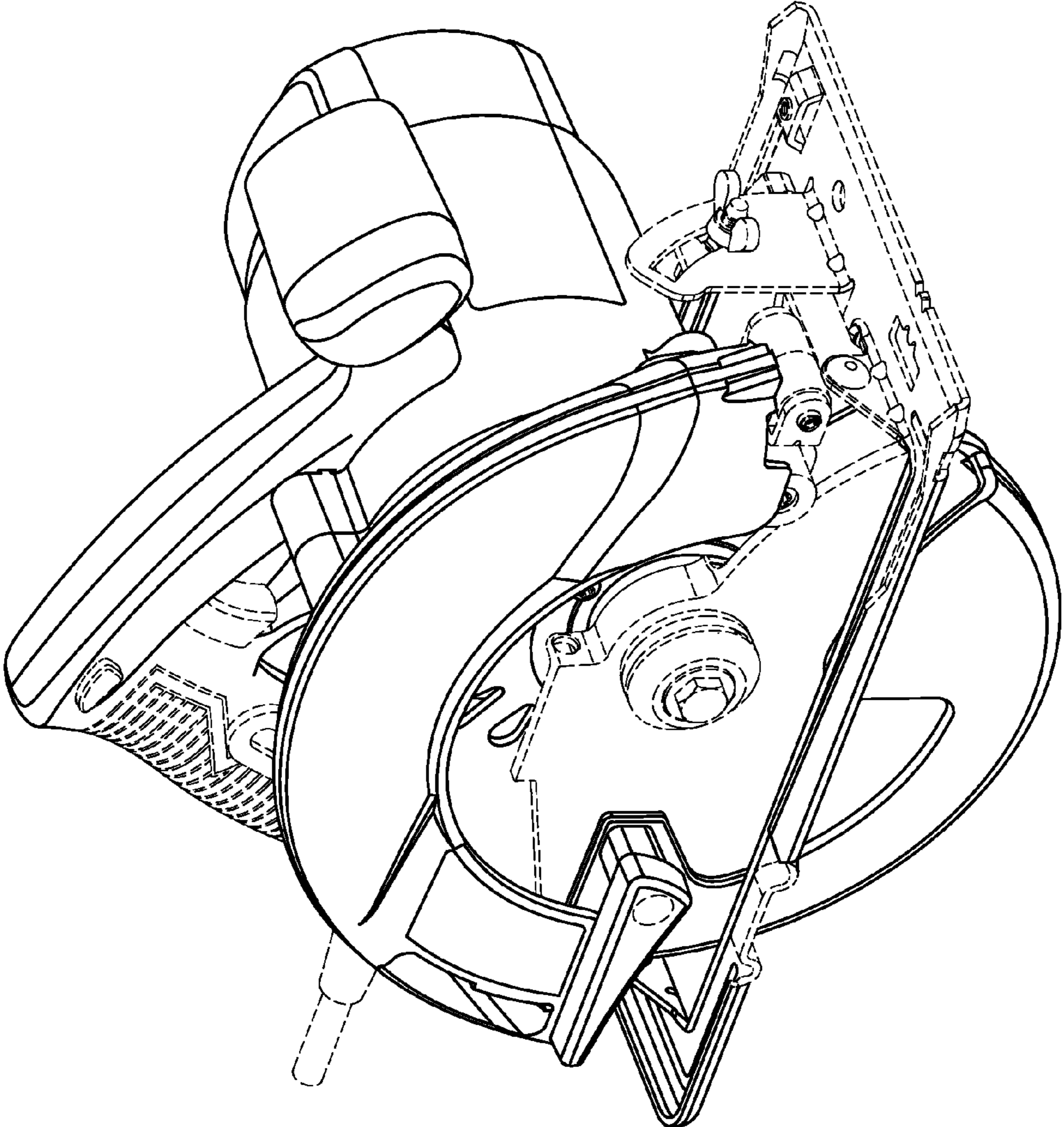


Fig. 1

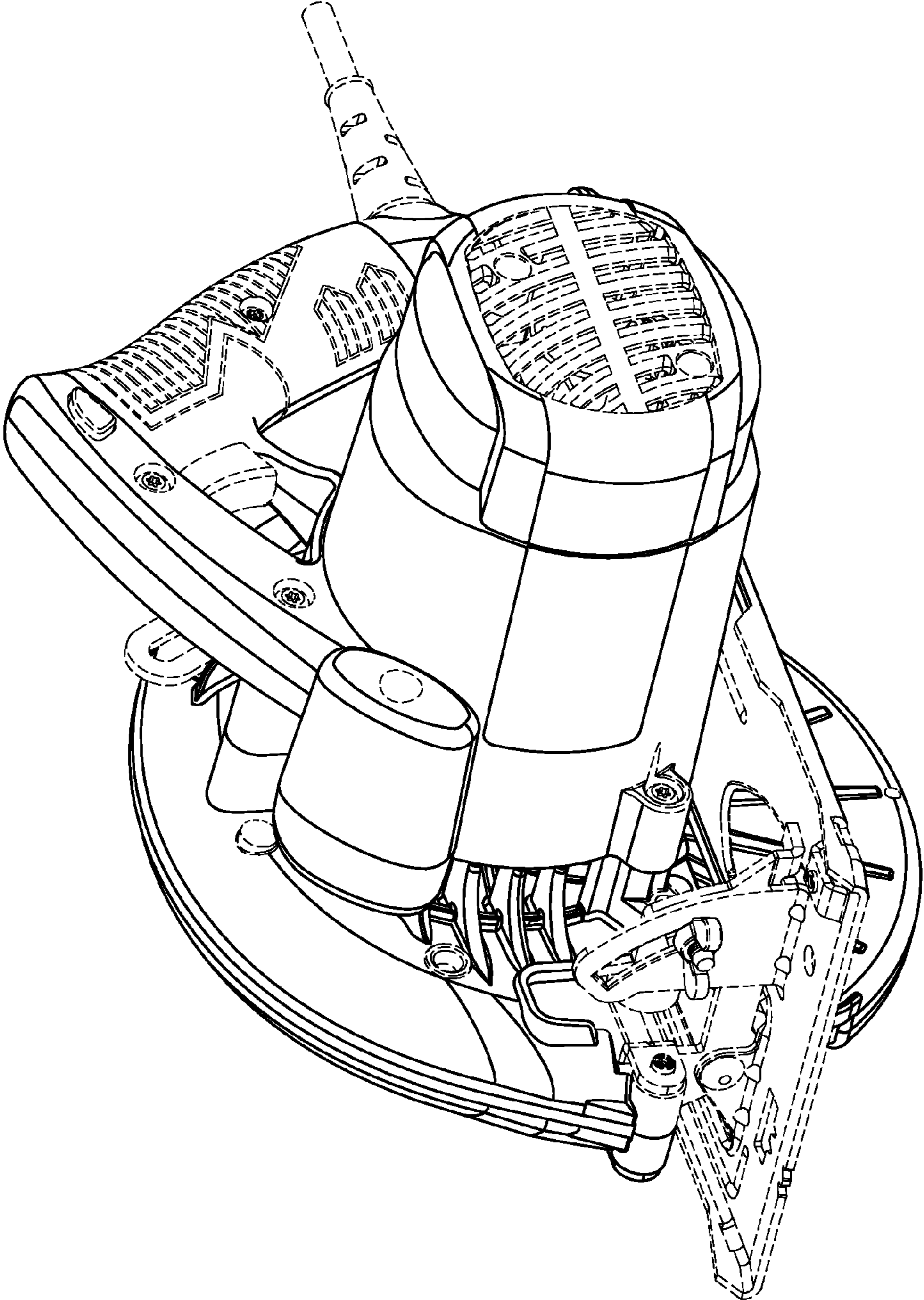


Fig. 2

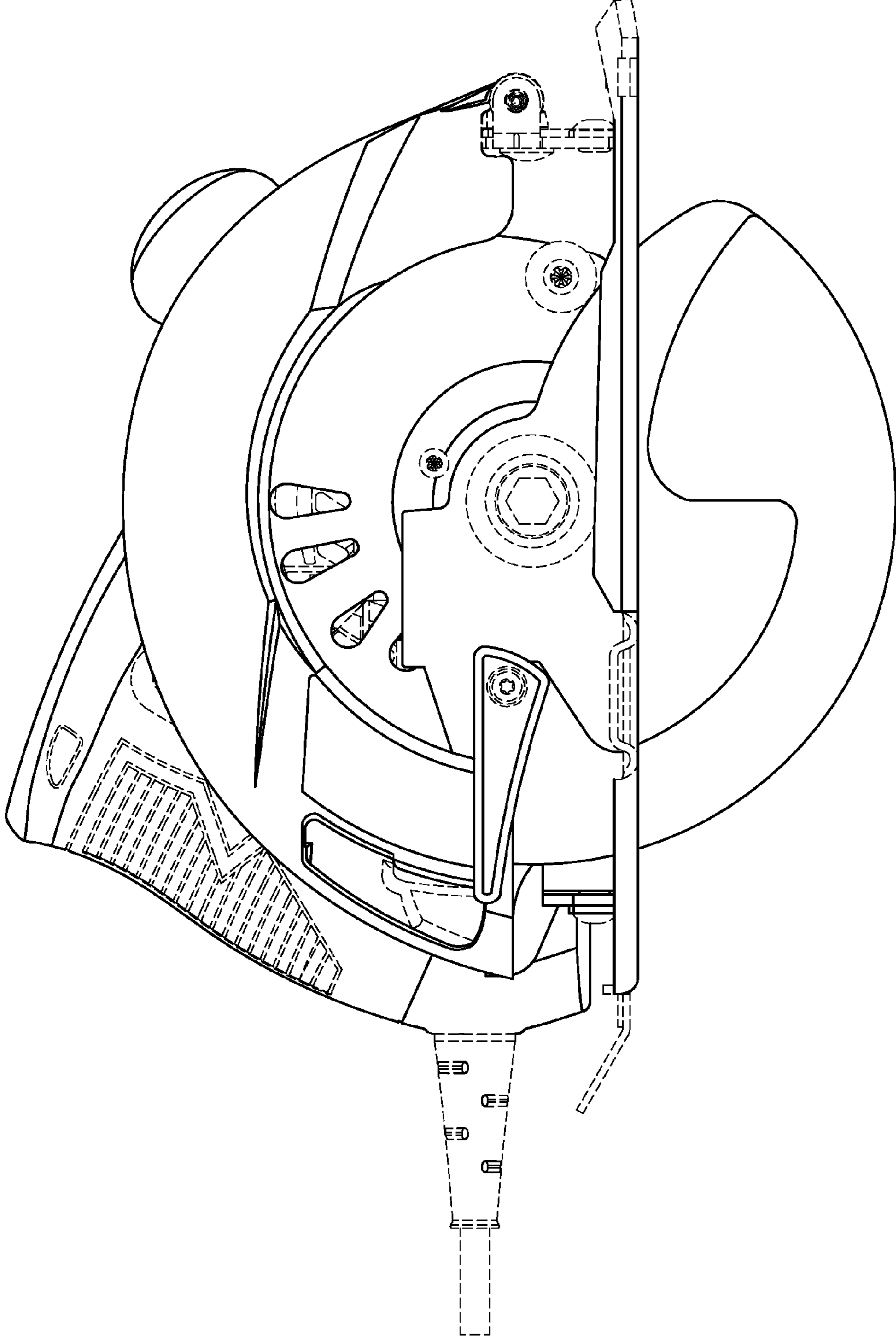


Fig. 3

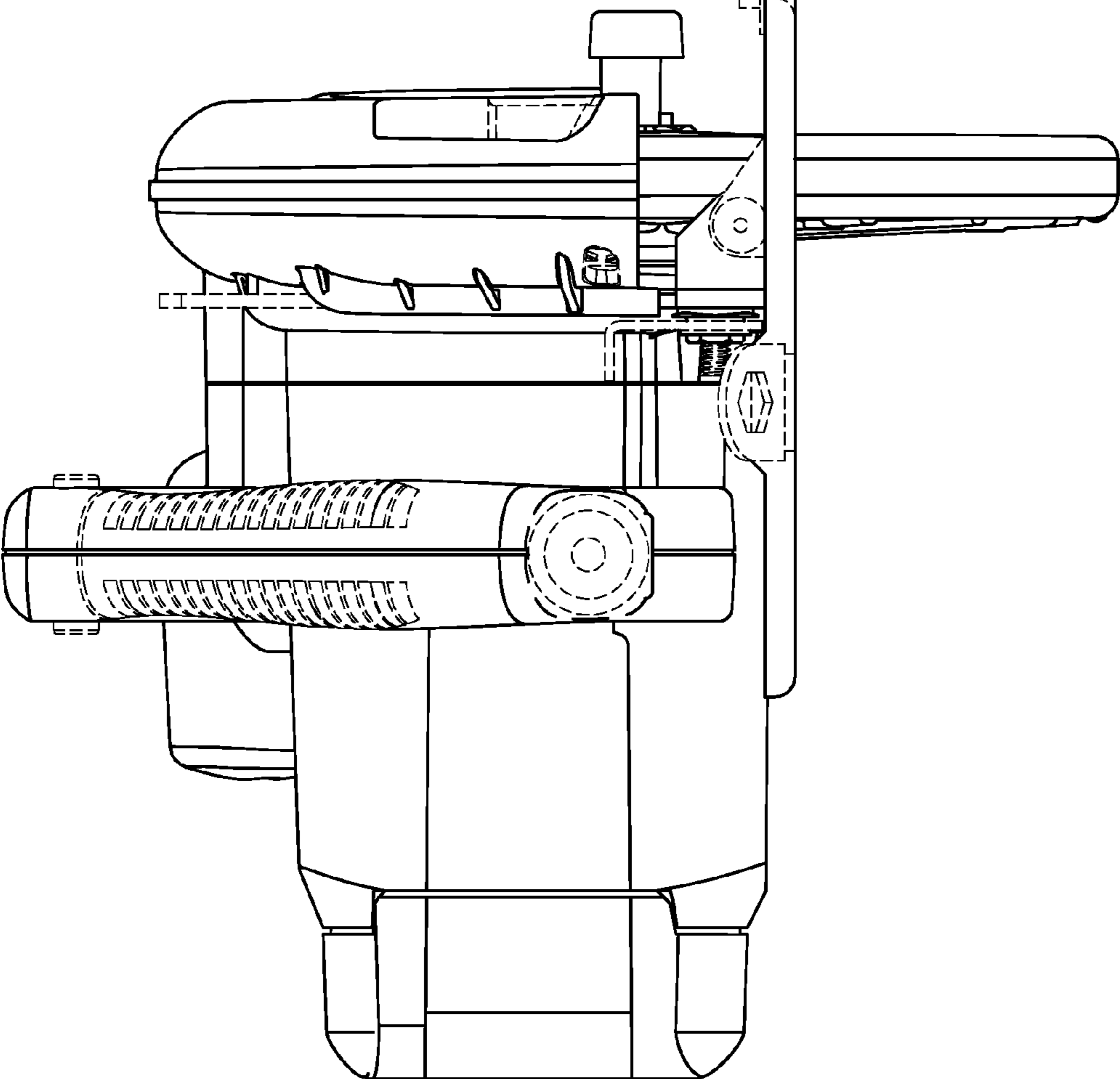


Fig. 4

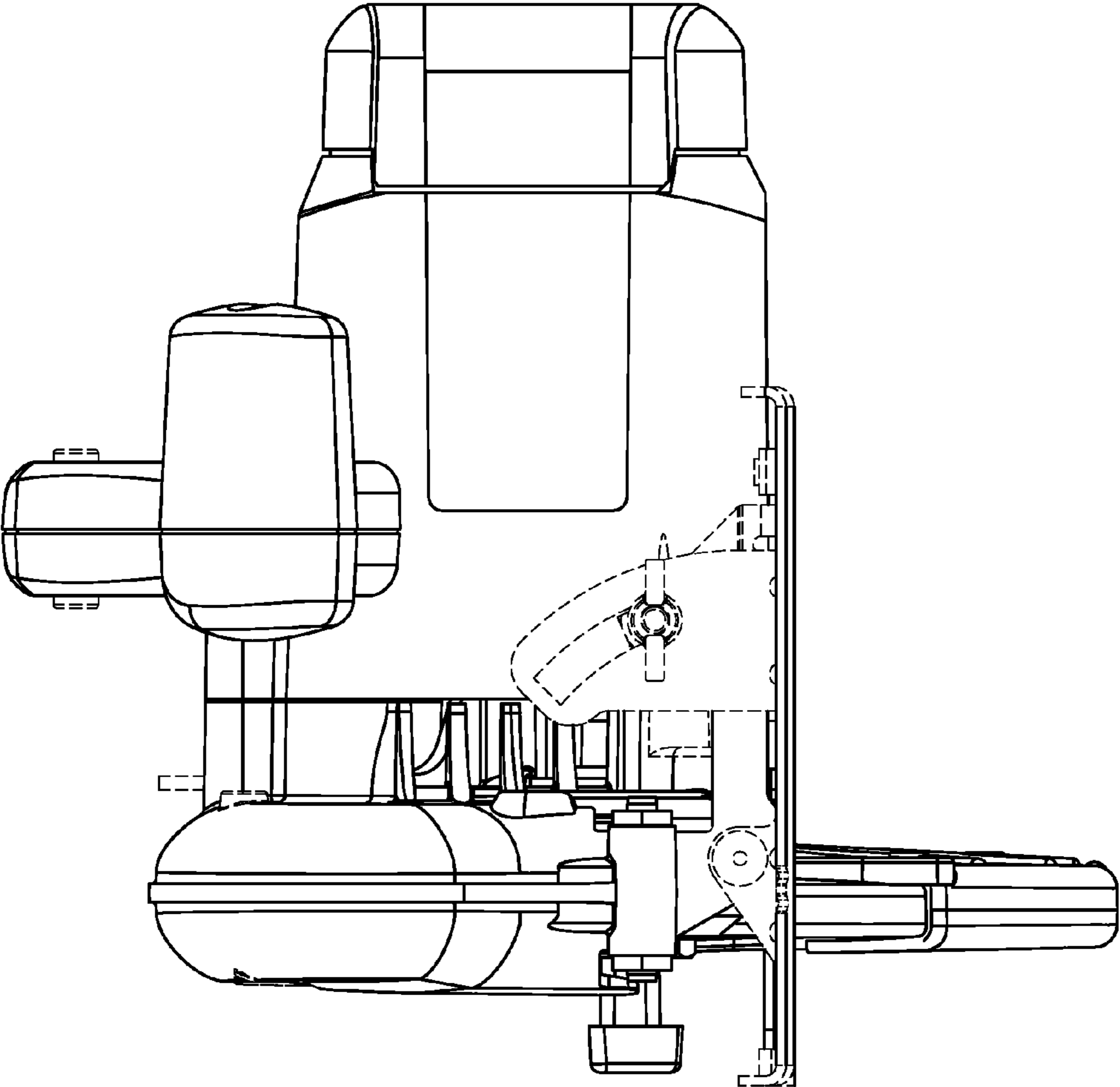


Fig. 5

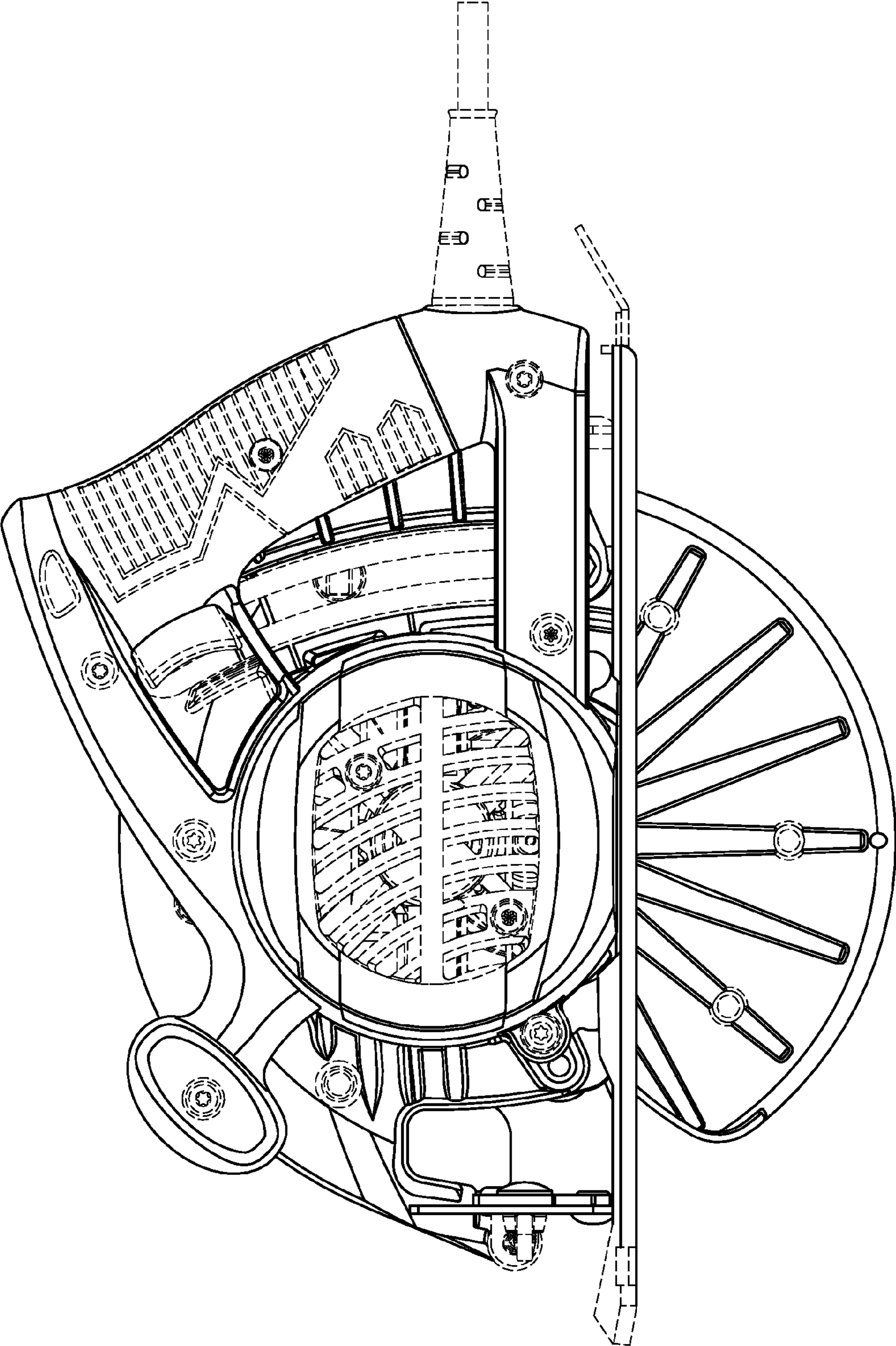


Fig. 6

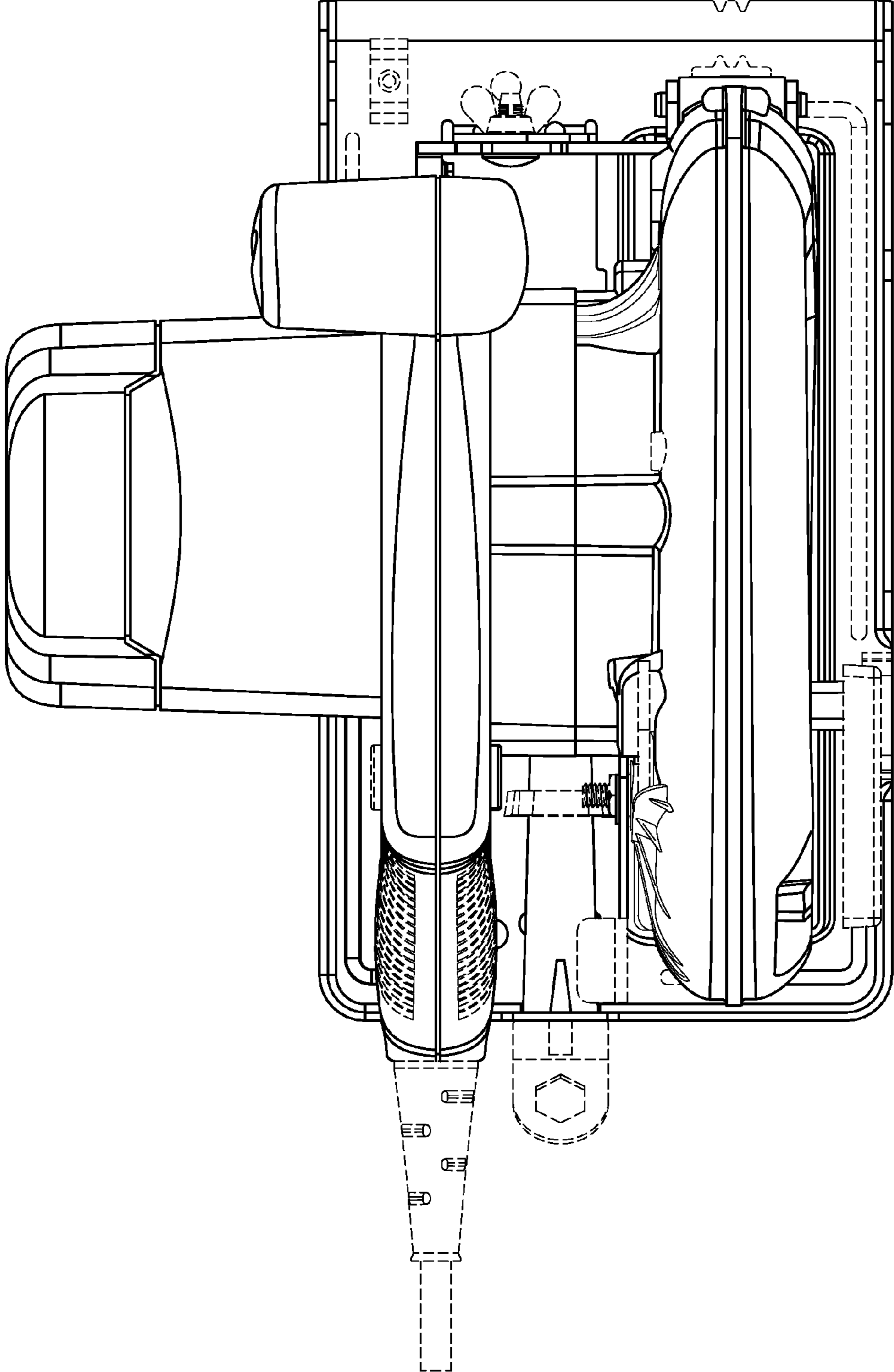


Fig. 7

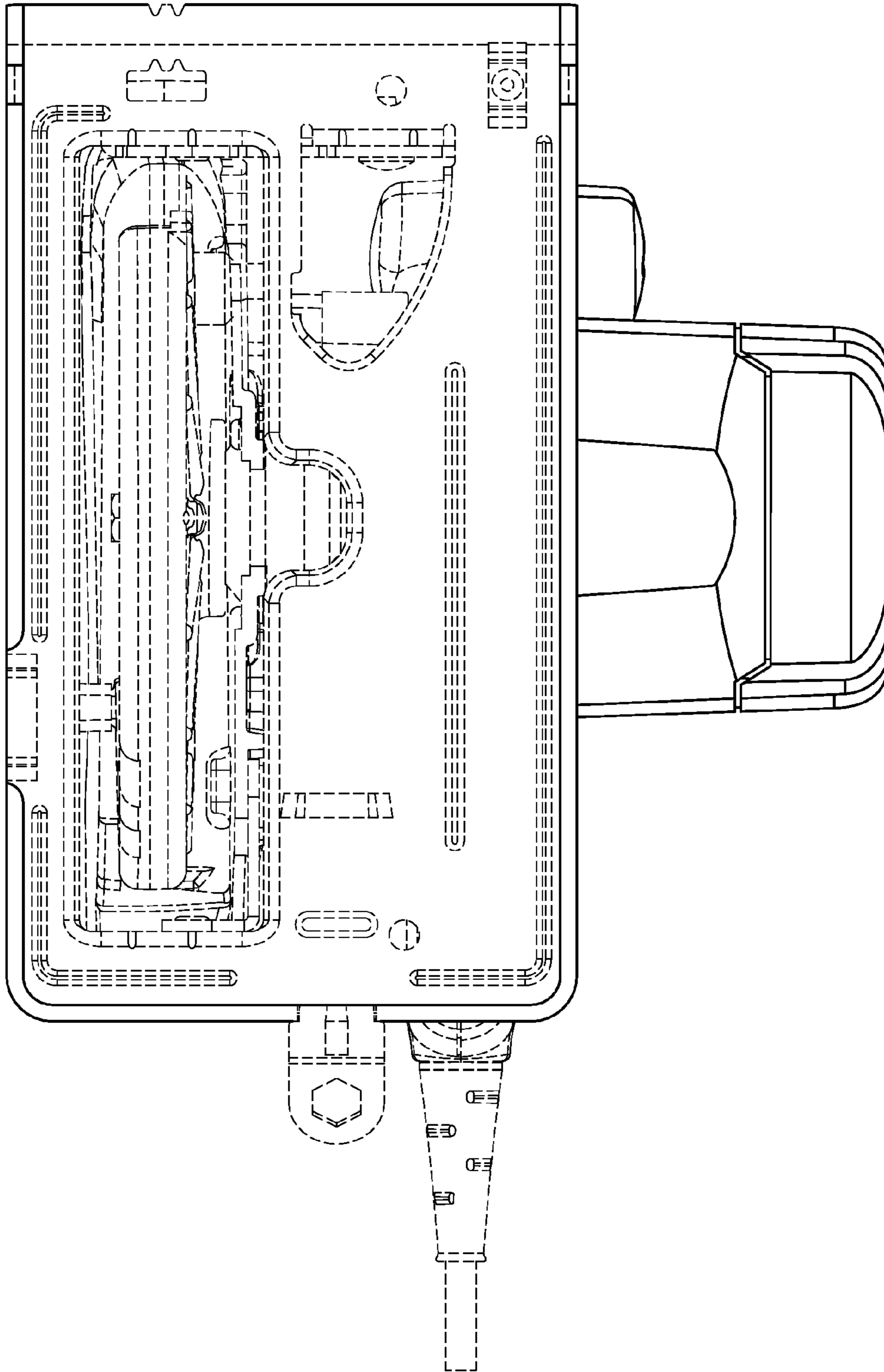


Fig. 8