

US00D578852S

(12) **United States Design Patent**
Enriquez

(10) **Patent No.:** **US D578,852 S**
(45) **Date of Patent:** **** Oct. 21, 2008**

(54) **AIR TOOL**

(75) Inventor: **Nheeda Enriquez**, Jersey City, NJ (US)

(73) Assignee: **Ingersoll-Rand Company**, Montvale, NJ (US)

(**) Term: **14 Years**

(21) Appl. No.: **29/259,015**

(22) Filed: **May 1, 2006**

(51) **LOC (8) Cl.** **08-05**

(52) **U.S. Cl.** **D8/61**

(58) **Field of Classification Search** D8/14.1,
D8/61, 62, 63, 64, 65, 66, 67, 68, 69, 70;
81/57.11, 429, 454, 455, 456, 469, 489; 173/13,
173/104, 114, 168, 169, 170, 171, 178, 201,
173/211, 213, 217; 408/20, 124, 125, 234,
408/241 R; 451/358; 310/50; 227/8, 113,
227/114, 120, 130, 136, 142

See application file for complete search history.

(56) **References Cited**

U.S. PATENT DOCUMENTS

D278,407 S *	4/1985	Fleischer, Jr.	D8/61
4,919,022 A	4/1990	Ono et al.		
RE33,711 E	10/1991	Ono et al.		
D334,124 S *	3/1993	Izumisawa	D8/61
D334,125 S *	3/1993	Izumisawa	D8/61
D380,131 S *	6/1997	Sung	D8/61
5,636,698 A	6/1997	Estep et al.		
D380,949 S *	7/1997	Sung	D8/61
D387,960 S *	12/1997	Sung	D8/61
D408,243 S *	4/1999	Izumisawa	D8/61
6,093,128 A	7/2000	Seith		
D433,611 S *	11/2000	McCallops et al.	D8/61
D435,204 S *	12/2000	Izumisawa	D8/61
6,165,096 A	12/2000	Seith		
D449,212 S	10/2001	Price et al.		
D455,327 S *	4/2002	Beer et al.	D8/61
D456,232 S *	4/2002	Chen	D8/61
D465,395 S *	11/2002	Hung	D8/61

D468,174 S *	1/2003	Morgan	D8/61
D468,175 S *	1/2003	Morgan	D8/61
D468,607 S	1/2003	Price et al.		
6,530,436 B2 *	3/2003	Nowak et al.	173/168
D497,785 S *	11/2004	Izumisawa	D8/61
6,923,095 B2 *	8/2005	Horvath	81/57
D511,662 S *	11/2005	Leasure et al.	D8/61
D525,501 S *	7/2006	Chen	D8/61
D525,502 S *	7/2006	Chen	D8/61
7,080,578 B2 *	7/2006	Izumisawa	173/168
D527,593 S *	9/2006	Price et al.	D8/61
D529,355 S *	10/2006	Su	D8/61
D534,777 S *	1/2007	Miller	D8/61
D540,637 S *	4/2007	Staples	D8/61
D554,460 S *	11/2007	Enriquez	D8/61
D558,015 S *	12/2007	Aglassinger et al.	D8/61
2002/0139547 A1 *	10/2002	Nowak et al.	173/168
2006/0289184 A1 *	12/2006	Cheng	173/168

OTHER PUBLICATIONS

Photographs of pneumatic tools publicly available prior to May 1, 2006.

* cited by examiner

Primary Examiner—T. Chase Nelson

(74) *Attorney, Agent, or Firm*—Michael Best & Friedrich LLP

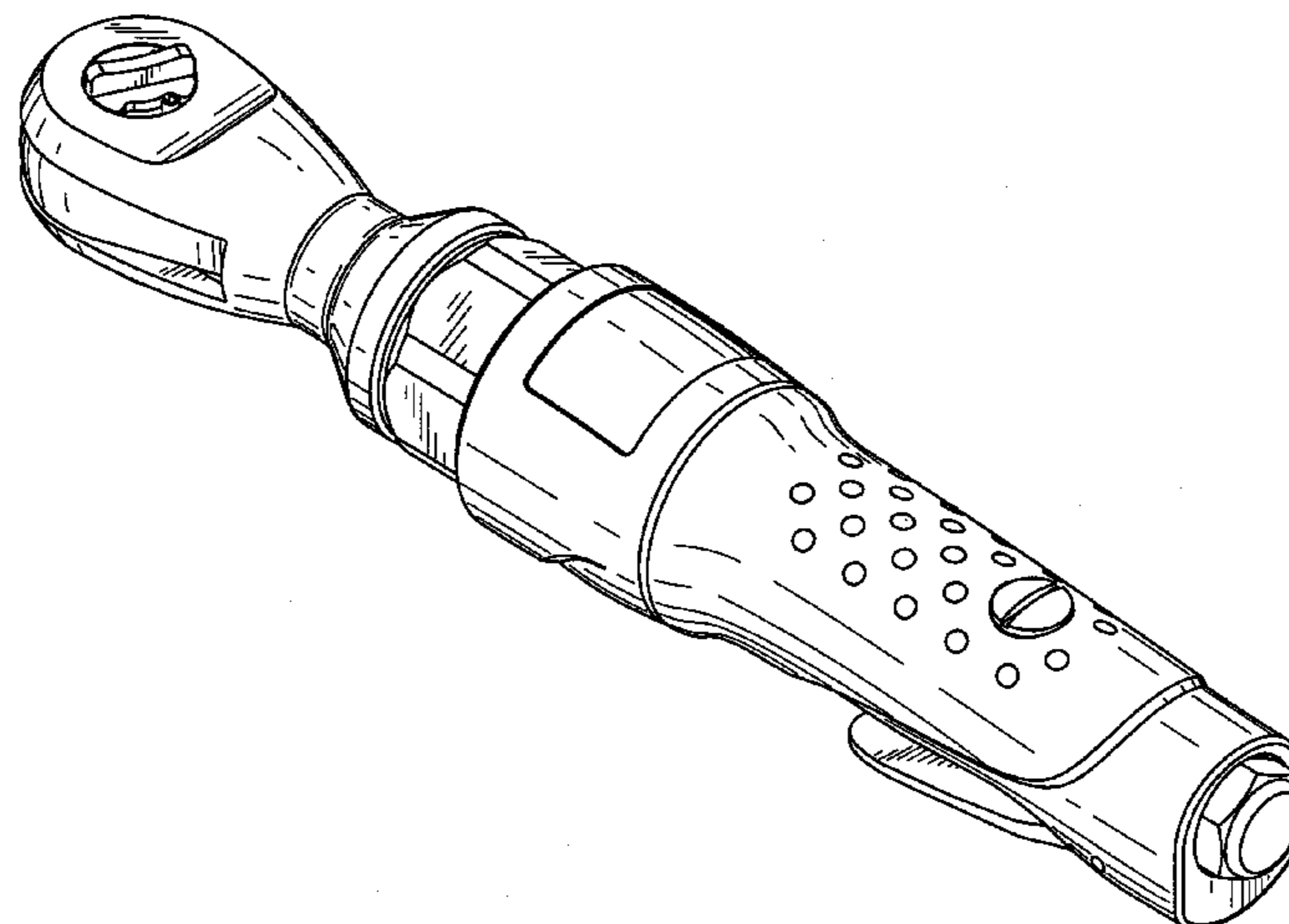
(57) **CLAIM**

The ornamental design for an air tool, as shown and described.

DESCRIPTION

FIG. 1 is a perspective view of an air tool;
FIG. 2 is a top view of the air tool shown in FIG. 1;
FIG. 3 is a bottom view of the air tool shown in FIG. 1;
FIG. 4 is a front view of the air tool shown in FIG. 1;
FIG. 5 is rear view of the air tool shown in FIG. 1;
FIG. 6 is a right side view of the air tool shown in FIG. 1; and,
FIG. 7 is a left side view of the air tool shown in FIG. 1.

1 Claim, 4 Drawing Sheets



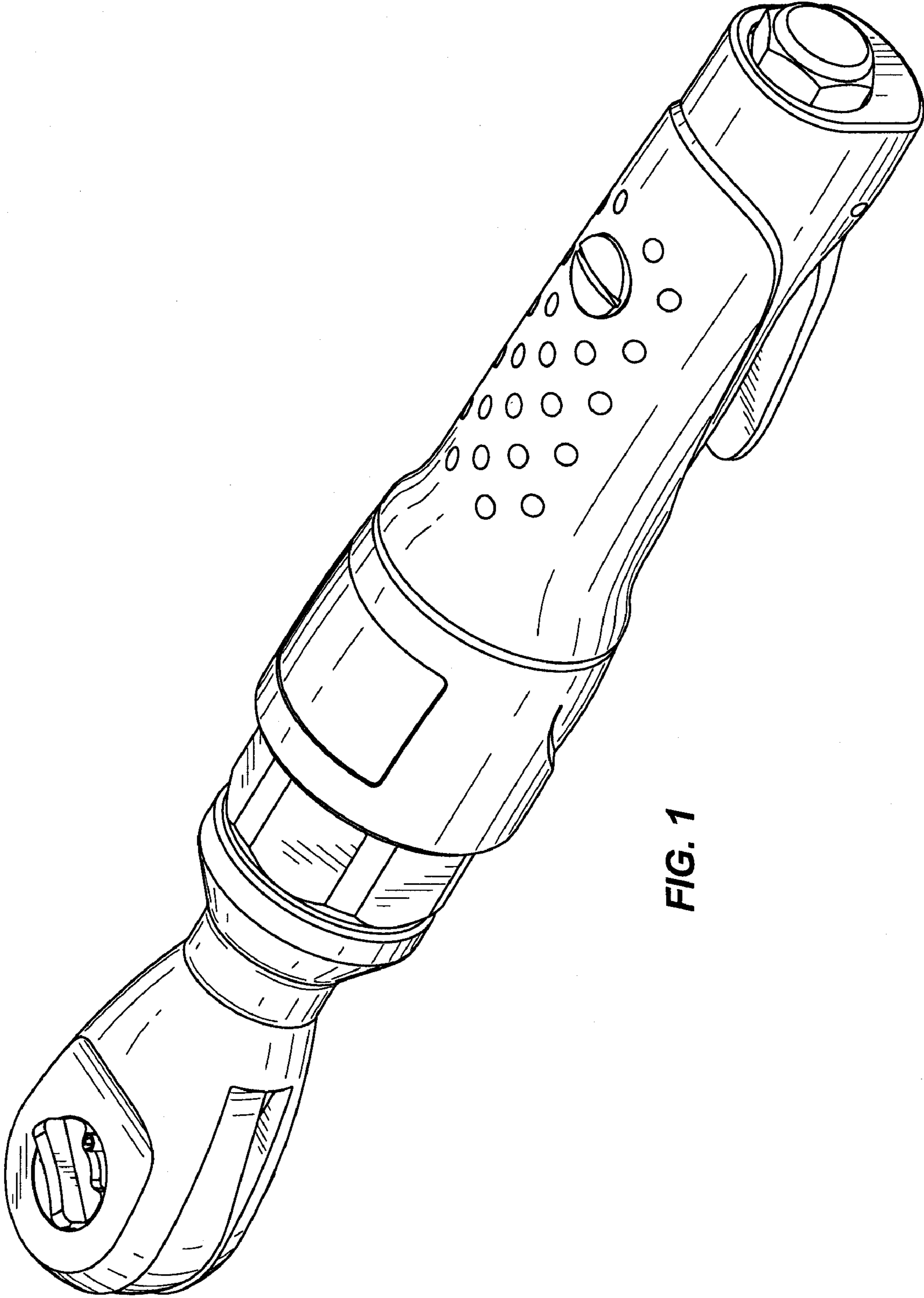


FIG. 1

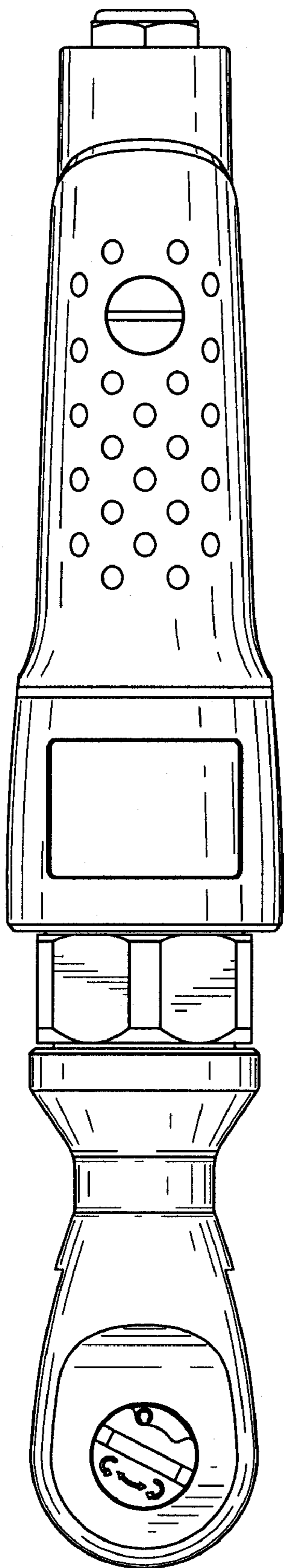


FIG. 2

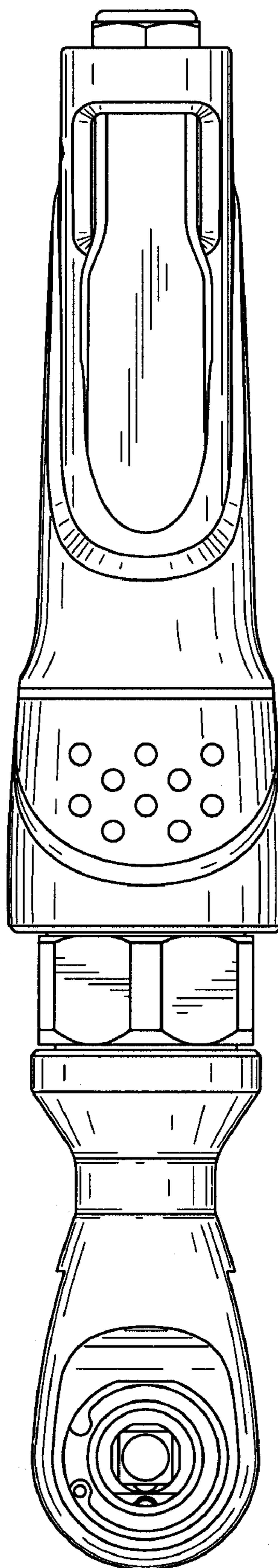


FIG. 3

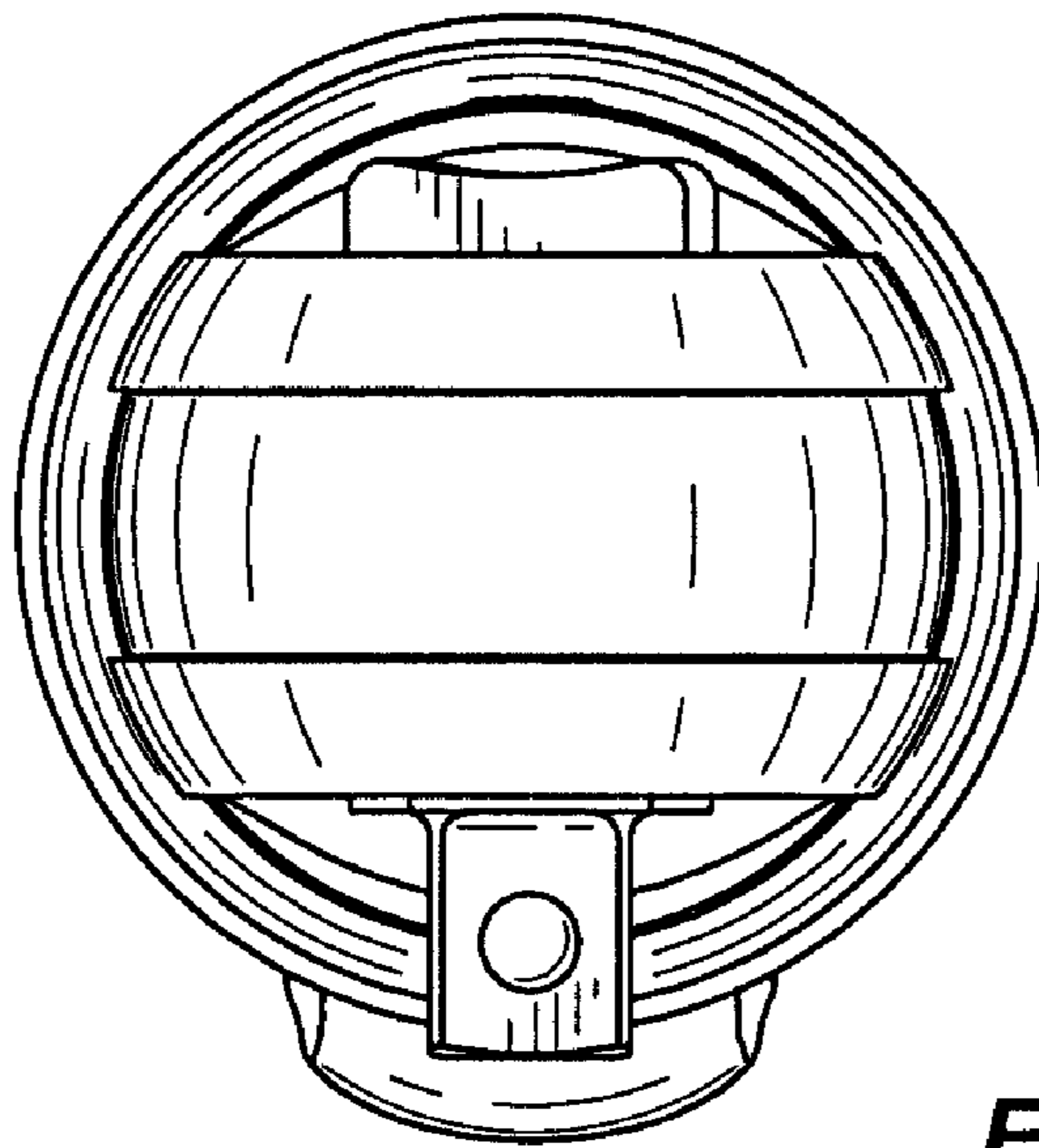


FIG. 4

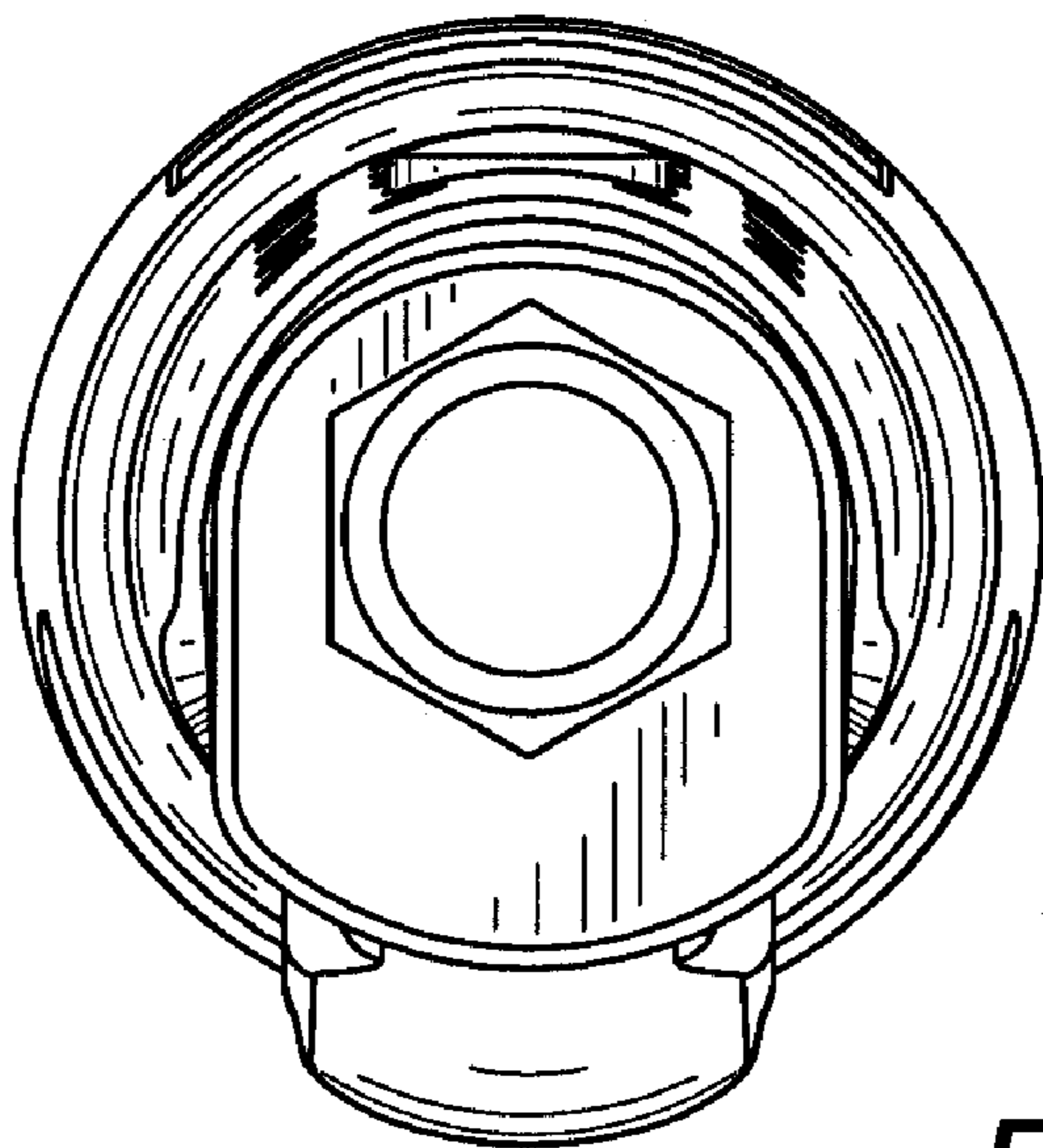


FIG. 5

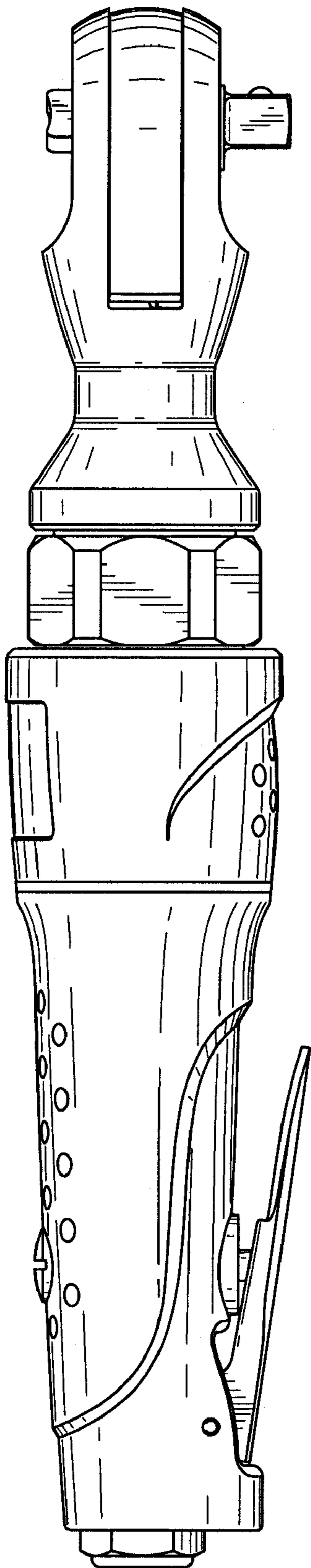


FIG. 6

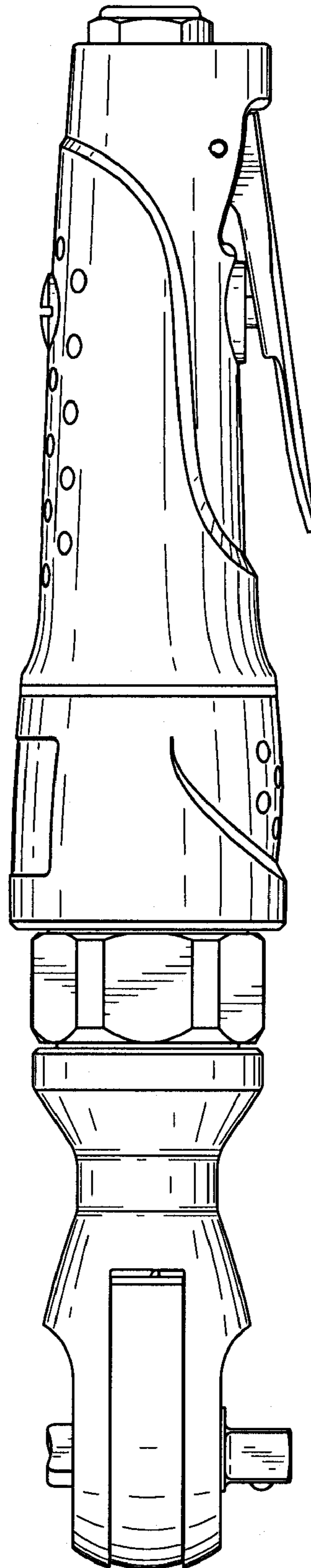


FIG. 7