



US00D578842S

(12) **United States Design Patent**  
**Houghton**

(10) **Patent No.:** **US D578,842 S**  
(45) **Date of Patent:** **\*\* Oct. 21, 2008**

(54) **STRING TRIMMER**

(75) Inventor: **Stephen Houghton**, High West Jesmond (GB)

(73) Assignee: **Black & Decker Inc.**, Newark, DE (US)

(\*\*) Term: **14 Years**

(21) Appl. No.: **29/291,034**

(22) Filed: **Aug. 10, 2007**

(30) **Foreign Application Priority Data**

Mar. 7, 2007 (EM) ..... 000683974

(51) **LOC (8) Cl.** ..... **08-01**

(52) **U.S. Cl.** ..... **D8/8**

(58) **Field of Classification Search** ..... D8/8,  
D8/9; 30/276, 347; 56/12.7  
See application file for complete search history.

(56) **References Cited**

**U.S. PATENT DOCUMENTS**

D355,818 S \* 2/1995 Nakadachi ..... D8/8  
D446,699 S \* 8/2001 Marshall et al. .... D8/8  
D483,236 S \* 12/2003 Martin et al. .... D8/8  
D510,512 S \* 10/2005 Robson ..... D8/8  
6,973,728 B2 \* 12/2005 Ellson et al. .... 30/276

\* cited by examiner

*Primary Examiner*—T. Chase Nelson  
*Assistant Examiner*—Sheryl Friedman

(74) *Attorney, Agent, or Firm*—John Yun; Bruce S. Shapiro; Wesley Muller

(57) **CLAIM**

The ornamental design for a string trimmer, as shown and described.

**DESCRIPTION**

FIG. 1 is a front perspective view of a string trimmer showing my new design.

FIG. 2 is a right side view of a string trimmer according to FIG. 1.

FIG. 3 is a left side view of a string trimmer according to FIG. 1.

FIG. 4 is a front view of a string trimmer according to FIG. 1.

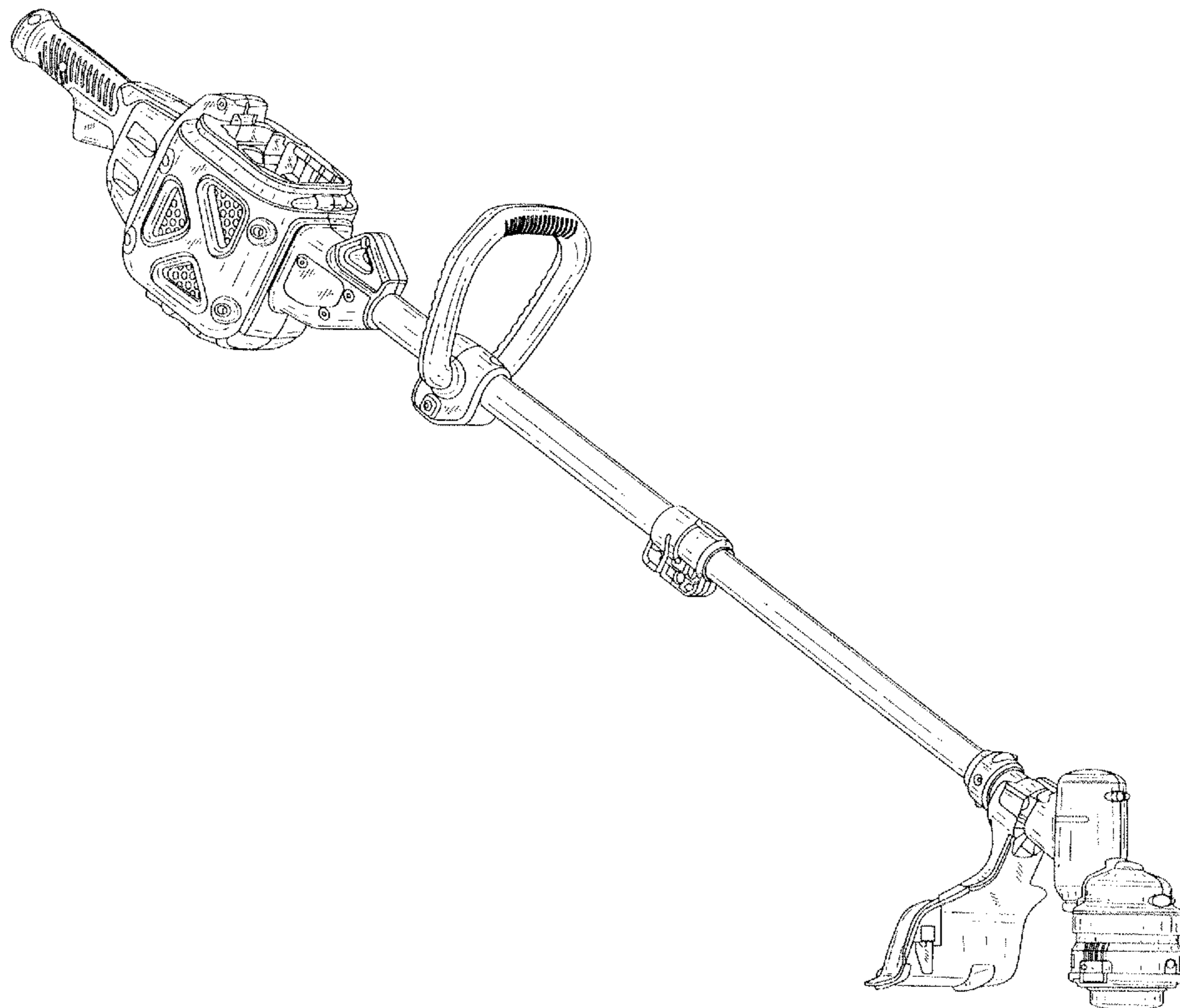
FIG. 5 is a rear view of a string trimmer according to FIG. 1.

FIG. 6 is a top view of a string trimmer according to FIG. 1.

FIG. 7 is a bottom view of a string trimmer according to FIG. 1; and,

FIG. 8 is a rear perspective view of a string trimmer according to FIG. 1.

**1 Claim, 8 Drawing Sheets**



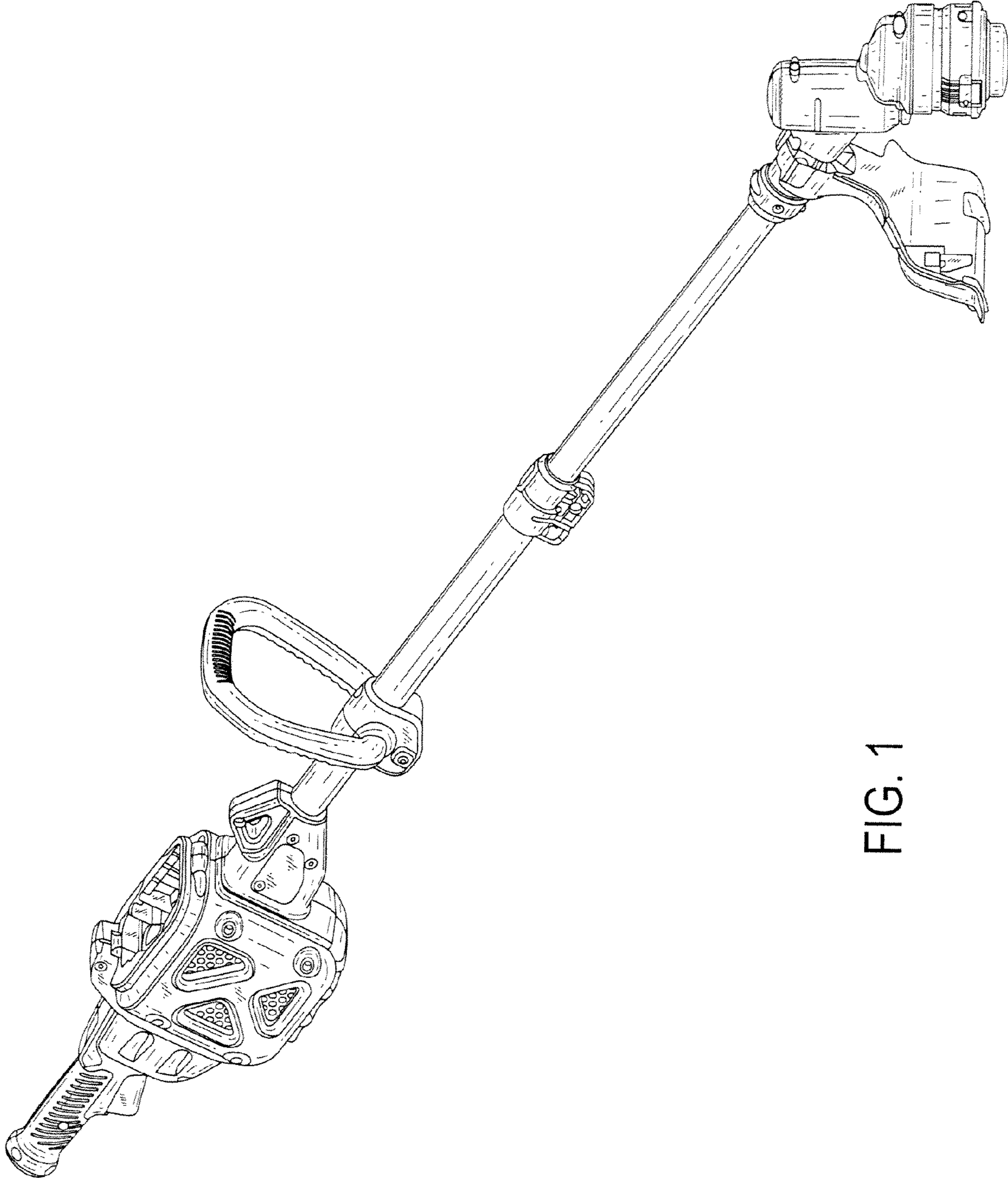


FIG. 1

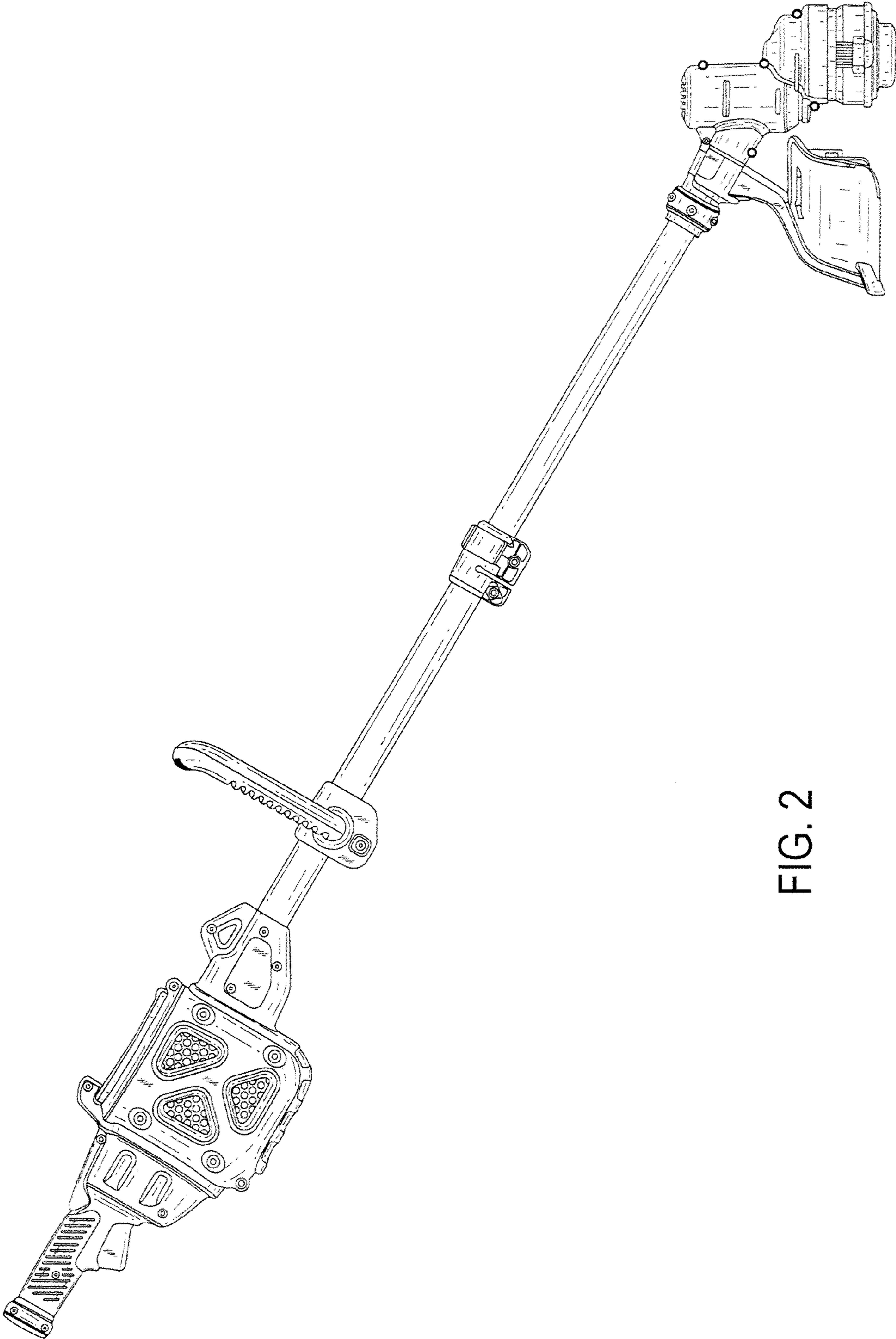


FIG. 2



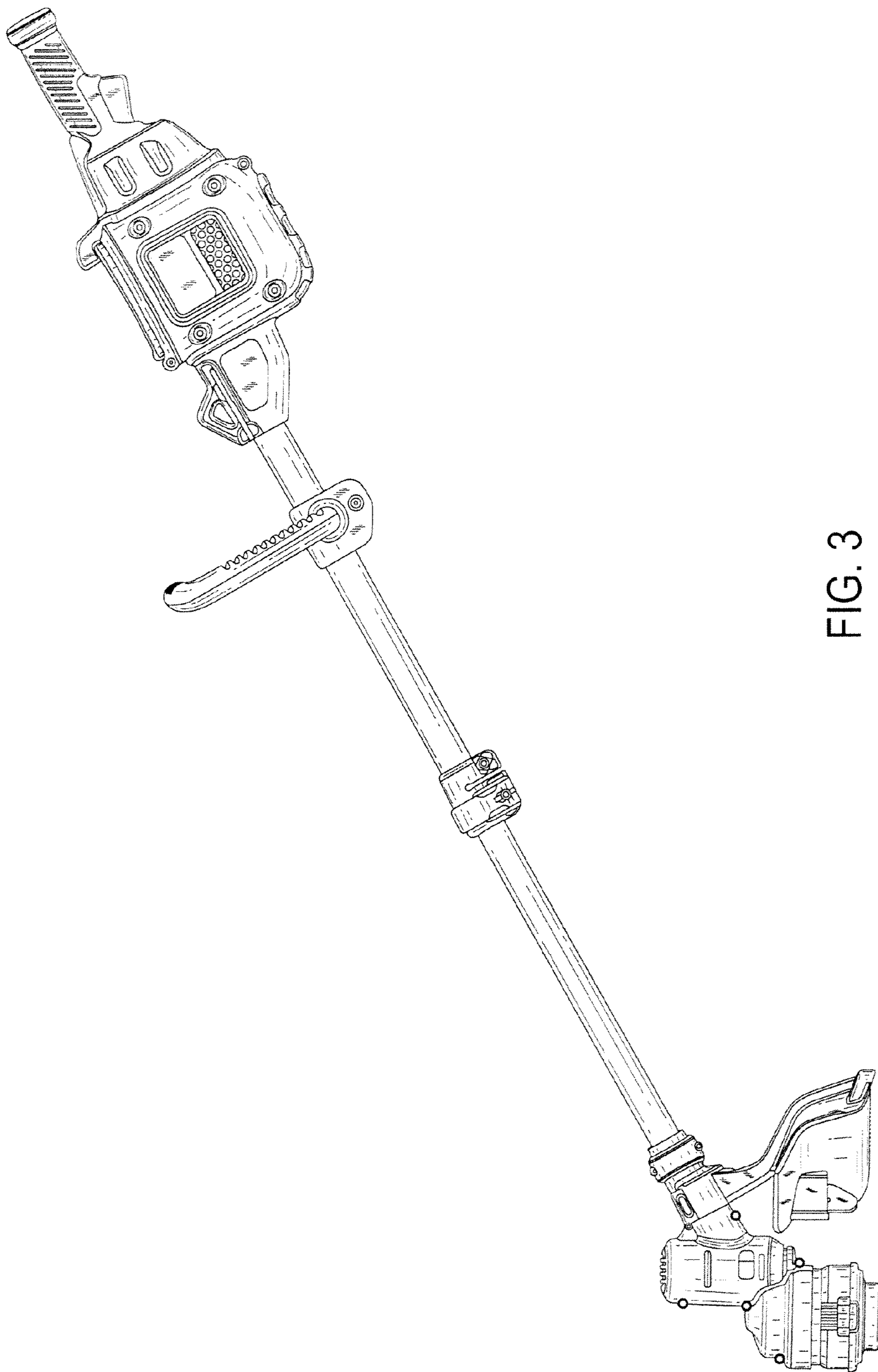


FIG. 3

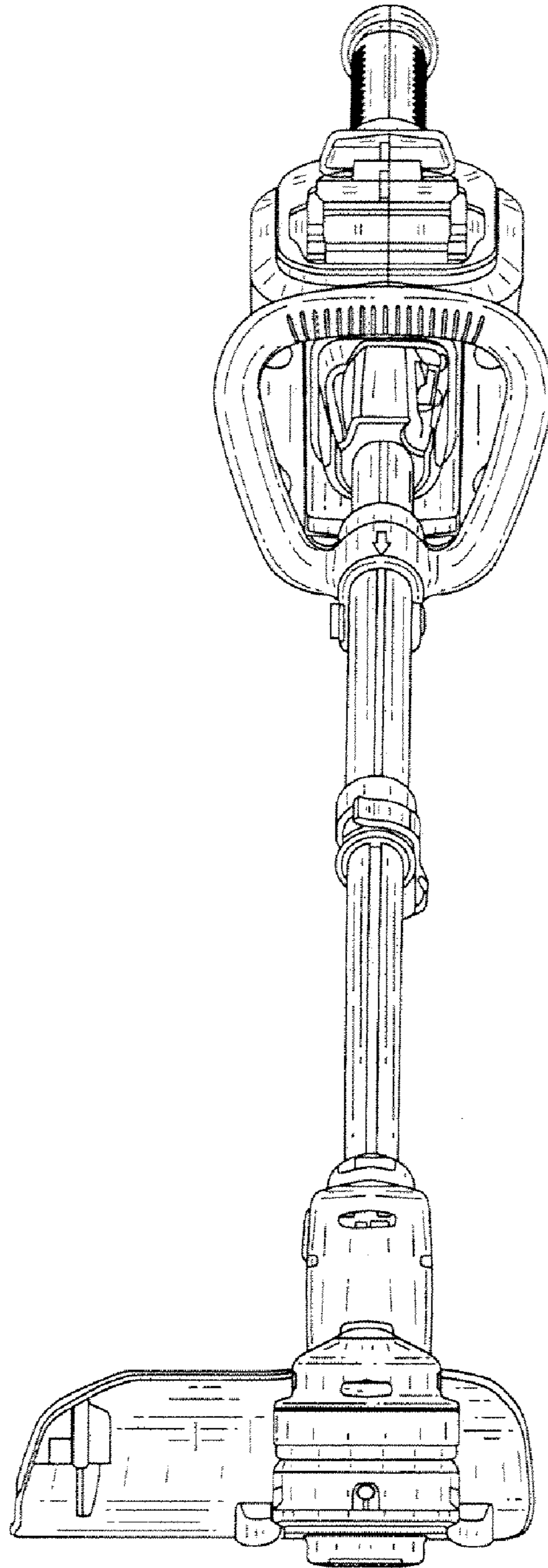


FIG. 4

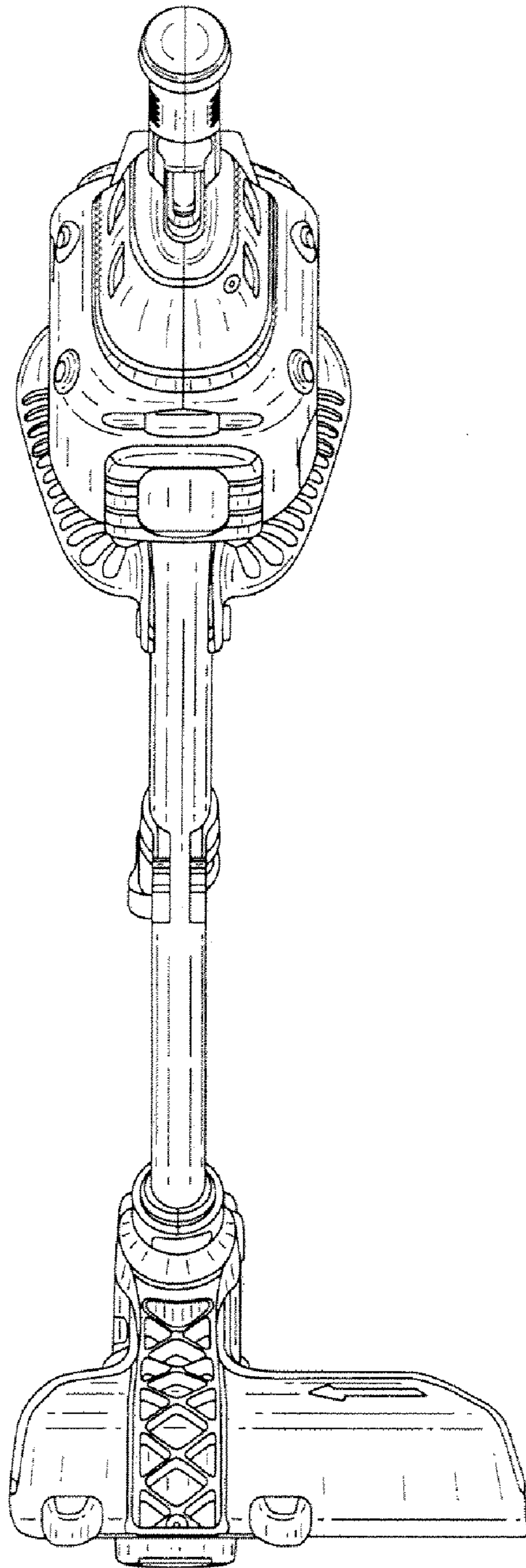


FIG. 5

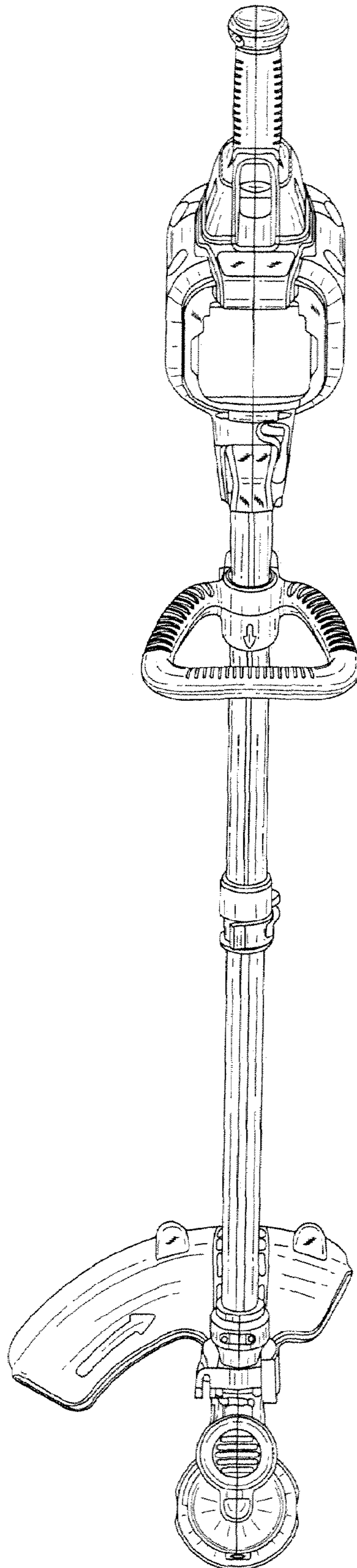


FIG. 6



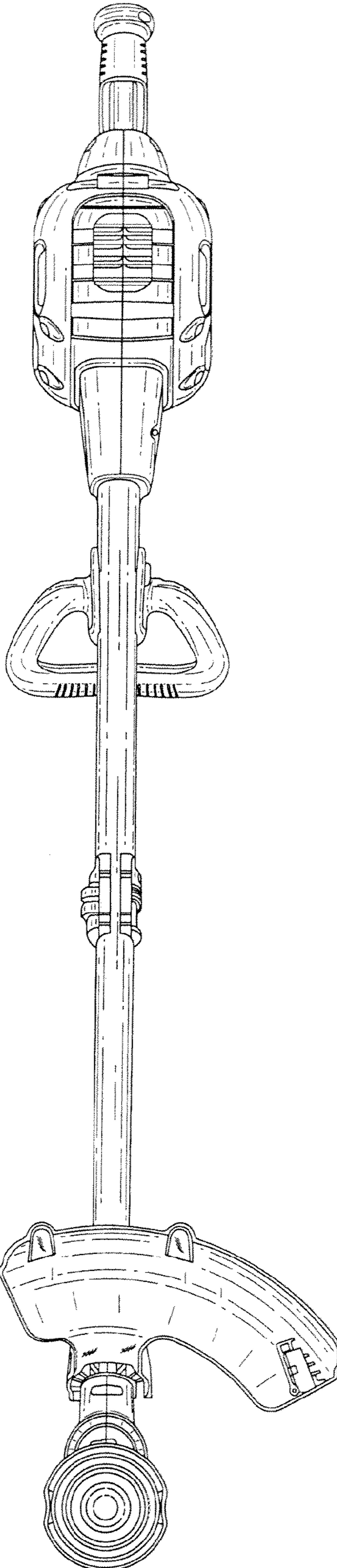


FIG. 7



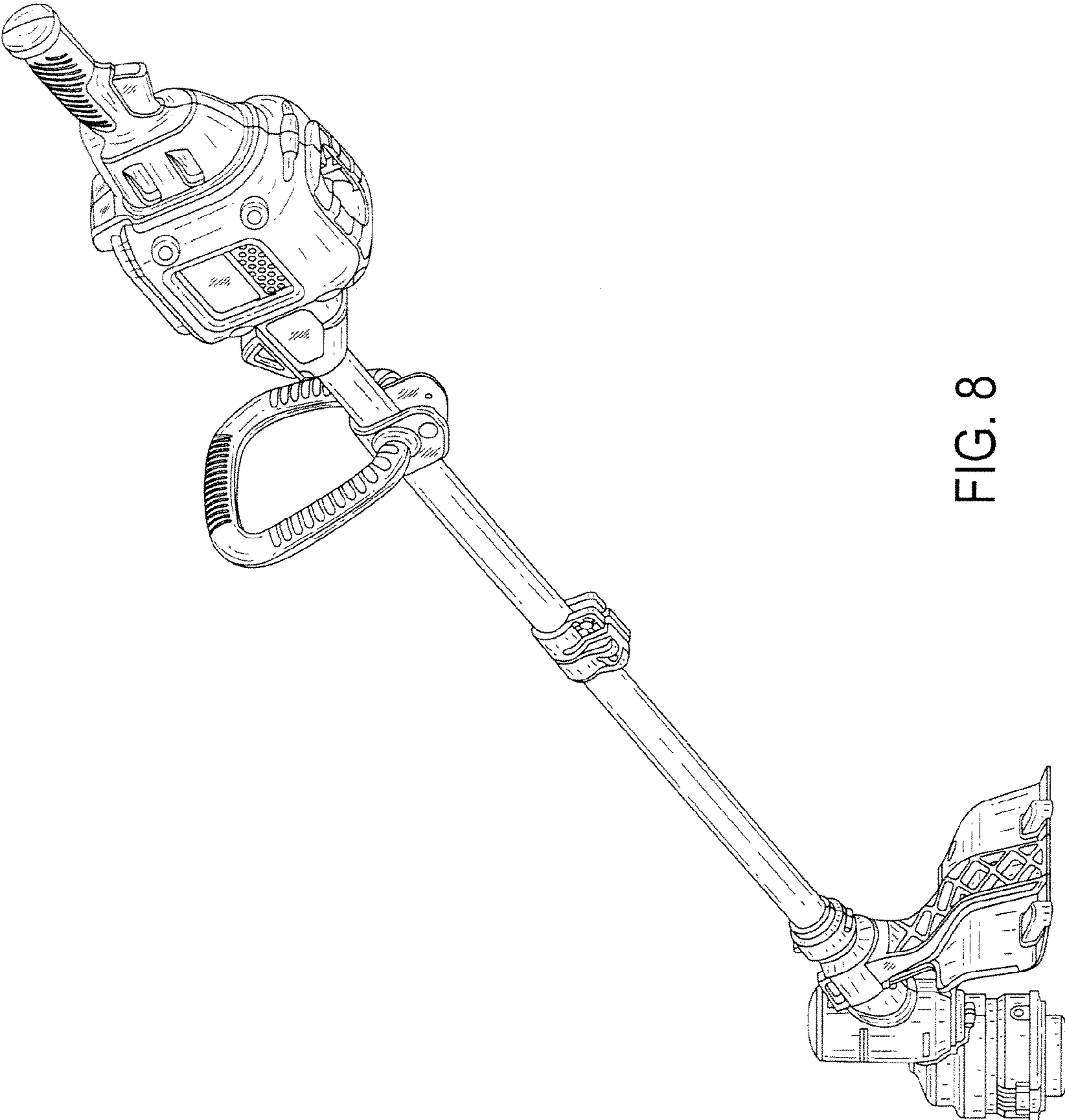


FIG. 8