



US00D578840S

(12) **United States Design Patent**  
**Hansen et al.**

(10) **Patent No.:** **US D578,840 S**  
(45) **Date of Patent:** **\*\* Oct. 21, 2008**

(54) **ELECTRICALLY HEATED ICE CREAM SCOOP**

(76) Inventors: **David L. Hansen**, 6148 S. Middlewood Cir., Salt Lake City, UT (US) 84118;  
**Leona L. Hansen**, 6148 S. Middlewood Cir., Salt Lake City, UT (US) 84118

(\*\*) Term: **14 Years**

(21) Appl. No.: **29/284,219**

(22) Filed: **Sep. 4, 2007**

(51) **LOC (8) Cl.** ..... **07-99**

(52) **U.S. Cl.** ..... **D7/681**

(58) **Field of Classification Search** ..... D7/681-696;  
30/324-328; 294/55; 425/276-286, 299,  
425/DIG. 13

See application file for complete search history.

(56) **References Cited**

**U.S. PATENT DOCUMENTS**

4,386,900 A	6/1983	Sultan
4,553,921 A	11/1985	Lamphere
5,000,672 A	3/1991	Halimi
5,131,832 A	7/1992	Budreau

D342,867 S *	1/1994	Wong	.....	D7/681
D371,284 S *	7/1996	Reinier et al.	.....	D7/681
D395,986 S *	7/1998	Jones	.....	D7/681
D472,111 S *	3/2003	Shoup et al.	.....	D7/681
D505,303 S *	5/2005	Crowley	.....	D7/681

\* cited by examiner

*Primary Examiner*—Terry A Wallace

(57) **CLAIM**

The ornamental design for an electrically heated ice cream scoop, as shown and described.

**DESCRIPTION**

FIG. 1 is a right elevation view of an electrically heated ice cream scoop showing our new design;

FIG. 2 is a left elevation view;

FIG. 3 is a front elevation view;

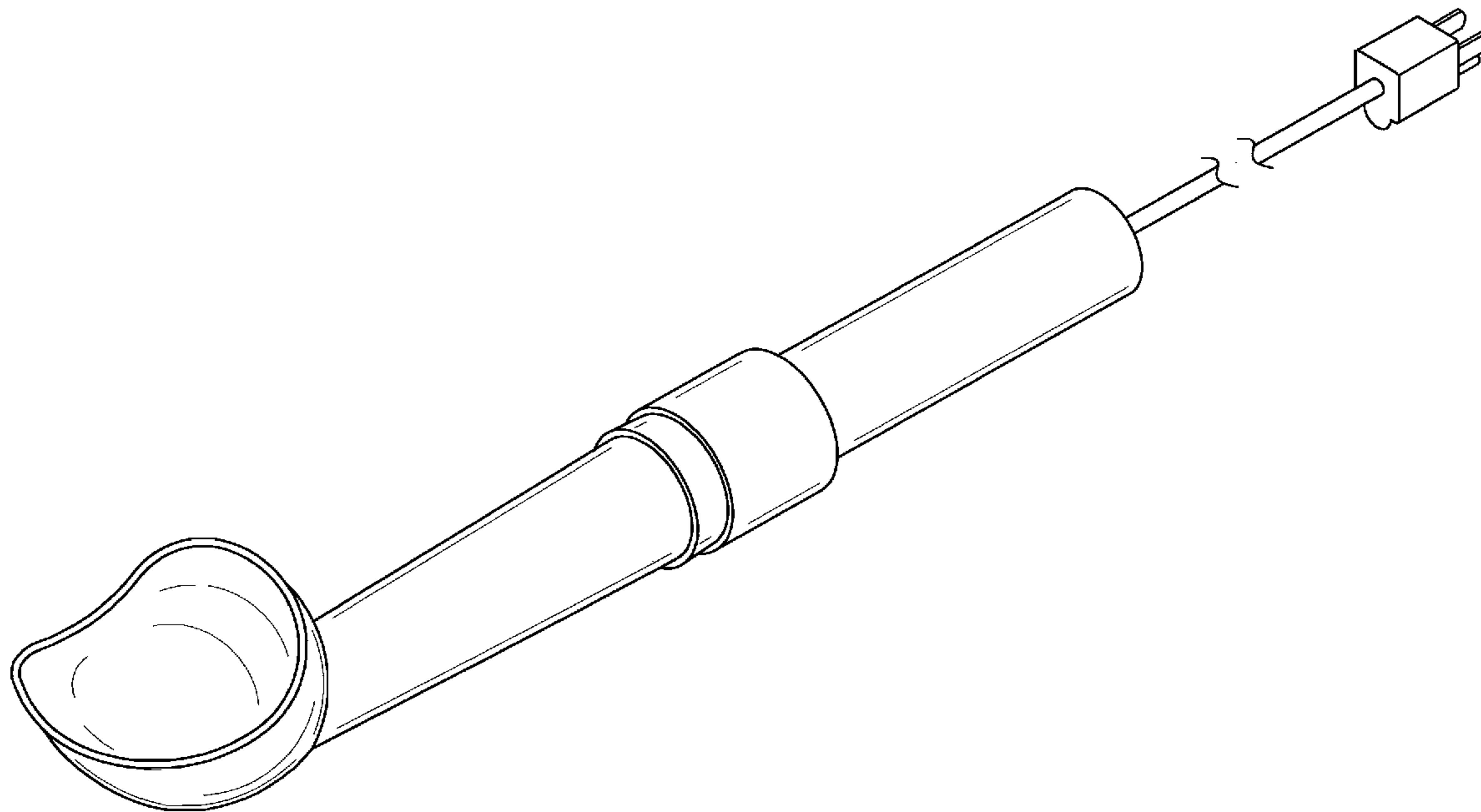
FIG. 4 is a rear elevation view;

FIG. 5 is a top plan view;

FIG. 6 is a bottom plan view; and,

FIG. 7 is an isometric view of an electrically heated ice cream scoop.

**1 Claim, 3 Drawing Sheets**



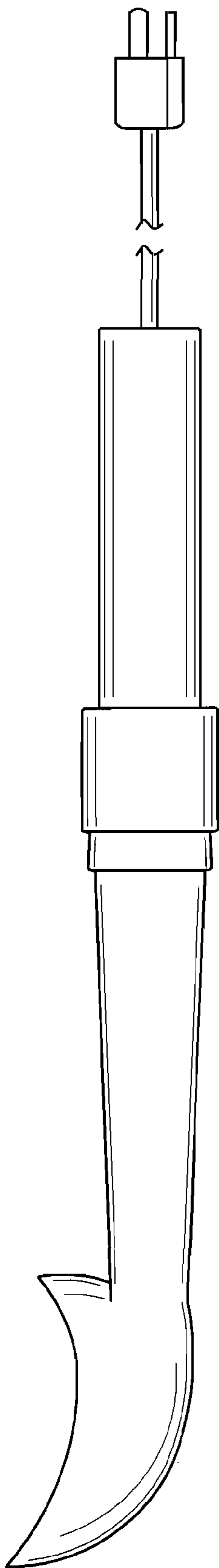


FIG. 1

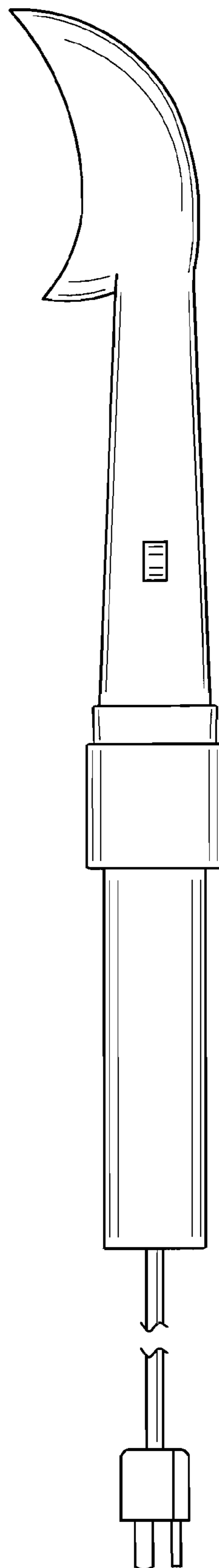


FIG. 2

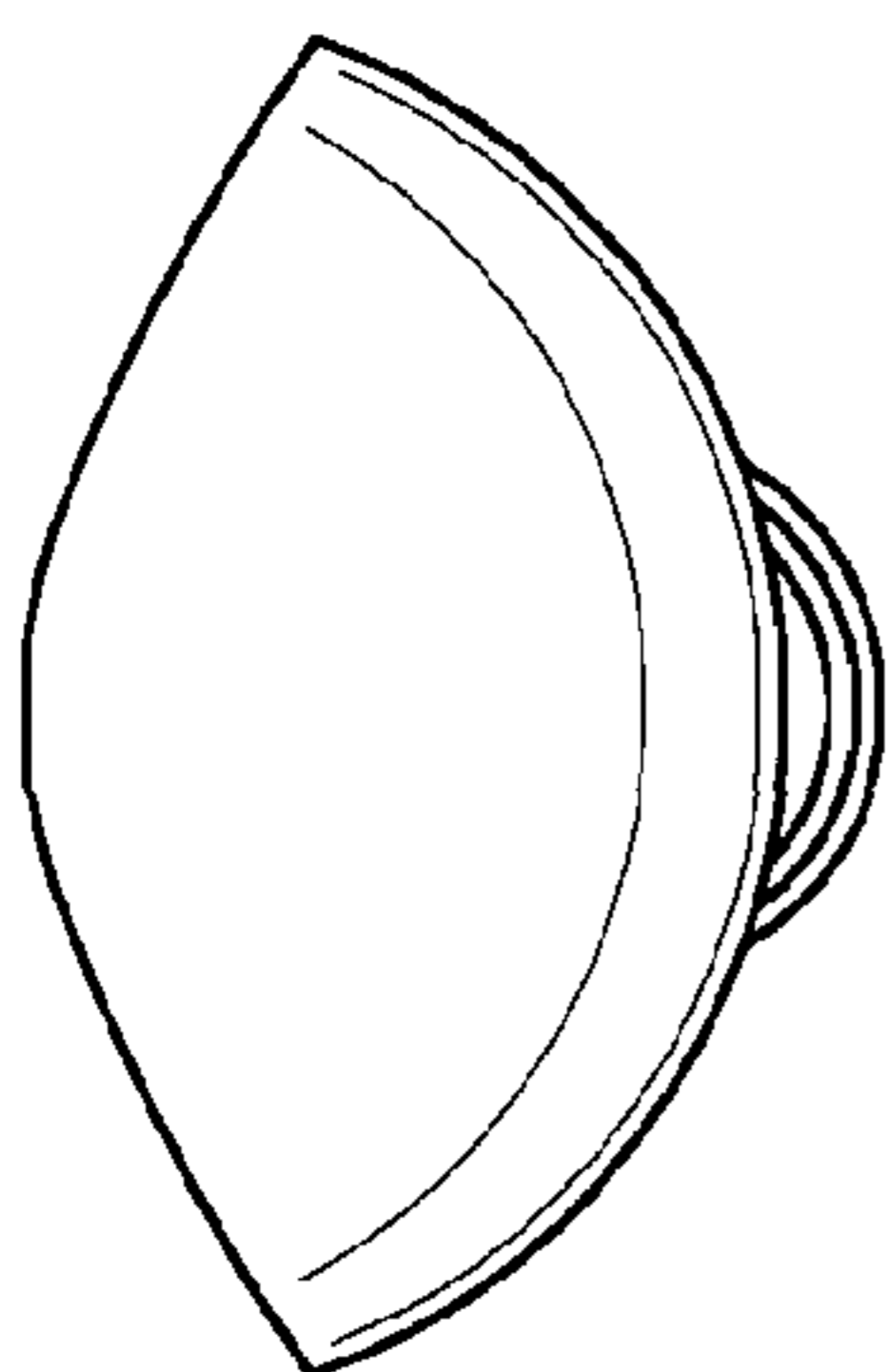


FIG. 3

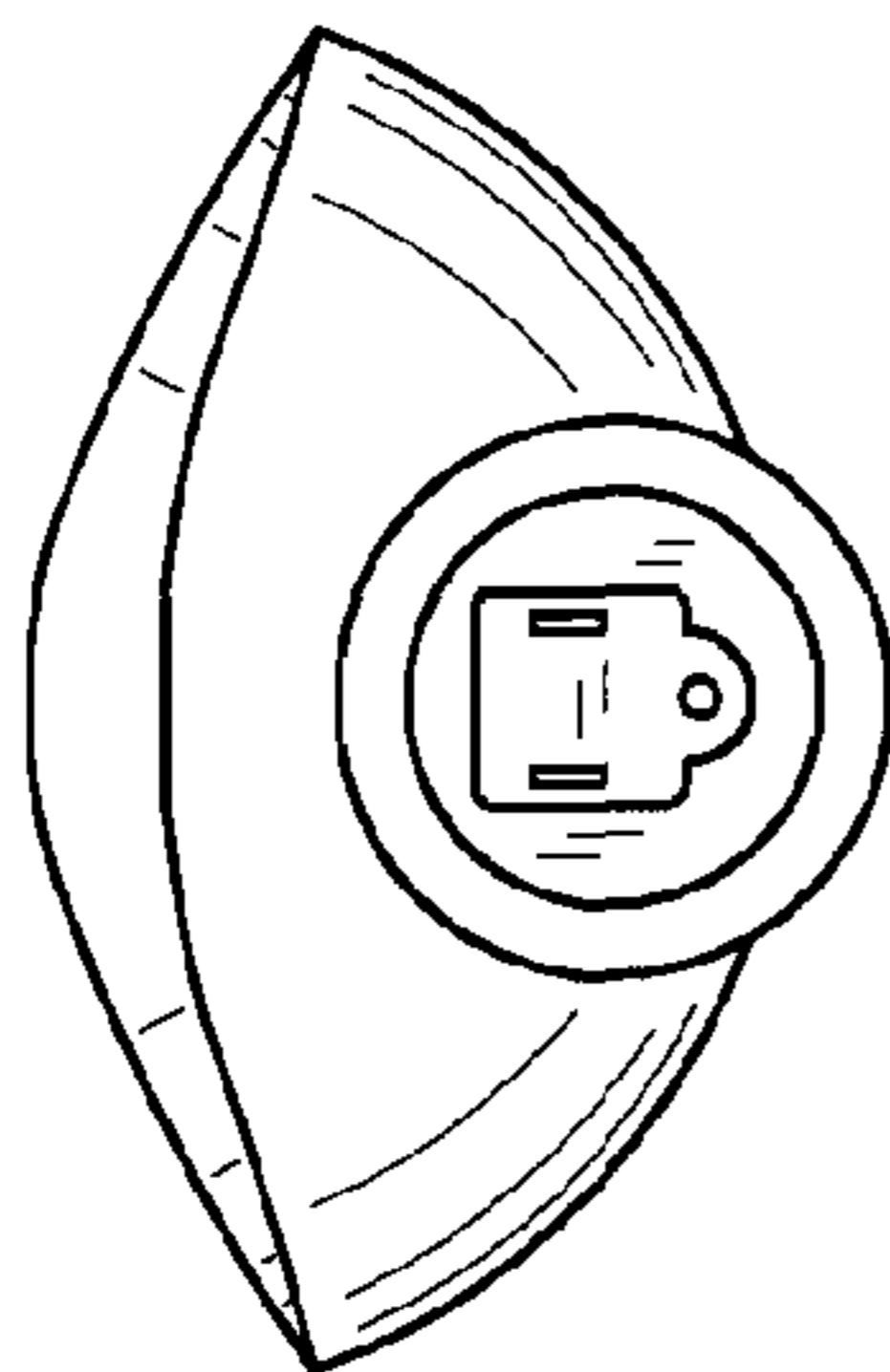


FIG. 4

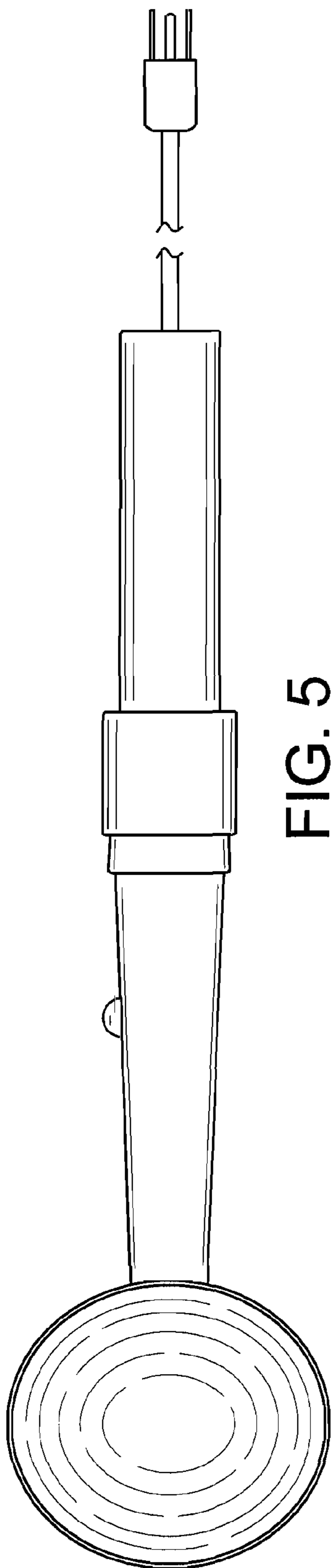


FIG. 5

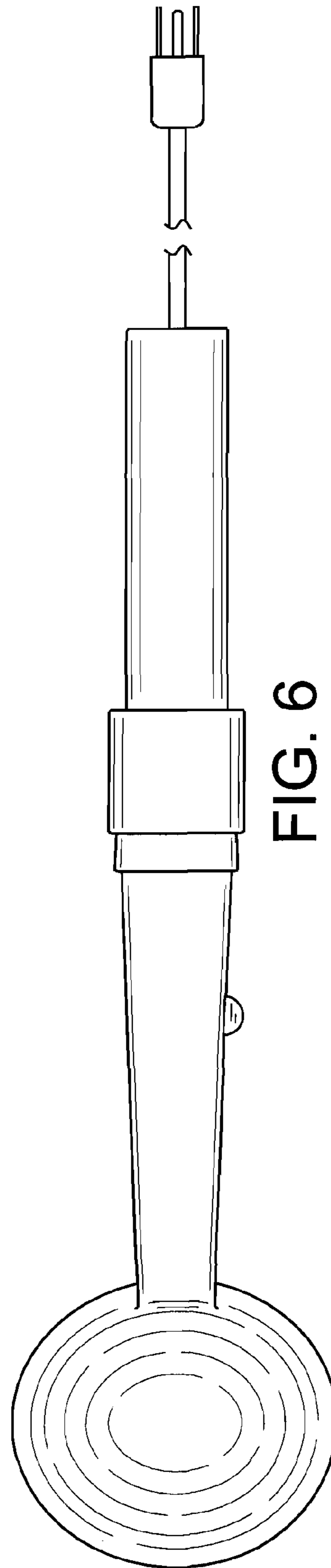


FIG. 6

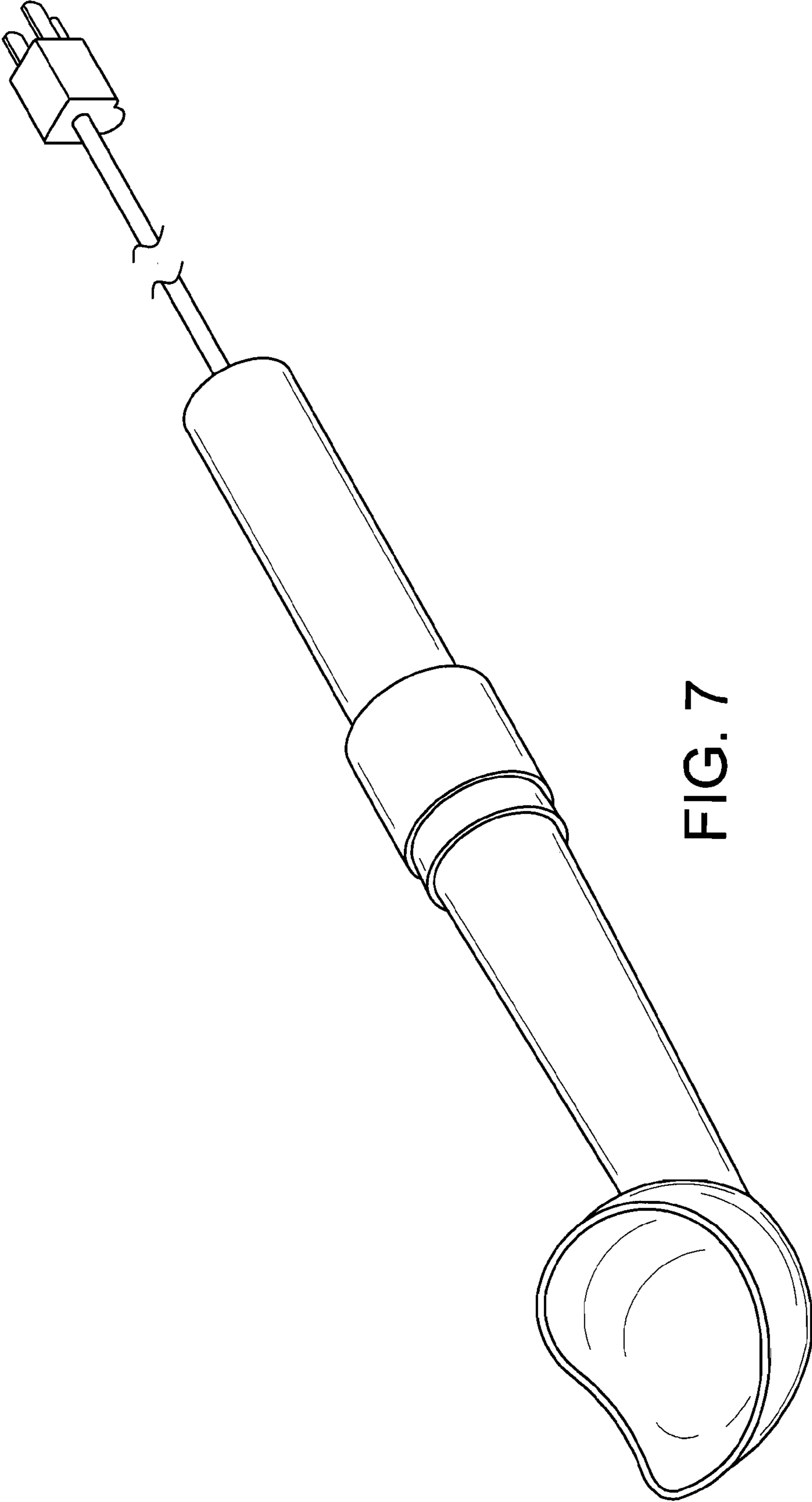


FIG. 7