



US00D578839S

(12) **United States Design Patent**
McGuyer et al.

(10) **Patent No.:** **US D578,839 S**

(45) **Date of Patent:** **** Oct. 21, 2008**

(54) **ROTARY GRATER**

(75) Inventors: **Carter McGuyer**, Florence, AL (US);
Richard L. Grace, Dover, AR (US);
Christopher R. Grace, Dover, AR (US)

(73) Assignee: **Grace Manufacturing Inc.**,
Russellville, AR (US)

(**) Term: **14 Years**

(21) Appl. No.: **29/301,693**

(22) Filed: **Mar. 14, 2008**

(51) **LOC (8) Cl.** **07-04**

(52) **U.S. Cl.** **D7/678**

(58) **Field of Classification Search** D7/678,
D7/672, 693, 381, 384; 241/92-95, 168,
241/169, 169.1, 100, 273.1-273.4, 274, 275,
241/285.2, 287, 280; 99/495, 508-513
See application file for complete search history.

(56) **References Cited**

U.S. PATENT DOCUMENTS

- 2,271,175 A * 1/1942 Mantelet 241/280
- 5,803,378 A * 9/1998 Wolters 241/93
- D409,453 S * 5/1999 Blaise D7/678
- D493,074 S * 7/2004 Brousseau et al. D7/678

- D517,871 S * 3/2006 Takayama et al. D7/678
- D517,873 S * 3/2006 So D7/678
- 7,137,581 B2 * 11/2006 Takayama et al. 241/169.1

* cited by examiner

Primary Examiner—Terry A Wallace

(74) *Attorney, Agent, or Firm*—Dennis B. Haase

(57) **CLAIM**

The ornamental design for a rotary grater, as shown and described.

DESCRIPTION

FIG. 1 is a perspective view of a hand-held rotary grater constructed in accordance with the present invention;

FIG. 2 is a side elevation of a hand-held rotary grater constructed in accordance with the present invention;

FIG. 3 is a frontal view of the rotary grater of FIG. 1;

FIG. 4 is a top plan view of the rotary grater of FIG. 1;

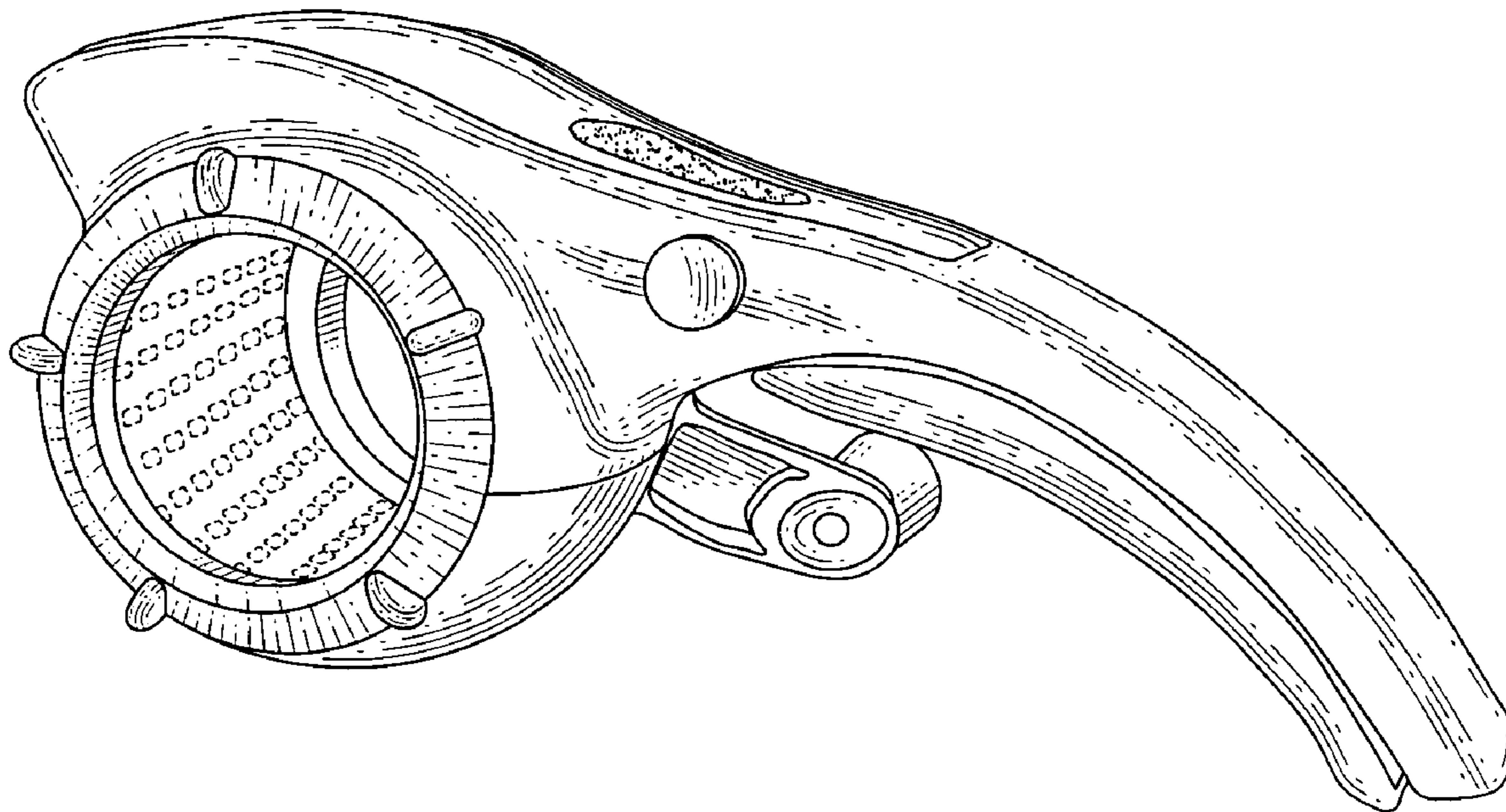
FIG. 5 is a left side view of the rotary grater of FIG. 1;

FIG. 6 is a bottom plan view of the rotary grater of FIG. 1;

FIG. 7 is an end view, looking toward the crank handle; and,

FIG. 8 is a side elevation, illustrating the rotary grater of FIG. 1 with the grater area open to receive material to be grated.

1 Claim, 3 Drawing Sheets



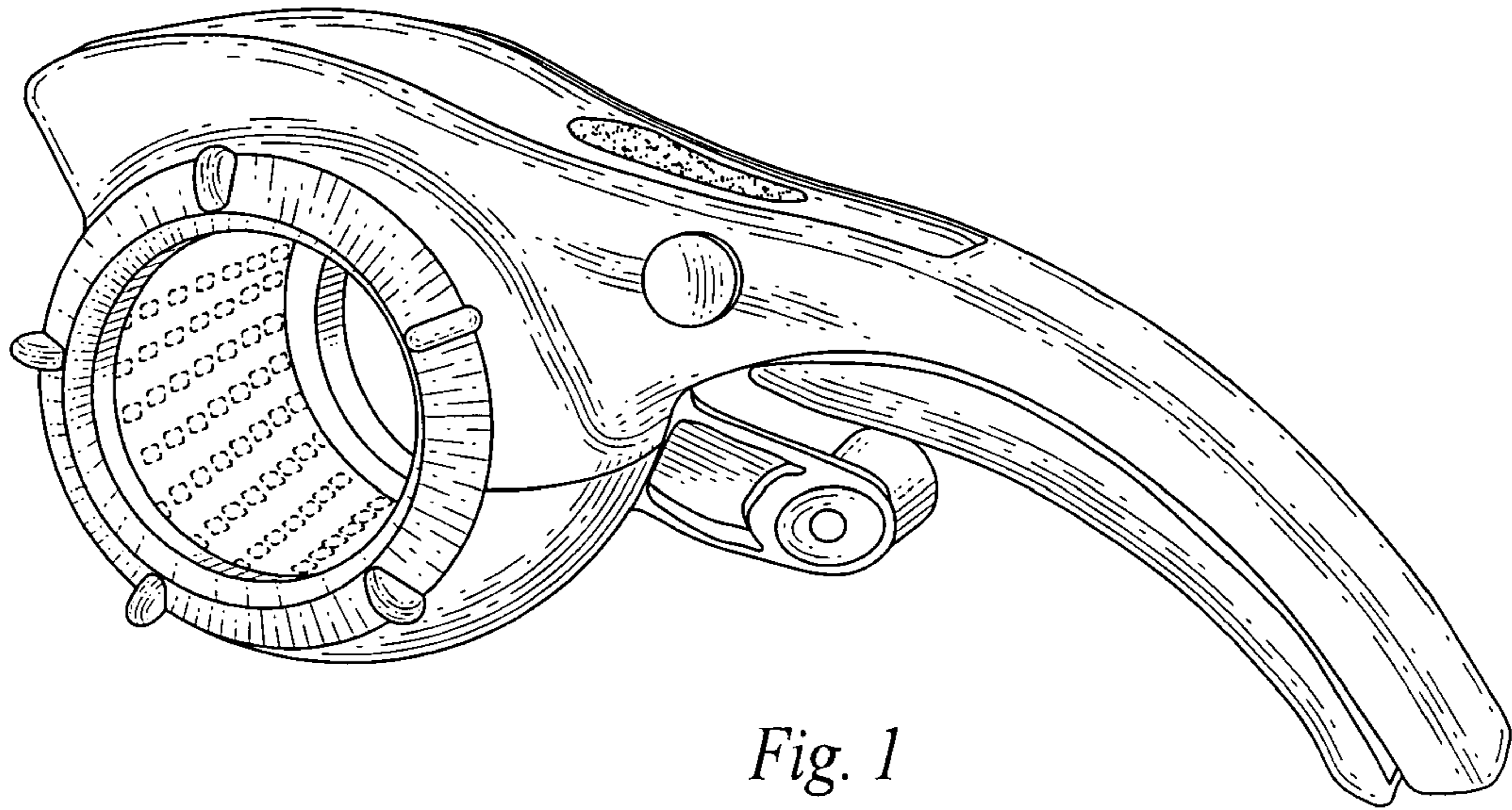


Fig. 1

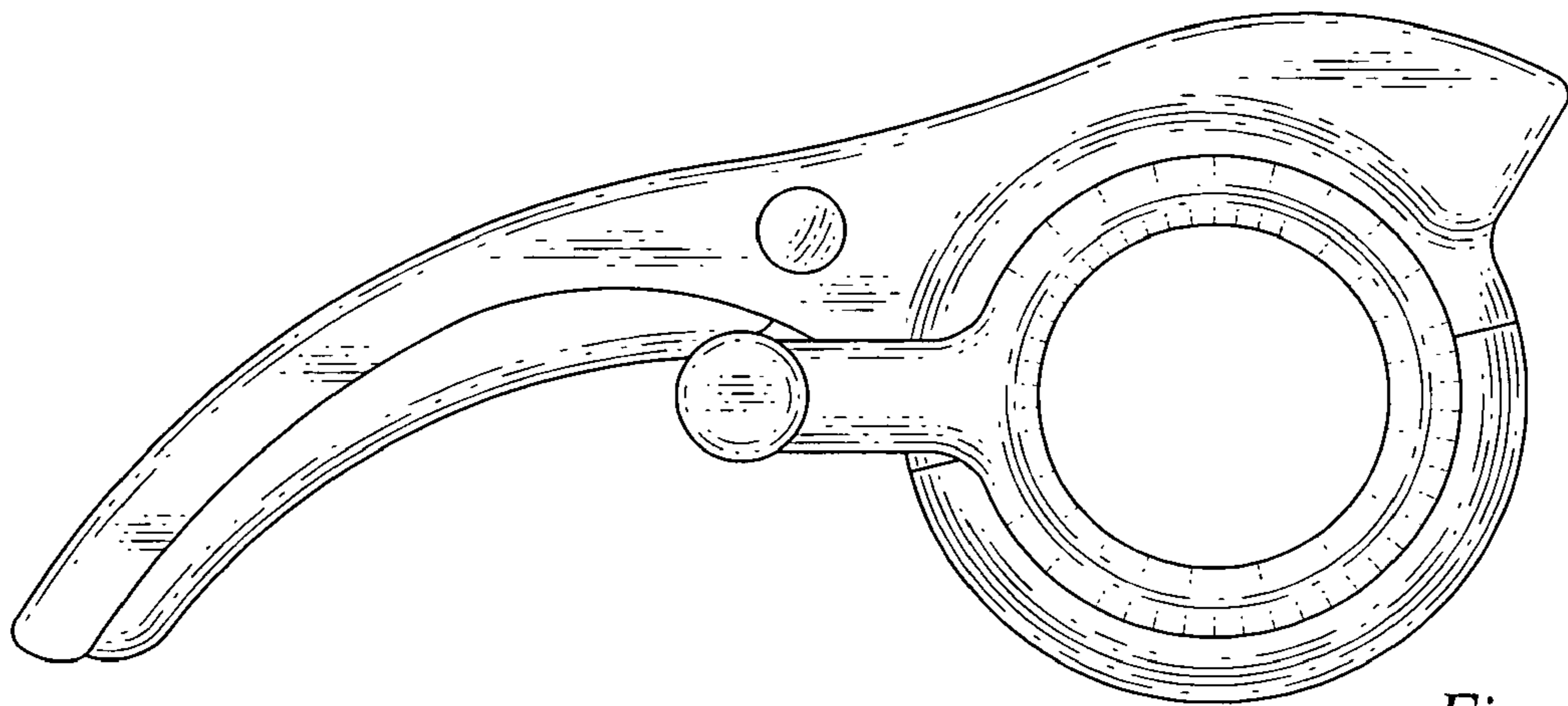


Fig. 2

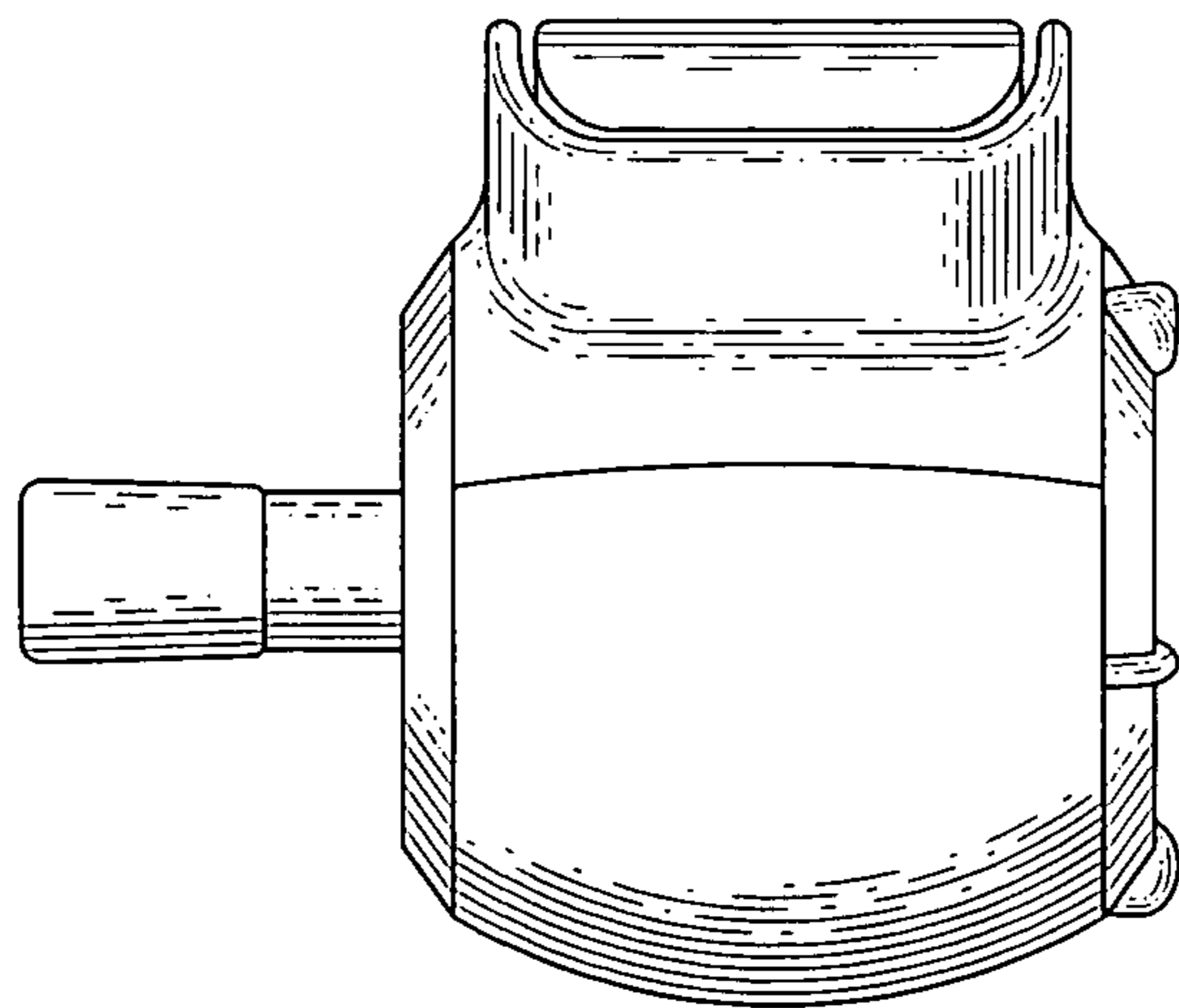


Fig. 3

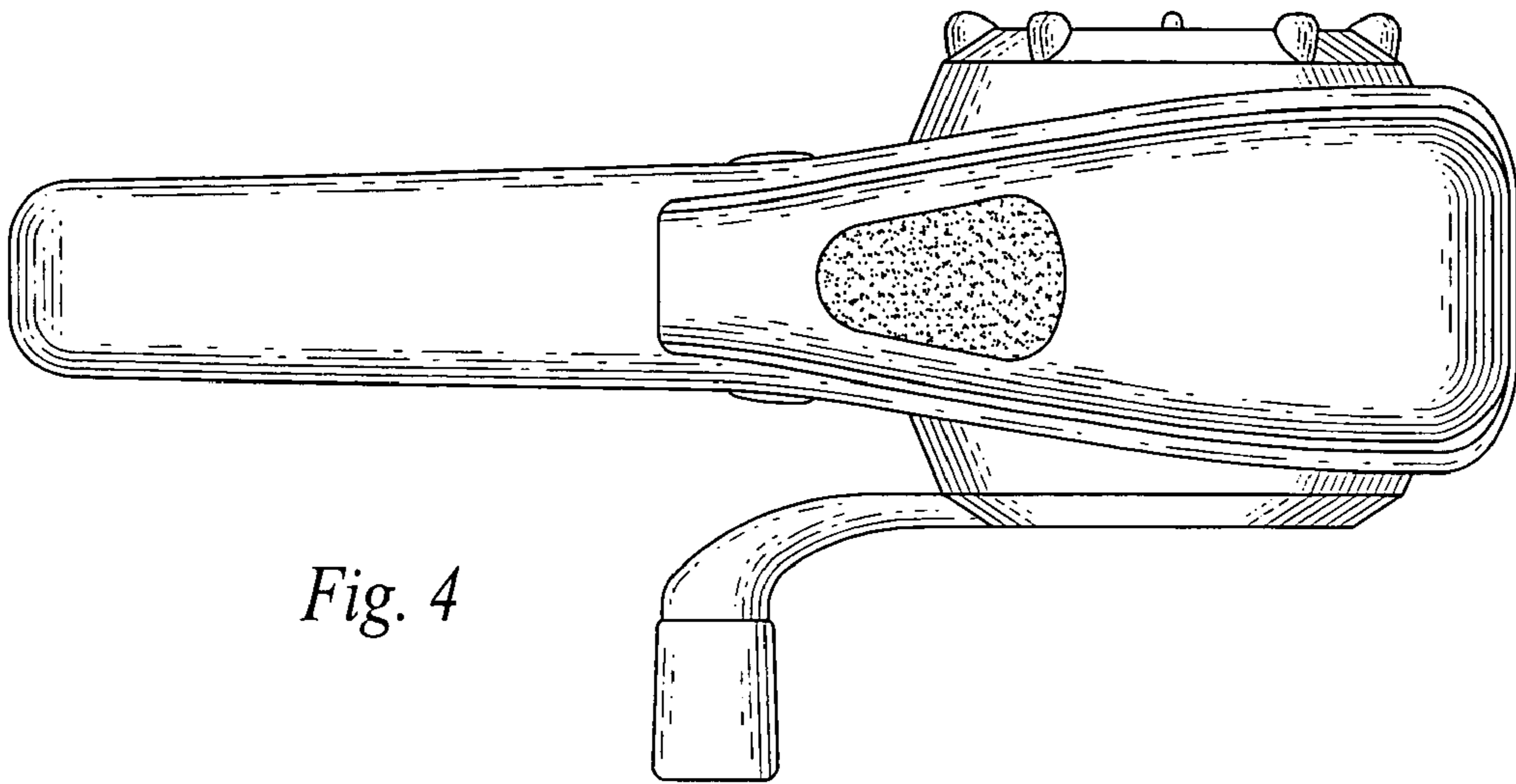


Fig. 4

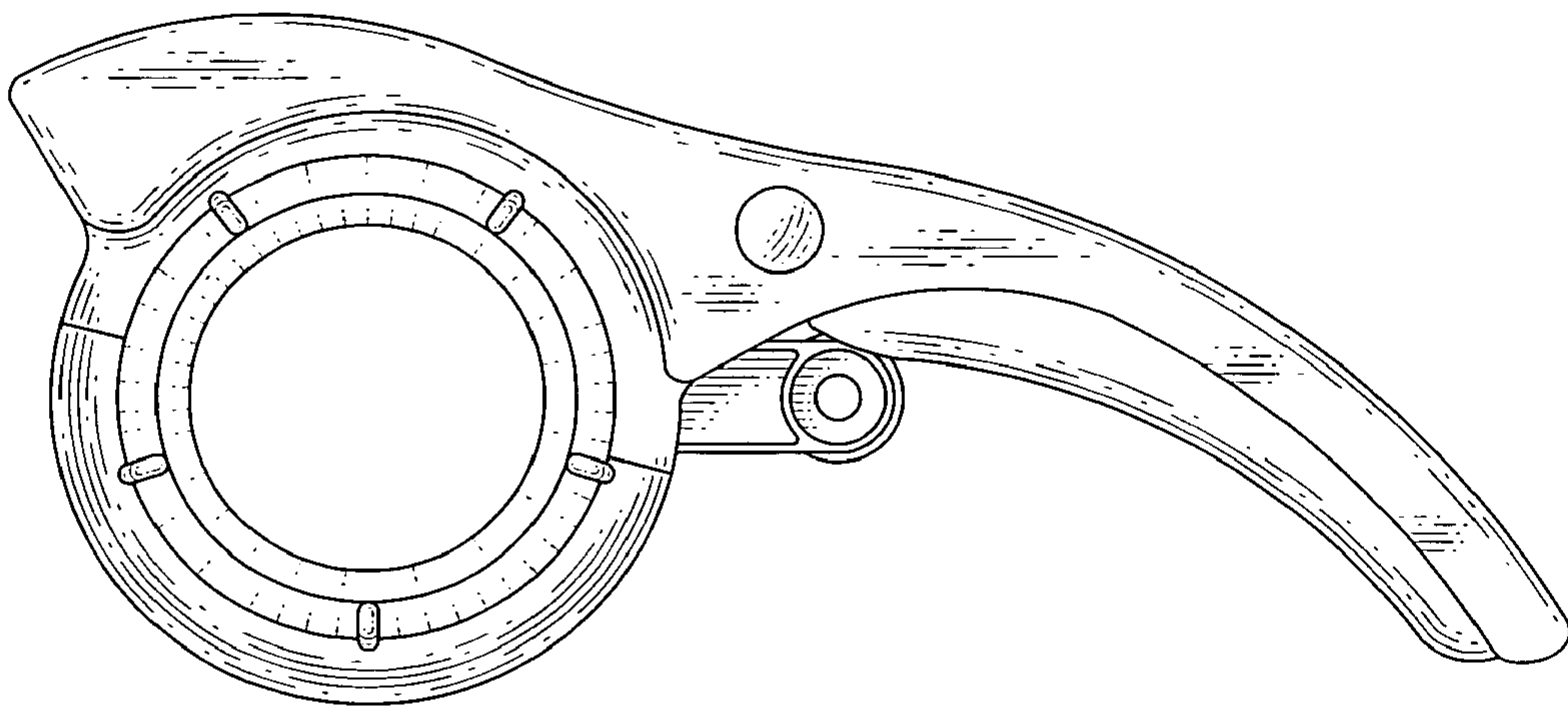


Fig. 5

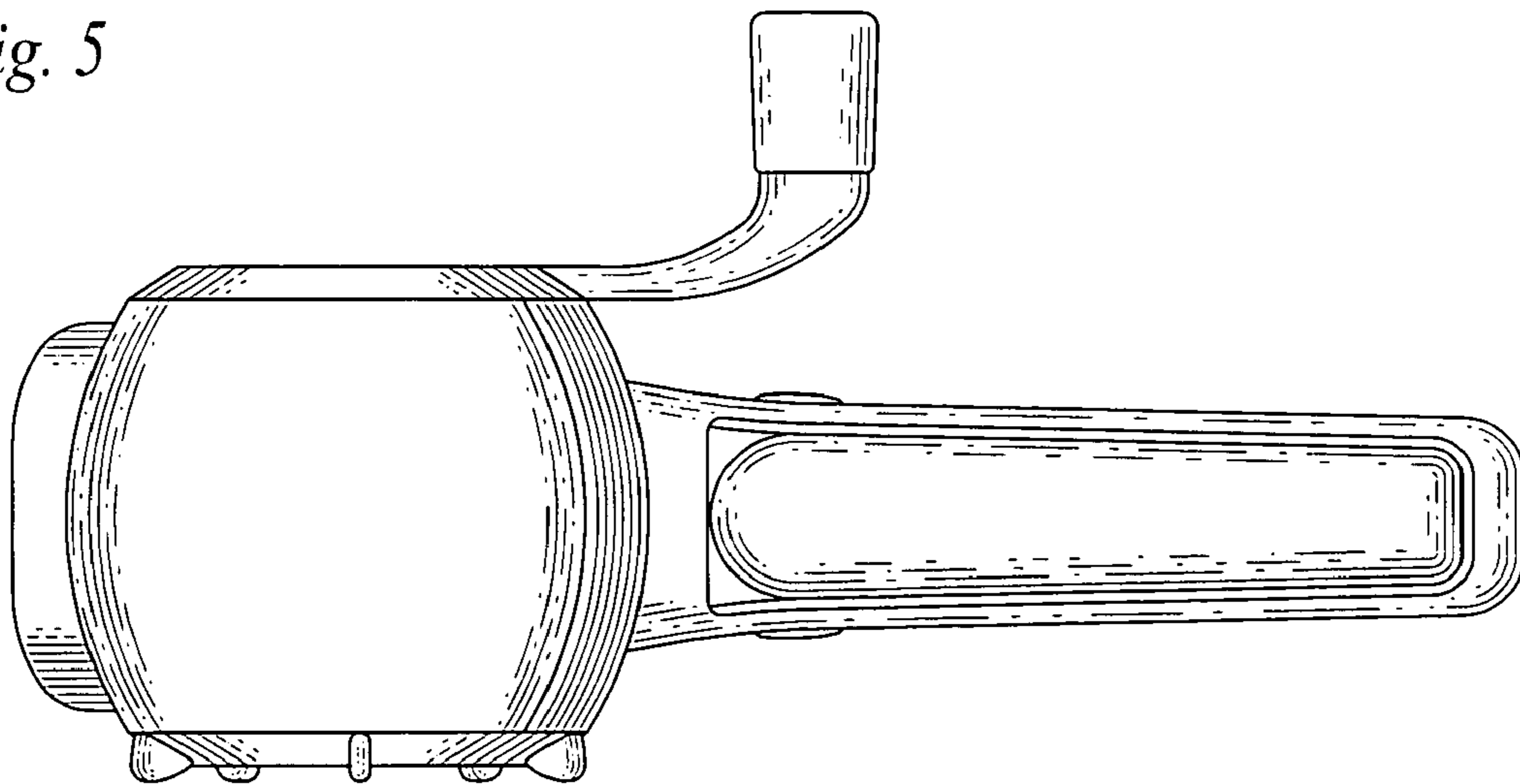


Fig. 6

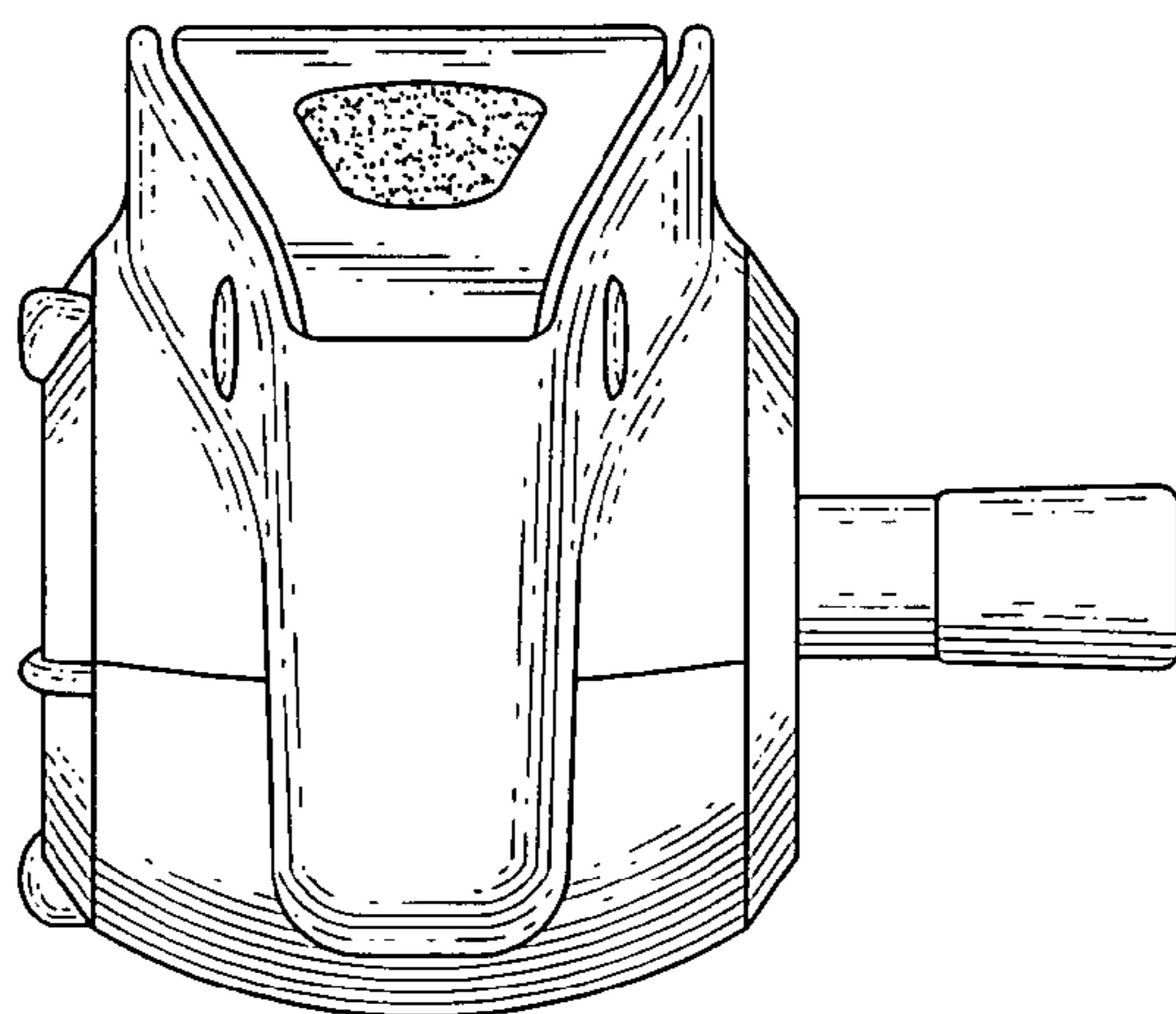


Fig. 7

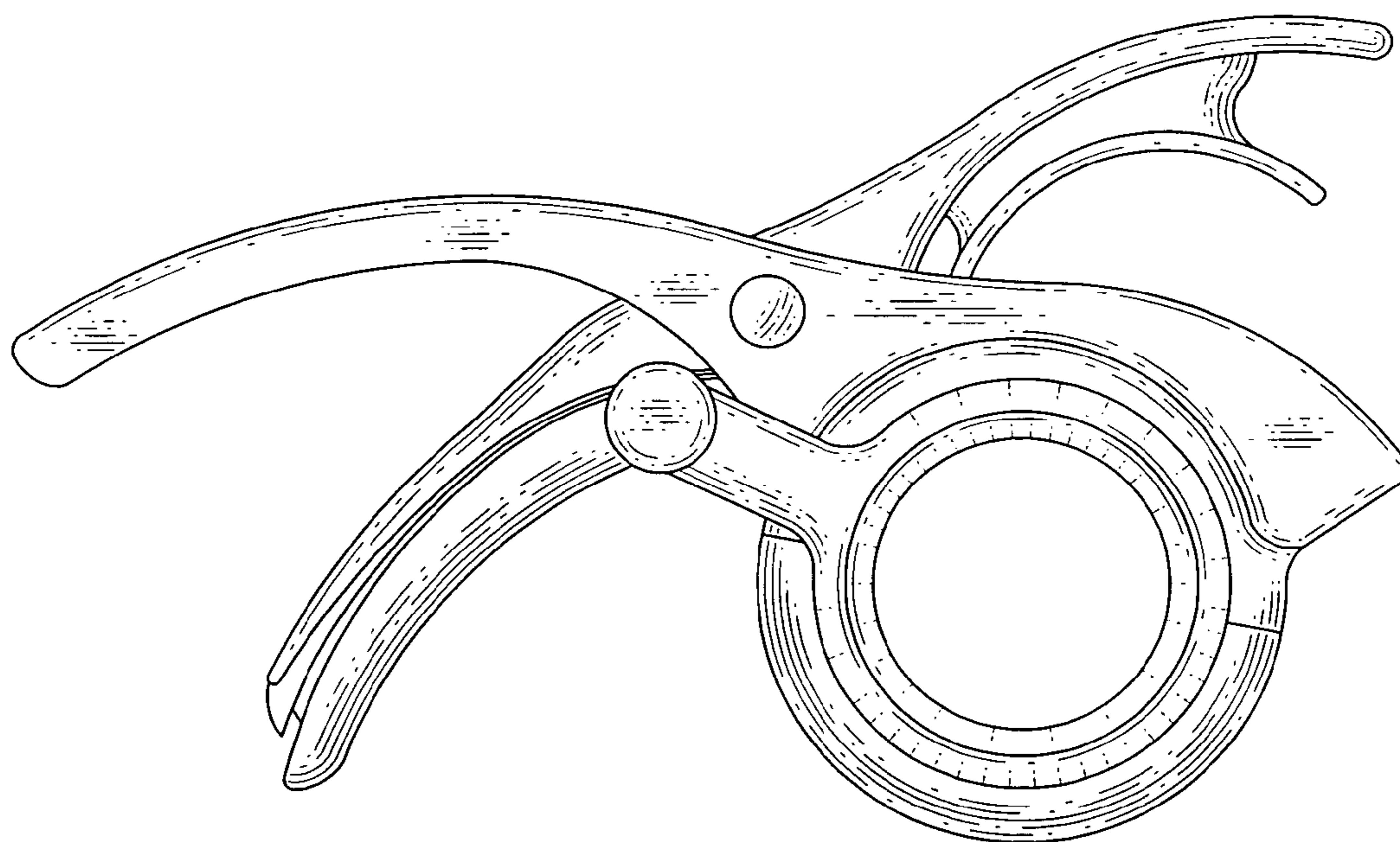


Fig. 8