



US00D578837S

(12) **United States Design Patent**
Hood

(10) **Patent No.:** **US D578,837 S**
(45) **Date of Patent:** **** Oct. 21, 2008**

(54) **POTATO CHIPPER**

(75) Inventor: **Lance Logan Hood**, Seattle, WA (US)

(73) Assignee: **Kwok Kuen So**, Kowloon (HK)

(**) Term: **14 Years**

(21) Appl. No.: **29/302,541**

(22) Filed: **Jan. 18, 2008**

(51) **LOC (8) Cl.** **07-04**

(52) **U.S. Cl.** **D7/674**

(58) **Field of Classification Search** D7/672-677;
30/301, 302, 314, 315, 114-117

See application file for complete search history.

(56) **References Cited**

U.S. PATENT DOCUMENTS

D296,176 S * 6/1988 Glenn D7/673

D327,822 S * 7/1992 Kong D7/673

D364,321 S * 11/1995 Lui et al. D7/673

* cited by examiner

Primary Examiner—Terry A Wallace

(74) *Attorney, Agent, or Firm*—Michael J. Hughes; IPLO
Intellectual Property Law Offices

(57) **CLAIM**

The ornamental design for a potato chipper, as shown.

DESCRIPTION

FIG. 1 is a front top left perspective view of the potato chipper;

FIG. 2 is a left side elevational view thereof;

FIG. 3 is a right side elevational view thereof;

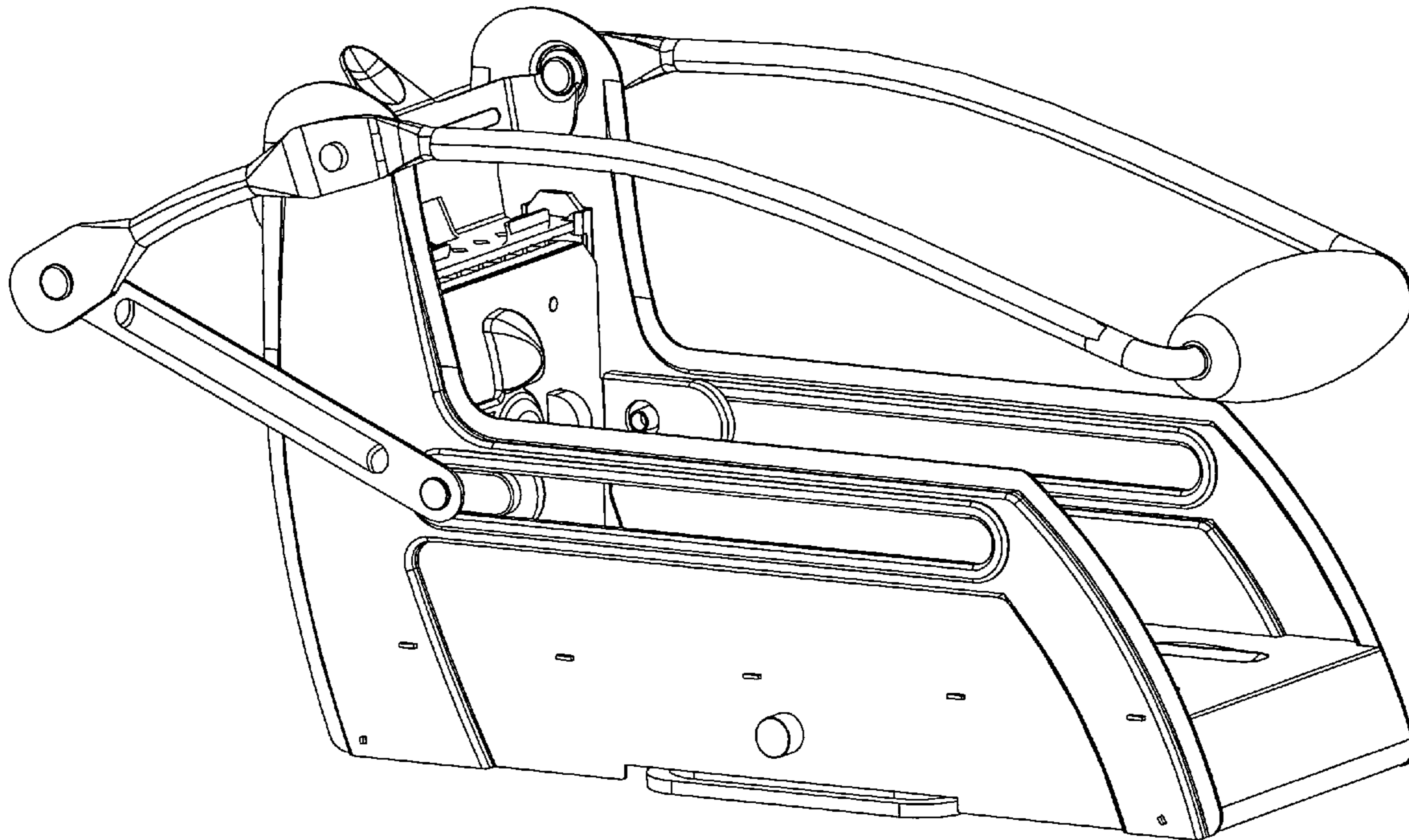
FIG. 4 is a front plan view thereof;

FIG. 5 is a rear plan view thereof;

FIG. 6 is a top plan view thereof; and,

FIG. 7 is bottom plan view thereof.

1 Claim, 4 Drawing Sheets



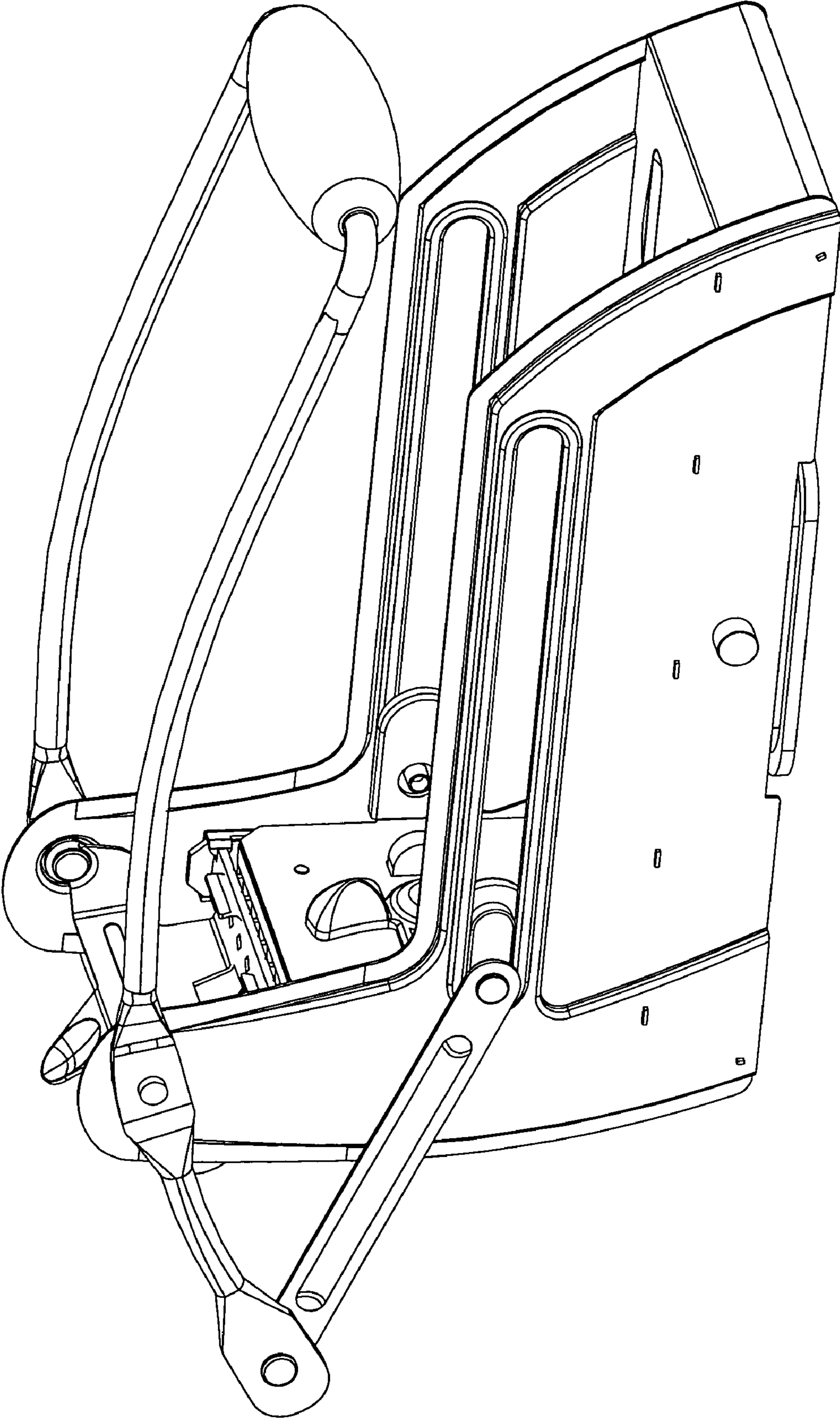


Figure 1

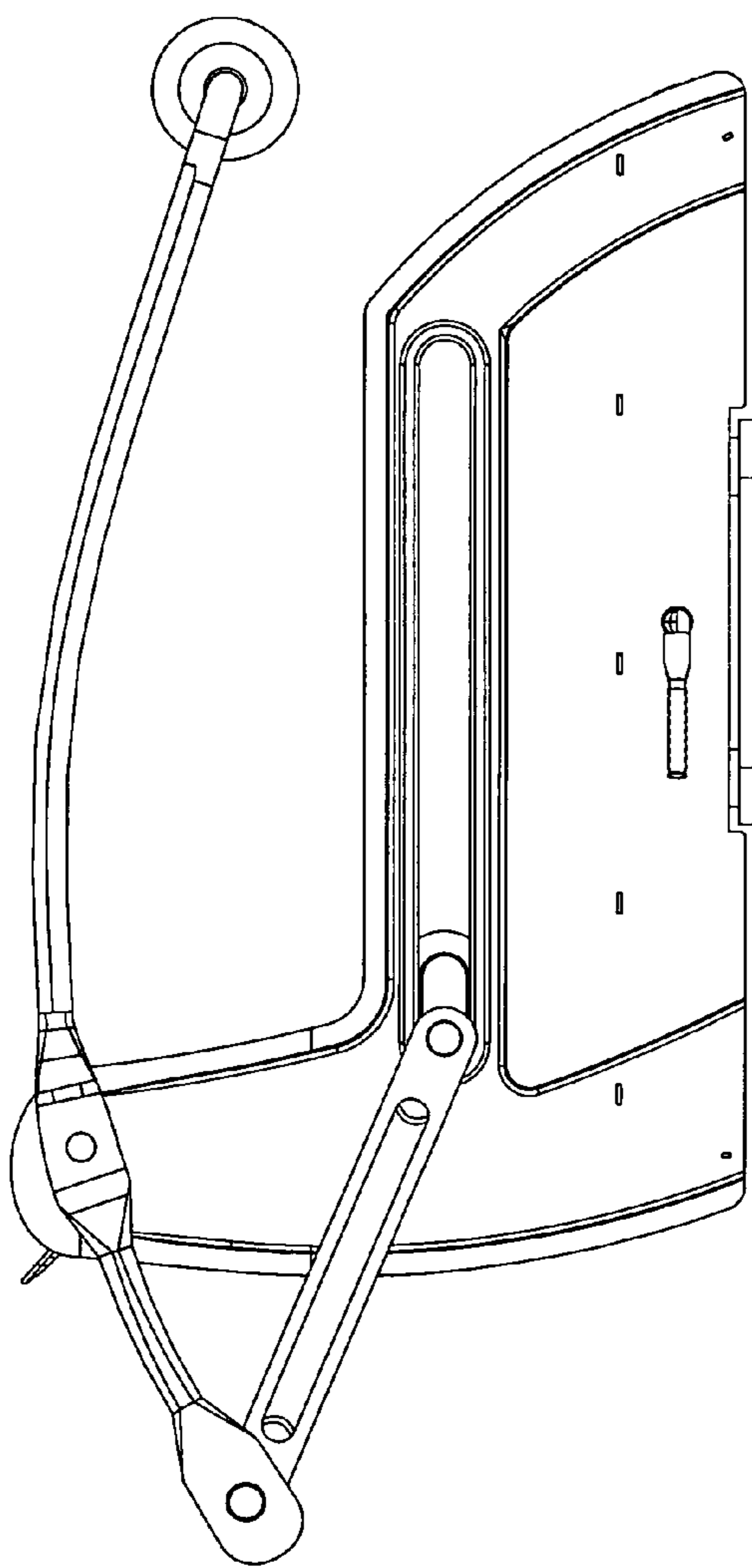


Figure 2

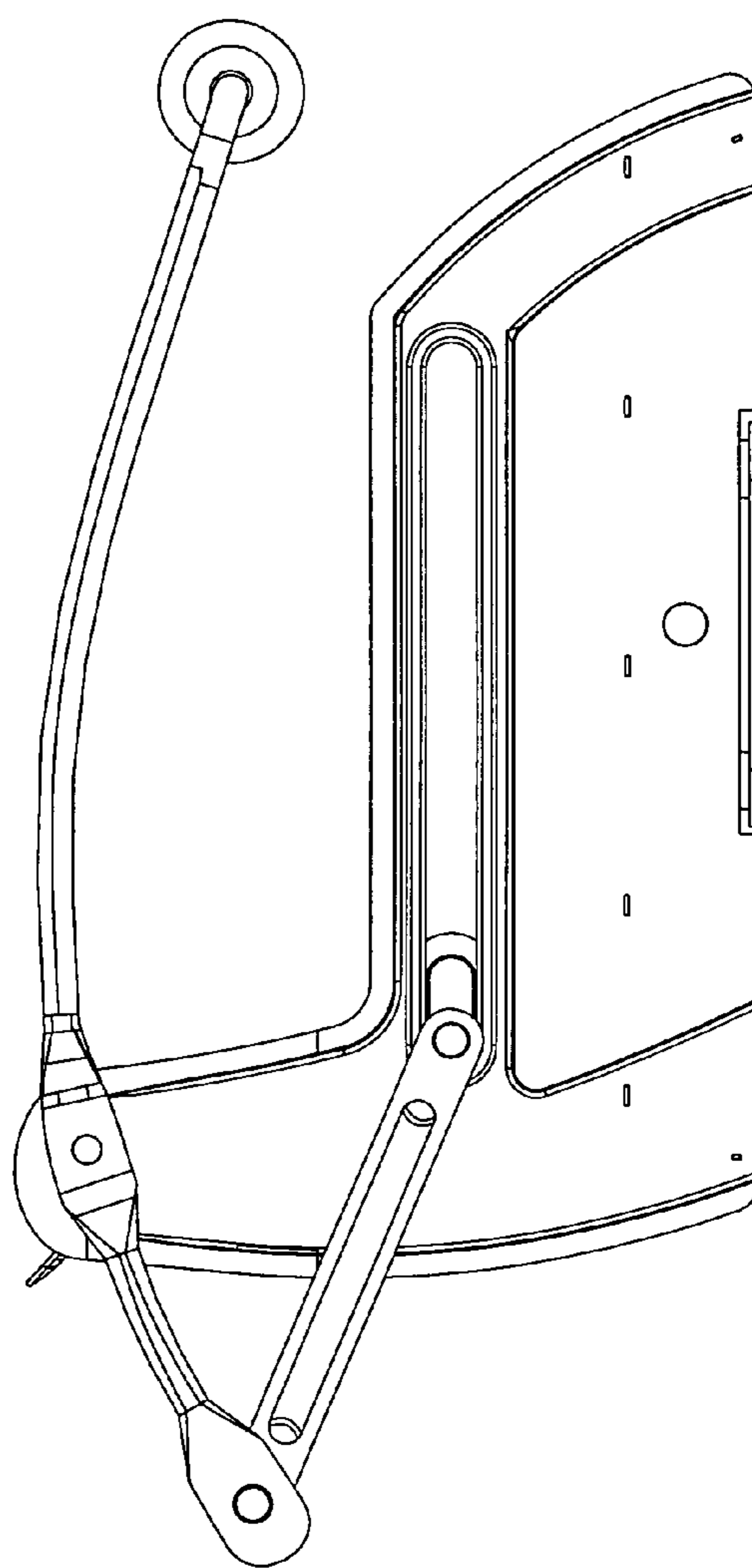


Figure 3

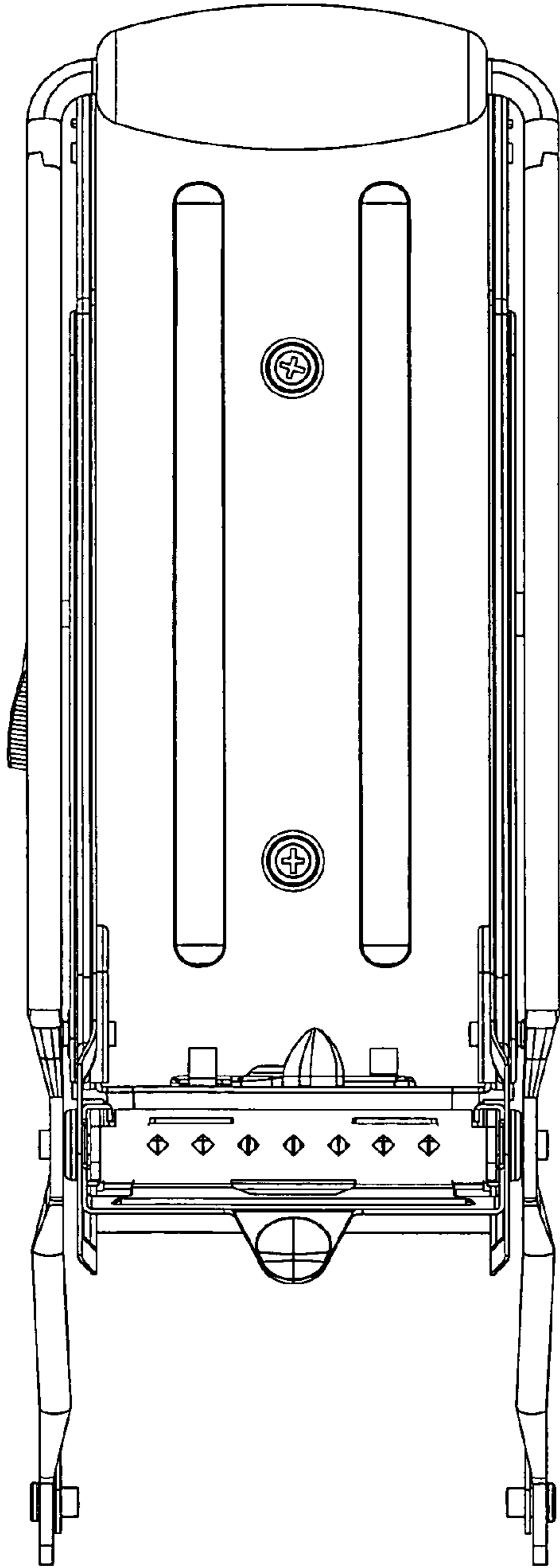


Figure 4

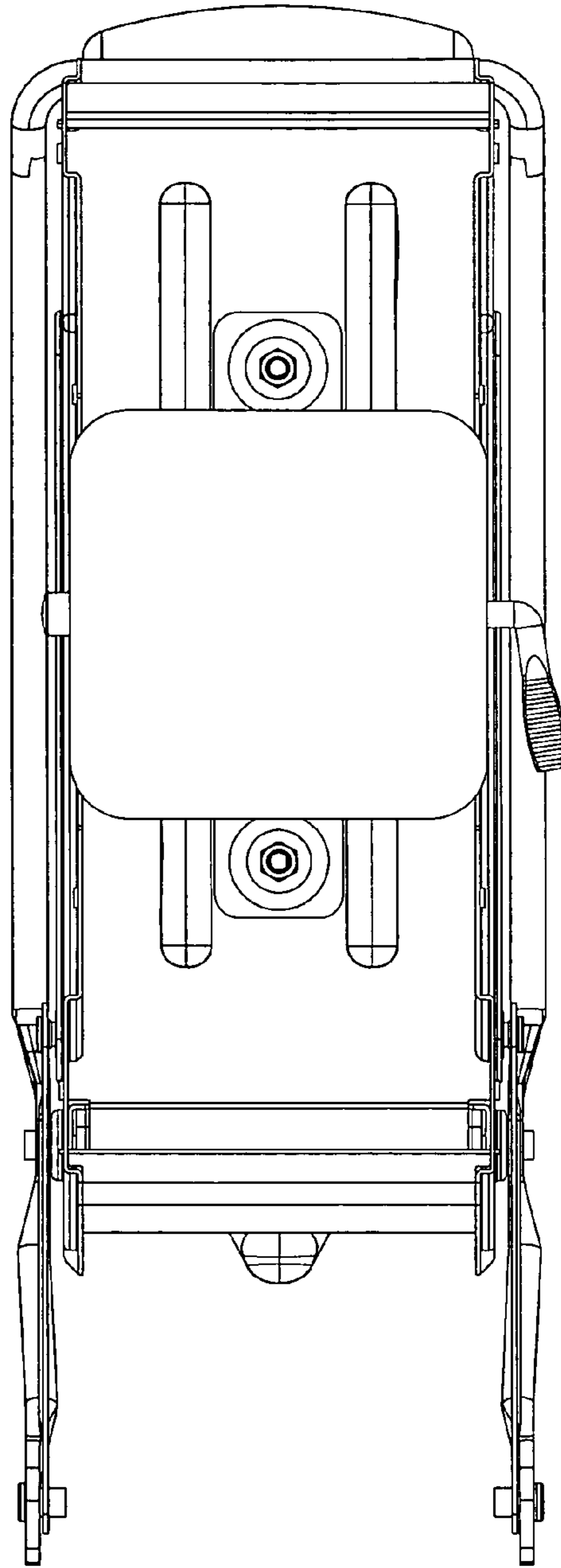


Figure 5

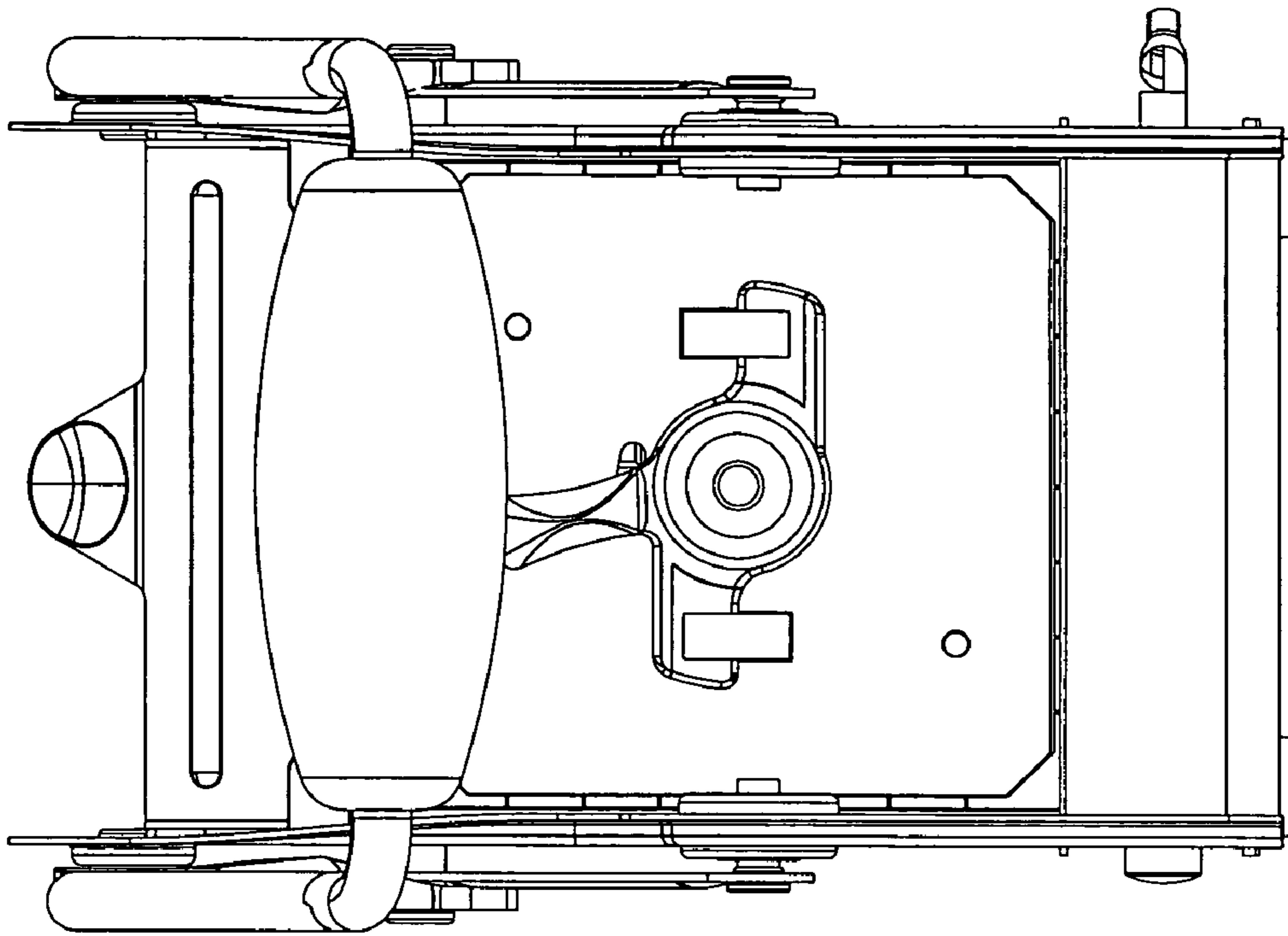


Figure 7

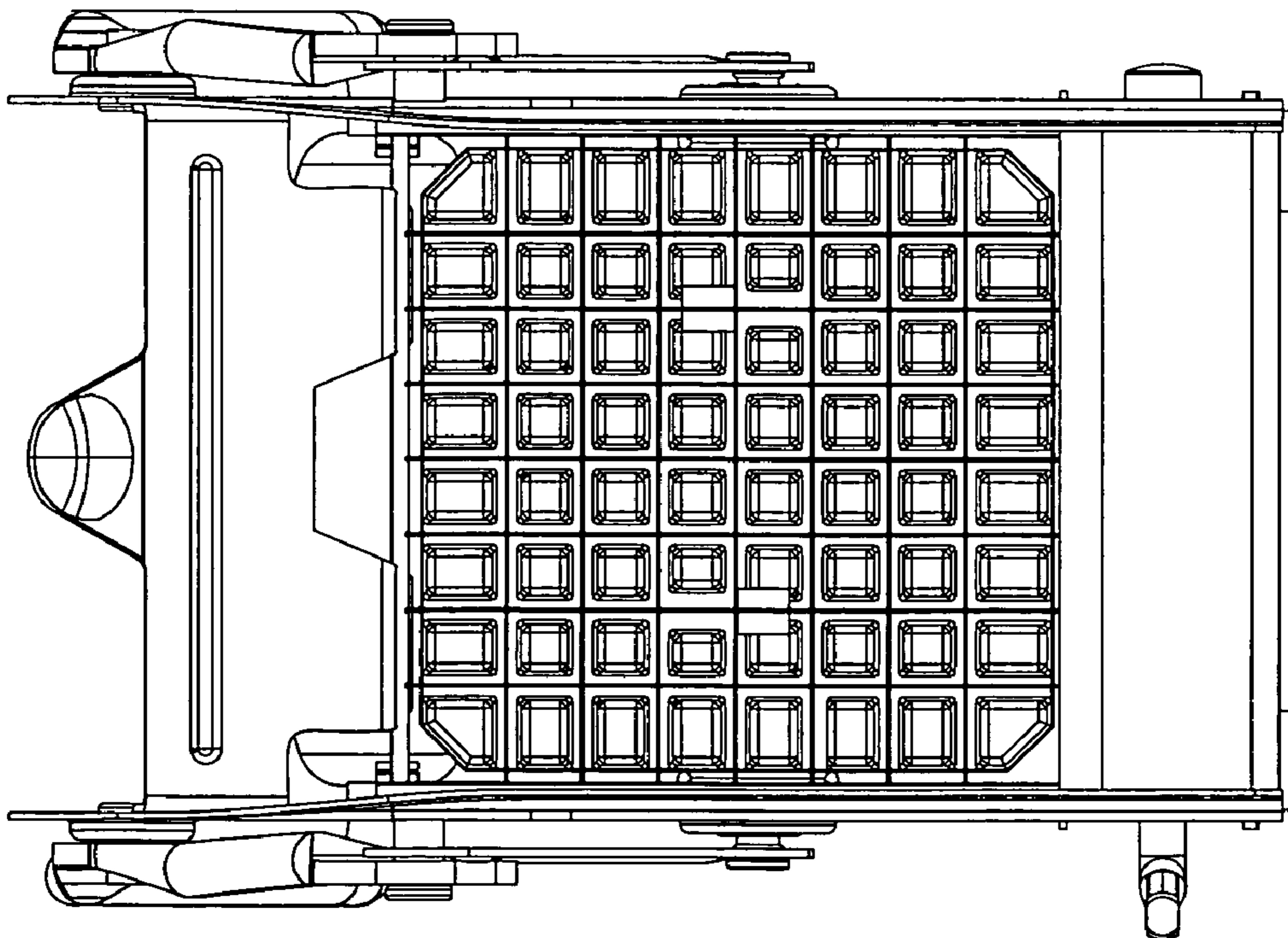


Figure 6