



US00D578834S

(12) **United States Design Patent**
Do

(10) **Patent No.:** **US D578,834 S**
(45) **Date of Patent:** **** Oct. 21, 2008**

(54) **CHOPSTICK HOLDER**

D343,096 S * 1/1994 Lachapelle D7/642

(76) Inventor: **Cuong Do**, 98 Sunflower Way,
Huntington Valley, PA (US) 19006

* cited by examiner

Primary Examiner—Terry A Wallace
(74) *Attorney, Agent, or Firm*—Goldstein Law Offices, P.C.

(**) Term: **14 Years**

(21) Appl. No.: **29/286,992**

(57) **CLAIM**

(22) Filed: **Apr. 5, 2007**

An ornamental design for a chopstick holder, as shown and described.

Related U.S. Application Data

DESCRIPTION

(63) Continuation-in-part of application No. 29/188,015,
filed on Aug. 11, 2003, now abandoned.

FIG. 1 is a perspective view of a chopstick holder.

FIG. 2 is a top plan view thereof.

(51) **LOC (8) Cl.** **07-03**

FIG. 3 is a bottom plan view thereof.

(52) **U.S. Cl.** **D7/642; D7/637**

FIG. 4 is a right side elevational view thereof.

(58) **Field of Classification Search** D7/637-642;
294/99.2, 16, 8.5, 3, 5, 1.1

FIG. 5 is a left side elevational view thereof.

See application file for complete search history.

FIG. 6 is a front elevational view of the chopstick holder.

FIG. 7 is a rear elevational view thereof; and,

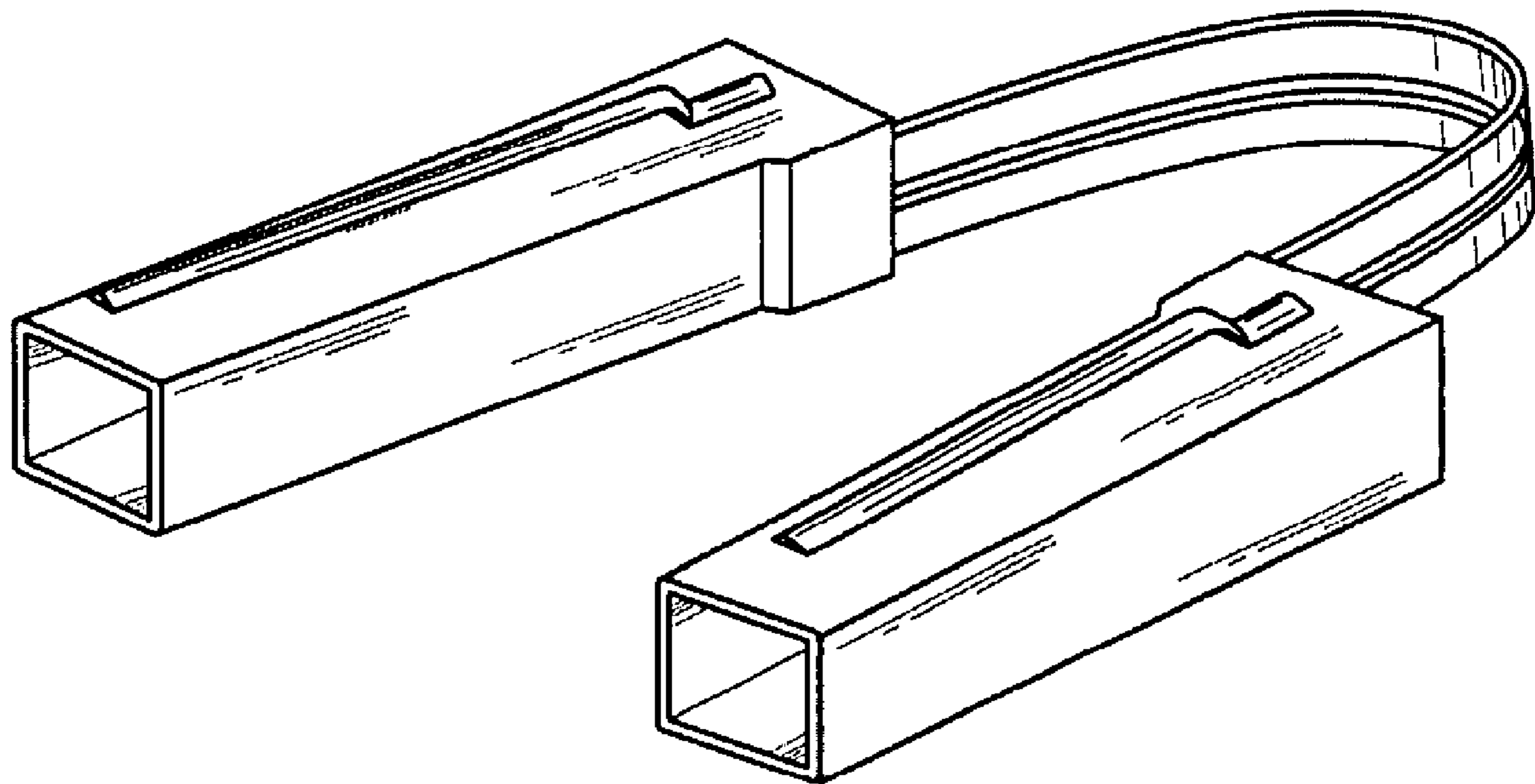
(56) **References Cited**

FIG. 8 is a perspective view of the chopstick holder in full lines with a pair of chopsticks shown in broken lines representing environmental association matter being for illustrative purposes only and forming no part of the claimed invention.

U.S. PATENT DOCUMENTS

3,186,749	A *	6/1965	Dawes	294/99.2
3,239,262	A *	3/1966	Rines et al.	294/99.2
3,637,248	A *	1/1972	Arita	294/99.2
4,576,408	A *	3/1986	Maneki	294/99.2

1 Claim, 3 Drawing Sheets



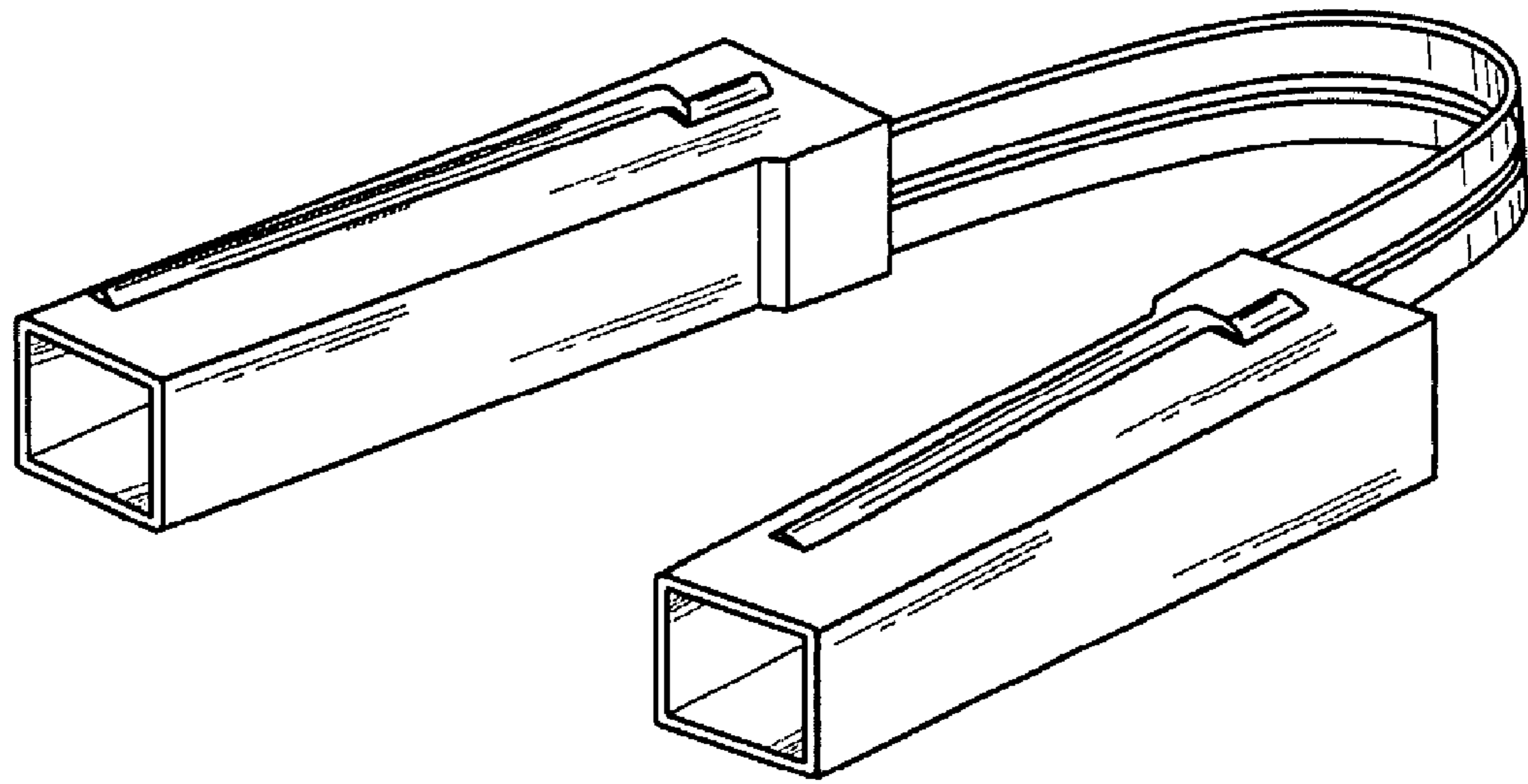


FIG. 1

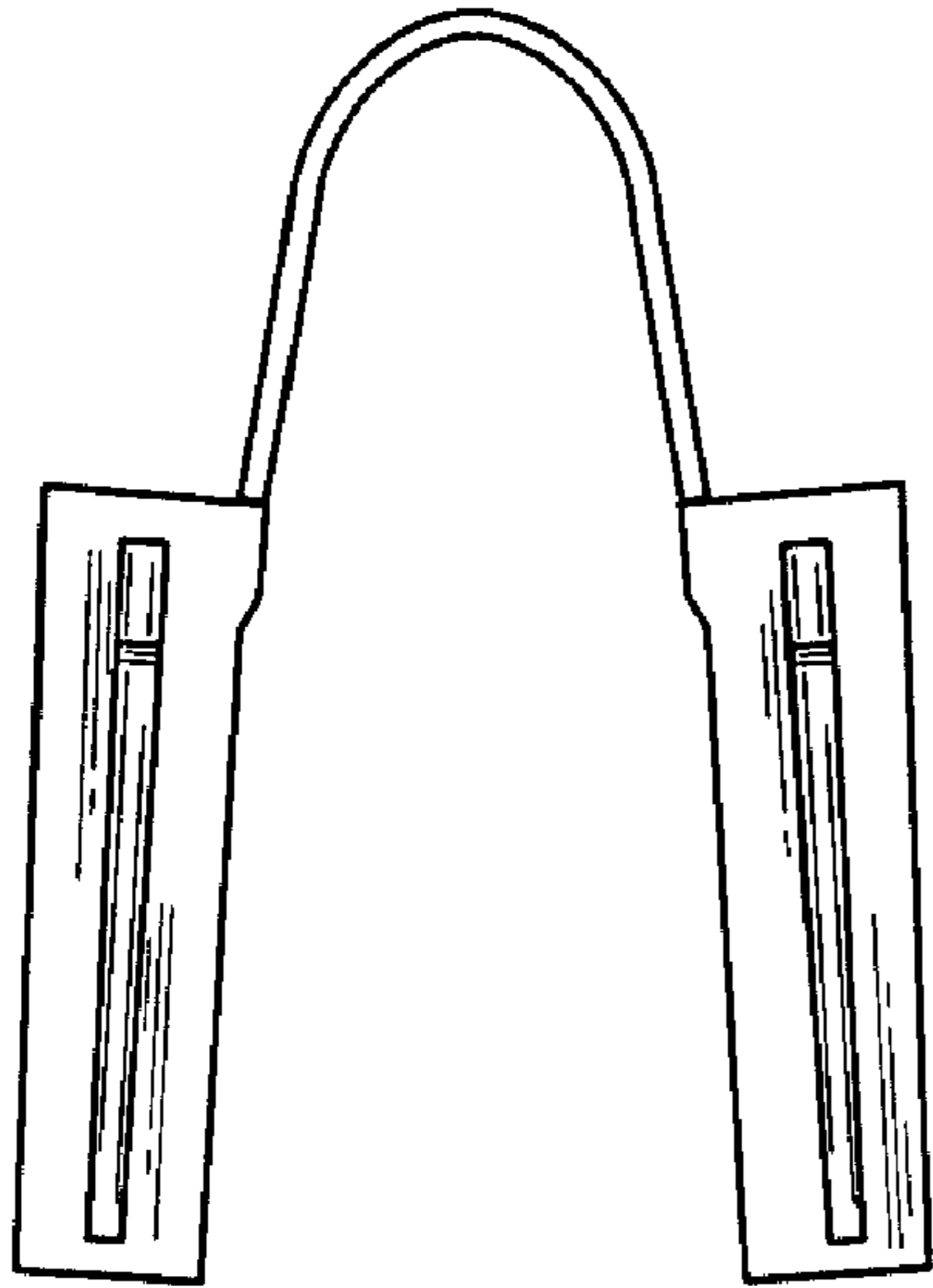


FIG. 2

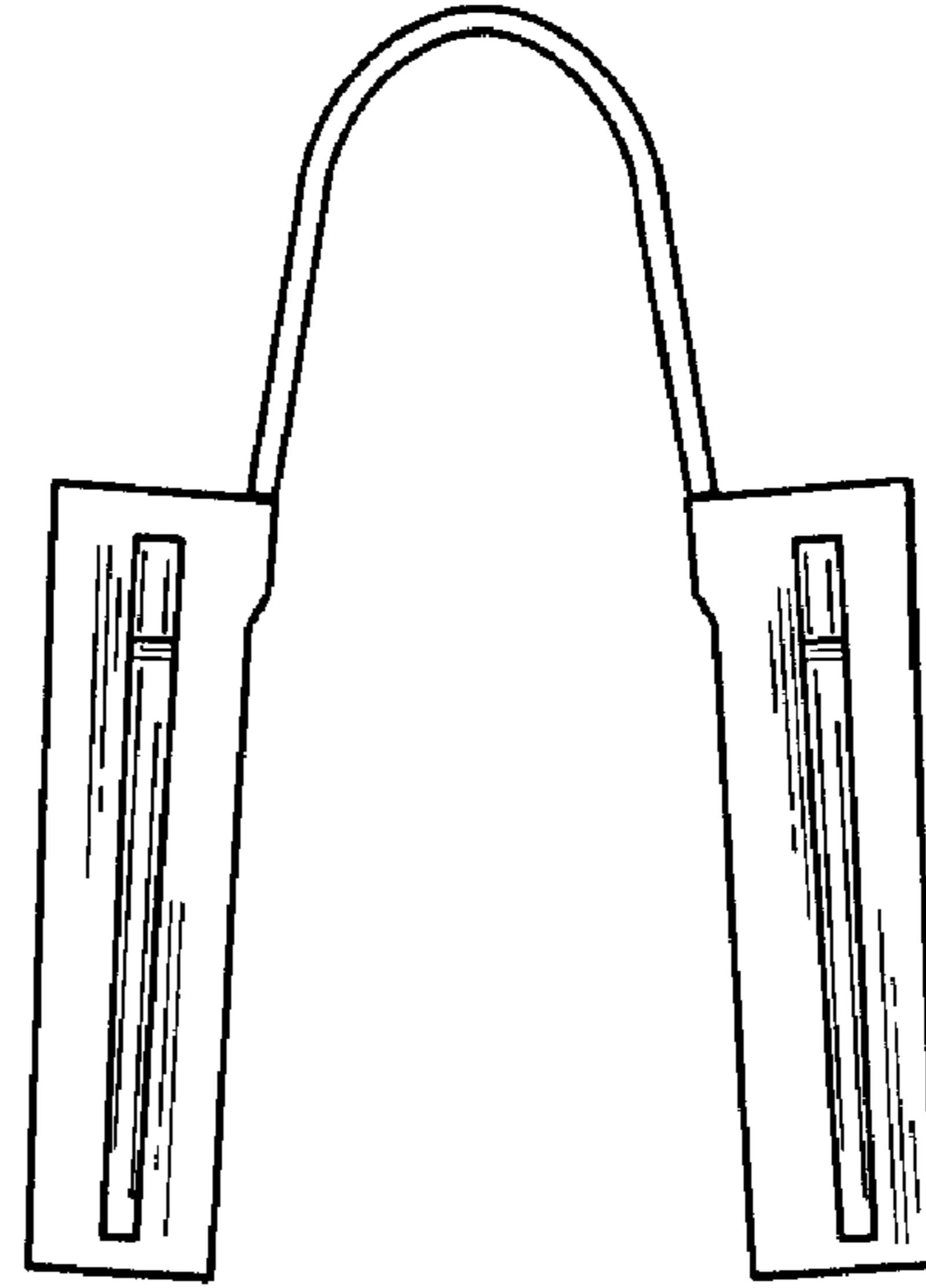


FIG. 3

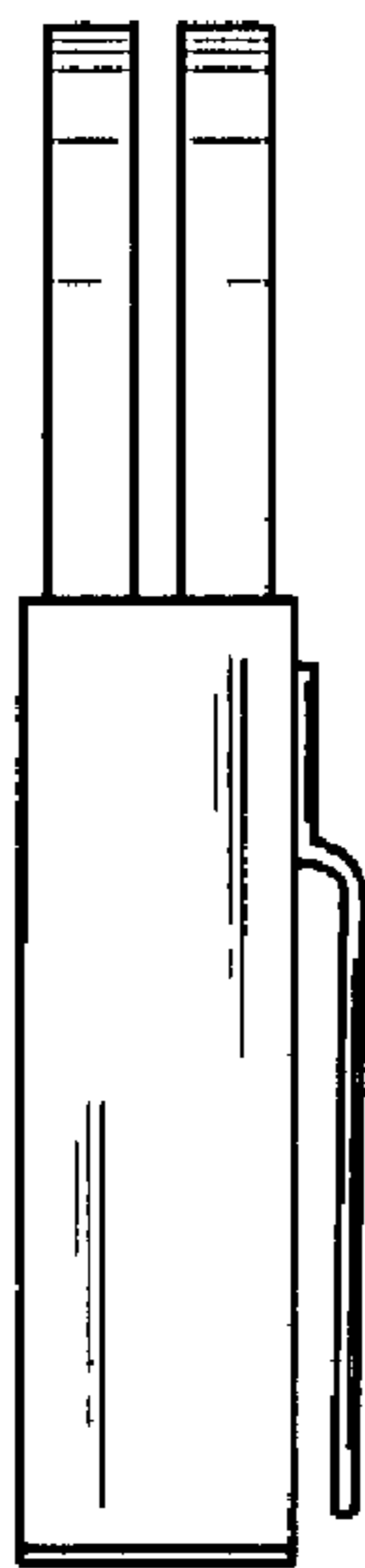


FIG. 4

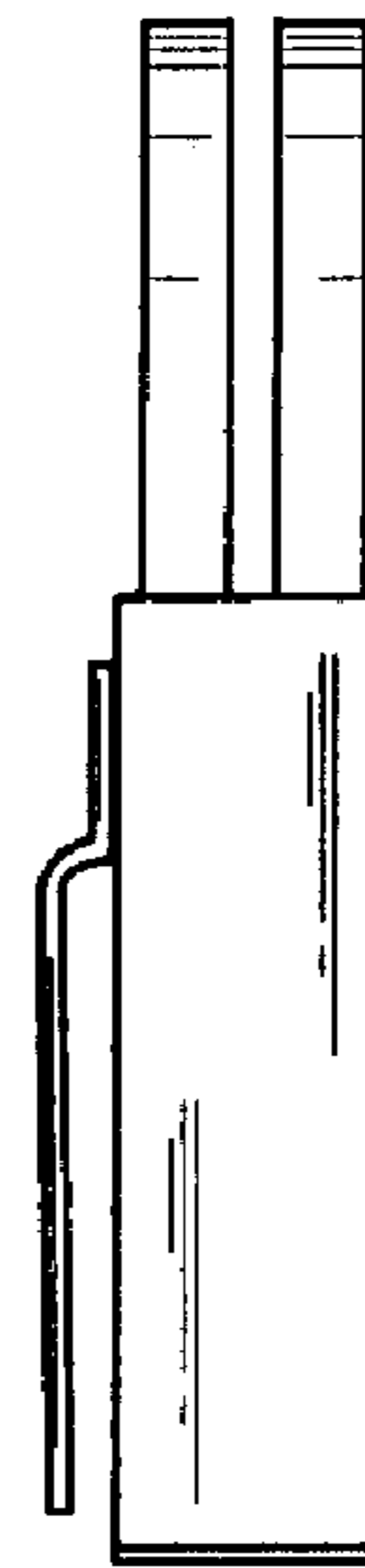


FIG. 5

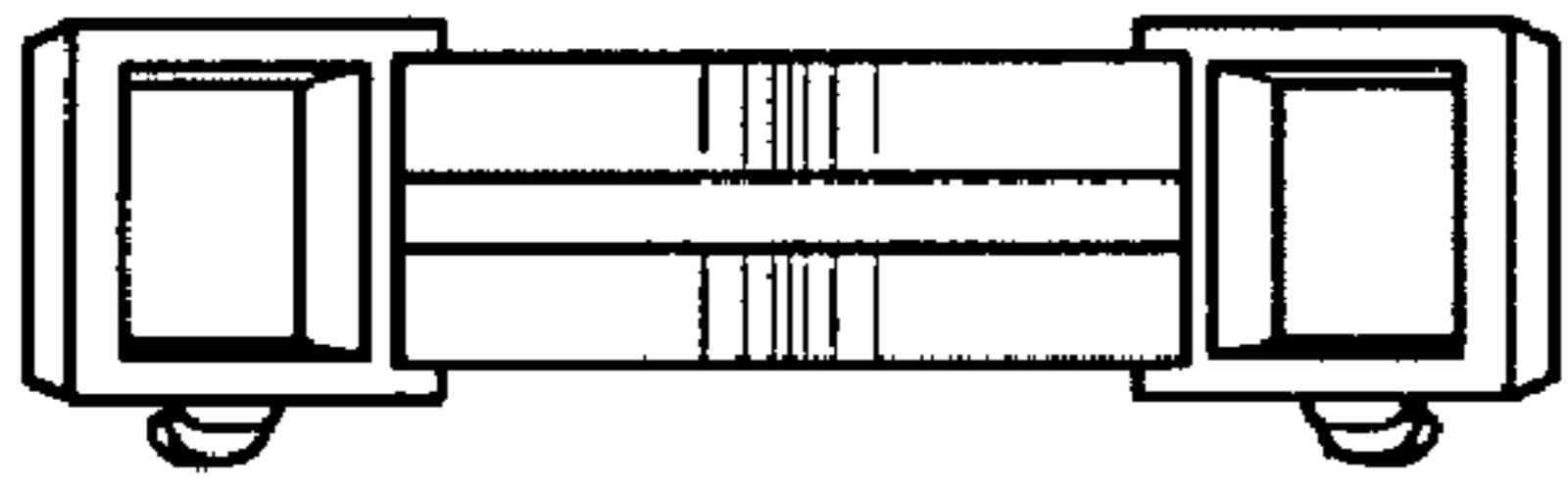


FIG. 6

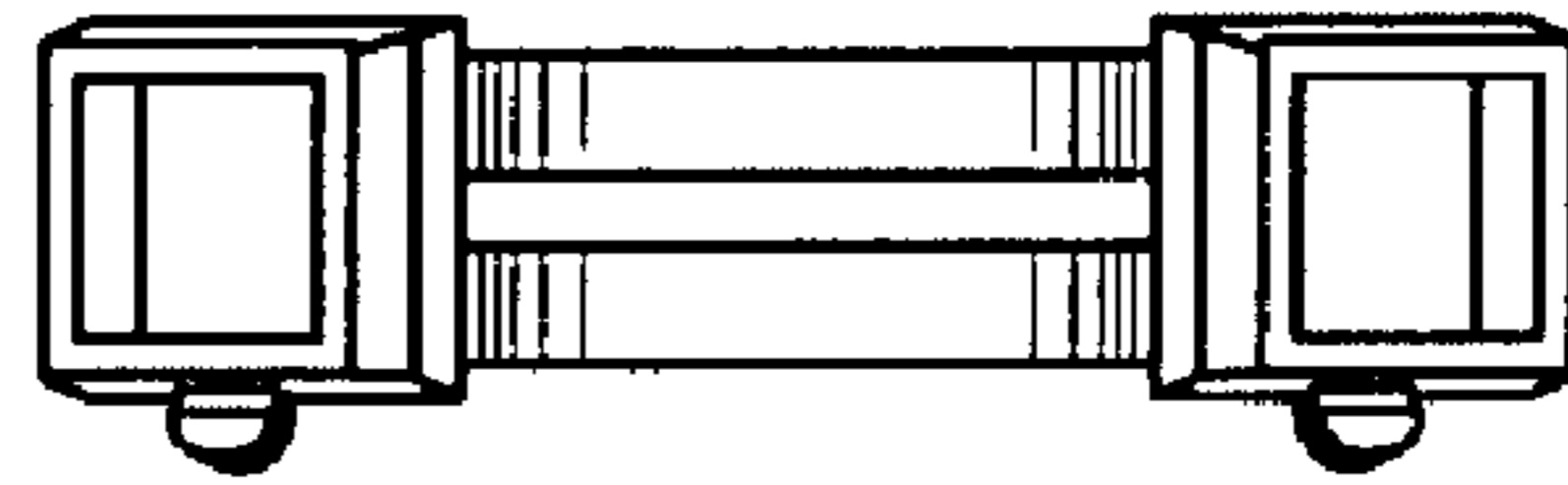


FIG. 7

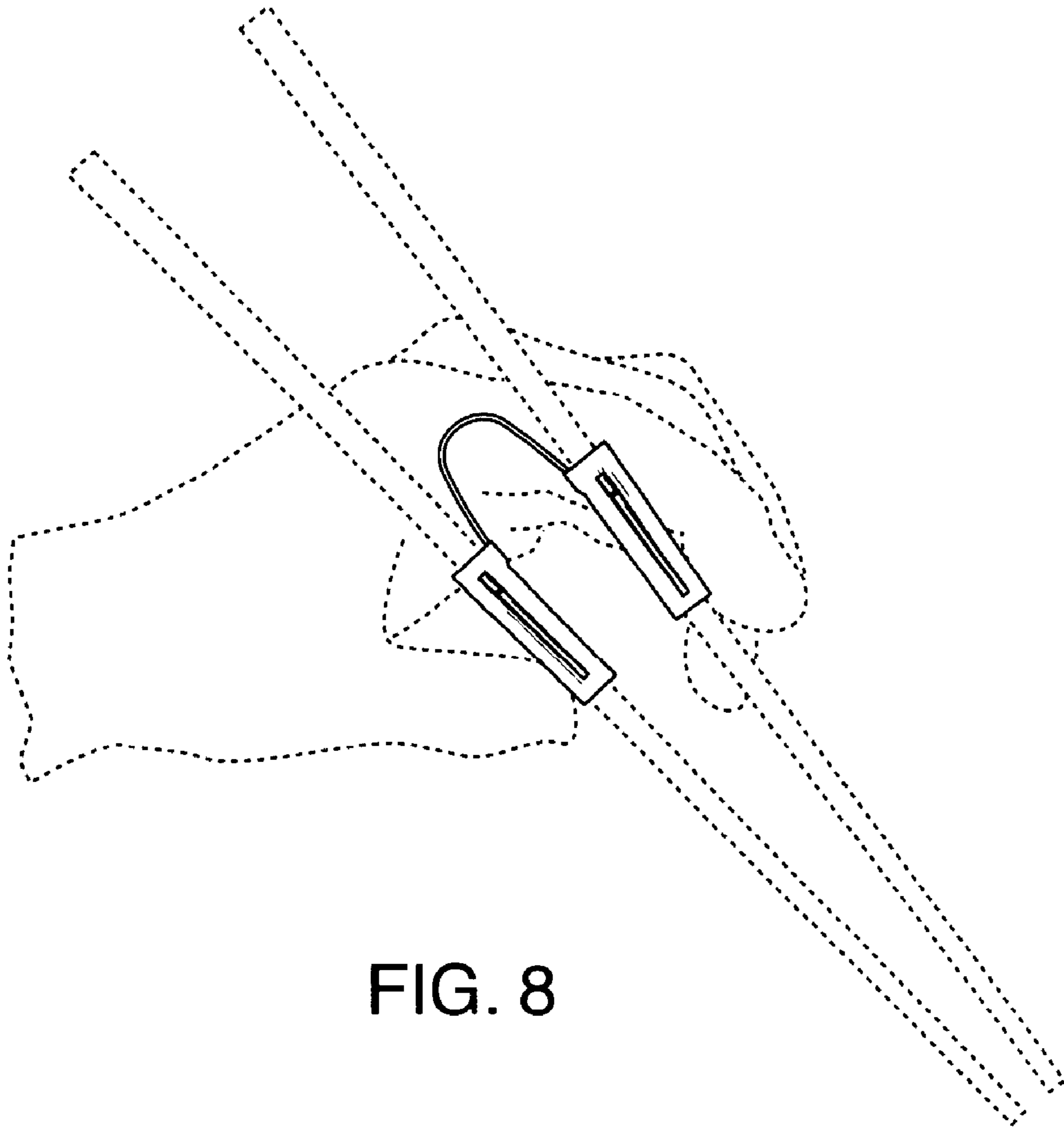


FIG. 8