



US00D578833S

(12) **United States Design Patent**
Stokes

(10) **Patent No.:** **US D578,833 S**

(45) **Date of Patent:** **** Oct. 21, 2008**

(54) **KNIFE RACK**

(75) Inventor: **Andrew Stokes**, Buxton (GB)

(73) Assignee: **Bisbell Magnetic Products Limited**,
Burton upon Trent (GB)

(**) Term: **14 Years**

(21) Appl. No.: **29/283,227**

(22) Filed: **Aug. 8, 2007**

(51) **LOC (8) Cl.** **07-99**

(52) **U.S. Cl.** **D7/637**

(58) **Field of Classification Search** D7/637-641;
211/60.1, 70.1, 70.6, 70.7, 89.01; 248/37.6,
248/206.5, 309.4

See application file for complete search history.

(56) **References Cited**

U.S. PATENT DOCUMENTS

1,876,284 A * 9/1932 Fried 211/70.7
2,753,631 A * 7/1956 Culver 248/37.6
2,754,008 A * 7/1956 Culver 248/37.6

3,842,980 A * 10/1974 Kushner 248/205.3
4,934,539 A * 6/1990 Lu 211/70.7
4,966,339 A * 10/1990 Lu 248/37.3
D327,387 S * 6/1992 Hofer D7/641
D395,800 S * 7/1998 Sampson D7/637
6,719,155 B1 * 4/2004 Chang 211/70.6
6,811,127 B1 * 11/2004 Shiao 248/206.5

* cited by examiner

Primary Examiner—Terry A Wallace

(74) *Attorney, Agent, or Firm*—Goodwin Procter, LLP

(57) **CLAIM**

The ornamental design for a knife rack, as shown and described.

DESCRIPTION

FIG. 1 is a top plan view of the knife rack;
FIG. 2 is a perspective view of the knife rack;
FIG. 3 is a front view of the knife rack; and,
FIG. 4 is a side view of the knife rack (the other side view corresponds).

1 Claim, 1 Drawing Sheet

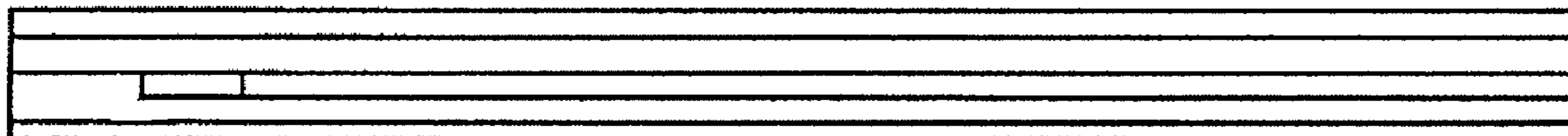




FIG. 1

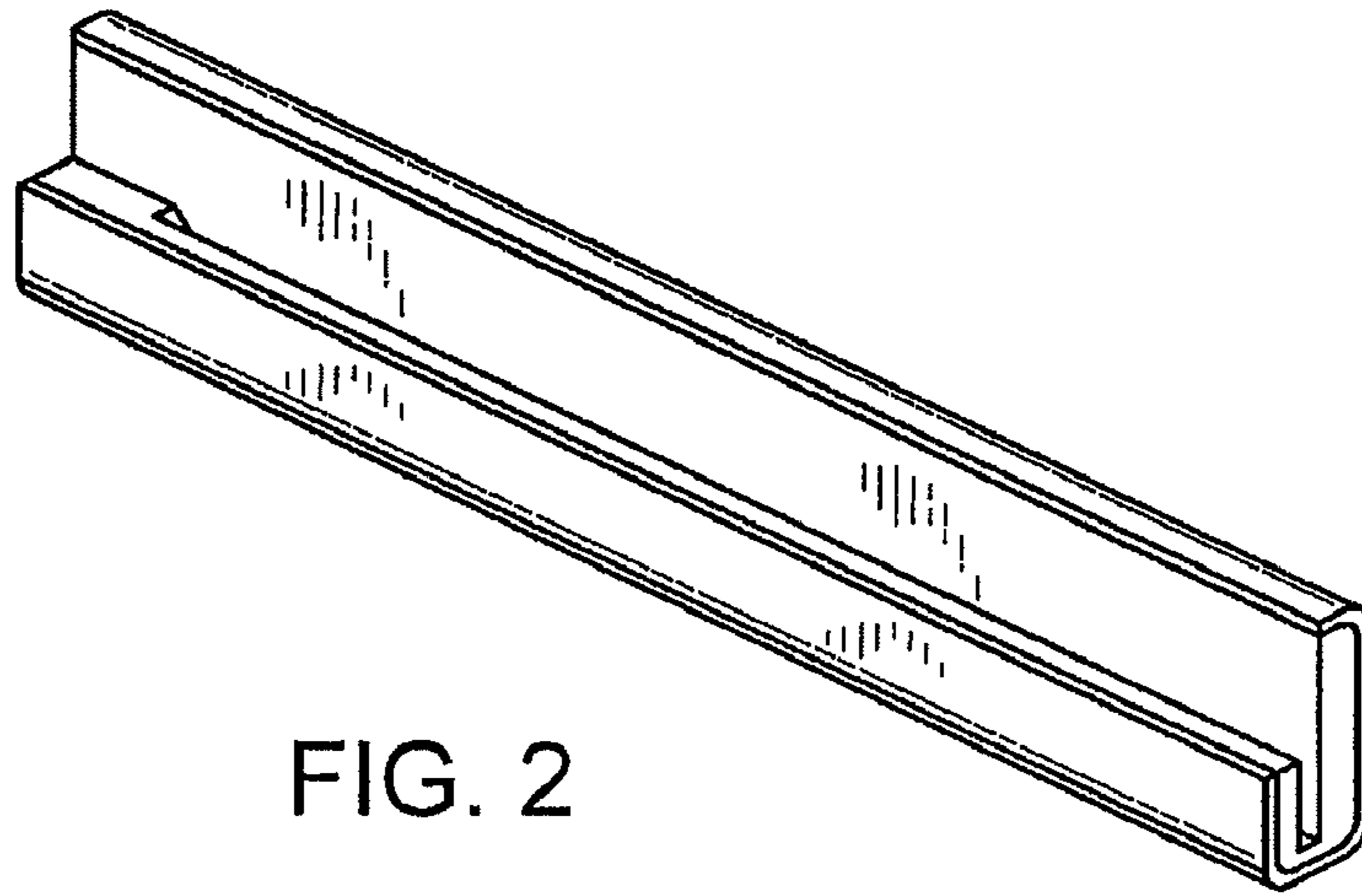


FIG. 2

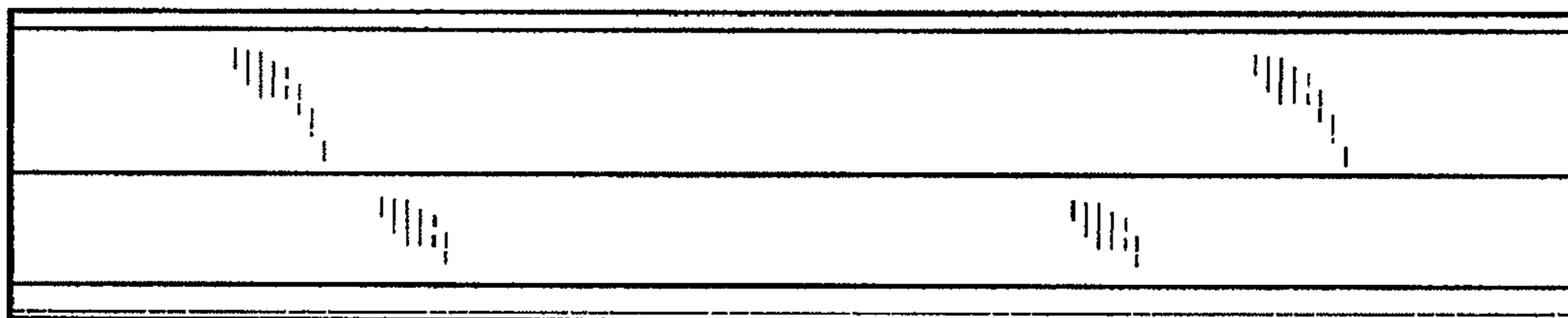


FIG. 3

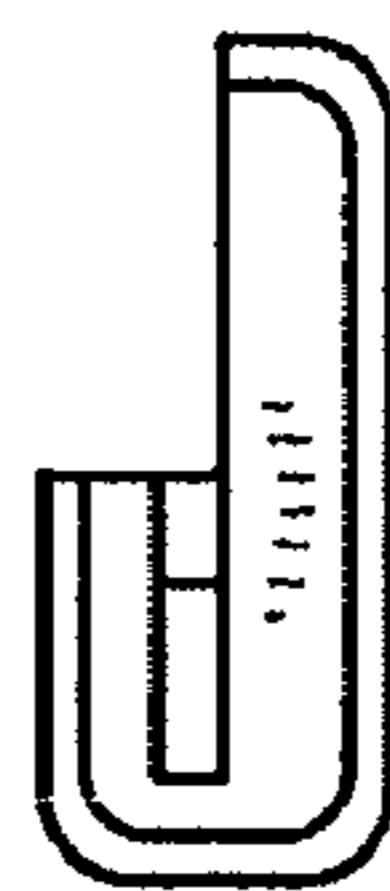


FIG. 4