

US00D578832S

(12) **United States Design Patent**
Lloyd-Morris

(10) **Patent No.:** **US D578,832 S**

(45) **Date of Patent:** **** Oct. 21, 2008**

(54) **KNIFE RACK**

(75) **Inventor:** **William Lloyd-Morris**, Sutton Coldfield (GB)

(73) **Assignee:** **Bisbell Magnetic Products Limited**, Burton upon Trent (GB)

(**) **Term:** **14 Years**

(21) **Appl. No.:** **29/283,226**

(22) **Filed:** **Aug. 8, 2007**

(51) **LOC (8) Cl.** **07-99**

(52) **U.S. Cl.** **D7/637**

(58) **Field of Classification Search** D7/637-641;
211/60.1, 70.1, 70.6, 70.7, 89.01; 248/37.6,
248/206.5, 309.4

See application file for complete search history.

(56) **References Cited**

U.S. PATENT DOCUMENTS

1,876,284	A *	9/1932	Fried	211/70.7
2,753,631	A *	7/1956	Culver	248/37.6
2,754,008	A *	7/1956	Culver	248/37.6
3,842,980	A *	10/1974	Kushner	248/205.3

4,934,539	A *	6/1990	Lu	211/70.7
4,966,339	A *	10/1990	Lu	248/37.3
D327,387	S *	6/1992	Hofer	D7/641
D395,800	S *	7/1998	Sampson	D7/637
6,719,155	B1 *	4/2004	Chang	211/70.6
6,811,127	B1 *	11/2004	Shiao	248/206.5

* cited by examiner

Primary Examiner—Terry A Wallace

(74) *Attorney, Agent, or Firm*—Goodwin Procter LLP

(57) **CLAIM**

The ornamental design for a knife rack, as shown and described.

DESCRIPTION

FIG. 1 is a front view of the knife rack;

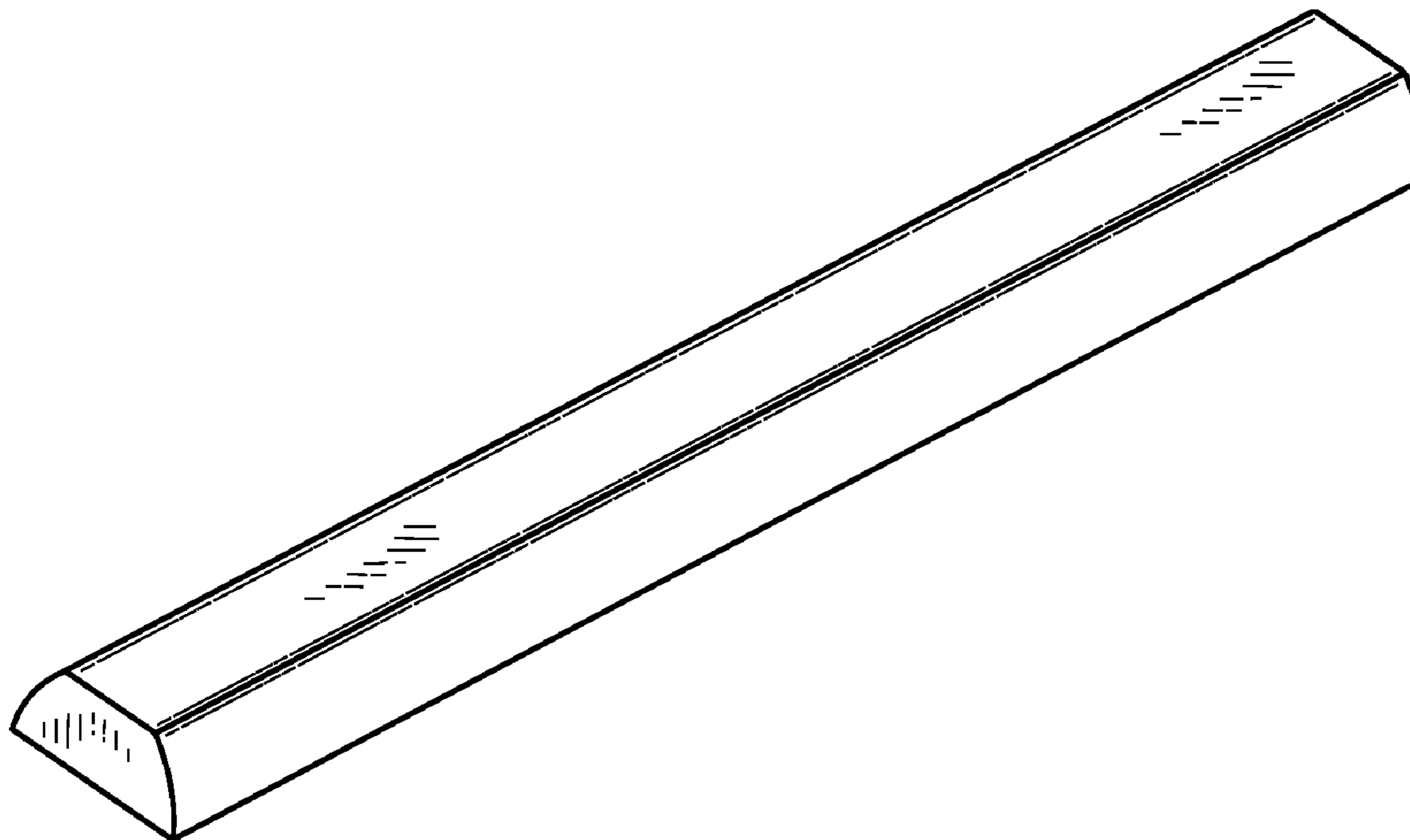
FIG. 2 is a top plan view of the knife rack (the bottom view corresponds);

FIG. 3 is a side view of the knife rack (the other side view corresponds);

FIG. 4 is a sectional view of the knife rack; and,

FIG. 5 is a perspective view of the knife rack.

1 Claim, 1 Drawing Sheet



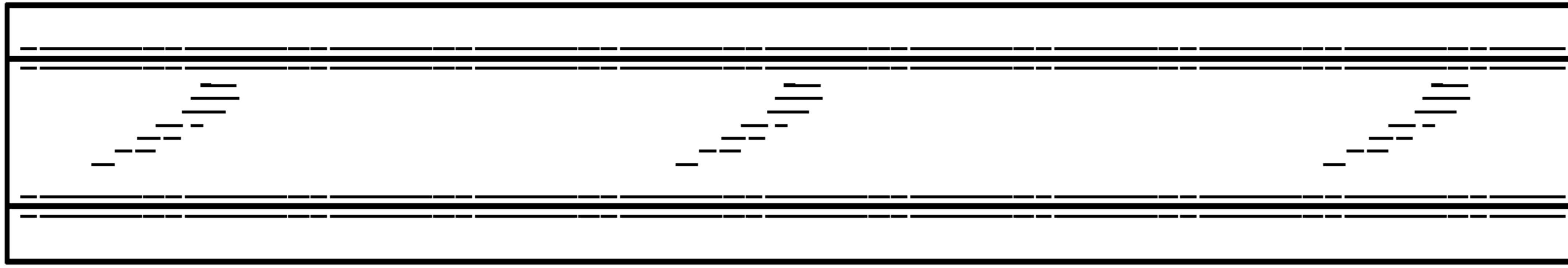


FIG. 1



FIG. 2

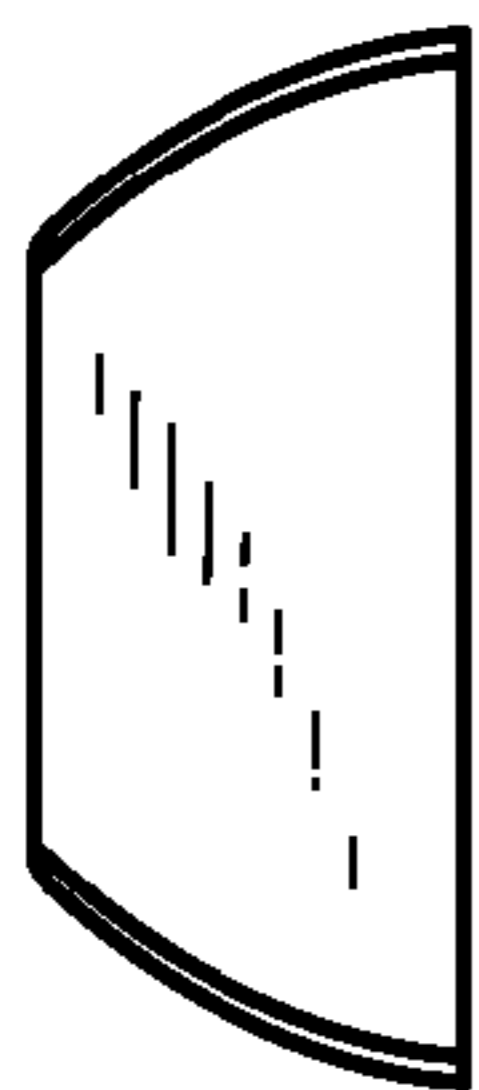


FIG. 3

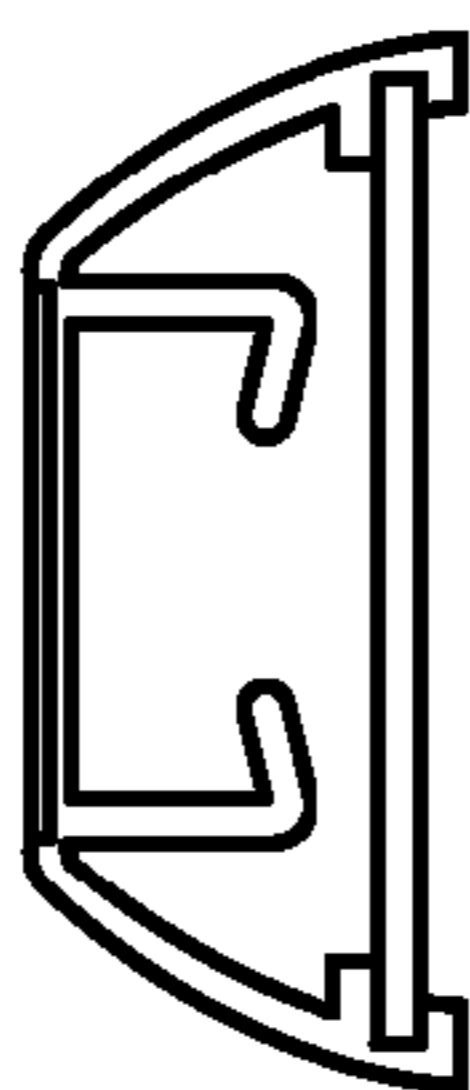


FIG. 4

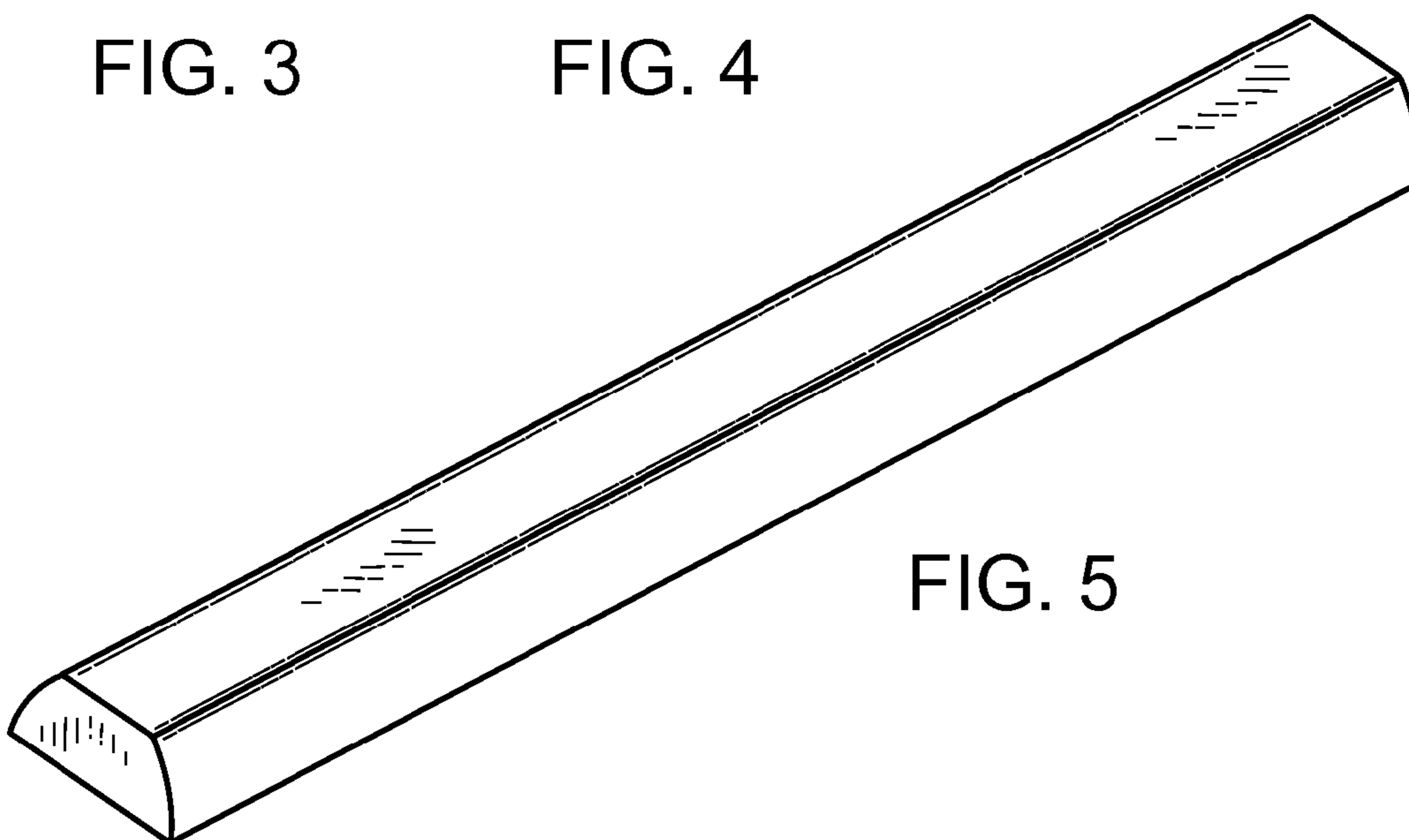


FIG. 5