



US00D578825S

(12) **United States Design Patent**
Bogani

(10) **Patent No.:** **US D578,825 S**
(45) **Date of Patent:** **** Oct. 21, 2008**

(54) **POT HANDLE**

(75) Inventor: **Giuseppe Bogani**, Rovellasca CO (IT)

(73) Assignee: **Campana S.r.l.**, Milan MI (IT)

(**) Term: **14 Years**

(21) Appl. No.: **29/300,016**

(22) Filed: **Feb. 8, 2008**

(30) **Foreign Application Priority Data**

Aug. 8, 2007 (EM) 000772454

(51) **LOC (8) Cl.** **07-02**

(52) **U.S. Cl.** **D7/393**

(58) **Field of Classification Search** D7/354-361,
D7/393-395; D8/107, 307, 300; D4/138,
D4/129; 16/430, 431, 110.1, 407; 220/573.1-573.5,
220/752, 753, 755, 756, 759, 771, 912
See application file for complete search history.

(56) **References Cited**

U.S. PATENT DOCUMENTS

D498,117 S * 11/2004 Lorthoir D7/395

D503,071 S * 3/2005 Lu D7/395

D525,081 S * 7/2006 Munari D7/395
D527,580 S * 9/2006 Munari D7/395
D561,525 S * 2/2008 Dall'Asta D7/395
D562,063 S * 2/2008 Munari D7/395

* cited by examiner

Primary Examiner—Holly H. Baynham

Assistant Examiner—Cynthia M Chin

(74) *Attorney, Agent, or Firm*—Jacobson Holman PLLC

(57) **CLAIM**

I claim the ornamental design for a pot handle, as shown and described.

DESCRIPTION

FIG. 1 is a front perspective view of a pot handle according to my design;

FIG. 2 is a front elevational view of FIG. 1;

FIG. 3 is a rear elevational view of FIG. 1;

FIG. 4 is a top plan view of FIG. 1;

FIG. 5 is a bottom plan view of FIG. 1;

FIG. 6 is a right side elevational view of FIG. 1; and,

FIG. 7 is a left side elevational view of FIG. 1.

1 Claim, 3 Drawing Sheets

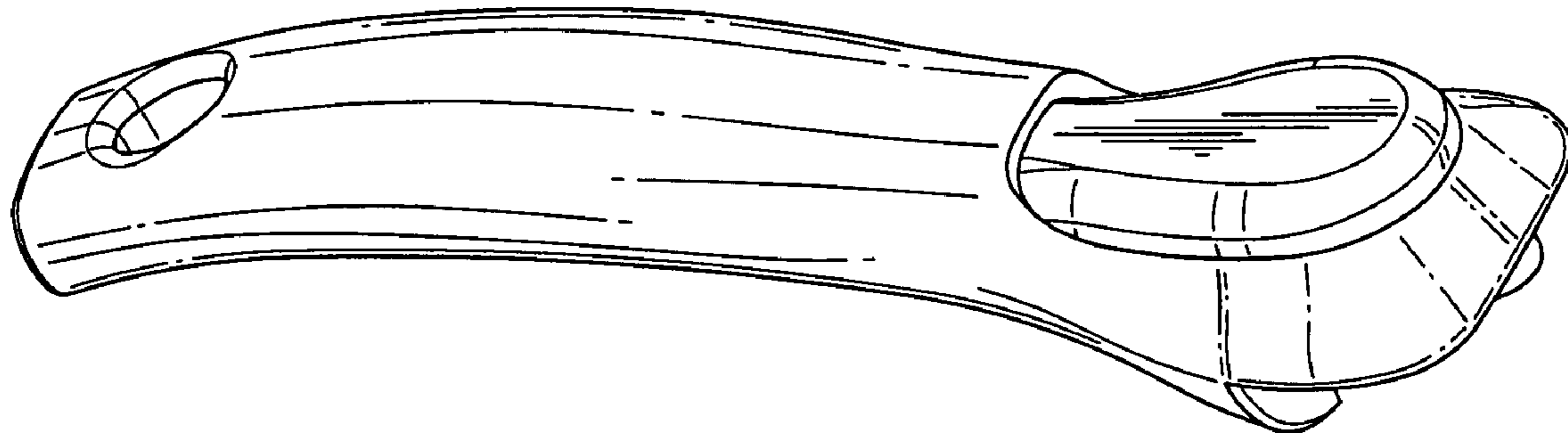




FIG. 1

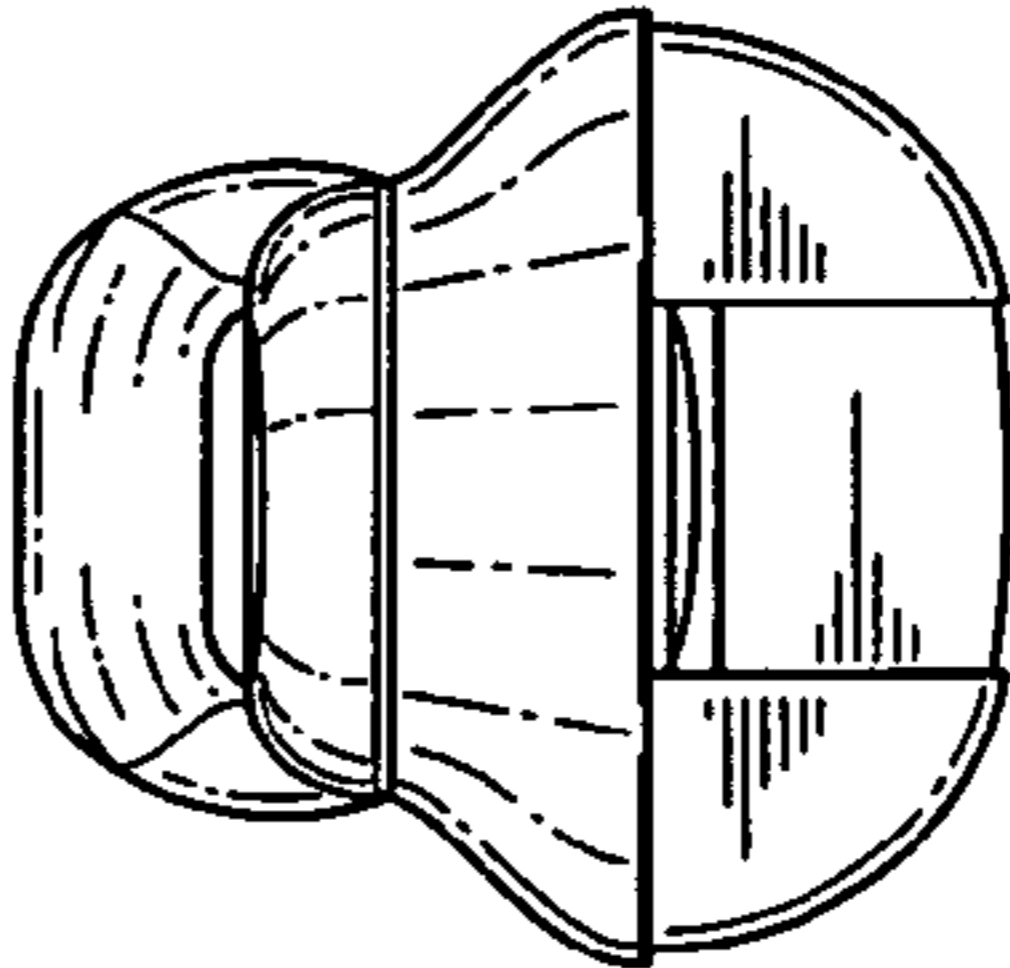


FIG. 2

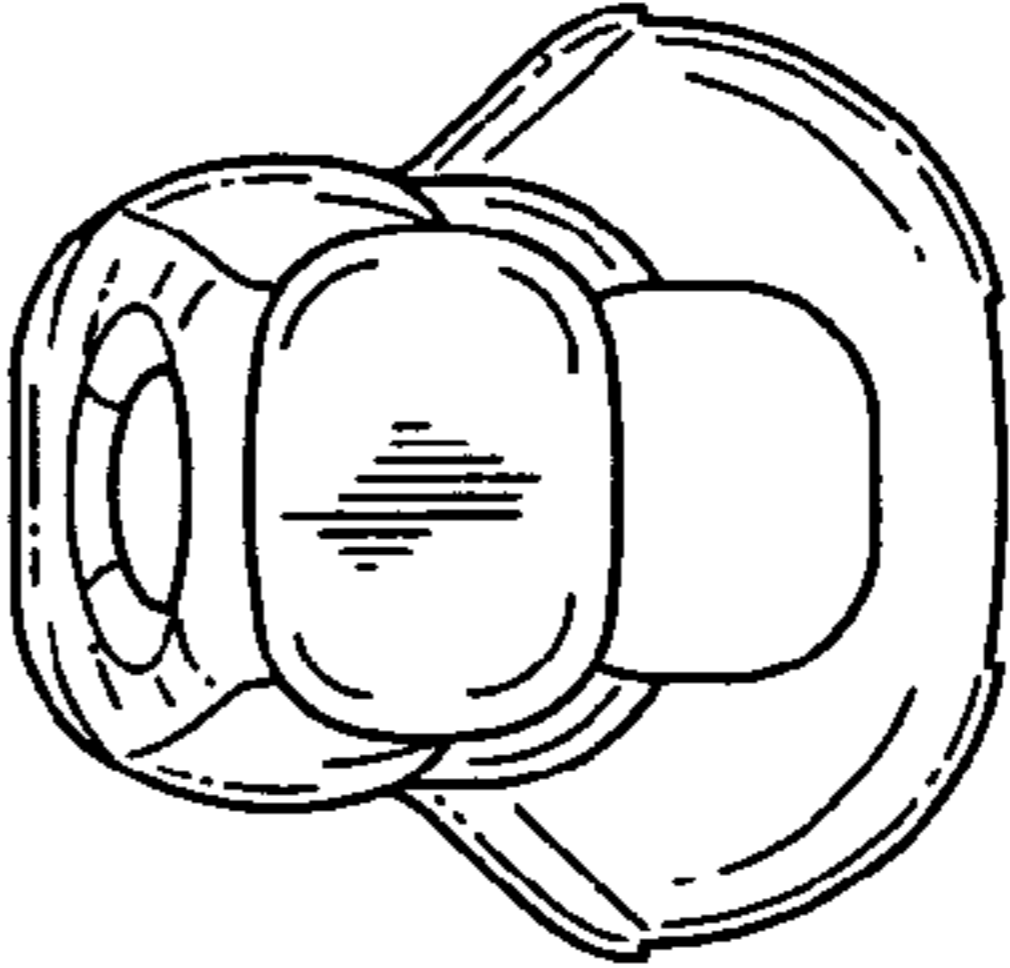


FIG. 3

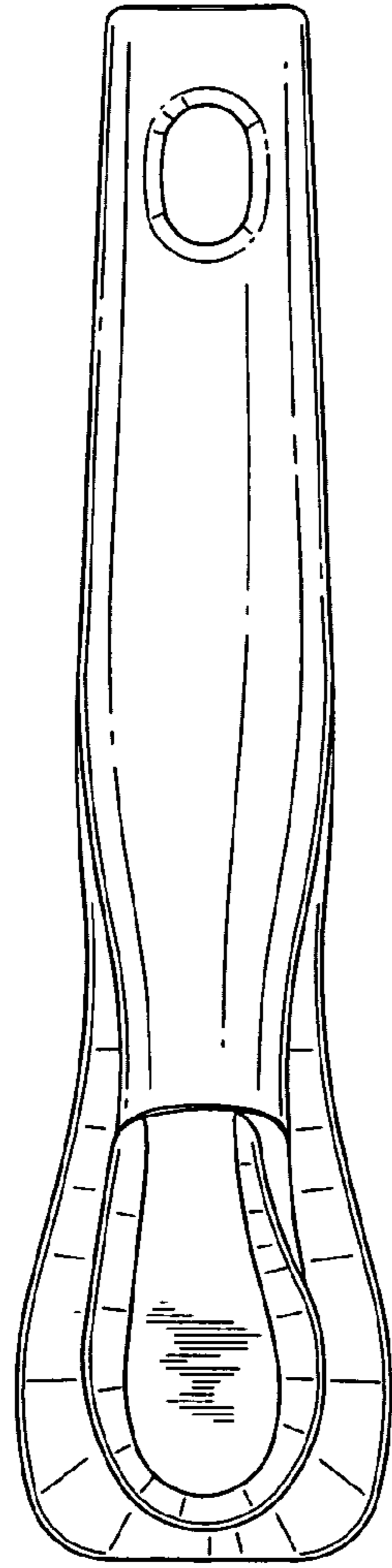


FIG. 4

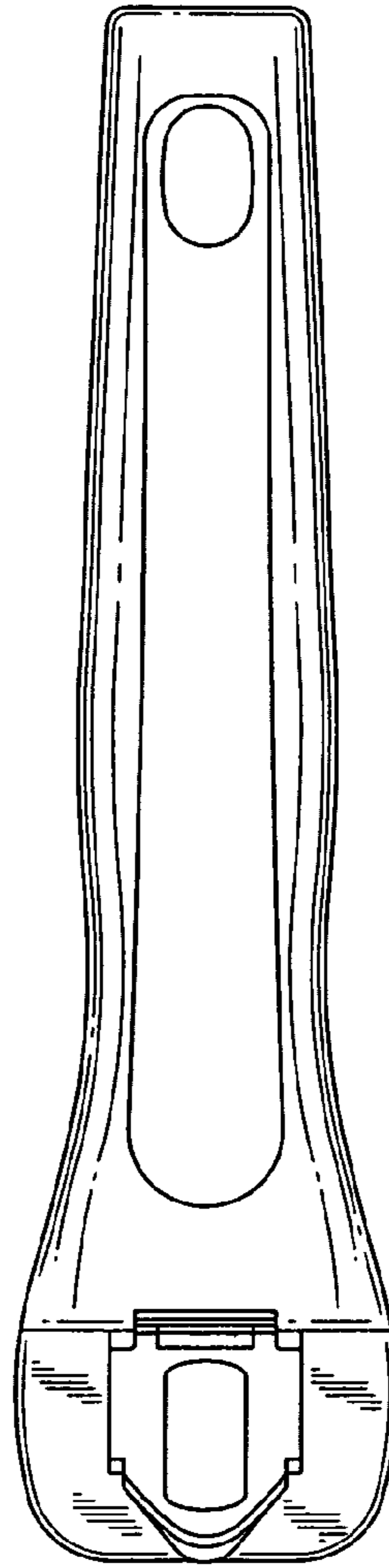


FIG. 5

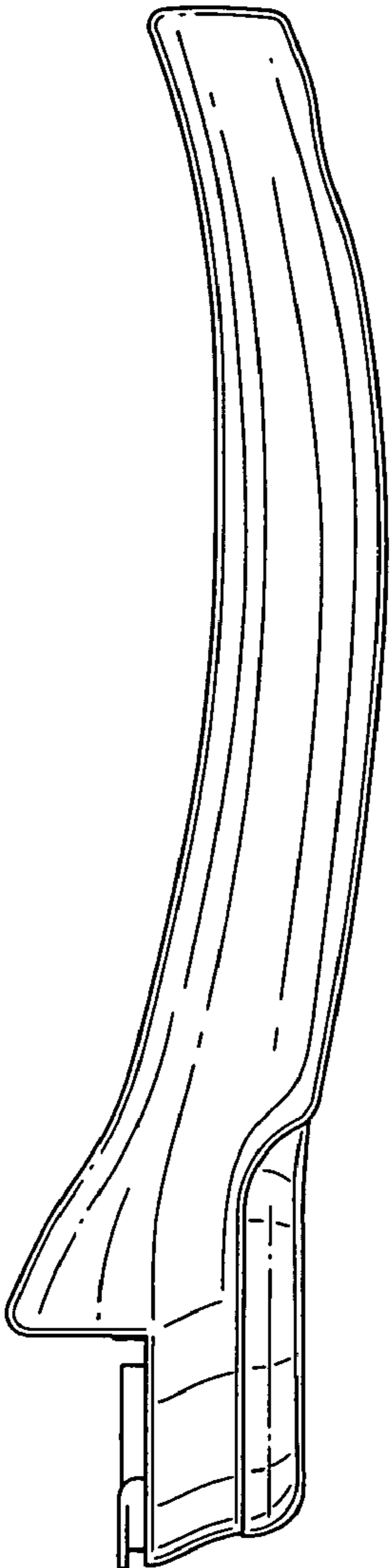


FIG. 6



FIG. 7