



US00D578821S

(12) **United States Design Patent**
Young

(10) **Patent No.:** **US D578,821 S**

(45) **Date of Patent:** **** Oct. 21, 2008**

(54) **ENGINE-SHAPED BARBEQUE**

(76) Inventor: **Michael Dean Young**, 24295 Milk Ranch Rd., Colfax, CA (US) 95713

(**) Term: **14 Years**

(21) Appl. No.: **29/284,216**

(22) Filed: **Sep. 4, 2007**

(51) **LOC (8) Cl.** **07-02**

(52) **U.S. Cl.** **D7/332**

(58) **Field of Classification Search** D7/332-338, D7/402-405; 126/25 R, 29-30, 25 A, 25 AA, 126/9 R, 9 B, 8, 38, 41 R, 40, 50, 304 R, 126/305; 99/450, 419, 444, 445; D15/1, D15/3

See application file for complete search history.

(56) **References Cited**

U.S. PATENT DOCUMENTS

D443,463 S * 6/2001 Szollosy D7/332

D534,765 S * 1/2007 Thurman et al. D7/402

* cited by examiner

Primary Examiner—Ruth McInroy

(74) *Attorney, Agent, or Firm*—QuickPatents, Inc.; Kevin Prince

(57) **CLAIM**

I claim the ornamental design for an engine-shaped barbeque, as shown and described.

DESCRIPTION

FIG. 1 is a perspective view of an engine-shaped barbeque showing my new design, with the cover in an open position;

FIG. 2 is a perspective view thereof, with the cover in a closed position;

FIG. 3 is a front elevational view with the cover in a closed position;

FIG. 4 is a rear elevational view with the cover in a closed position;

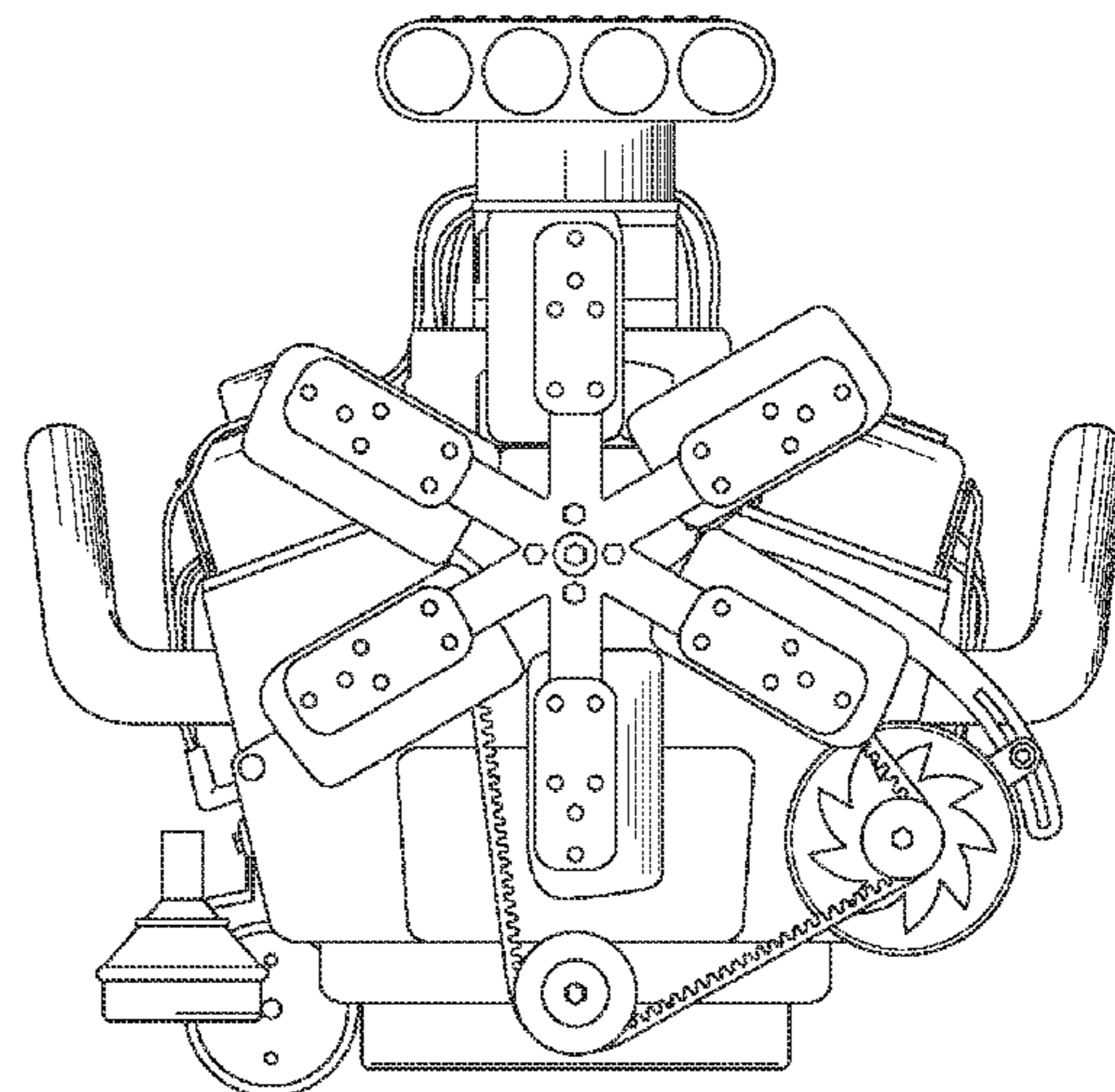
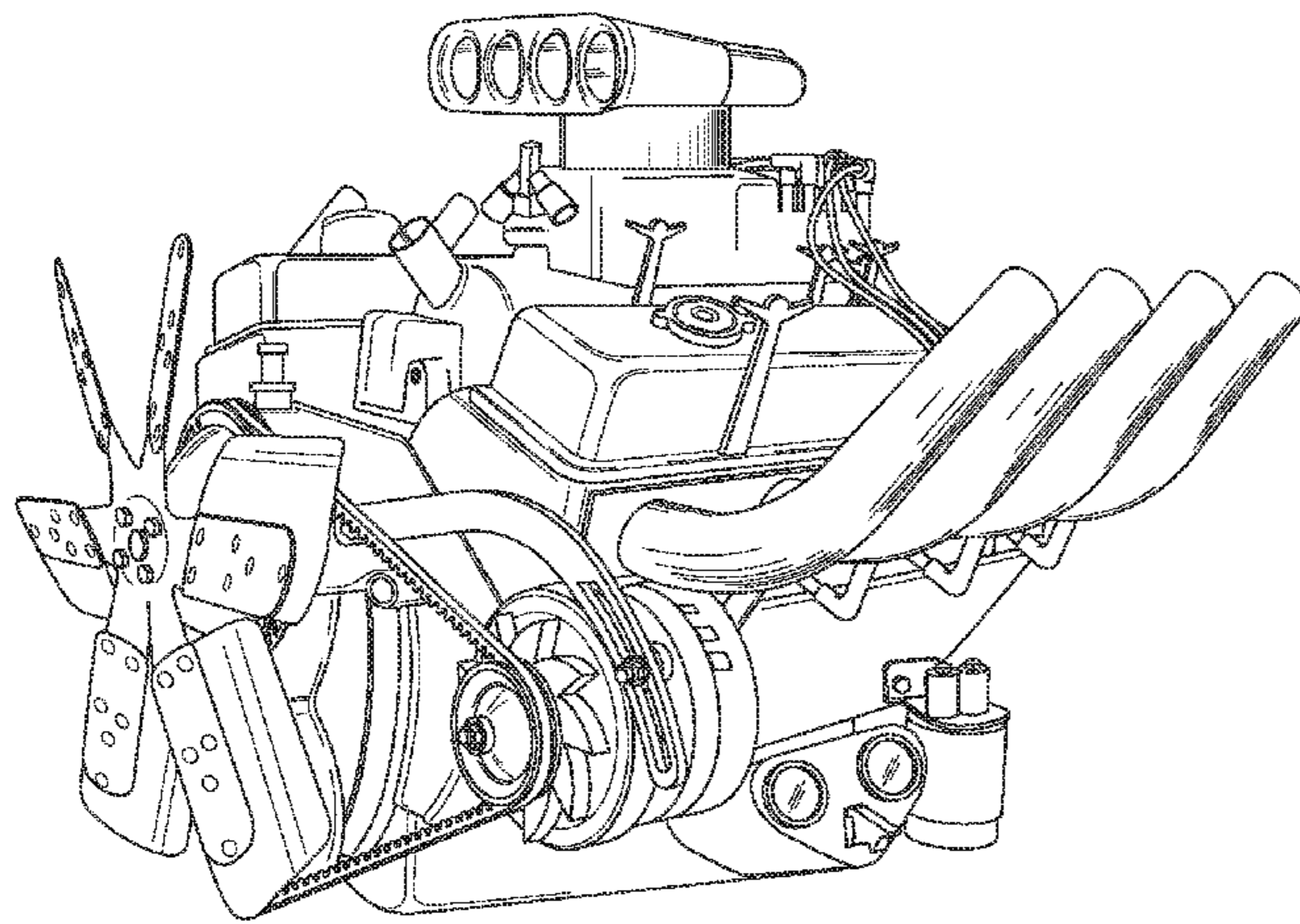
FIG. 5 is a left-side elevational view with the cover in a closed position;

FIG. 6 is a right-side elevational view with the cover in a closed position;

FIG. 7 is a top plan view with the cover in a closed position; and,

FIG. 8 is a bottom plan view with the cover in a closed position.

1 Claim, 8 Drawing Sheets



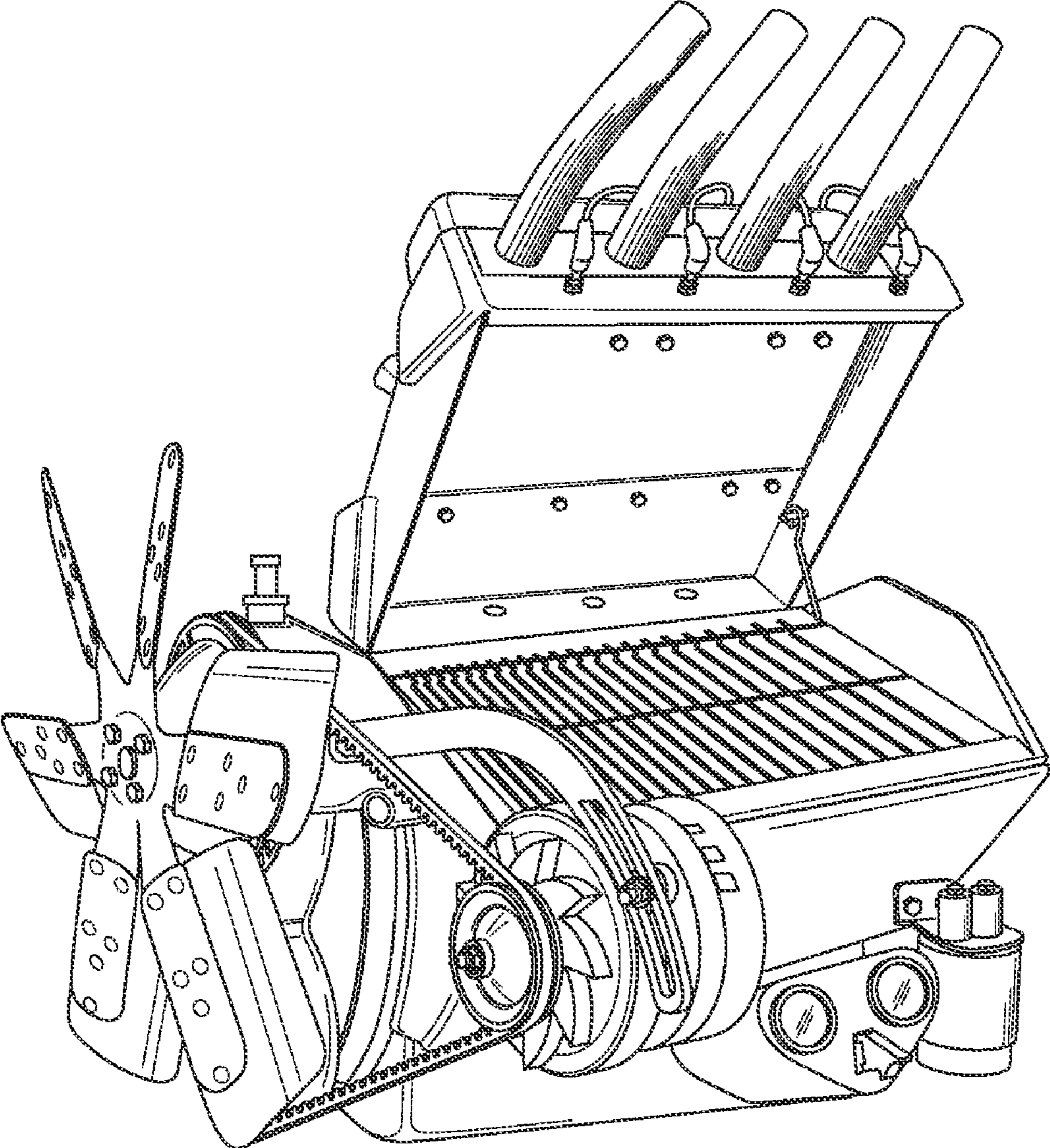


FIG. 1

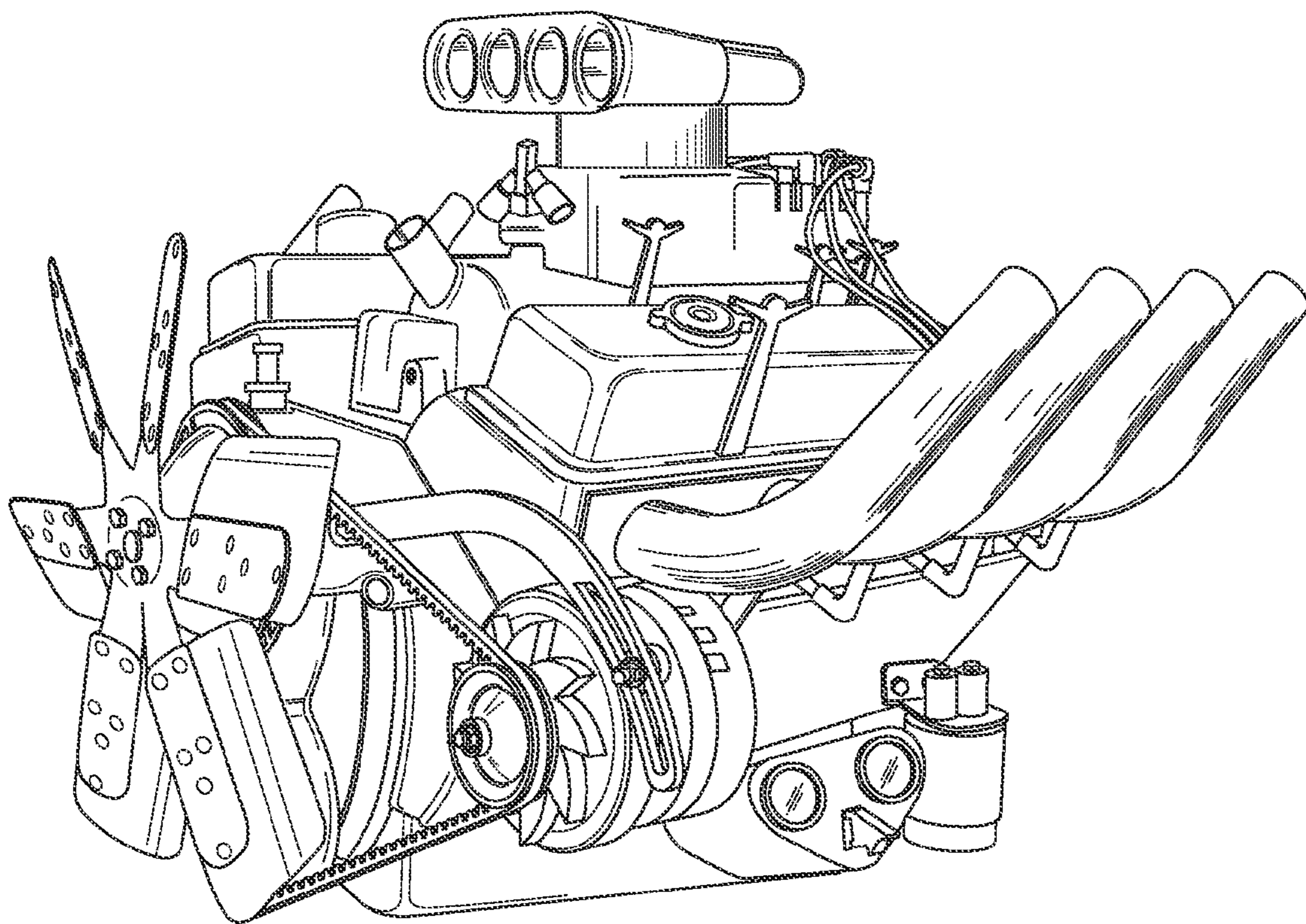


FIG. 2

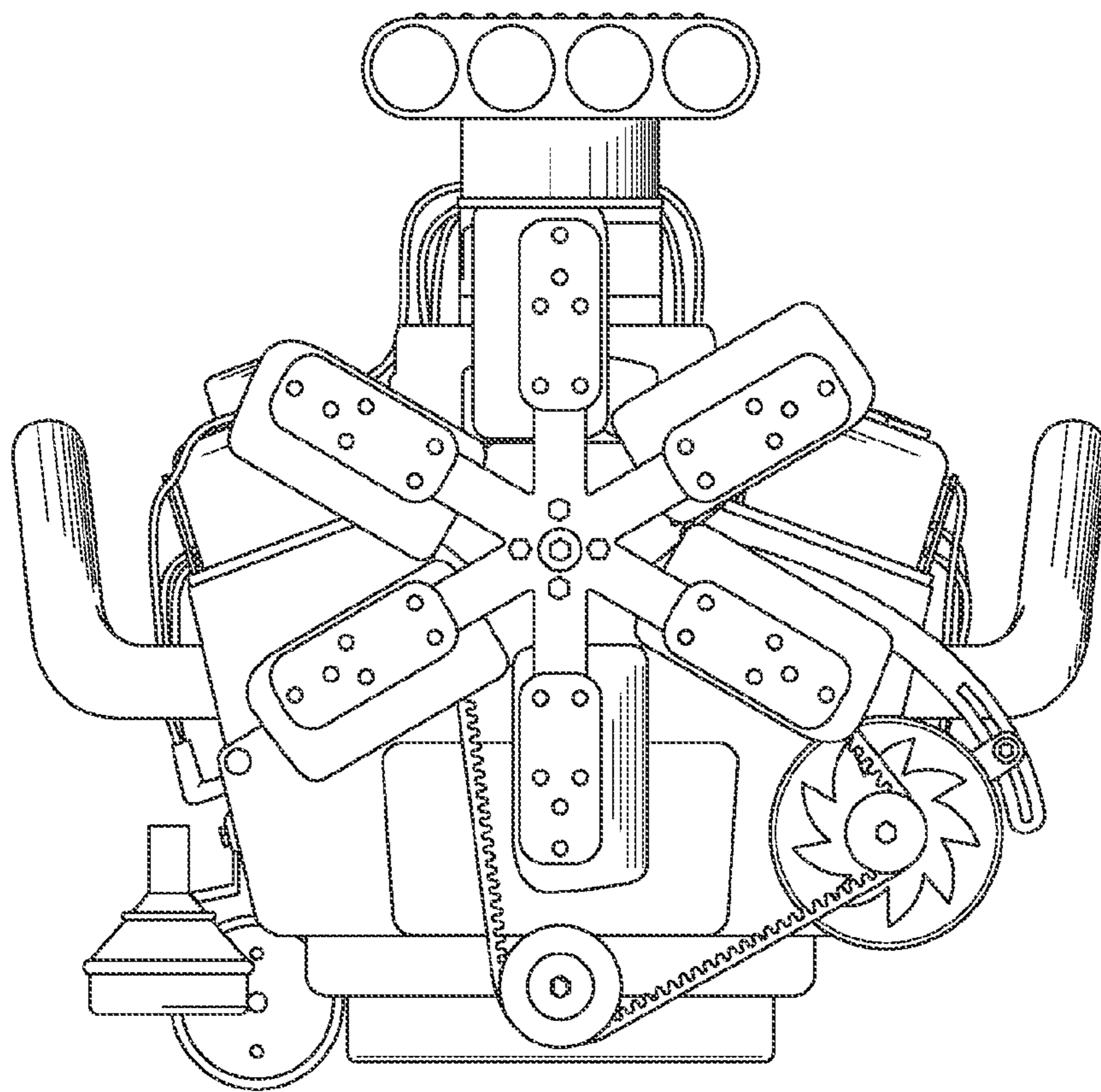


FIG. 3

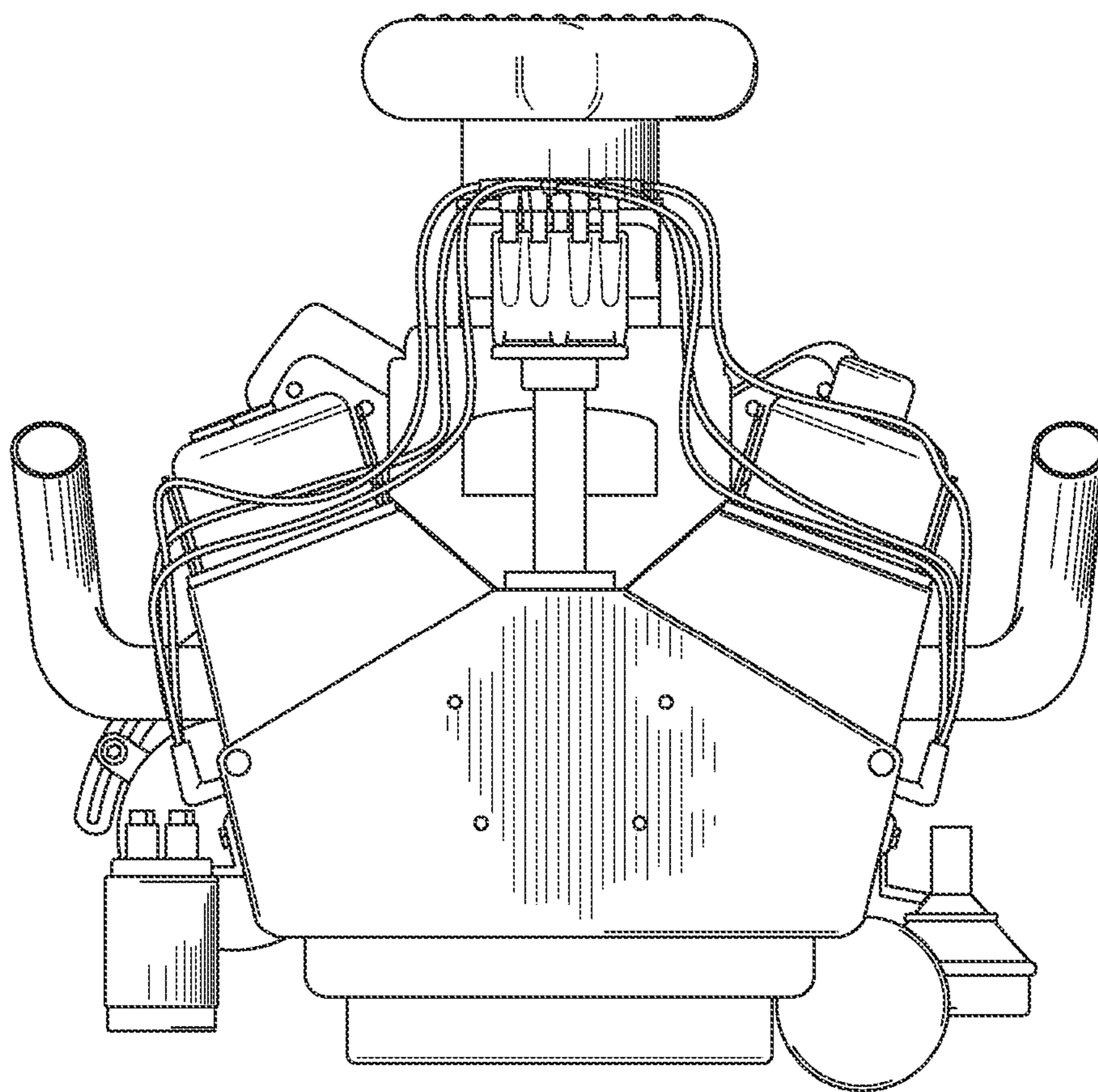


FIG. 4

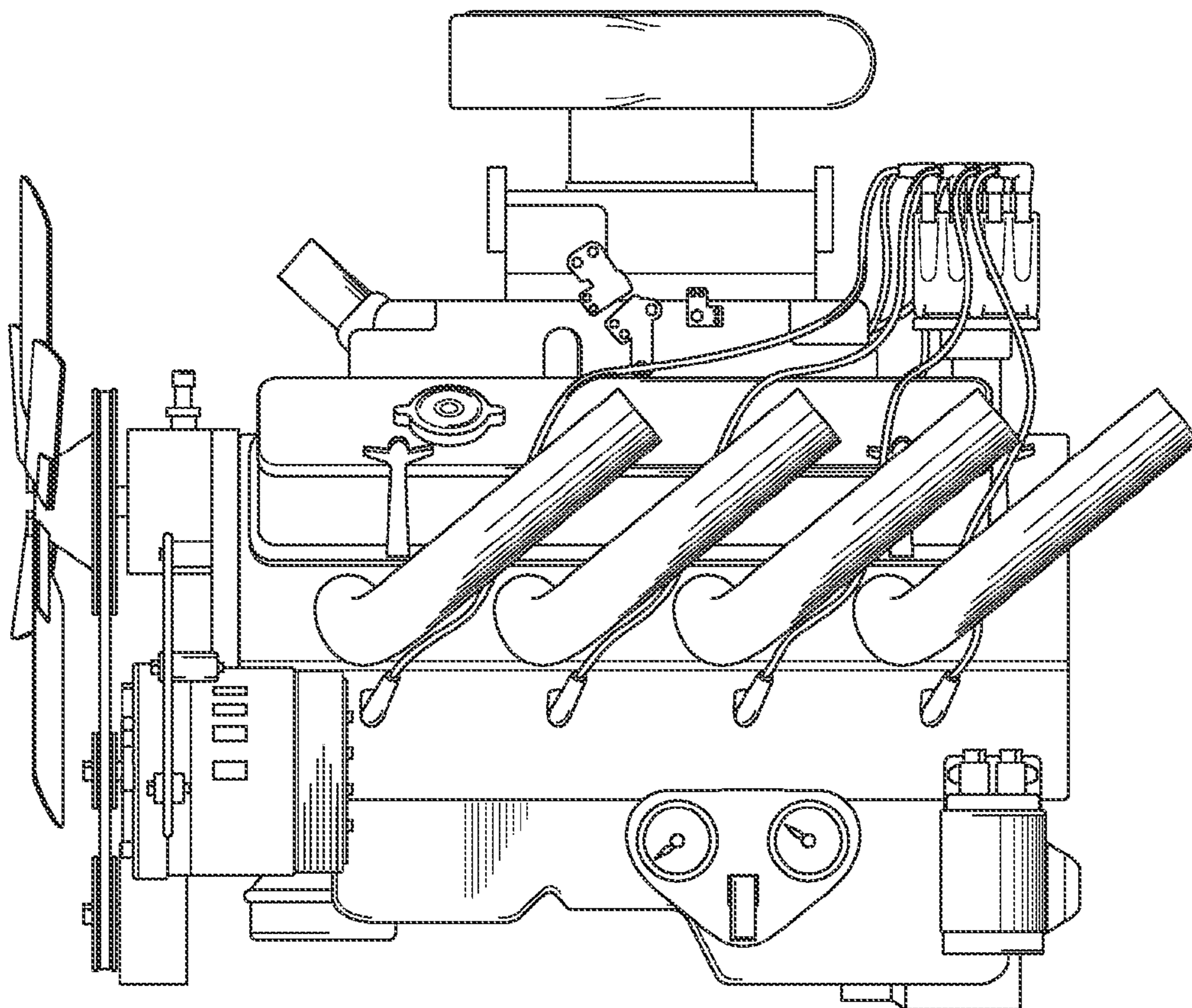


FIG. 5

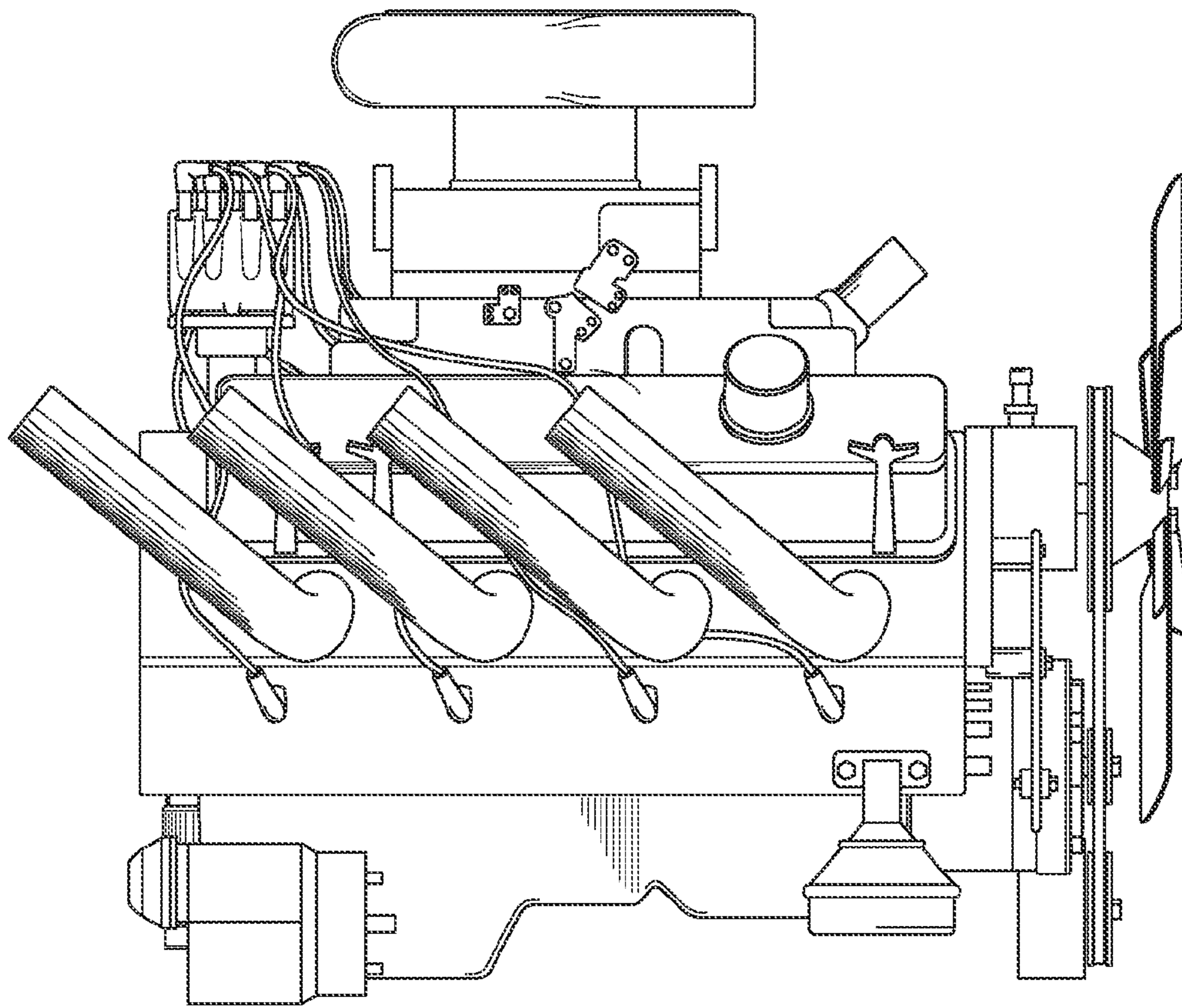


FIG. 6

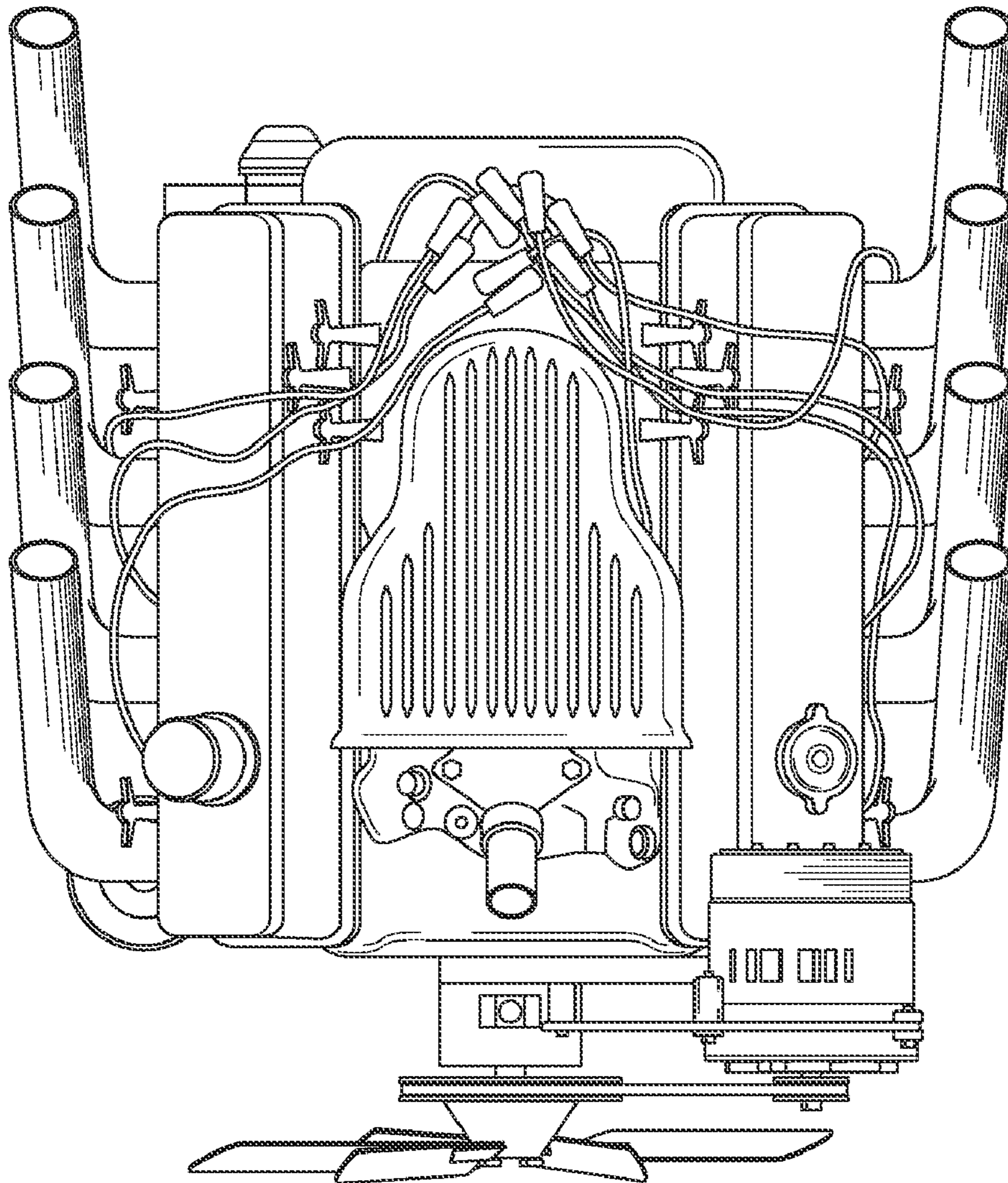


FIG. 7

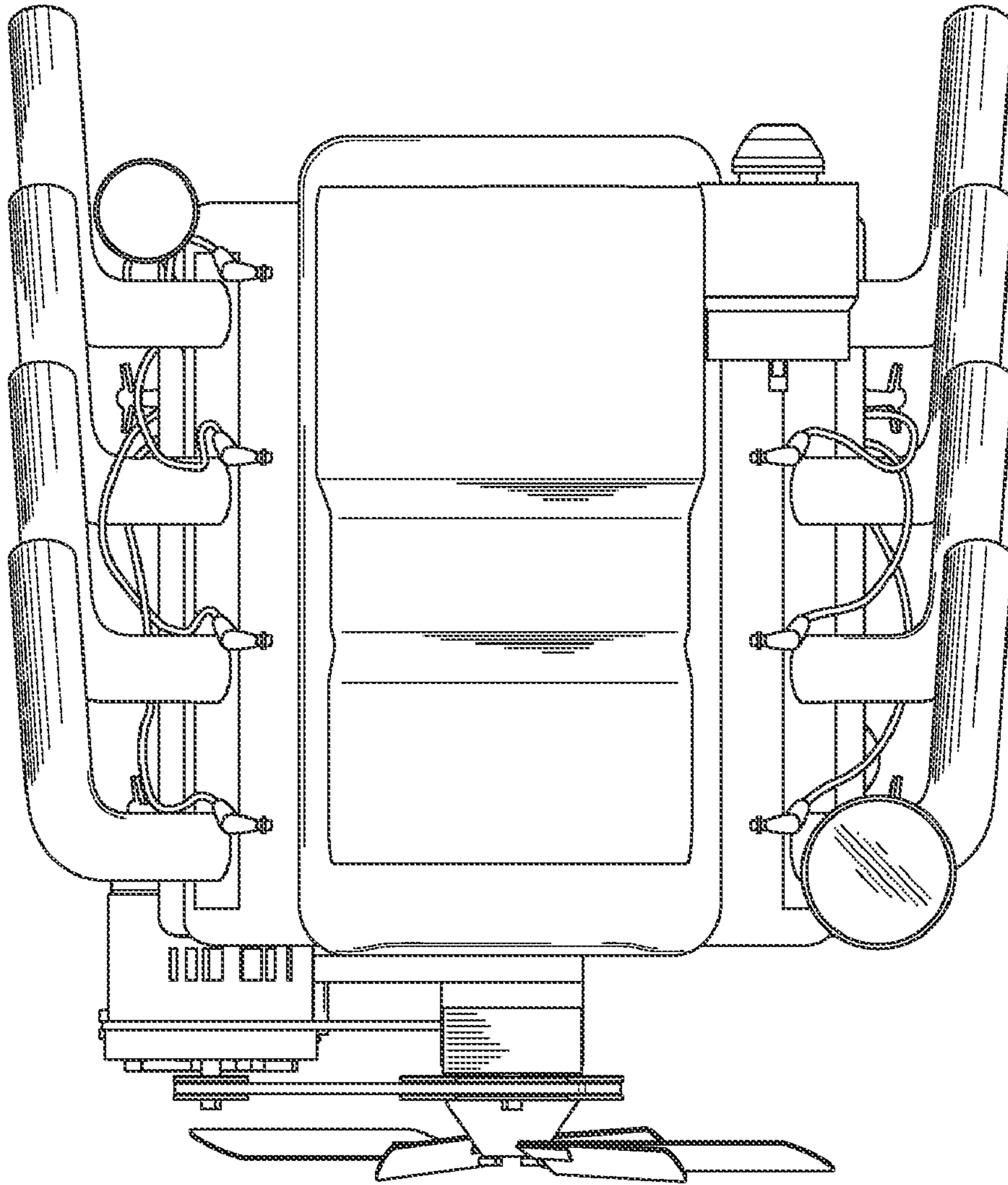


FIG. 8