



US00D578820S

(12) **United States Design Patent**
Bauer

(10) **Patent No.:** **US D578,820 S**
(45) **Date of Patent:** **** Oct. 21, 2008**

(54) **BARBEQUE GRILL**

(76) Inventor: **Brian Bauer**, 6513 Spruce Field Dr.,
O'Fallon, MO (US) 63368

(**) Term: **14 Years**

(21) Appl. No.: **29/283,272**

(22) Filed: **Aug. 9, 2007**

(51) **LOC (8) Cl.** **07-02**

(52) **U.S. Cl.** **D7/332**

(58) **Field of Classification Search** D7/332-338,
D7/402-405; 126/25 R, 29-30, 25 A, 25 AA,
126/9 R, 9 B, 8, 38, 41 R, 40, 50, 304 R,
126/305; 99/450, 419, 444, 445; D12/188.7,
D12/165, 121, 431

See application file for complete search history.

(56) **References Cited**

U.S. PATENT DOCUMENTS

D395,982 S * 7/1998 Dunn et al. D7/402
D429,944 S * 8/2000 Alle D7/332
D436,284 S * 1/2001 Mak D7/332
D442,818 S * 5/2001 Cragg D7/334

6,644,299 B1 * 11/2003 Leon 126/25 R
D485,115 S * 1/2004 Barrett D7/332
D497,076 S * 10/2004 Sutcliff et al. D7/332
D538,580 S * 3/2007 Loving D7/332
D546,115 S * 7/2007 Henry D7/332

* cited by examiner

Primary Examiner—Ruth McInroy

(74) *Attorney, Agent, or Firm*—Lewis, Rice & Fingersh, L.C.

(57) **CLAIM**

The ornamental design for a barbecue grill, as shown and described.

DESCRIPTION

FIG. 1 provides a perspective view of a barbecue grill.

FIG. 2 Provides a front view of a barbecue grill.

FIG. 3 Provides a rear view of a barbecue grill.

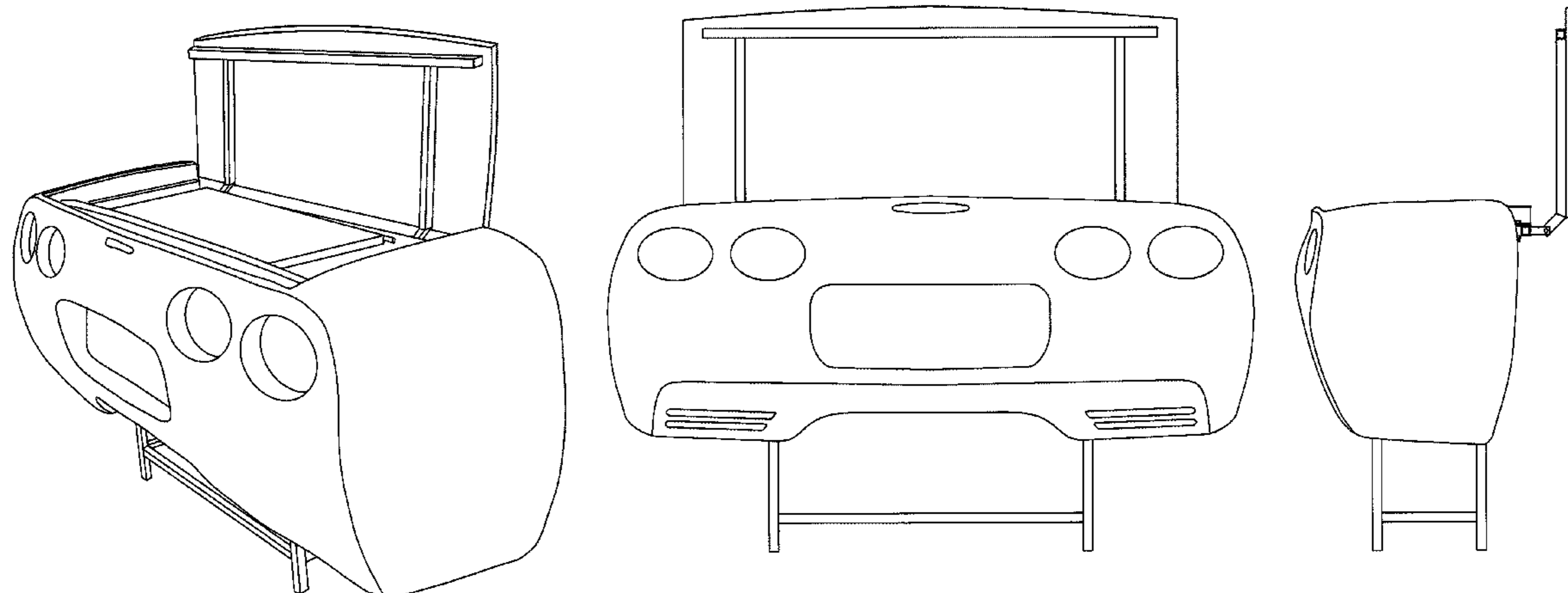
FIG. 4 Provides a right side view of a barbecue grill.

FIG. 5 Provides a left side view of a barbecue grill.

FIG. 6 provides a top view of a barbecue grill; and,

FIG. 7 Provides a bottom view of a barbecue grill.

1 Claim, 7 Drawing Sheets



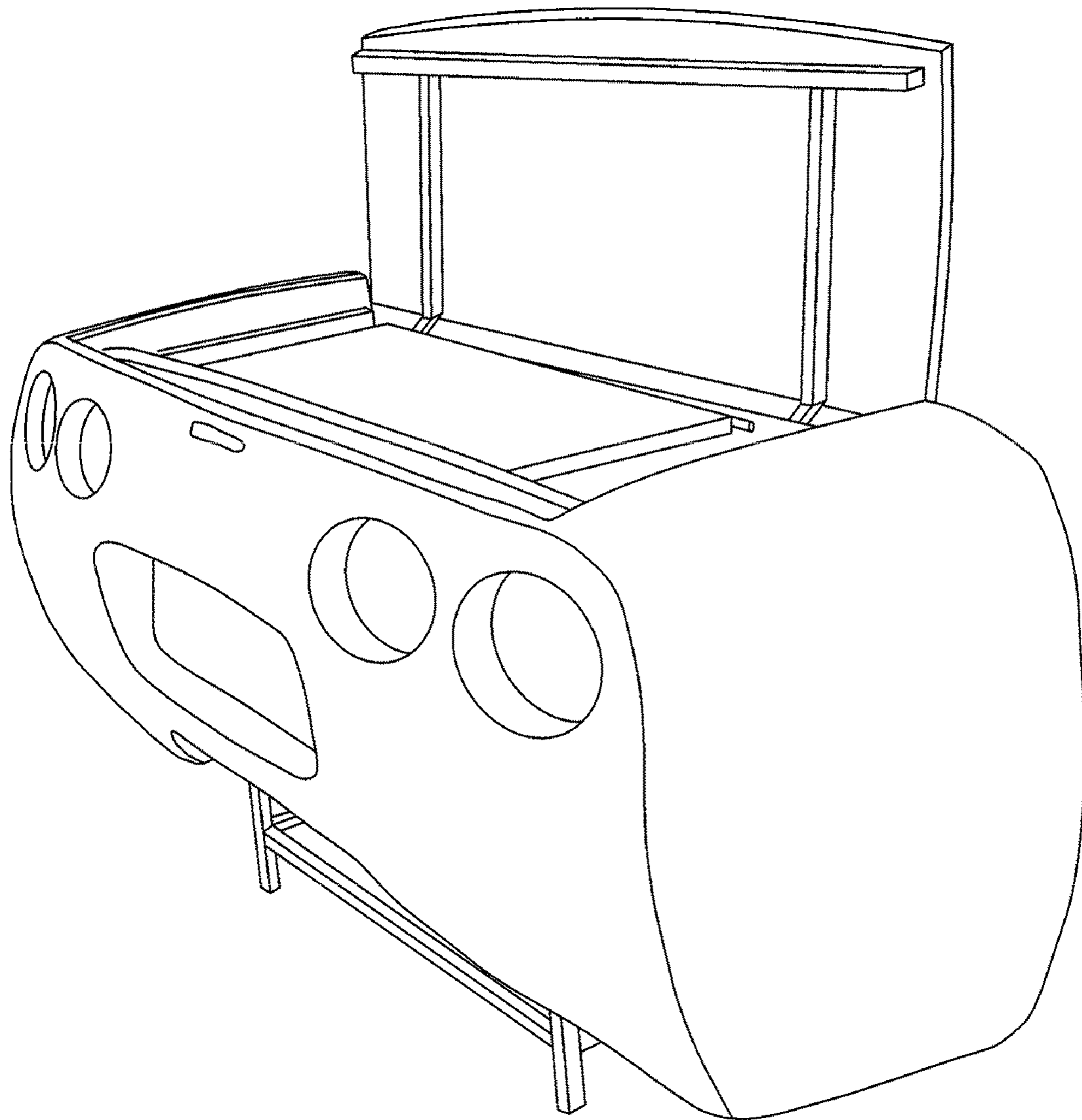


FIG. 1

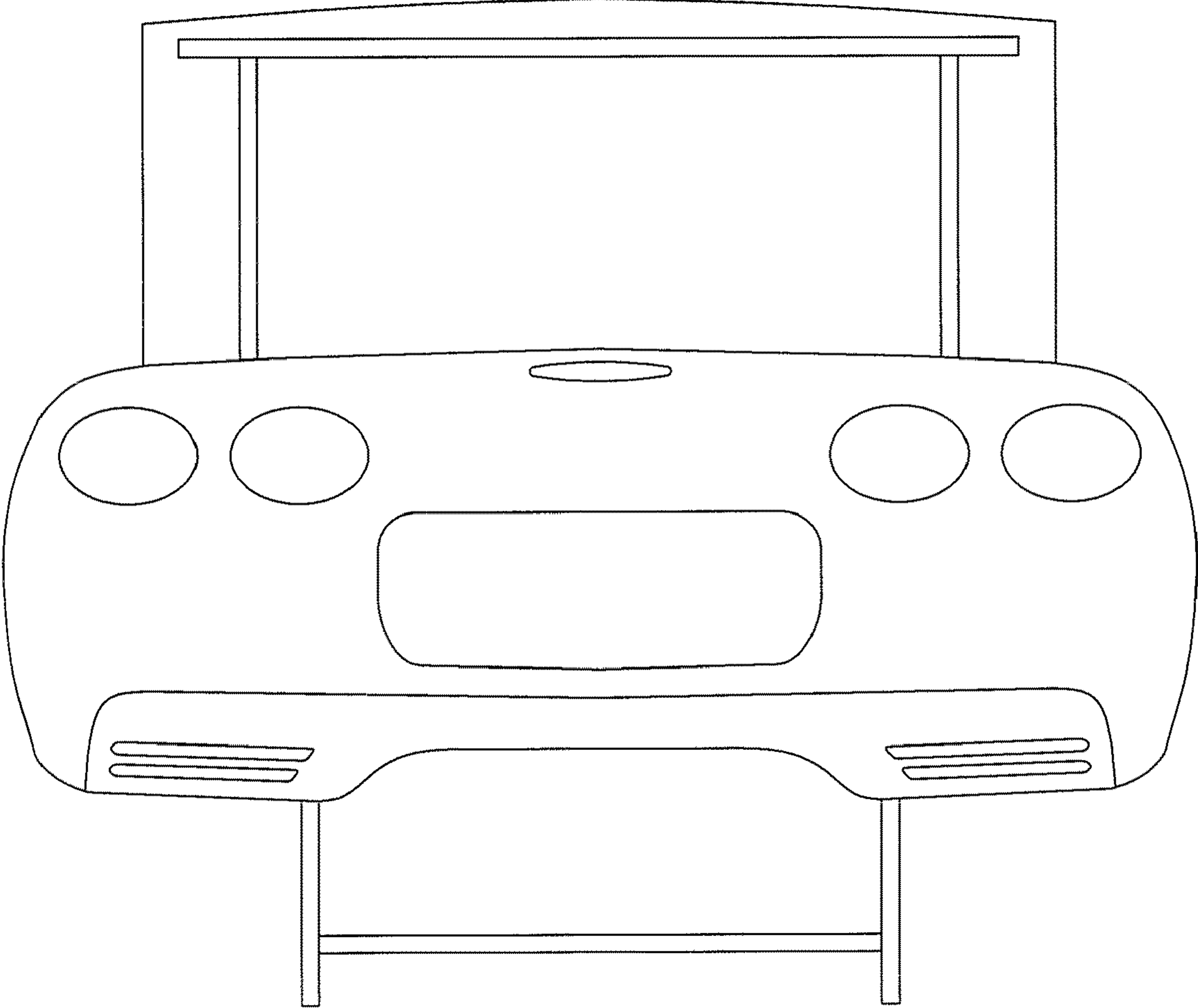


FIG. 2

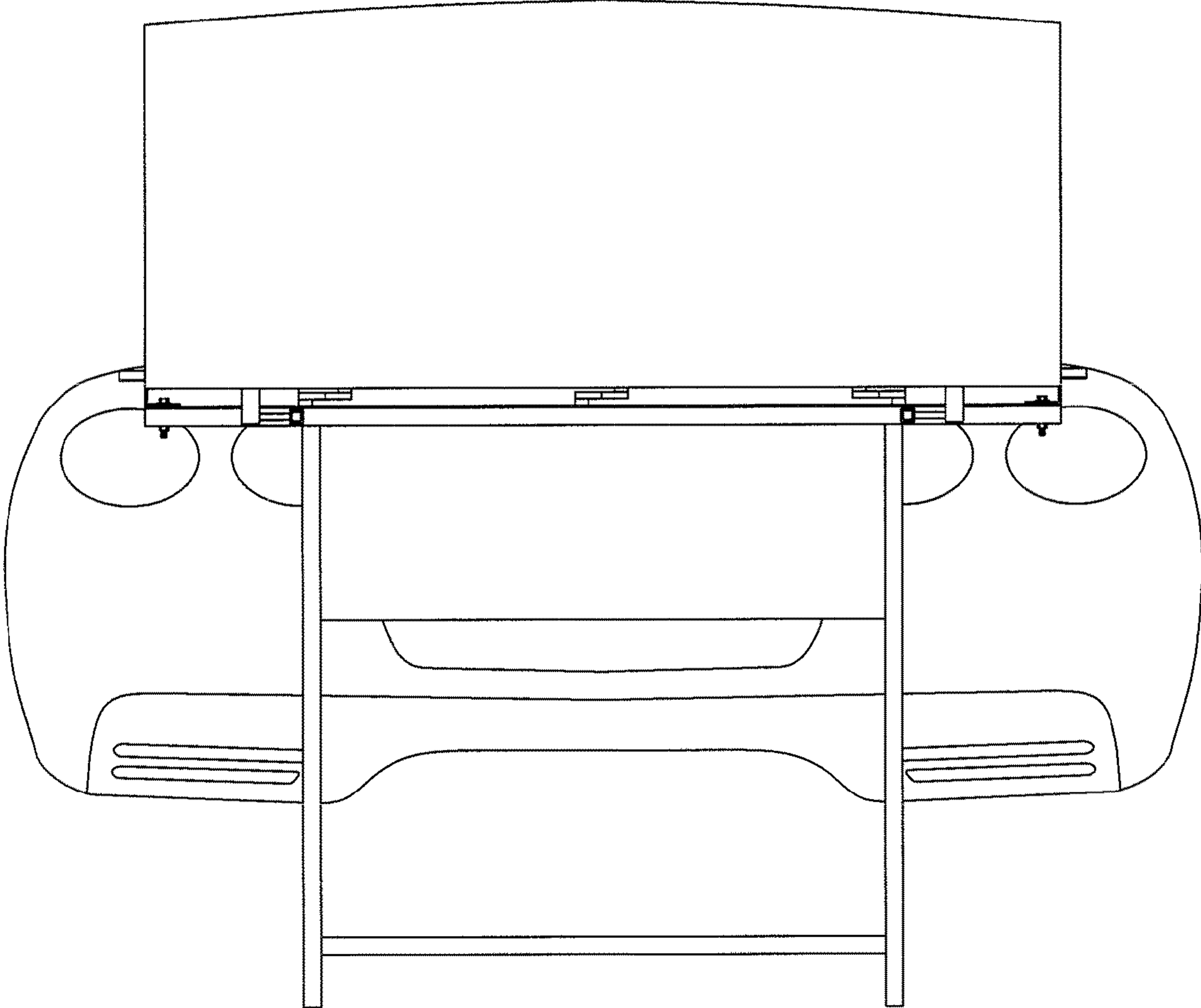


FIG. 3

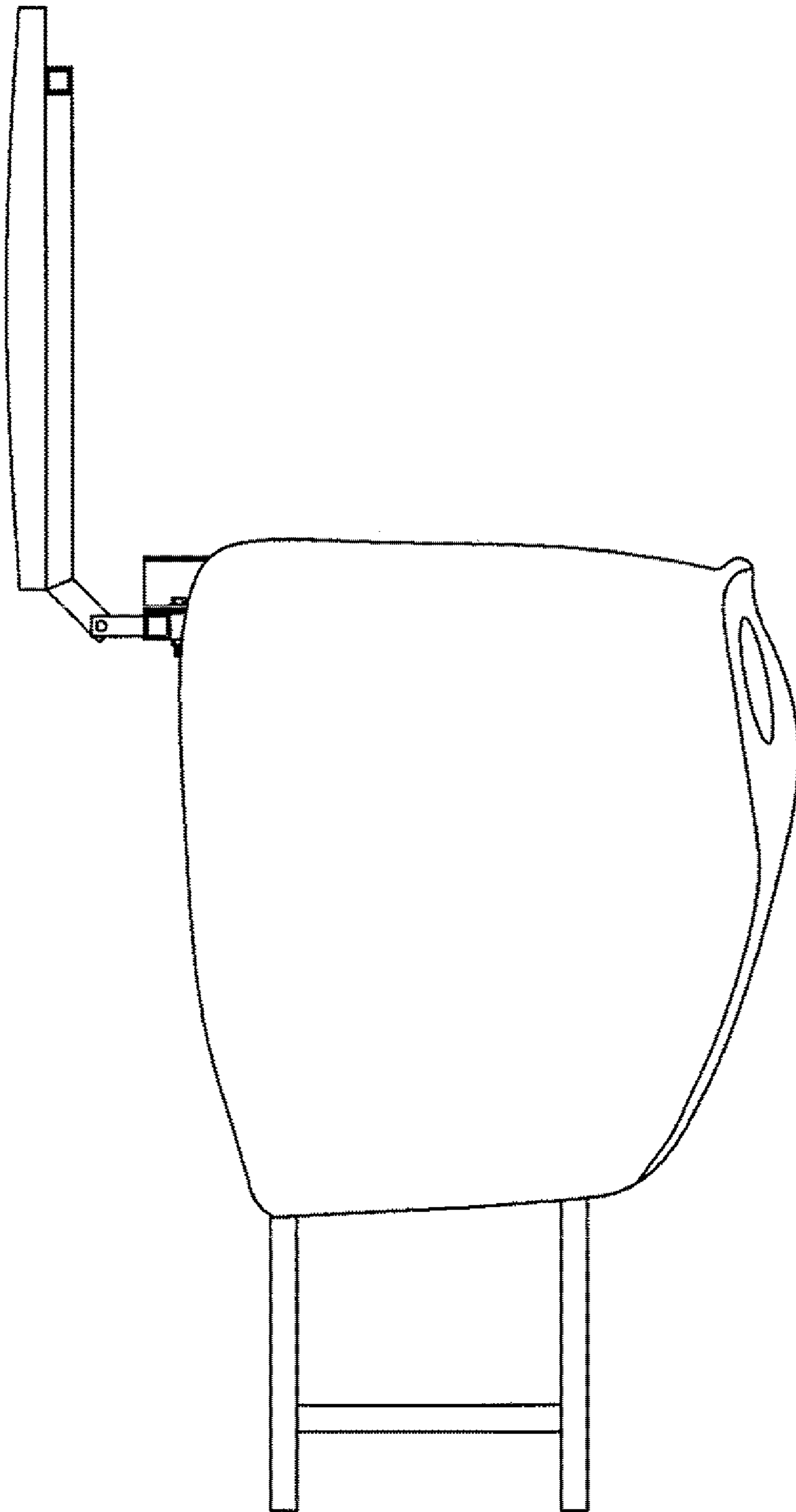


FIG. 4

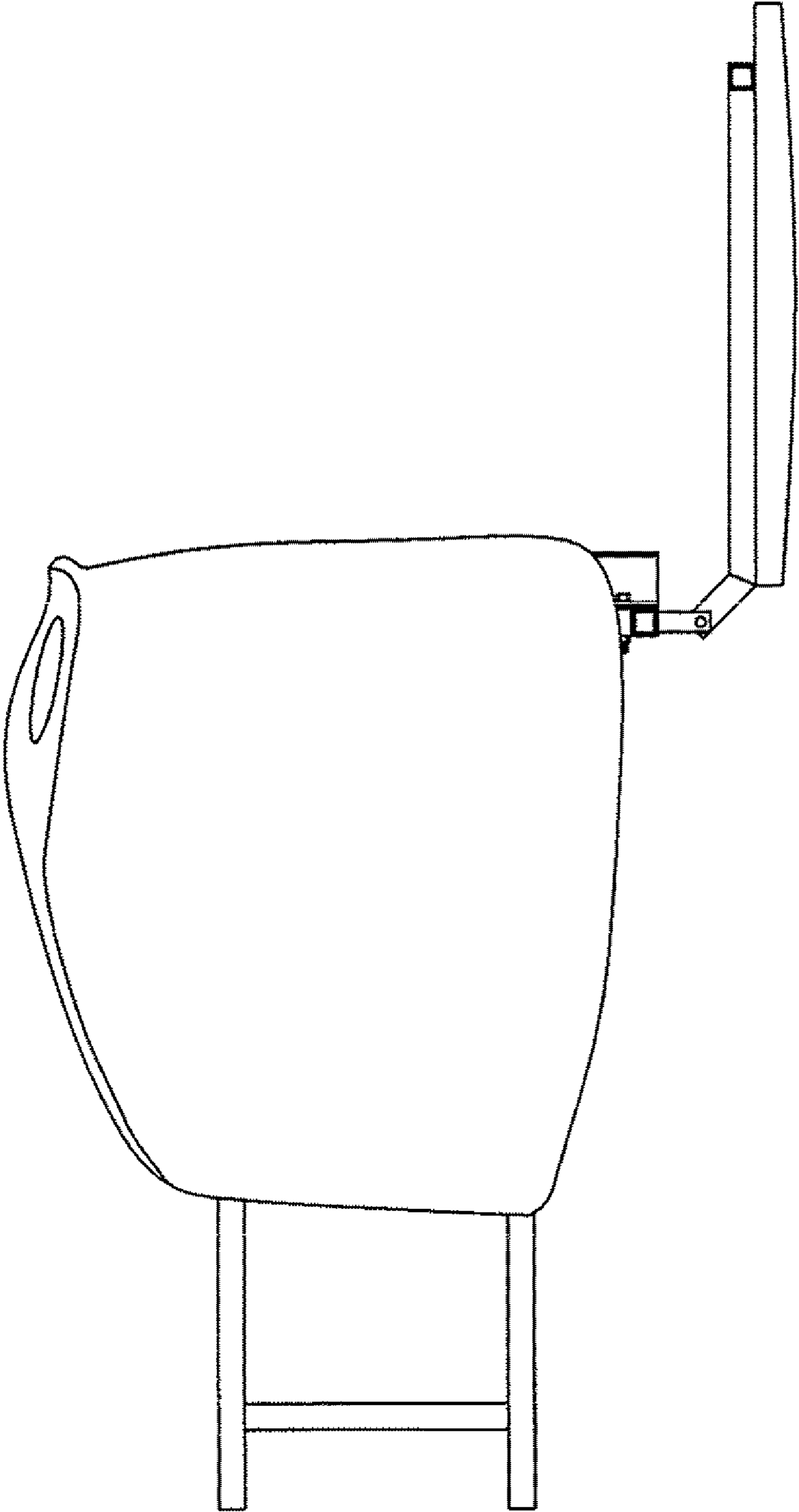


FIG. 5

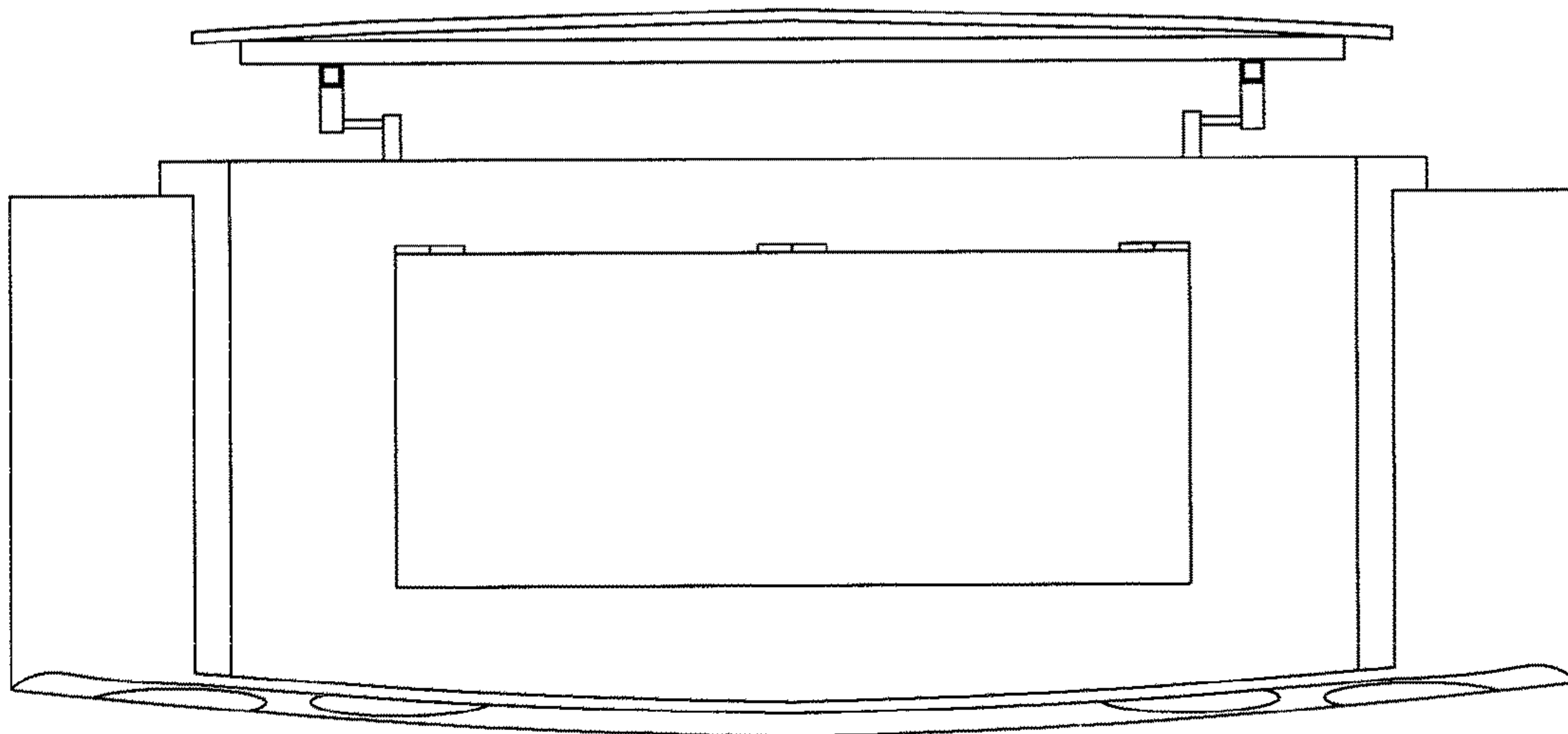


FIG. 6

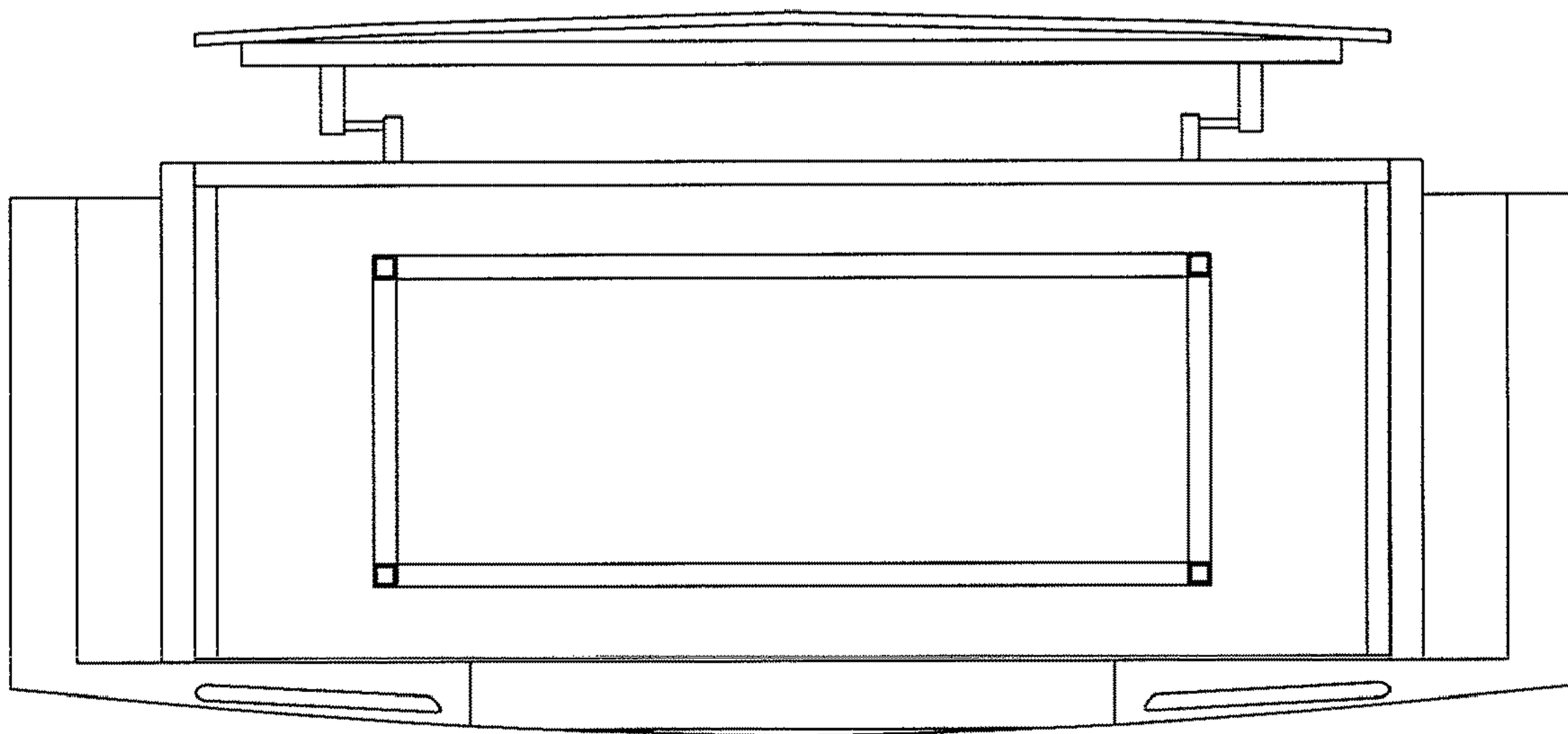


FIG. 7