



US00D578818S

(12) **United States Design Patent**
Margalit

(10) **Patent No.:** **US D578,818 S**
(45) **Date of Patent:** **** Oct. 21, 2008**

(54) **ADJUSTABLE PILLOW FOR SUPPORTING AN INFANT**

2006/0085884 A1 * 4/2006 Giacheri 2/24
2006/0179574 A1 * 8/2006 Margalit 5/655
2007/0083248 A1 * 4/2007 Tu 607/108

(76) Inventor: **Rachel Margalit**, 19162 N. 88th Way,
Scottsdale, AZ (US) 85255

* cited by examiner

(**) Term: **14 Years**

Primary Examiner—Robert M. Spear

Assistant Examiner—Mary Ann Calabrese

(21) Appl. No.: **29/277,397**

(74) *Attorney, Agent, or Firm*—Veronica-Adele R. Cao;
Weiss & Moy, P.C.

(22) Filed: **Feb. 23, 2007**

(57) **CLAIM**

Related U.S. Application Data

The ornamental design for an adjustable pillow for supporting an infant, as shown and described.

(63) Continuation of application No. 11/057,722, filed on Feb. 14, 2005, now abandoned.

DESCRIPTION

(51) **LOC (8) Cl.** **06-09**

FIG. 1 is a perspective view of an adjustable pillow for supporting an infant consistent with the present invention. The pillow is shown in use with a caregiver supporting an infant.

(52) **U.S. Cl.** **D6/601**

FIG. 2 is an enlarged side view of the adjustable pillow of FIG. 1, shown in an alternate unfolded configuration.

(58) **Field of Classification Search** D6/595–597,
D6/601, 604; 5/630, 632, 636, 644, 646,
5/652, 655, 655.3, 655.9; D2/610; 2/24,
2/59, 170; D29/120.1; 607/108; 128/892;
D24/190; 428/136.9; 84/453

See application file for complete search history.

FIG. 3 is a slightly enlarged side perspective view of the adjustable pillow of FIG. 1, shown with one end folded back upon itself; and,

(56) **References Cited**

FIG. 4 is a further enlarged fragmentary perspective view of a pocket and a loop coupled to the adjustable pillow, shown in use with a feeding accessory passed through the loop and secured to the pillow.

U.S. PATENT DOCUMENTS

3,657,741 A * 4/1972 Blanco 2/59
4,315,504 A * 2/1982 Drennan et al. 128/892
4,856,112 A * 8/1989 Effle 2/59
5,159,727 A * 11/1992 McCracken 5/655
5,239,717 A * 8/1993 Sue 5/655
5,418,980 A * 5/1995 Kelly 2/170
D431,693 S * 10/2000 Urquhart et al. D29/120.1
D442,765 S * 5/2001 Newman D2/610
6,272,688 B1 * 8/2001 Wilson 2/170
D454,198 S * 3/2002 Lamping et al. D24/190
6,381,786 B1 * 5/2002 Cadden 5/655
6,472,590 B1 * 10/2002 Kulik 84/453
2003/0044556 A1 * 3/2003 Hong et al. 428/36.9

In the drawings, the broken lines showing the caregiver and infant in FIG. 1 and the feeding accessory in FIG. 4 represent environmental structure and form no part of the claimed design. The broken lines on the pocket feature of the pillow represent stitching forming part of the claim. The raised circular features represent a type of fabric, therefore representing environmental structure and forming no part of the claimed invention.

1 Claim, 2 Drawing Sheets

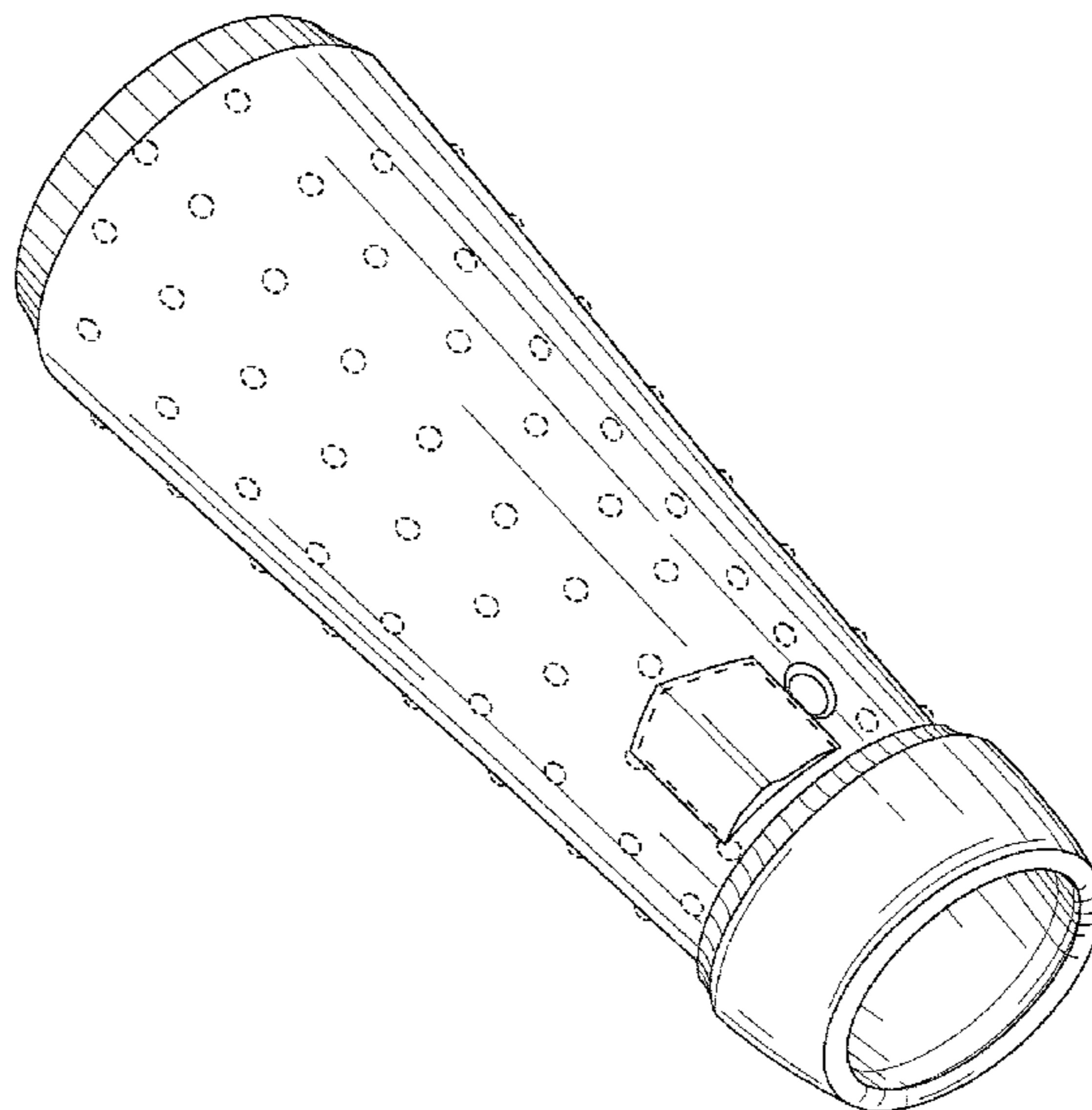


Fig. 1

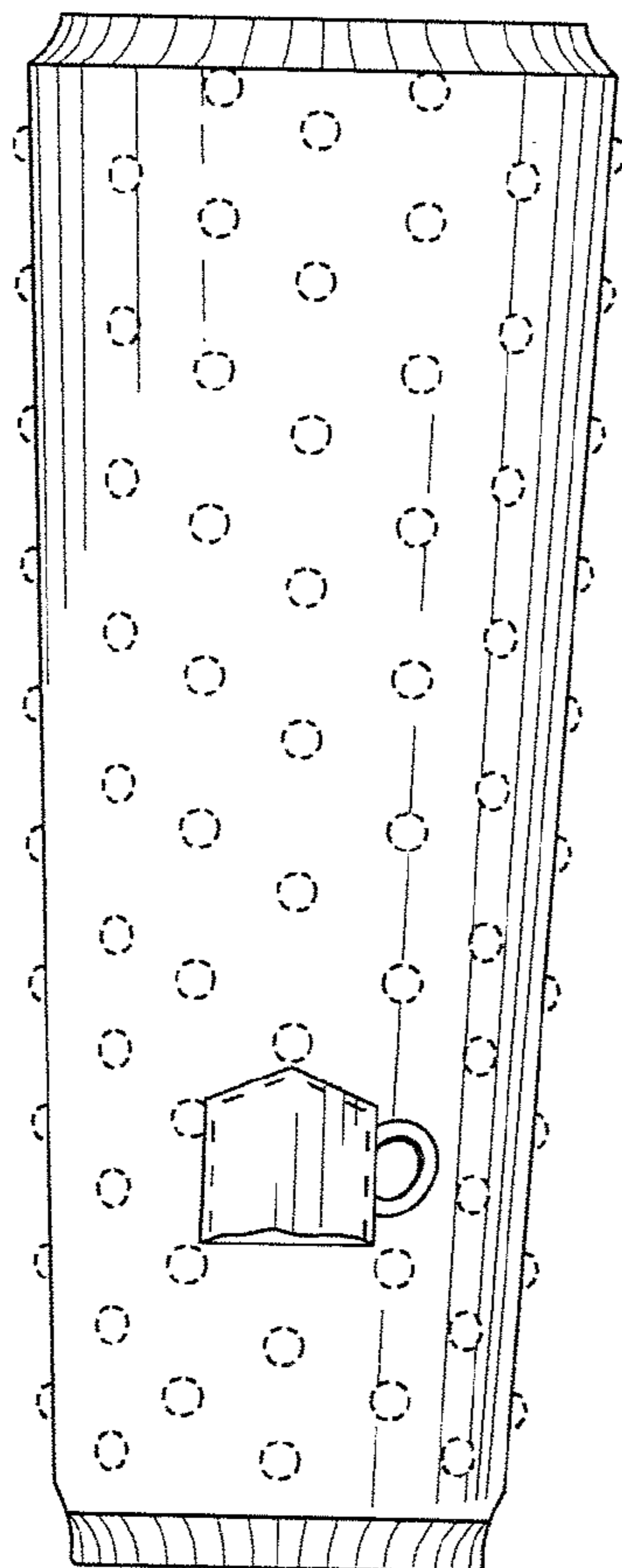
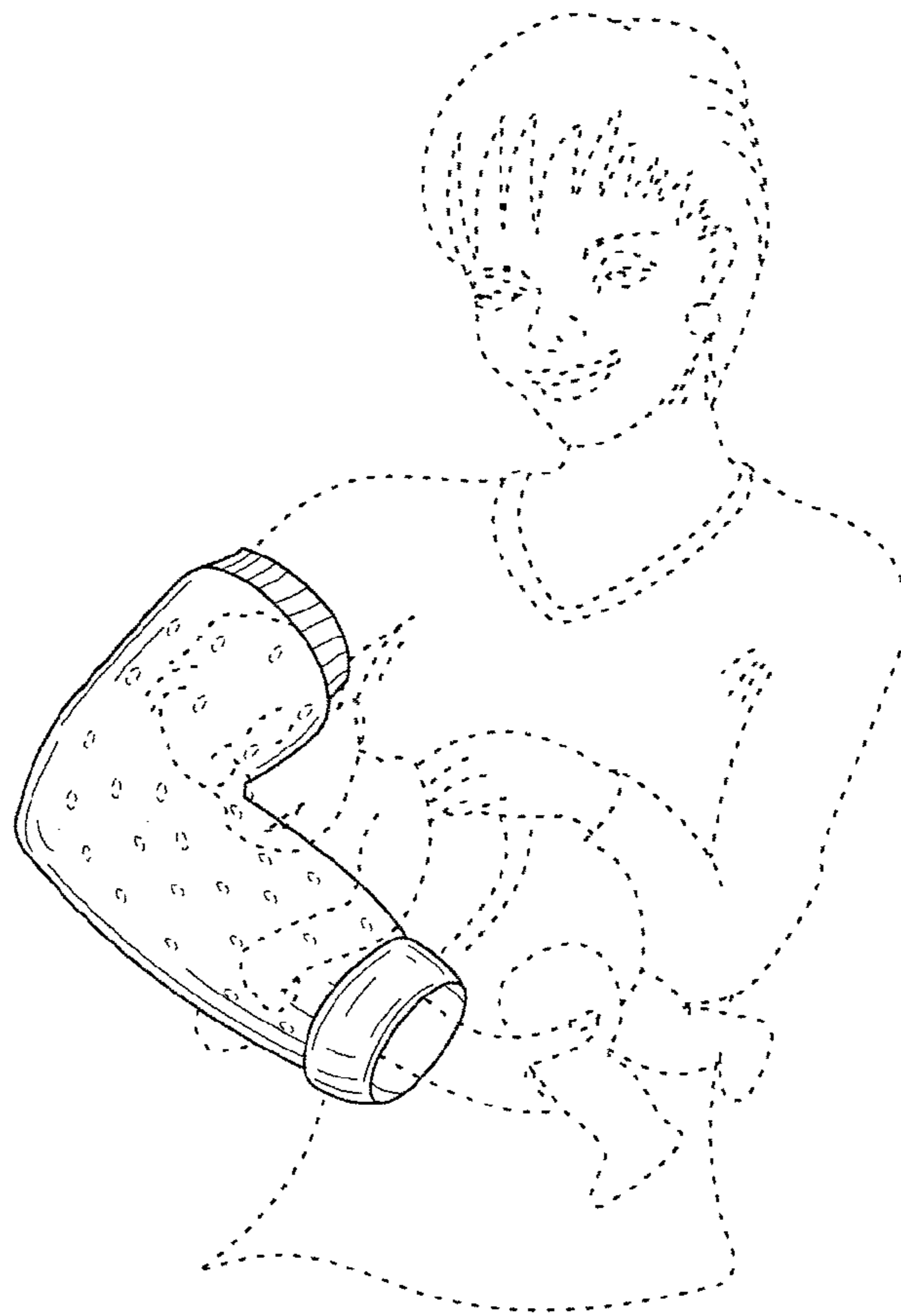


Fig. 2

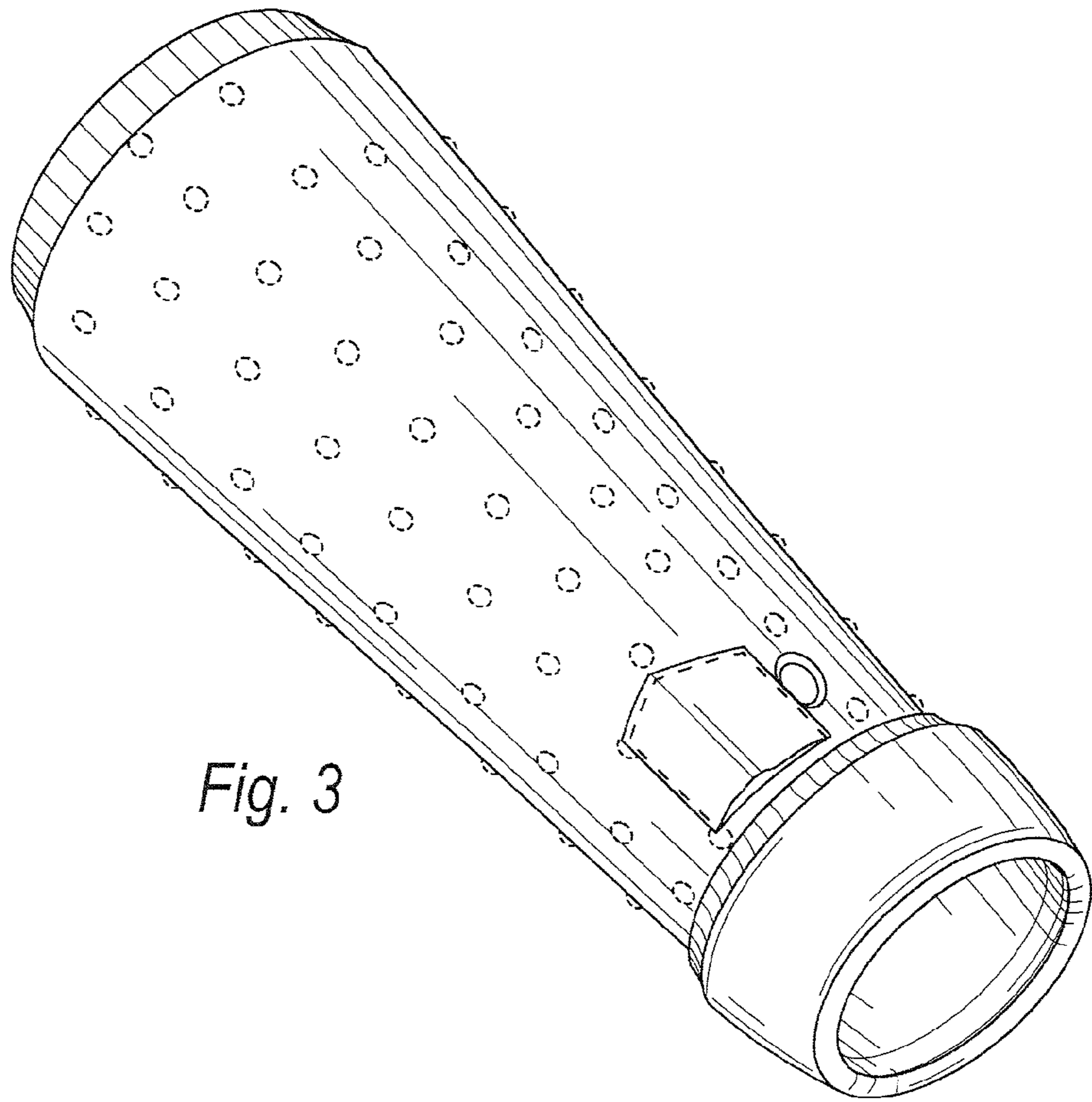


Fig. 3

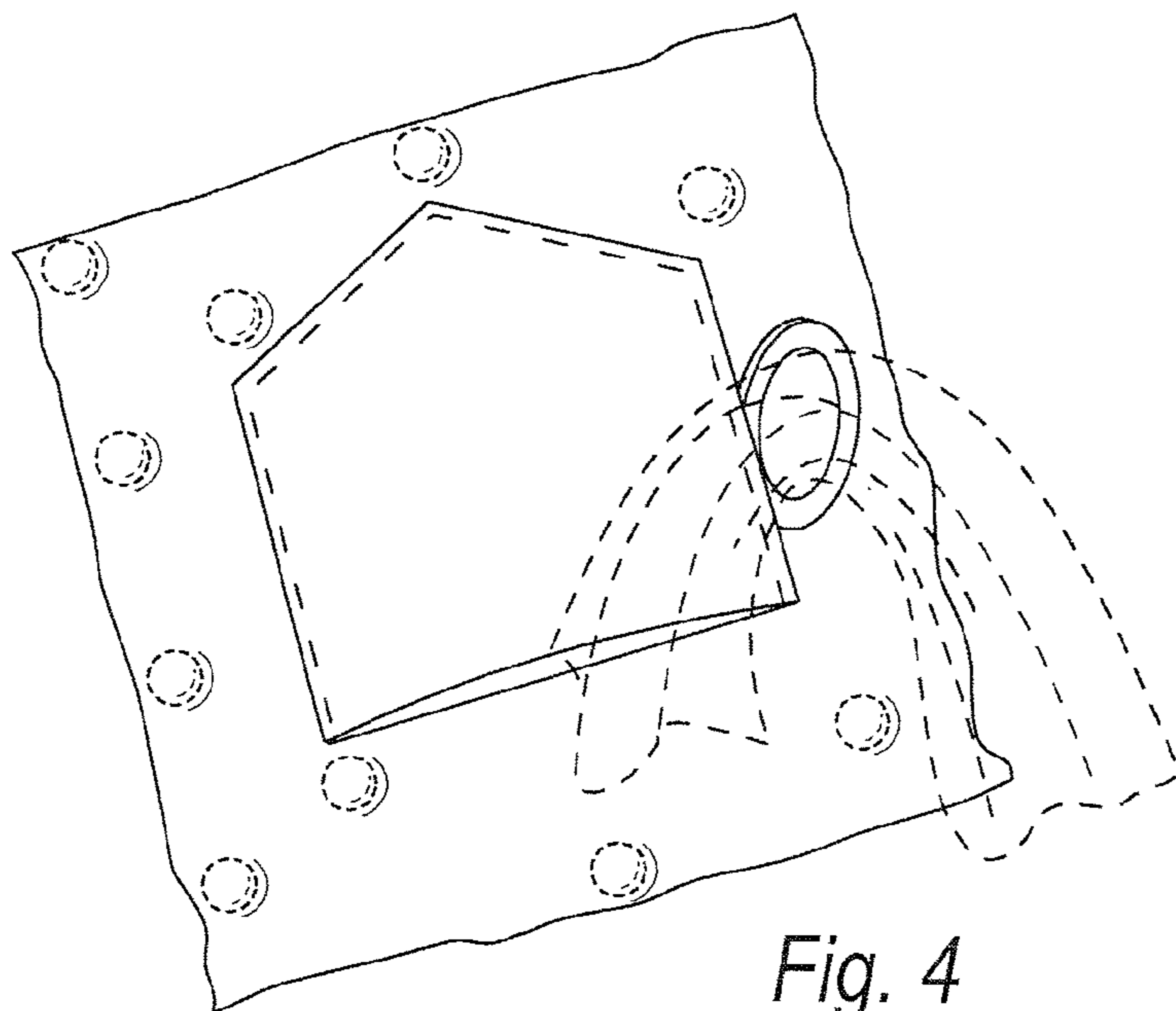


Fig. 4