



US00D578817S

(12) **United States Design Patent**
Gravel et al.

(10) **Patent No.:** **US D578,817 S**
(45) **Date of Patent:** **** Oct. 21, 2008**

(54) **FURNITURE UNIT**

(75) Inventors: **Donald P. Gravel**, Toronto (CA); **Jian Hong**, Toronto (CA); **John R. Hamilton**, Grand Rapids, MI (US); **Karl J. Mead**, East Grand Rapids, MI (US); **Karl Heinz Müller**, Rosenheim (DE)

(73) Assignee: **Steelcase Development Corporation**, Caledonia, MI (US)

(**) Term: **14 Years**

(21) Appl. No.: **29/288,101**

(22) Filed: **May 30, 2007**

(51) **LOC (8) Cl.** **06-04**

(52) **U.S. Cl.** **D6/574**

(58) **Field of Classification Search** D6/524,
D6/525, 553, 567, 574; 180/28, 29; 211/13.1,
211/42, 71.01, 81.01, 88.01, 88.03, 90.01,
211/126.1, 133.5, 133.6, 134, 182
See application file for complete search history.

(56) **References Cited**

U.S. PATENT DOCUMENTS

2,477,735 A	8/1949	Gentile
2,678,793 A	5/1954	Brochstein
2,998,107 A	8/1961	Zimmerla
3,290,846 A	12/1966	Mader et al.
3,394,507 A	7/1968	Doke
3,407,547 A	10/1968	Doke et al.
3,561,714 A	2/1971	Zurawski et al.
3,563,626 A	2/1971	Ferdinand et al.
3,603,274 A	9/1971	Ferdinand et al.
3,648,419 A	3/1972	Marks
3,714,748 A	2/1973	Costruba
3,848,364 A	11/1974	Costruba
3,925,939 A	12/1975	Costruba
4,010,697 A	3/1977	Einhorn
4,018,167 A	4/1977	Spangler
4,037,896 A	7/1977	Kennedy, Jr. et al.
4,198,913 A	4/1980	Haworth et al.

4,205,815 A	6/1980	Sauer et al.
4,269,005 A	5/1981	Timmons
4,334,483 A	6/1982	Kellogg
4,588,156 A	5/1986	Doke et al.
4,716,699 A	1/1988	Crossman et al.
4,720,069 A	1/1988	Bessinger
4,731,960 A	3/1988	Sease
4,914,873 A	4/1990	Newhouse
5,154,388 A	10/1992	Magaro
5,297,486 A	3/1994	Herrmann et al.

(Continued)

Primary Examiner—Brian N Vinson

(74) *Attorney, Agent, or Firm*—Price, Heneveld, Cooper, DeWitt & Litton, LLP

(57) **CLAIM**

The ornamental design for a furniture unit, as shown and described.

DESCRIPTION

The present application is related to commonly assigned, co-pending U.S. Utility patent application Ser. No. 60/940,913, filed on even date herewith, entitled Furniture Storage Unit and Method, as well as co-pending U.S. Utility patent application Ser. No. 60/940,879, filed on even date herewith, entitled Storage Unit Attachment Arrangement and Method, as well as co-pending U.S. Utility patent application Ser. No. 60/940,899, filed on even date herewith, entitled Storage Unit Door Apparatus and Method, as well as co-pending U.S. Utility patent application Ser. No. 60/940,891, filed on even date herewith, entitled Storage Unit Back Stop and Method, which are hereby incorporated herein by reference.

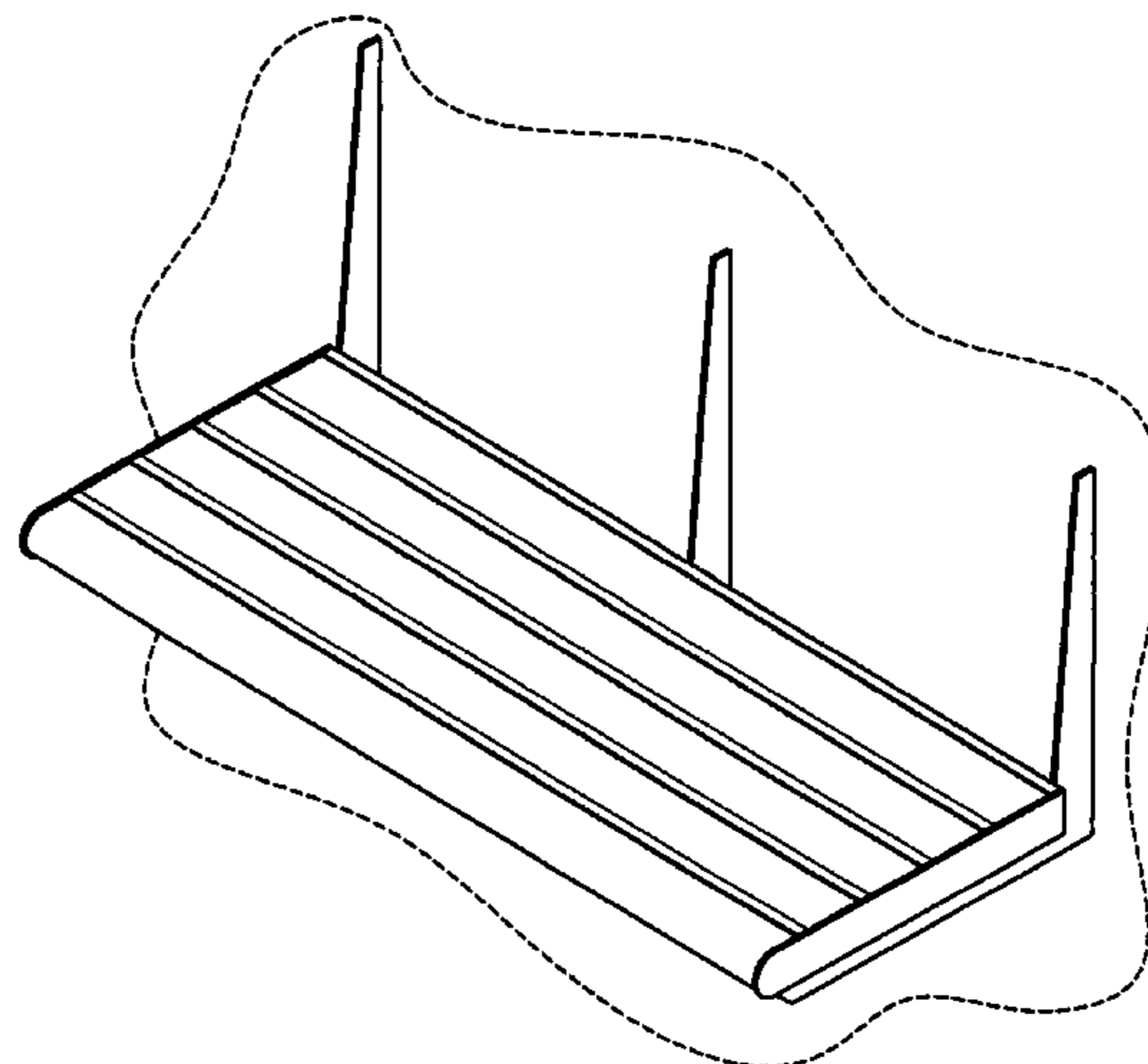
FIG. 1 is a perspective view of a furniture unit, showing our new design;

FIG. 2 is a top plan view;

FIG. 3 is a front elevational view; and,

FIG. 4 is a left-hand side elevational view, wherein the right-hand side elevational view is a mirror image thereof.

1 Claim, 2 Drawing Sheets



US D578,817 S

Page 2

U.S. PATENT DOCUMENTS

5,406,894	A	4/1995	Herrmann et al.	6,581,788	B1	6/2003	Winig et al.	
5,613,449	A	3/1997	Pullman	6,672,226	B2	1/2004	Bohnacker	
5,931,429	A	8/1999	Hellwig et al.	6,702,128	B2	3/2004	Winig et al.	
6,019,331	A	2/2000	Hoogland et al.	6,711,871	B2	3/2004	Beirise et al.	
6,138,583	A	10/2000	Mahone et al.	6,918,496	B1	7/2005	Henson, III	
6,202,966	B1	3/2001	MacDonald et al.	D546,103	S *	7/2007	Eyman et al. D6/574
6,315,135	B1	11/2001	Stuart	D549,026	S *	8/2007	Parshad D6/574
6,446,396	B1	9/2002	Marangoni et al.	D553,891	S *	10/2007	Forney D6/574
6,487,978	B1	12/2002	Hamberg	D557,963	S *	12/2007	Hoernig D6/574

* cited by examiner

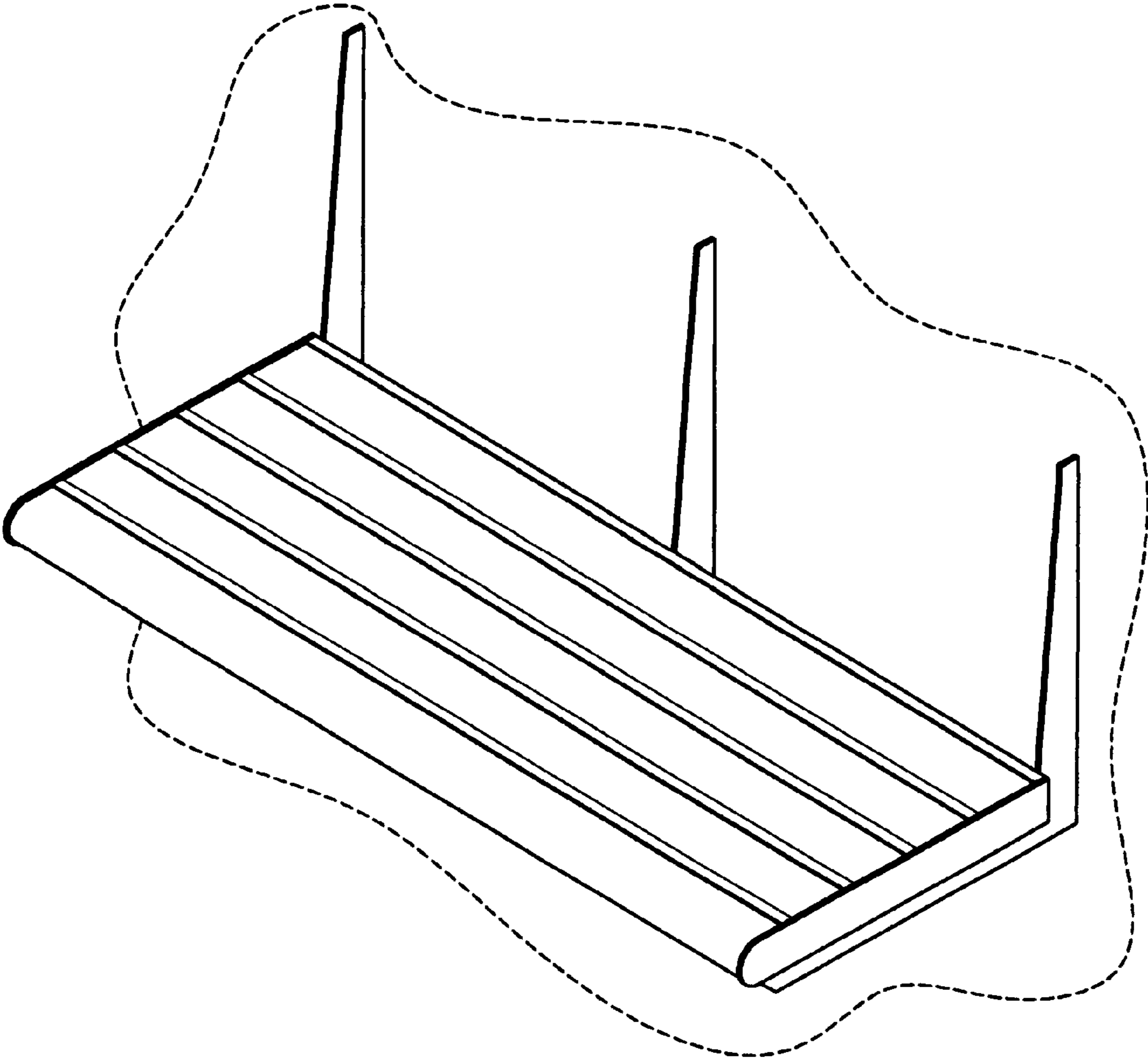


FIG. 1

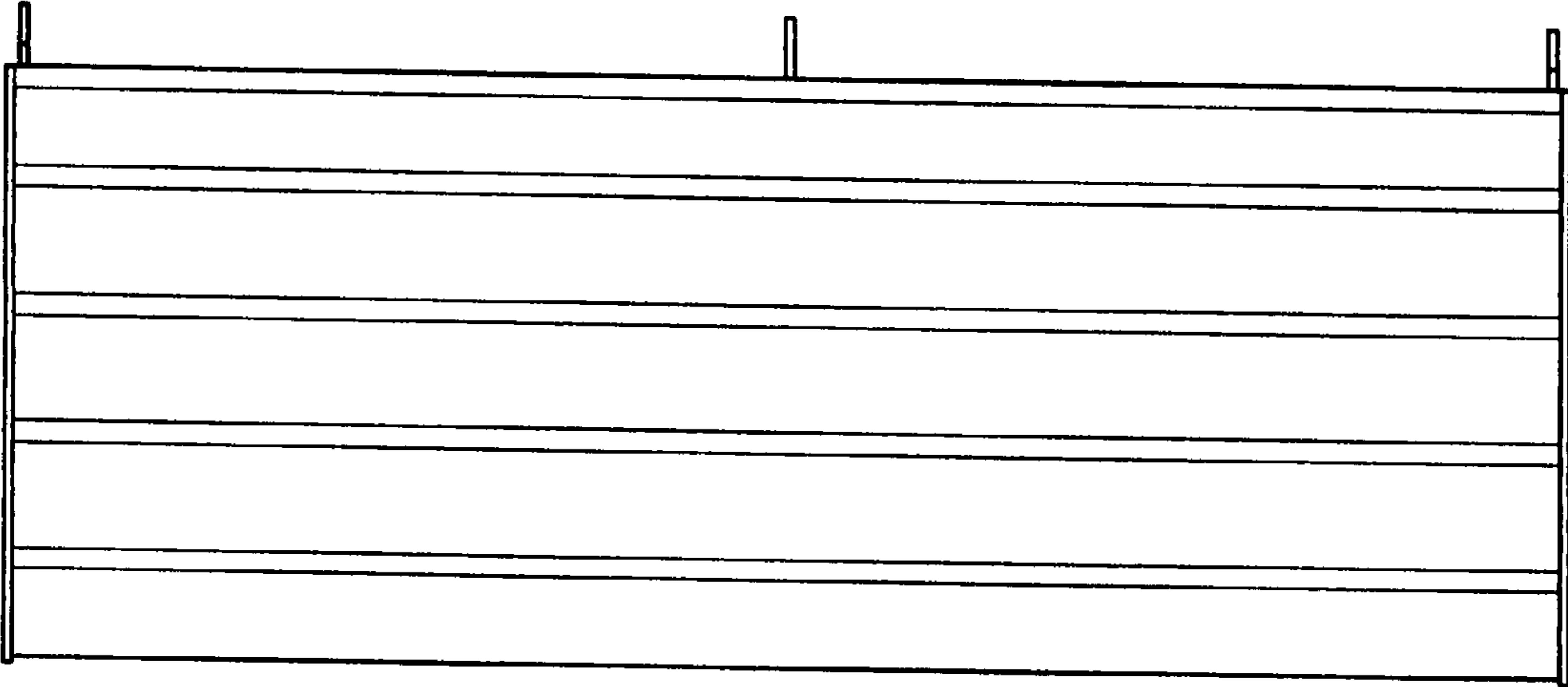


FIG. 2

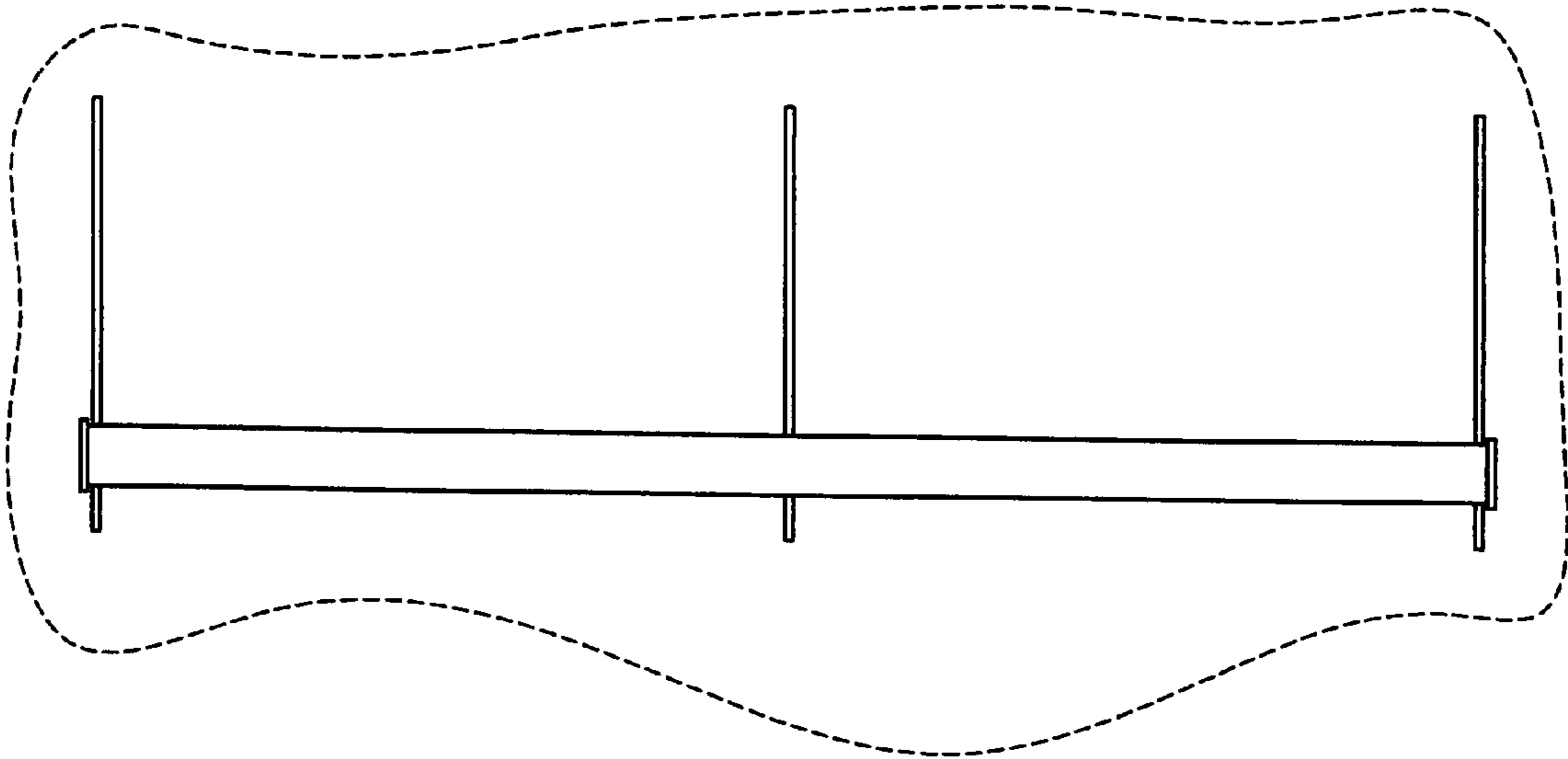


FIG. 3

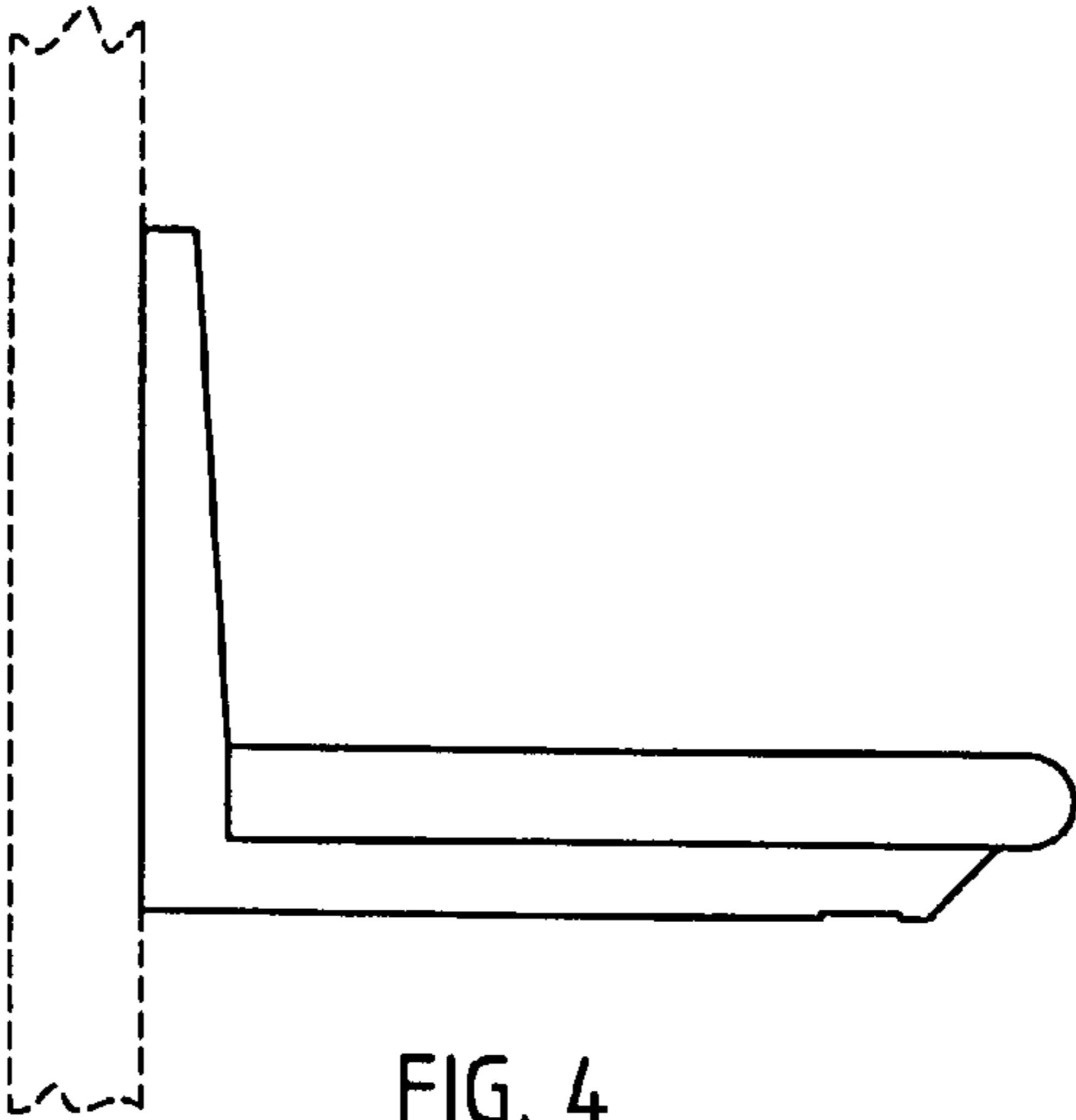


FIG. 4

UNITED STATES PATENT AND TRADEMARK OFFICE
Certificate

Patent No. D578,817 S

Patented: October 21, 2008

On petition requesting issuance of a certificate for correction of inventorship pursuant to 35 U.S.C. 256, it has been found that the above identified patent, through error and without any deceptive intent, improperly sets forth the inventorship.

Accordingly, it is hereby certified that the correct inventorship of this patent is: Donald P. Gravel, Toronto (CA); Jian Hong, Toronto (CA); John R. Hamilton, San Rafael, CA (US); and Karl J. Mead, East Grand Rapids, MI (US)

Signed and Sealed this Sixteenth Day of November 2010.

Caron Veynar
Supervisory Patent Examiner
Art Unit 2913
Technology Center 2900