



US00D578815S

(12) **United States Design Patent**  
**Dominique et al.**

(10) **Patent No.:** **US D578,815 S**  
(45) **Date of Patent:** **\*\* Oct. 21, 2008**

(54) **HANGING STORAGE BIN**

D540,091 S \* 4/2007 Snell ..... D6/566

(75) Inventors: **Traci Dominique**, Orland Park, IL (US);  
**David Starr**, Woodridge, IL (US); **Scott Borto**, Woodridge, IL (US); **Sarah Naffziger**, Woodridge, IL (US)

\* cited by examiner

*Primary Examiner*—Brian N Vinson

(74) *Attorney, Agent, or Firm*—DLA Piper US LLP; Jennifer E. LaCroix

(73) Assignee: **Wilton Industries, Inc.**, Woodridge, IL (US)

(57) **CLAIM**

The ornamental design for a hanging storage bin, as shown and described.

(\*\*) Term: **14 Years**

(21) Appl. No.: **29/284,748**

**DESCRIPTION**

(22) Filed: **Sep. 14, 2007**

FIG. 1 is a perspective view of the hanging storage bin;  
FIG. 2 is a front elevational view of the hanging storage bin;  
FIG. 3 is a rear elevational view of the hanging storage bin;  
FIG. 4 is a side elevational view of the hanging storage bin;  
FIG. 5 is a top plan view of the hanging storage bin; and,  
FIG. 6 is a bottom plan view of the hanging storage bin.

(51) **LOC (8) Cl.** ..... **06-04**

(52) **U.S. Cl.** ..... **D6/566**; D6/514; D6/570

(58) **Field of Classification Search** ..... D6/566,  
D6/567, 553; D19/65, 75, 78, 86, 90–91,  
D19/99–100; 211/10, 11, 13.1, 45, 50, 52,  
211/55, 87.01, 90.03, 119.005, 126.9, 126.11  
See application file for complete search history.

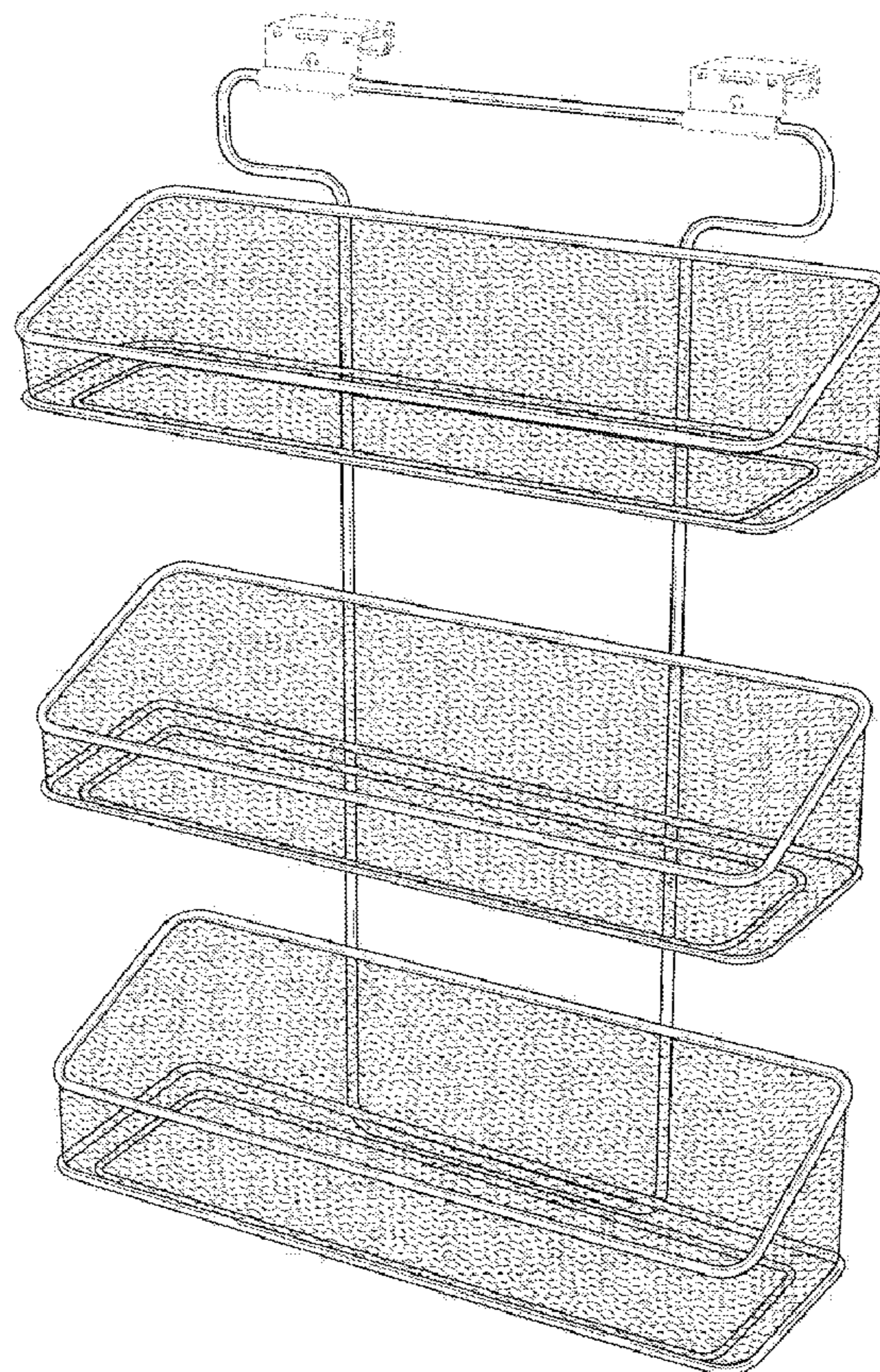
The broken lines designating the mesh of the hanging storage bin are for illustrative purposes only, they are not intended to designate any particular pattern in the mesh of the hanging storage bin, and they form no part of the claimed design. The broken lines depicting hardware represent environmental elements only and form no part of the claimed design.

(56) **References Cited**

**U.S. PATENT DOCUMENTS**

D437,354 S \* 2/2001 Andujar ..... D6/566  
D458,640 S \* 6/2002 Hofman ..... D6/566  
D530,962 S \* 10/2006 Wood ..... D6/566

**1 Claim, 5 Drawing Sheets**



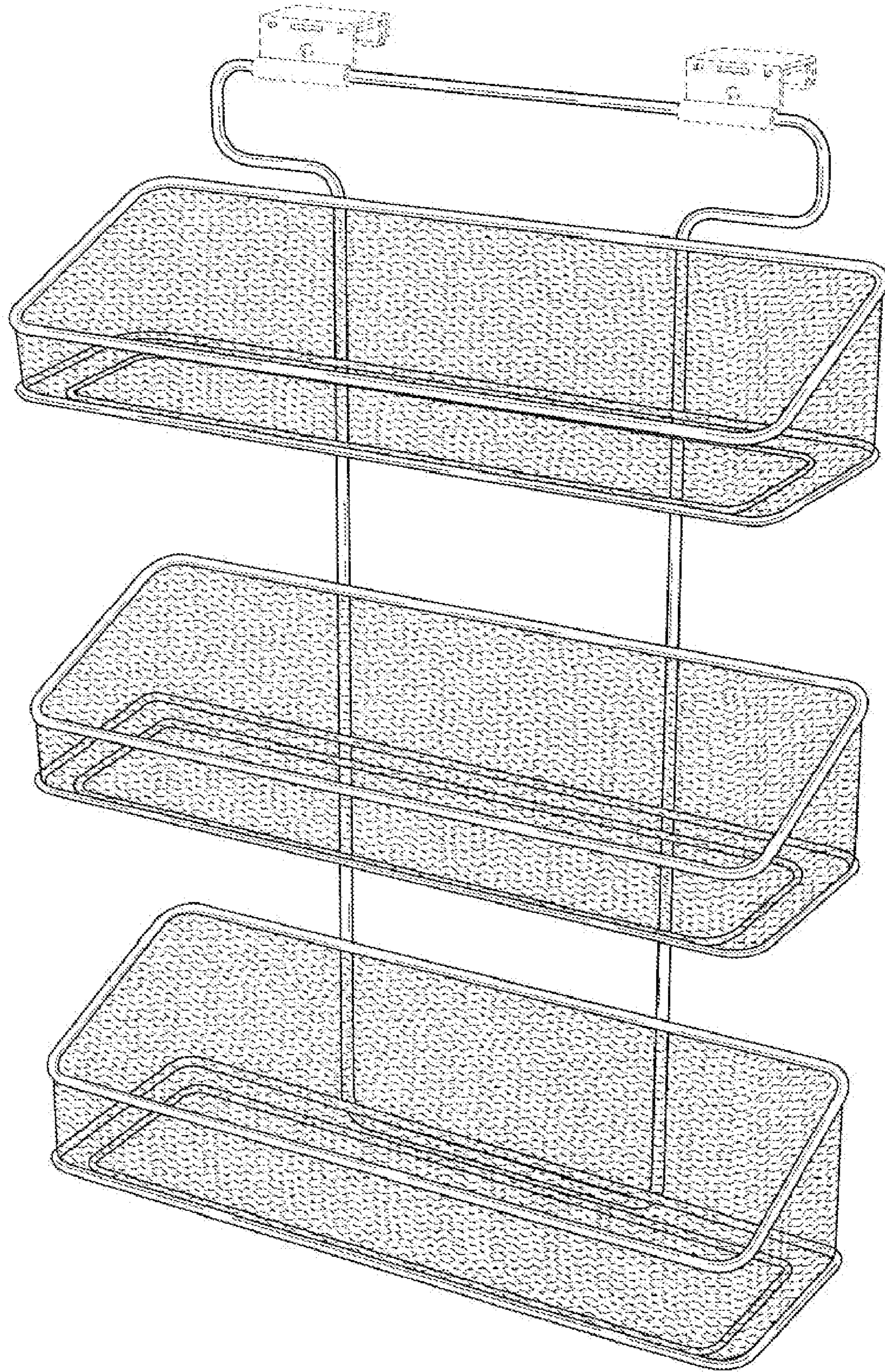


FIG. 1

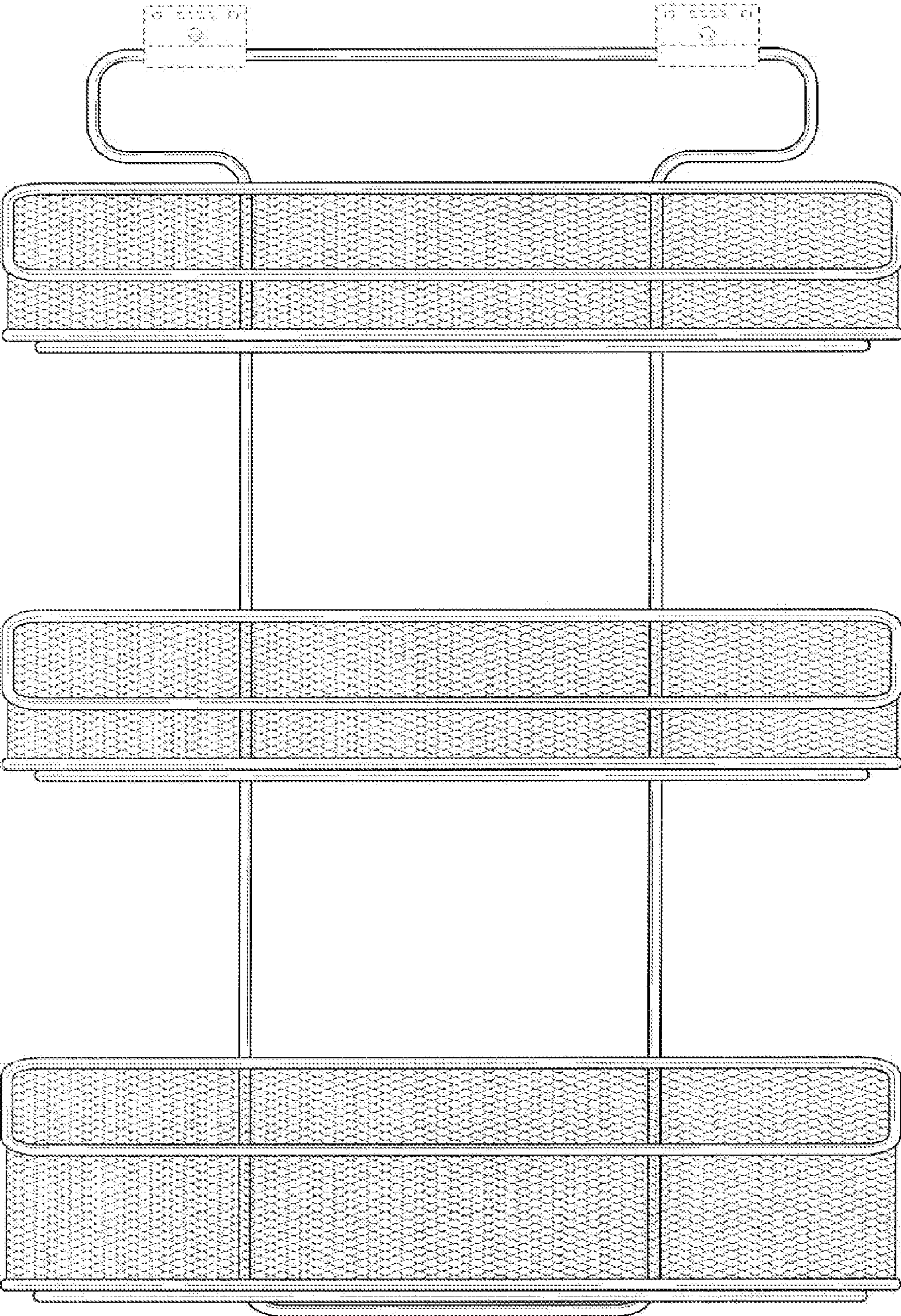


FIG. 2

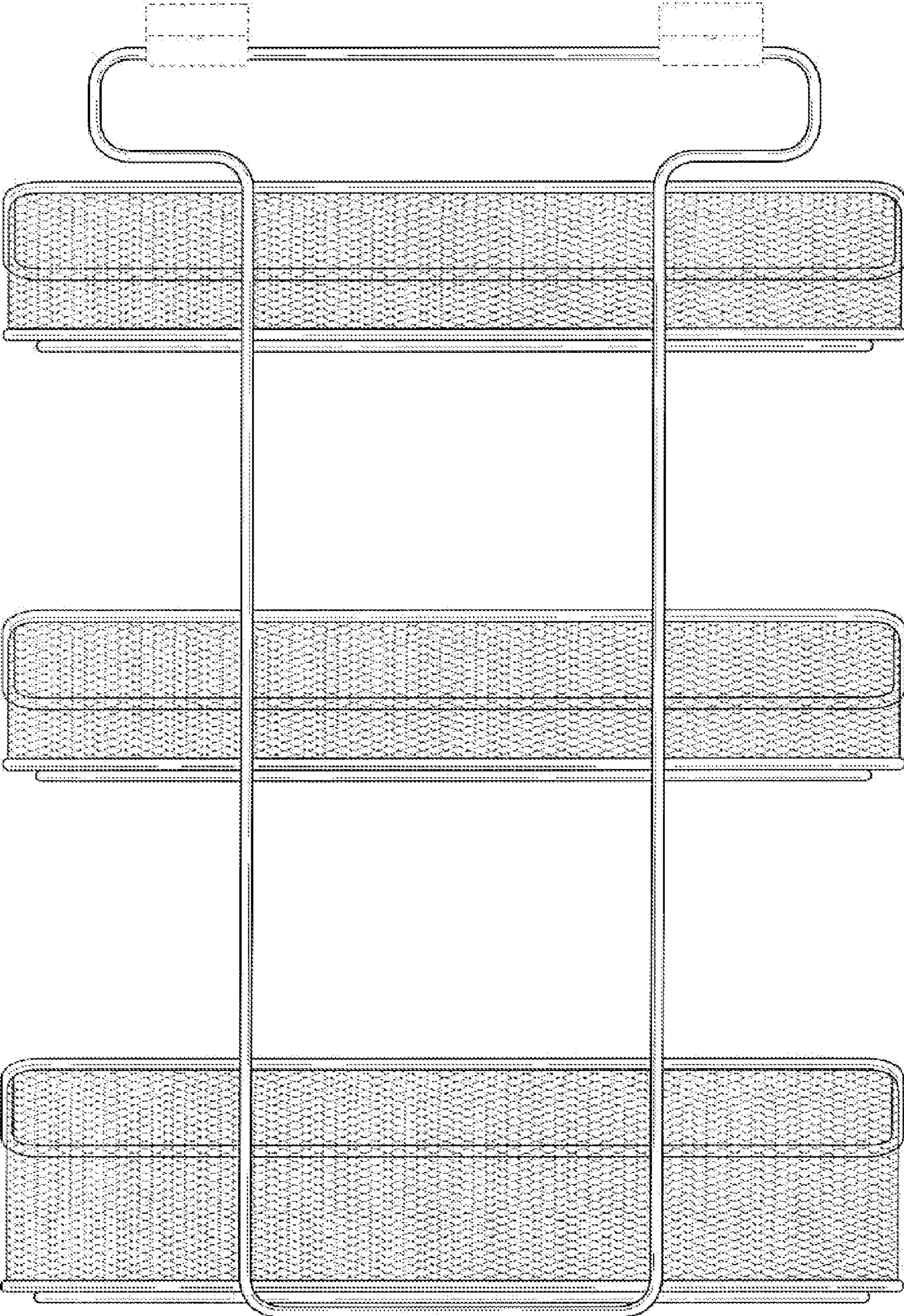


FIG. 3

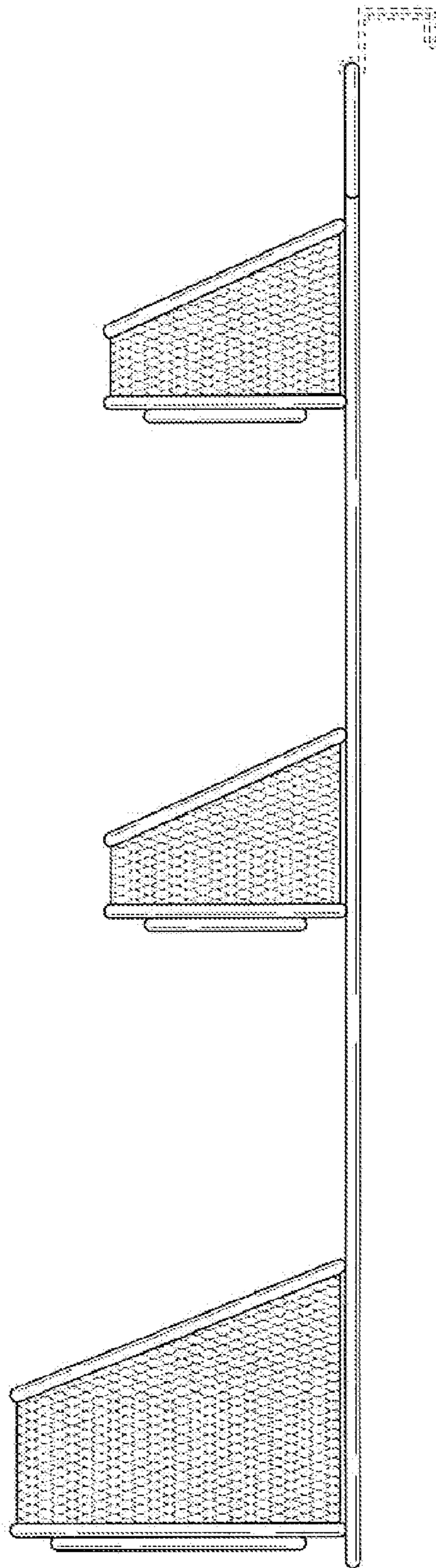


FIG. 4

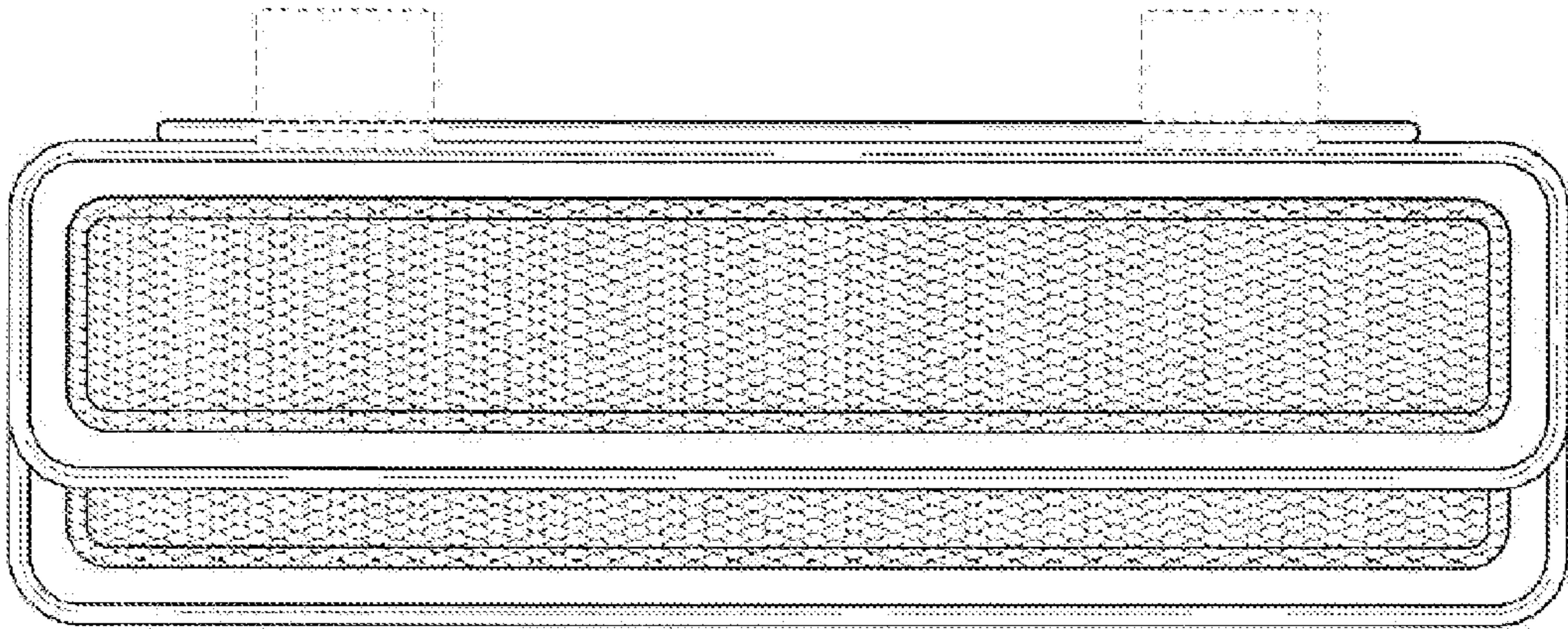


FIG. 5

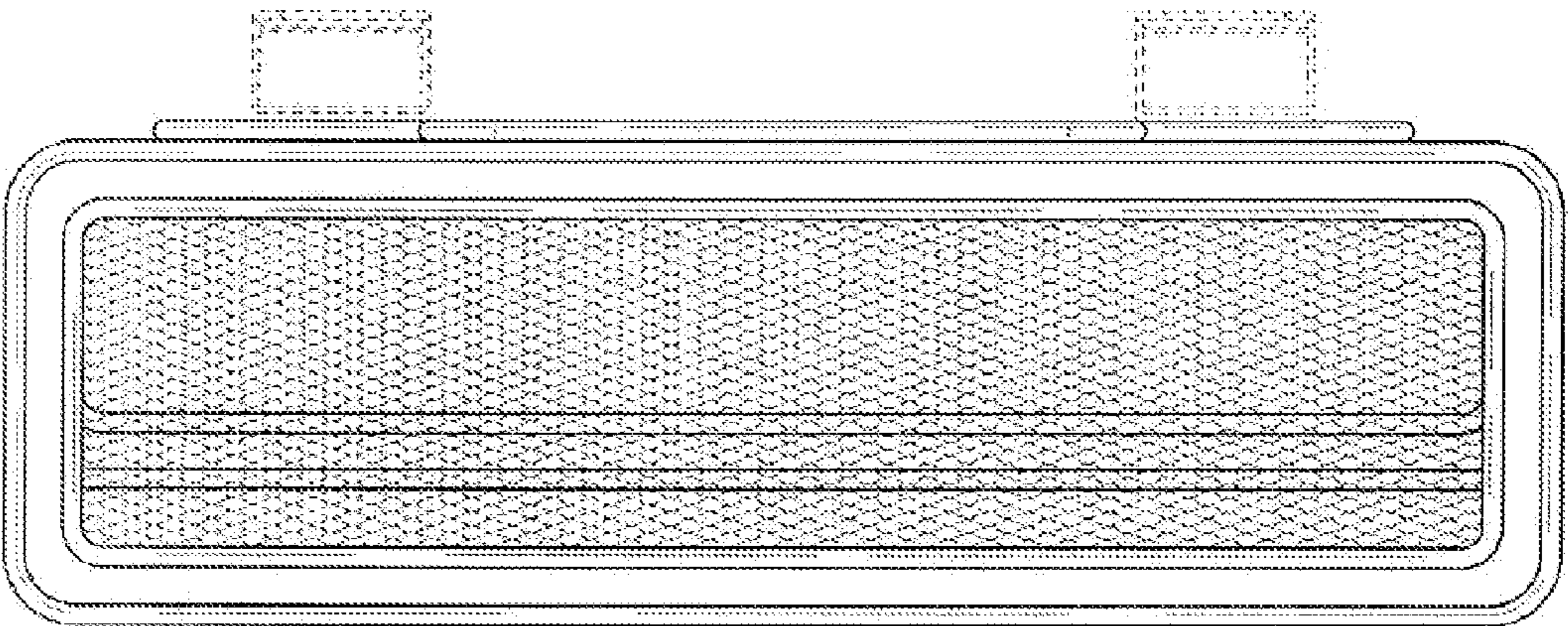


FIG. 6