



US00D578814S

(12) **United States Design Patent**  
**Dretzka**

(10) **Patent No.:** **US D578,814 S**  
(45) **Date of Patent:** **\*\* Oct. 21, 2008**

(54) **SOAP DISPENSER**

D538,092 S \* 3/2007 Snell ..... D6/542

(75) Inventor: **Philip C. Dretzka**, Mariemont, OH (US)

\* cited by examiner

(73) Assignee: **InterDesign, Inc.**, Solon, OH (US)

*Primary Examiner*—Brian N Vinson

(74) *Attorney, Agent, or Firm*—D. Peter Hochberg; Sean F. Mellino; Daniel J. Smola

(\*\*) Term: **14 Years**

(21) Appl. No.: **29/307,012**

(57) **CLAIM**

(22) Filed: **Mar. 27, 2008**

The ornamental design for a soap dispenser, as shown and described.

(51) **LOC (8) Cl.** ..... **23-02**

(52) **U.S. Cl.** ..... **D6/542**

(58) **Field of Classification Search** ..... D6/542–545;  
D9/682, 688, 690, 291, 448, 449; 221/282;  
222/14, 173, 146.3, 628, 251, 181.1, 181.3  
See application file for complete search history.

**DESCRIPTION**

FIG. 1 is a perspective view of the soap dispenser according to the invention;

FIG. 2 is a top view of the soap dispenser as shown in FIG. 1;

FIG. 3 is a front view of the soap dispenser as shown in FIG. 1;

FIG. 4 is a side view of the soap dispenser as shown in FIG. 1;

FIG. 5 is a rear view of the soap dispenser as shown in FIG. 1;

FIG. 6 is a side view of the soap dispenser as shown in FIG. 1, shown from the opposite side as that shown in FIG. 4; and,

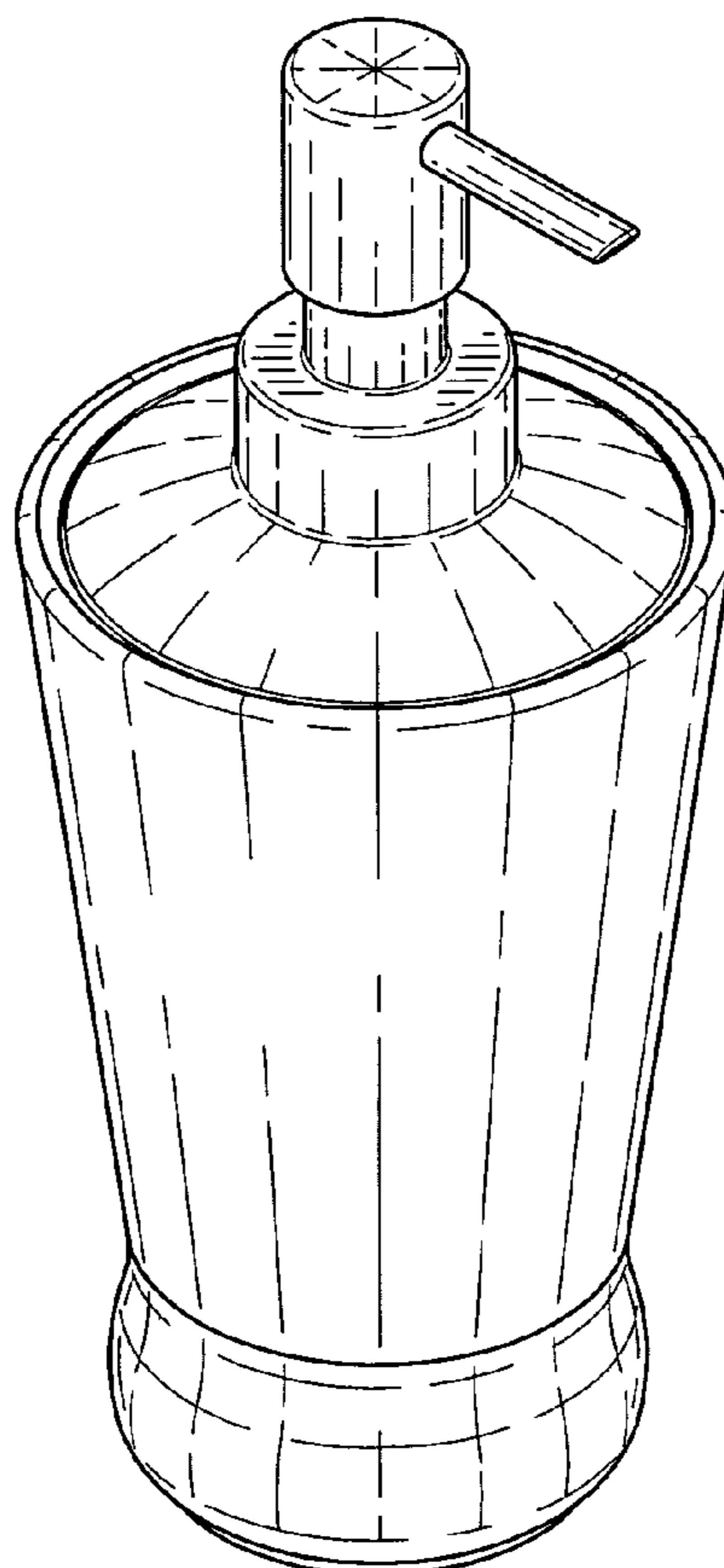
FIG. 7 is a bottom view of the soap dispenser as shown in FIG. 1.

(56) **References Cited**

**U.S. PATENT DOCUMENTS**

|            |   |         |              |       |        |
|------------|---|---------|--------------|-------|--------|
| D416,154 S | * | 11/1999 | Diehl        | ..... | D6/542 |
| D444,977 S | * | 7/2001  | Ludwig       | ..... | D6/542 |
| D477,990 S |   | 8/2003  | Dretzka      |       |        |
| D484,401 S |   | 12/2003 | Dretzka      |       |        |
| D530,954 S | * | 10/2006 | Snell        | ..... | D6/542 |
| D531,845 S | * | 11/2006 | Christianson | ..... | D6/542 |
| D537,361 S |   | 2/2007  | Dretzka      |       |        |
| D537,666 S | * | 3/2007  | Berberet     | ..... | D6/542 |

**1 Claim, 3 Drawing Sheets**



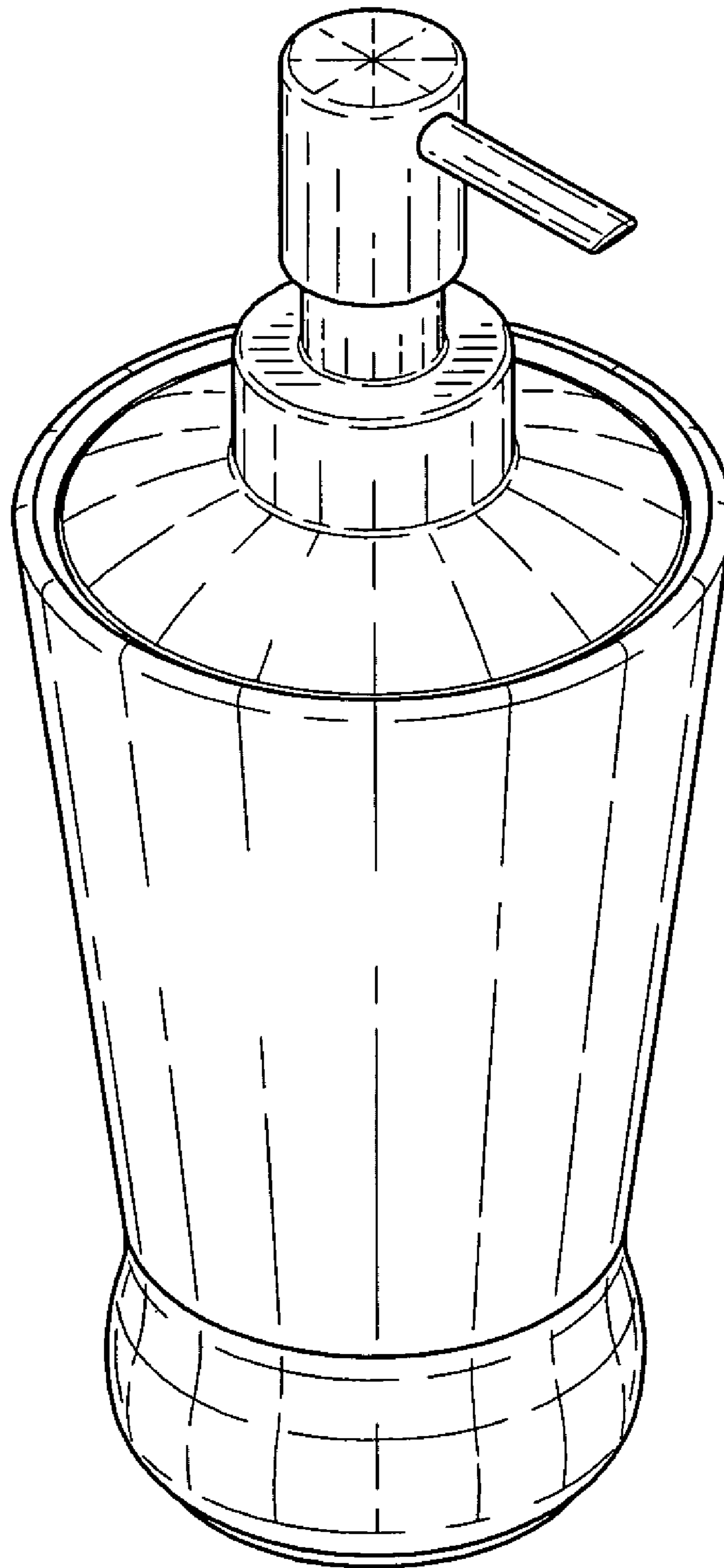


FIG-1

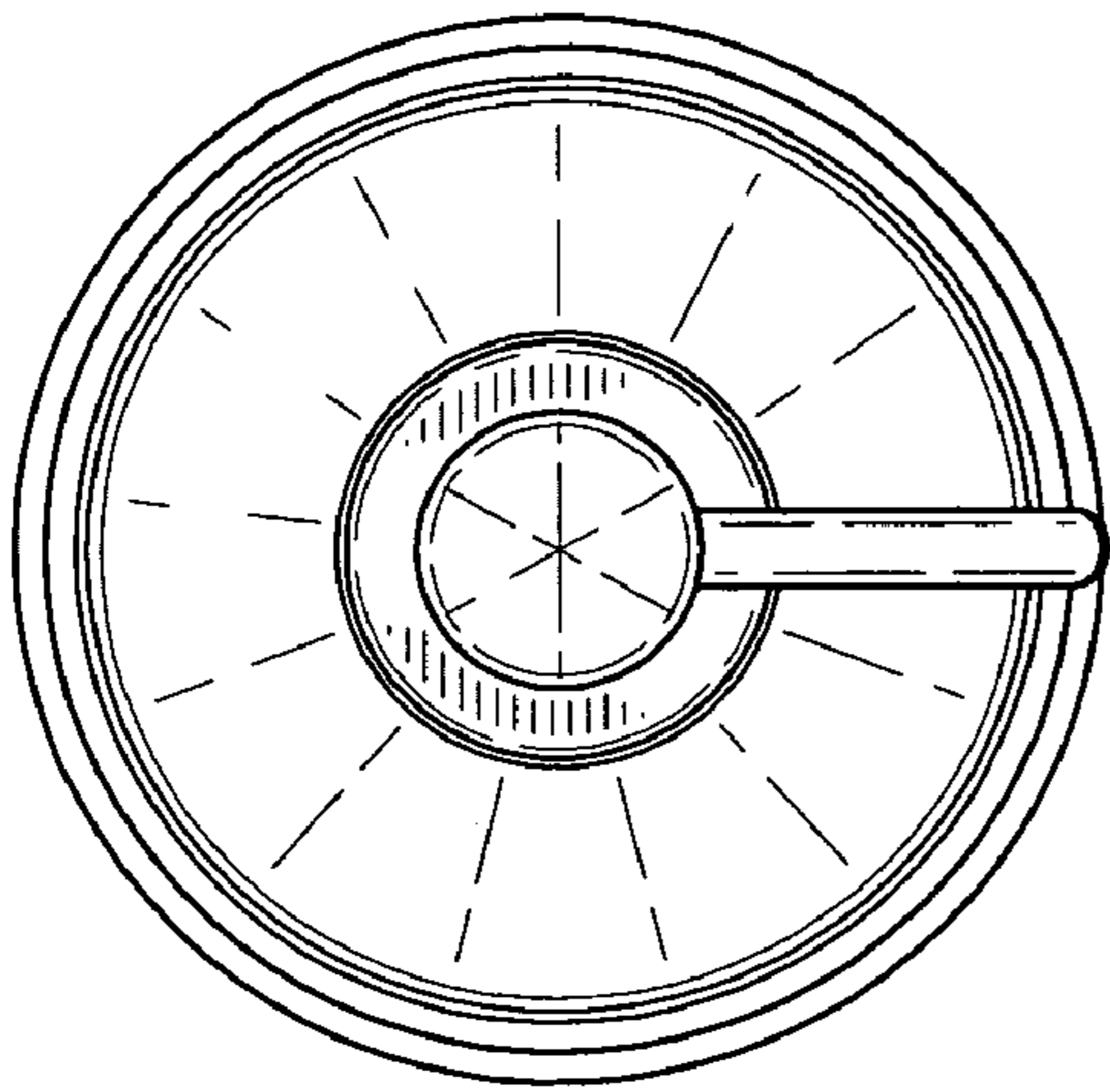


FIG-2

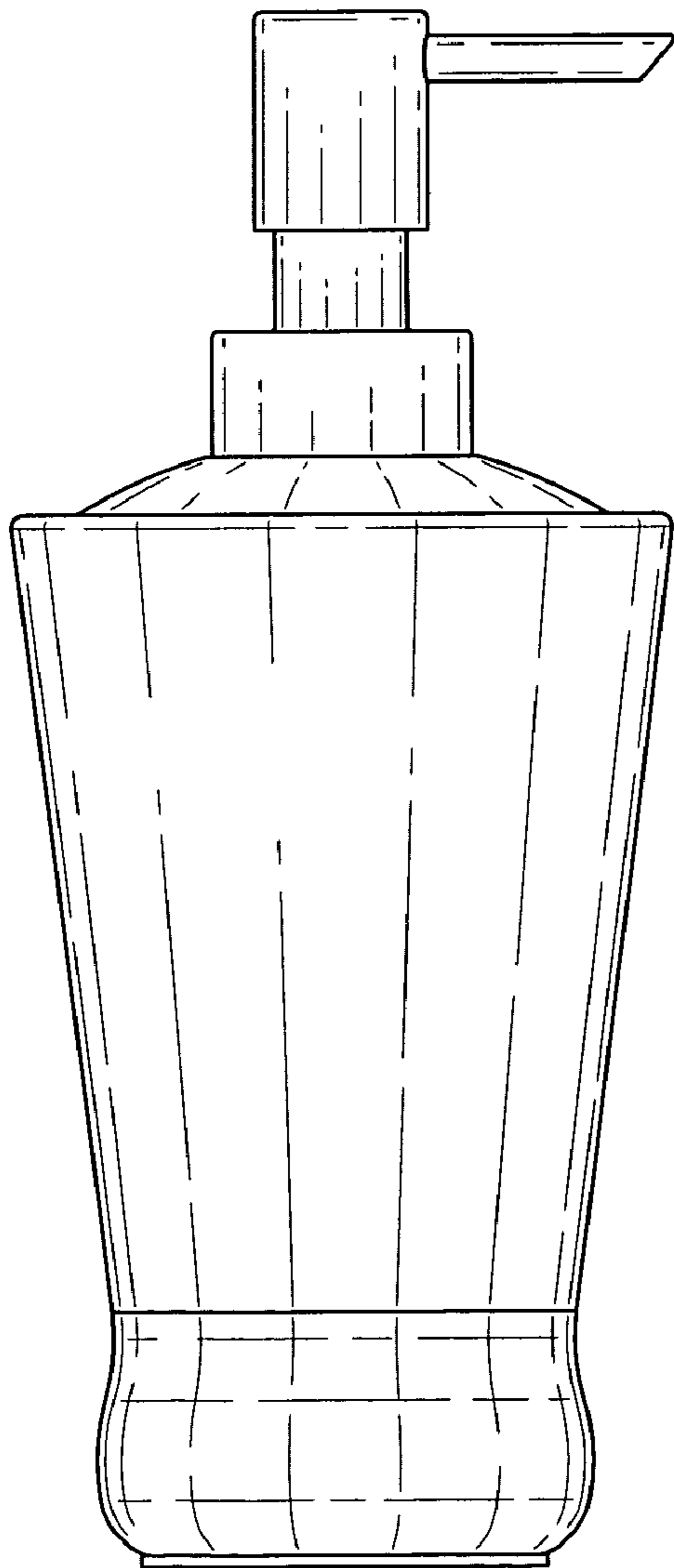


FIG-3

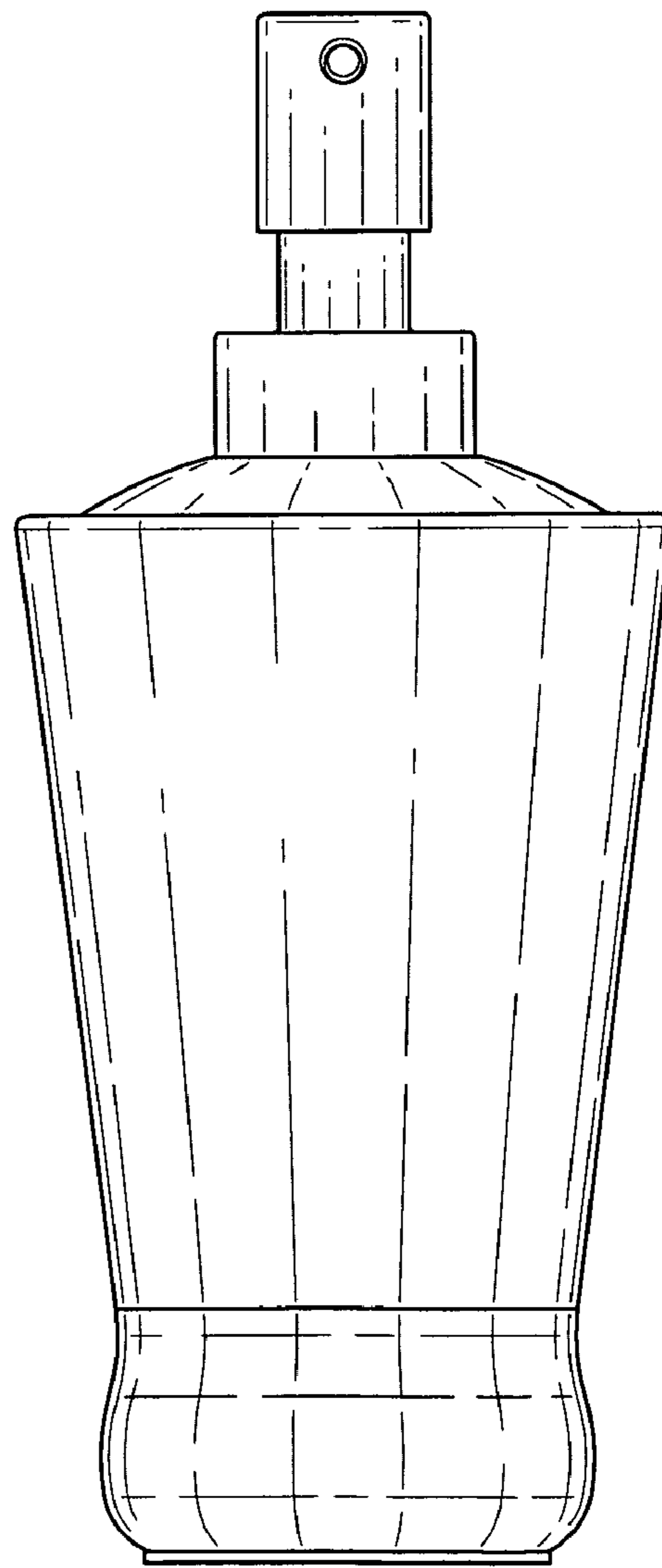


FIG-4

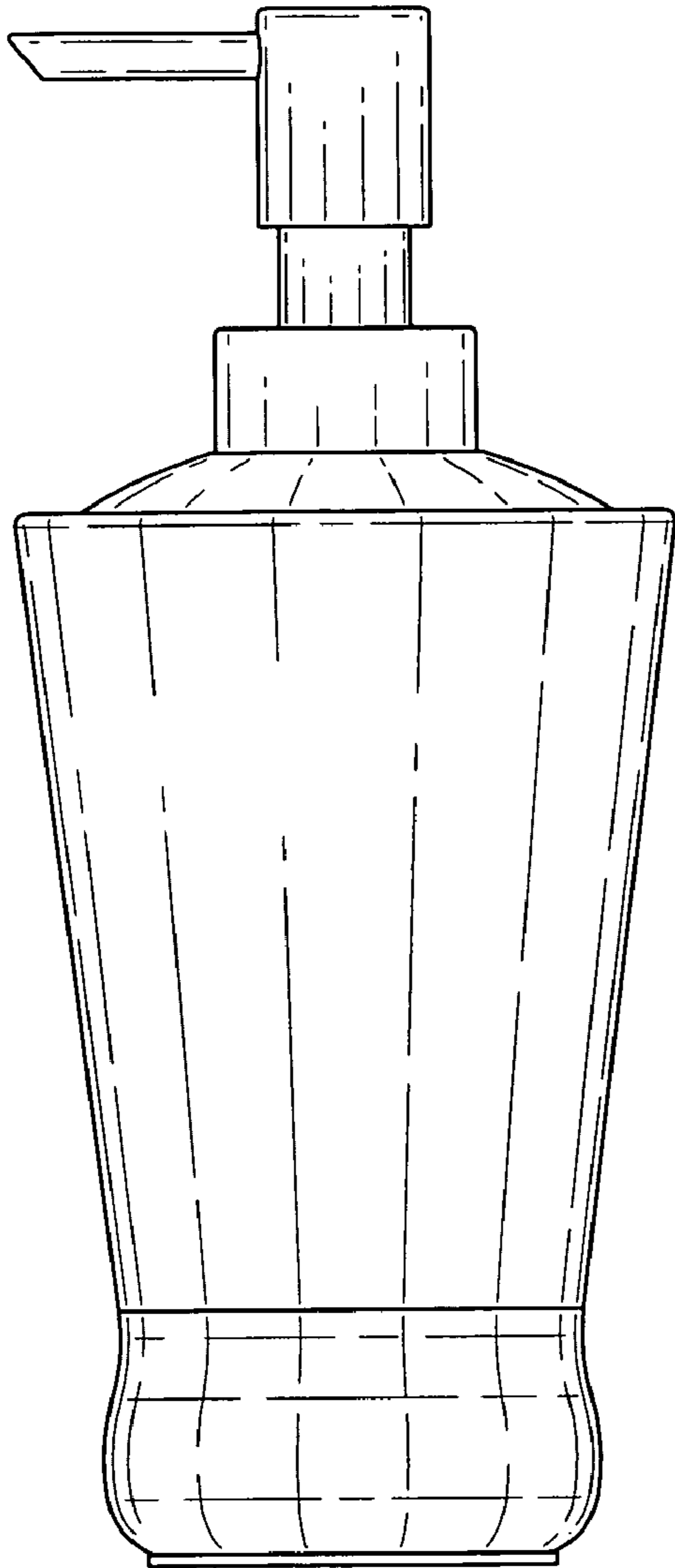


FIG-5

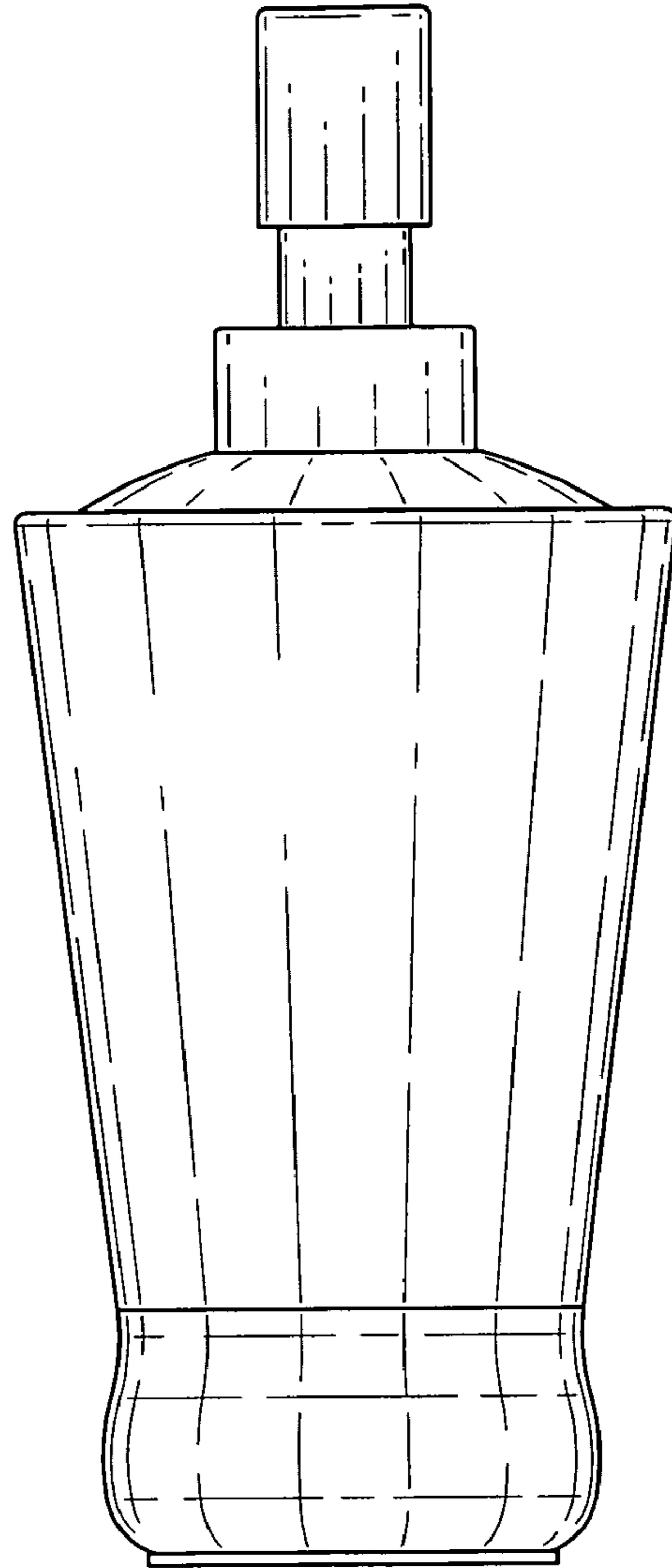


FIG-6

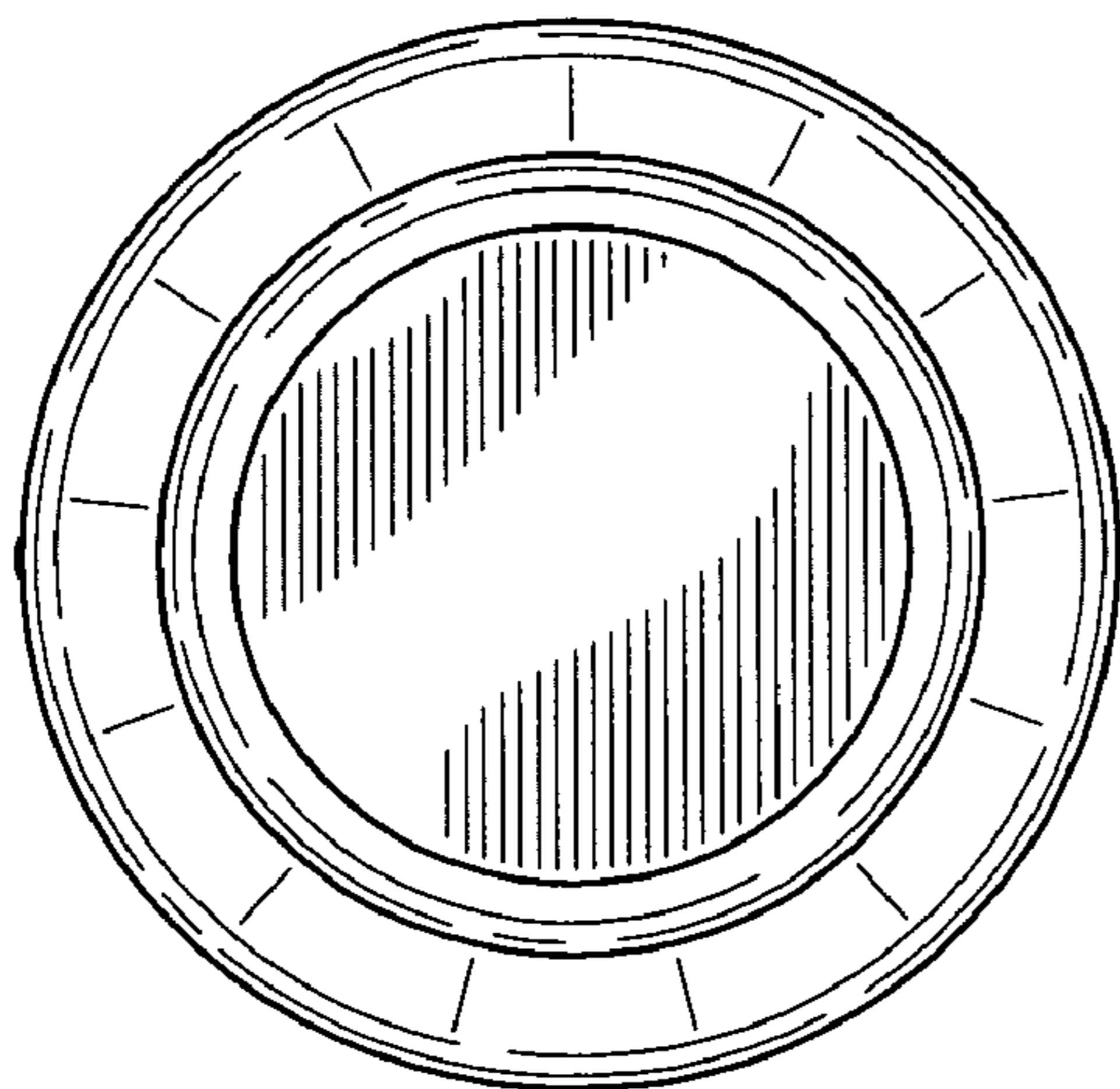


FIG-7