



US00D578812S

(12) **United States Design Patent**  
**Tingley**

(10) **Patent No.:** **US D578,812 S**  
(45) **Date of Patent:** **\*\* Oct. 21, 2008**

(54) **PORTABLE STORAGE SYSTEM COMPONENT**

(75) Inventor: **Todd Tingley**, Redondo Beach, CA (US)

(73) Assignee: **Tagalong Enterprises**, Redondo Beach, CA (US)

(\*\*) Term: **14 Years**

(21) Appl. No.: **29/285,882**

(22) Filed: **Apr. 13, 2007**

(51) **LOC (8) Cl.** ..... **06-06**

(52) **U.S. Cl.** ..... **D6/513; D3/293**

(58) **Field of Classification Search** ..... D3/20,  
D3/273, 276, 278, 283–284, 293, 299, 303;  
D6/315, 319–320, 323, 512–514, 553; 190/109–111;  
206/284–287; 211/10, 55, 85.29, 113, 118;  
223/85, 88

See application file for complete search history.

(56) **References Cited**

U.S. PATENT DOCUMENTS

- 1,982,166 A \* 11/1934 Hultquist ..... 223/85
- 2,710,638 A \* 6/1955 Ford ..... 383/23
- 3,116,773 A 1/1964 Kikas
- 3,120,297 A \* 2/1964 Riley ..... 190/110
- 3,139,133 A \* 6/1964 Spector ..... 190/111
- 3,834,497 A \* 9/1974 Furst ..... 190/109
- 3,854,573 A \* 12/1974 Freier, Sr. .... 198/687.1
- 3,929,224 A \* 12/1975 Smith, Jr. .... 206/287
- 4,966,287 A \* 10/1990 Snyder ..... 211/85.2
- D313,906 S \* 1/1991 Lublin ..... D6/467
- D315,839 S \* 4/1991 Martorella ..... D6/513
- 5,125,519 A 6/1992 Cambria
- 5,163,606 A 11/1992 Isserstedt
- D347,447 S \* 5/1994 Isserstedt ..... D19/90
- D350,027 S \* 8/1994 Downes et al. .... D3/278
- 5,351,813 A 10/1994 Golovan
- D355,085 S \* 2/1995 Wilhite et al. .... D6/514

- 5,620,133 A 4/1997 Isserstedt
- 5,628,398 A \* 5/1997 Jackson ..... 206/287.1
- D387,929 S \* 12/1997 Stewart ..... D6/513
- D389,003 S \* 1/1998 Wilcox ..... D6/319
- 5,779,033 A 7/1998 Roegner
- D399,378 S \* 10/1998 Horne ..... D6/513
- D429,897 S 8/2000 Rogman et al.
- 6,209,734 B1 4/2001 Wang
- 6,296,128 B1 10/2001 Isserstedt
- 6,637,609 B2 \* 10/2003 Stevens ..... 211/118
- 6,729,519 B2 5/2004 Kestler
- 6,808,064 B1 \* 10/2004 Fanning ..... 206/286
- D544,274 S \* 6/2007 Hume ..... D6/553
- 7,377,409 B1 \* 5/2008 Brown ..... 223/88

\* cited by examiner

*Primary Examiner*—T. Chase Nelson

*Assistant Examiner*—Roselynn Cody

(74) *Attorney, Agent, or Firm*—Cislo & Thomas, LLP

(57) **CLAIM**

The ornamental design for a portable storage system component, as shown and described.

**DESCRIPTION**

FIG. 1 is a front view of the portable storage system component;

FIG. 2 is a perspective view of thereof;

FIG. 3 is a top view thereof;

FIG. 4 is a bottom view thereof;

FIG. 5 is a left side view thereof;

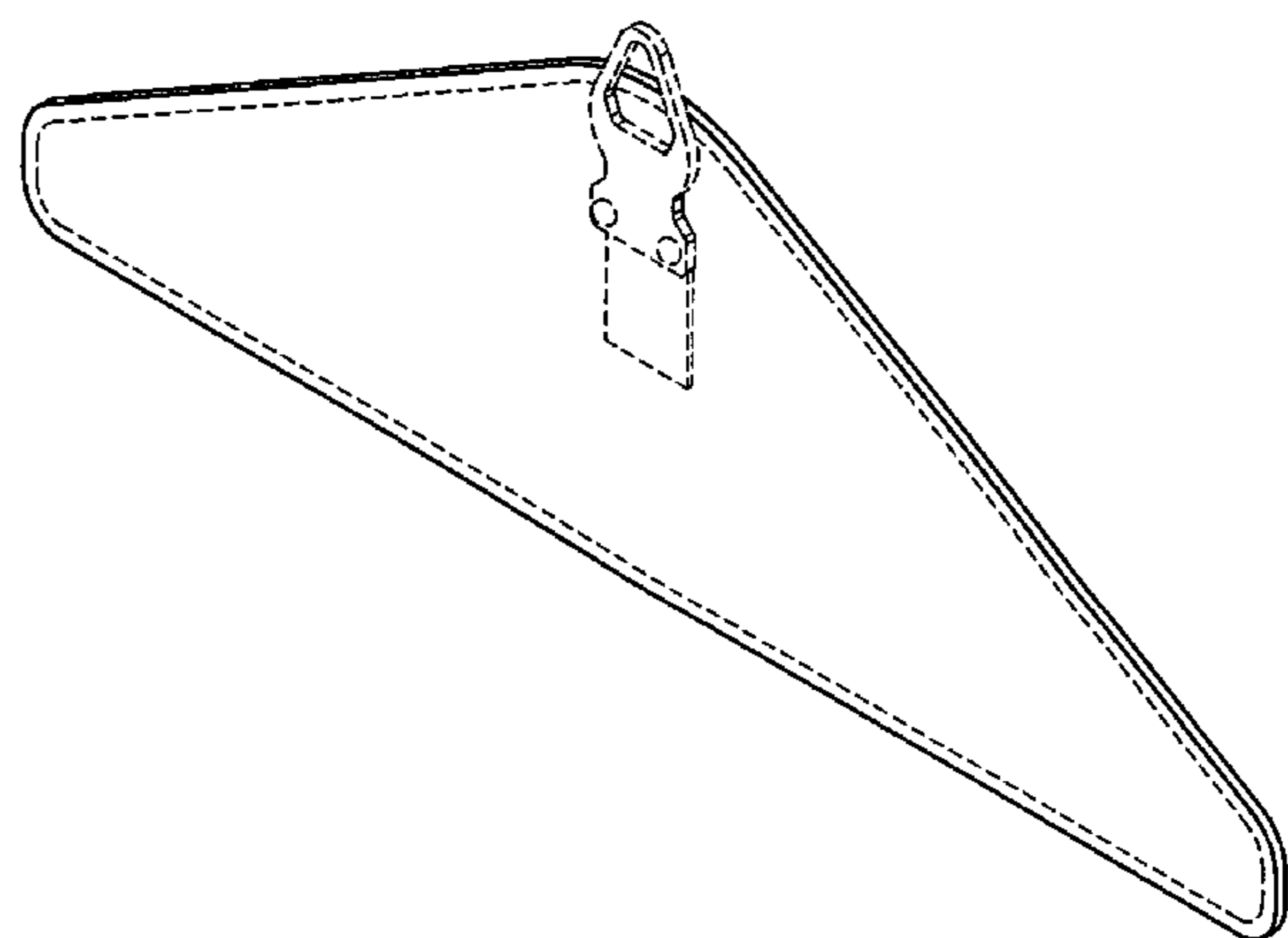
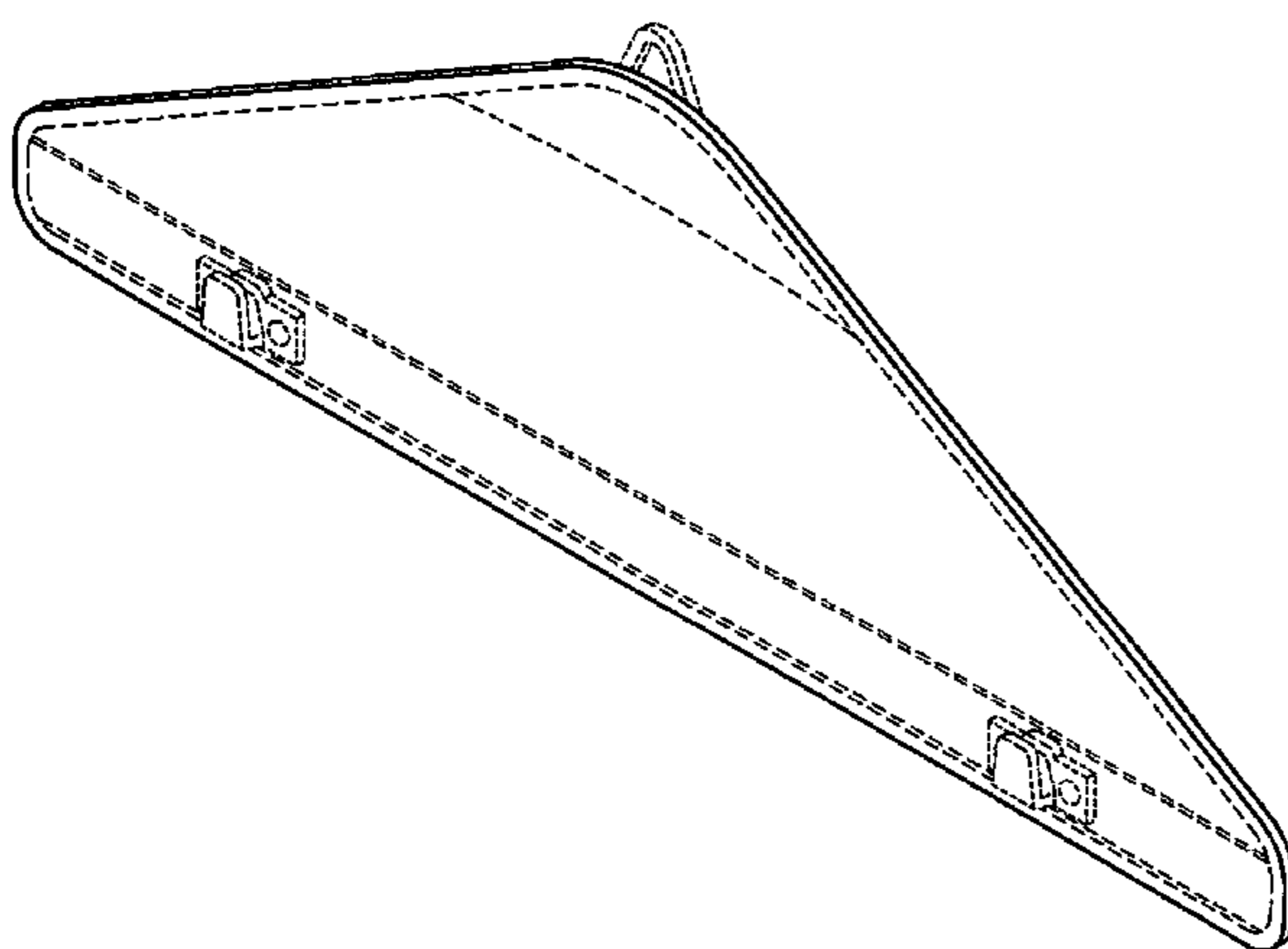
FIG. 6 is a right view thereof;

FIG. 7 is a back view thereof; and,

FIG. 8 is a perspective view of the back side thereof.

The broken lines in the drawings are directed to environment and are for illustrative purposes only, forming no part of the claimed design.

**1 Claim, 3 Drawing Sheets**



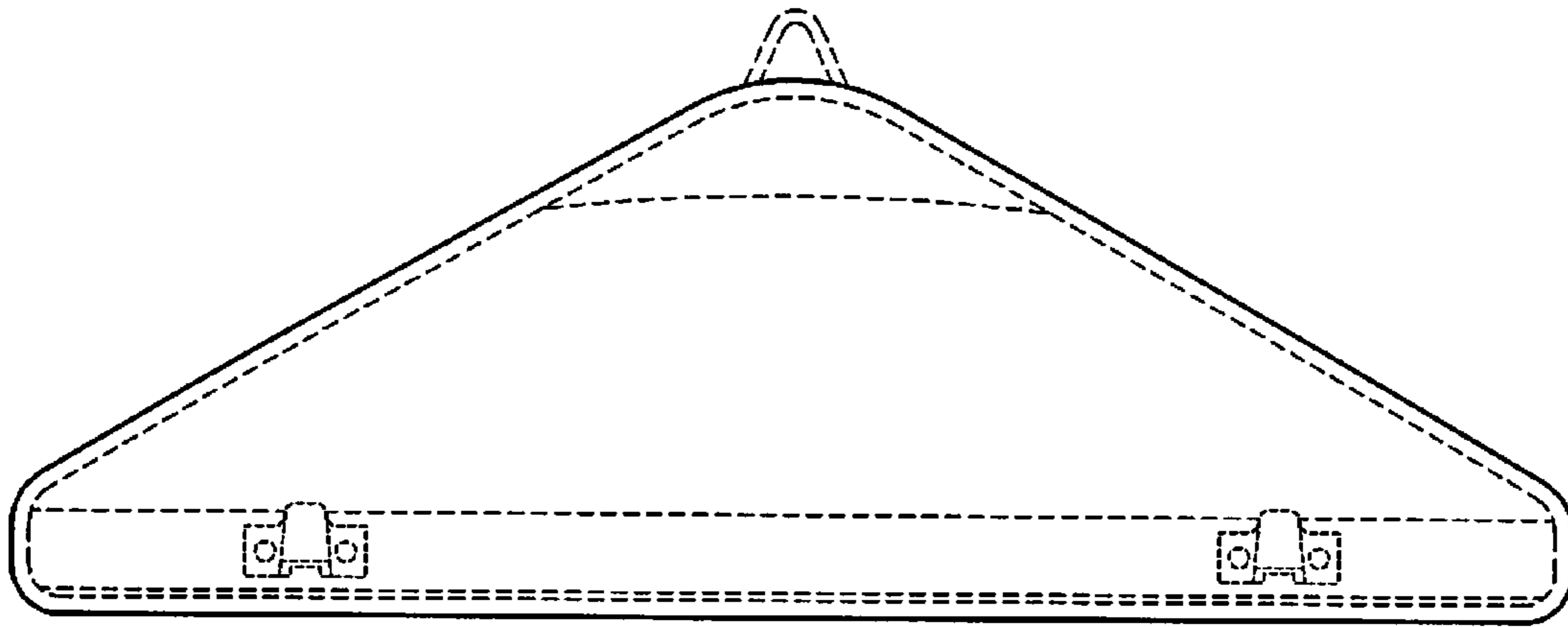


FIG. 1

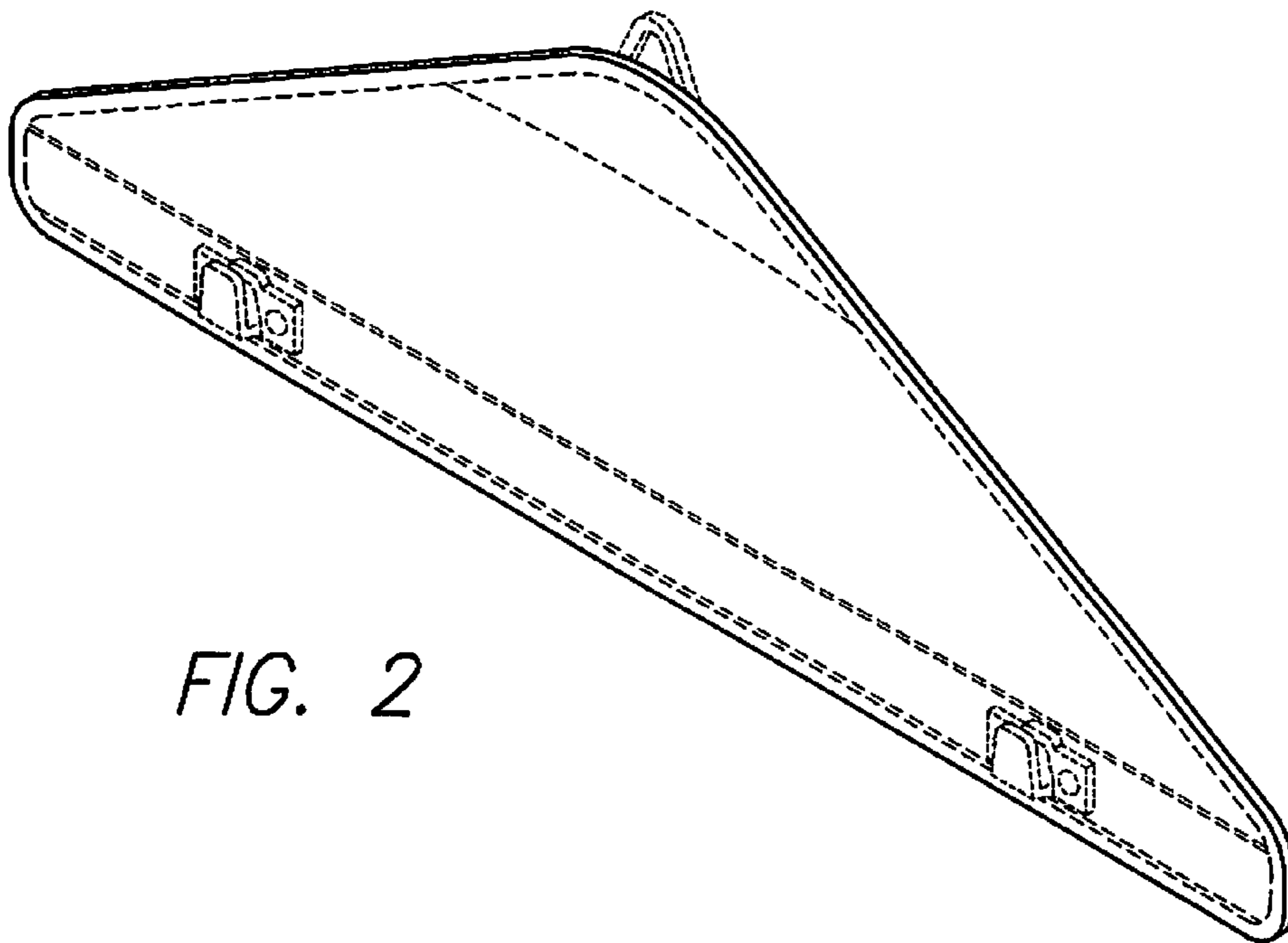


FIG. 2

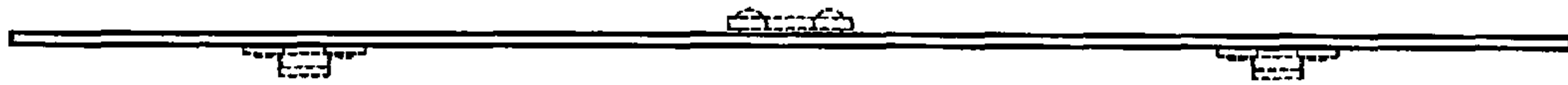


FIG. 3



FIG. 4

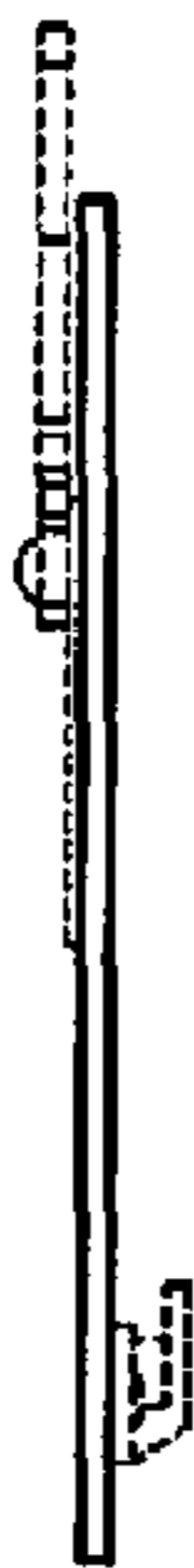


FIG. 5



FIG. 6

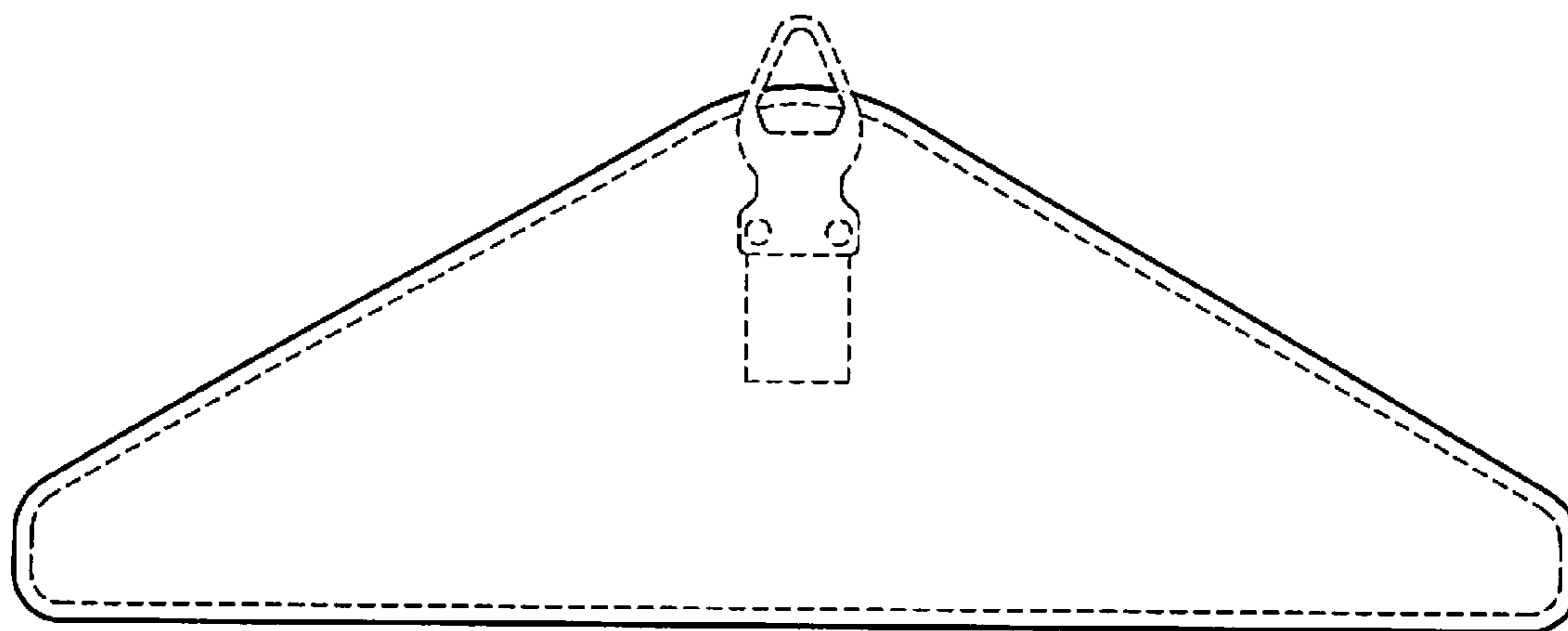


FIG. 7

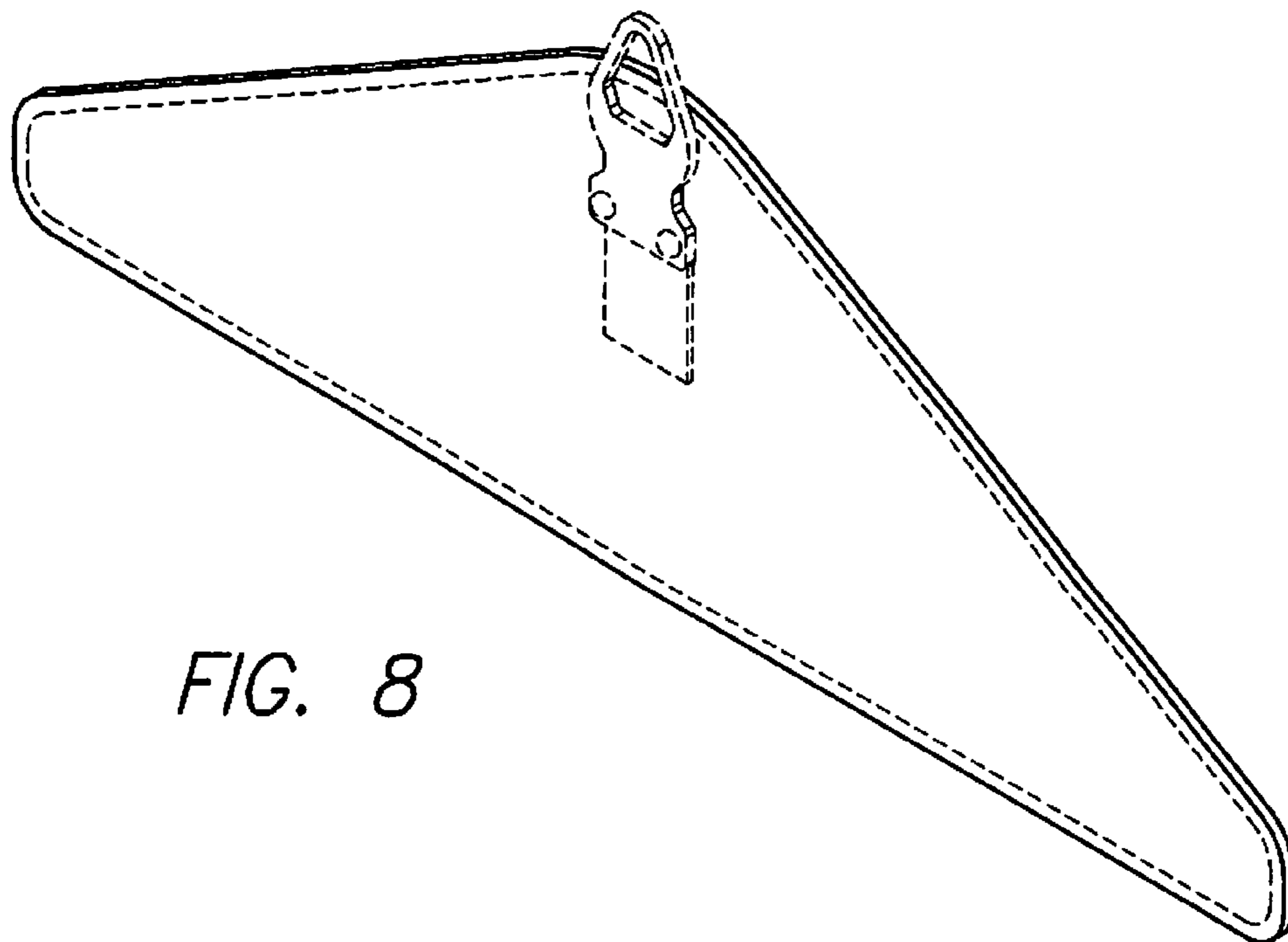


FIG. 8