



US00D578808S

(12) **United States Design Patent**  
**Pappas**

(10) **Patent No.:** **US D578,808 S**

(45) **Date of Patent:** **\*\* Oct. 21, 2008**

(54) **BENCH WITH BACK AND ELLIPTICAL FRAME OPENING**

*Primary Examiner*—Sandra Snapp  
(74) *Attorney, Agent, or Firm*—Thomas M. Freiburger

(76) **Inventor:** **Mark Pappas**, P.O. Box 2458, Rancho Mirage, CA (US) 92270

(57) **CLAIM**

The ornamental design for a bench with back and elliptical frame opening, substantially as shown and described.

(\*\*) **Term:** **14 Years**

(21) **Appl. No.:** **29/273,908**

**DESCRIPTION**

(22) **Filed:** **Mar. 16, 2007**

(51) **LOC (8) Cl.** ..... **06-01**

(52) **U.S. Cl.** ..... **D6/495**

(58) **Field of Classification Search** ..... D6/334–338,  
D6/349, 355, 363, 364, 369–370, 381, 491,  
D6/500–502, 509, 511, 601, 495; 297/16.1–16.2,  
297/116, 135, 154, 187, 158.3, 158.4, 158.5,  
297/184.1, 232, 244, 411.37, 440.1, 445.1;  
5/12.1, 655.3

See application file for complete search history.

FIG. 1 is a frontal perspective view showing a bench with back and elliptical frame opening according to my new design, the dashed lines indicating seat and back structure not forming a part of my design;

FIG. 2 is a right side elevation view thereof, the left side elevation being identical and opposite;

FIG. 3 is a rear elevation view thereof;

FIG. 4 is a top plan view thereof;

FIG. 5 is a front elevation view thereof;

FIG. 6 is a bottom plan view thereof;

FIG. 7 is a perspective view showing a second embodiment of a bench with back and elliptical frame opening according to my new design, the dashed lines indicating seat and back structure not forming a part of my design;

FIG. 8 is a right side elevation view thereof, the left side elevation being identical and opposite;

FIG. 9 is a rear elevation view thereof, the front elevation being identical;

FIG. 10 is a top plan view thereof;

FIG. 11 is a front elevation view thereof; and,

FIG. 12 is a bottom plan view thereof.

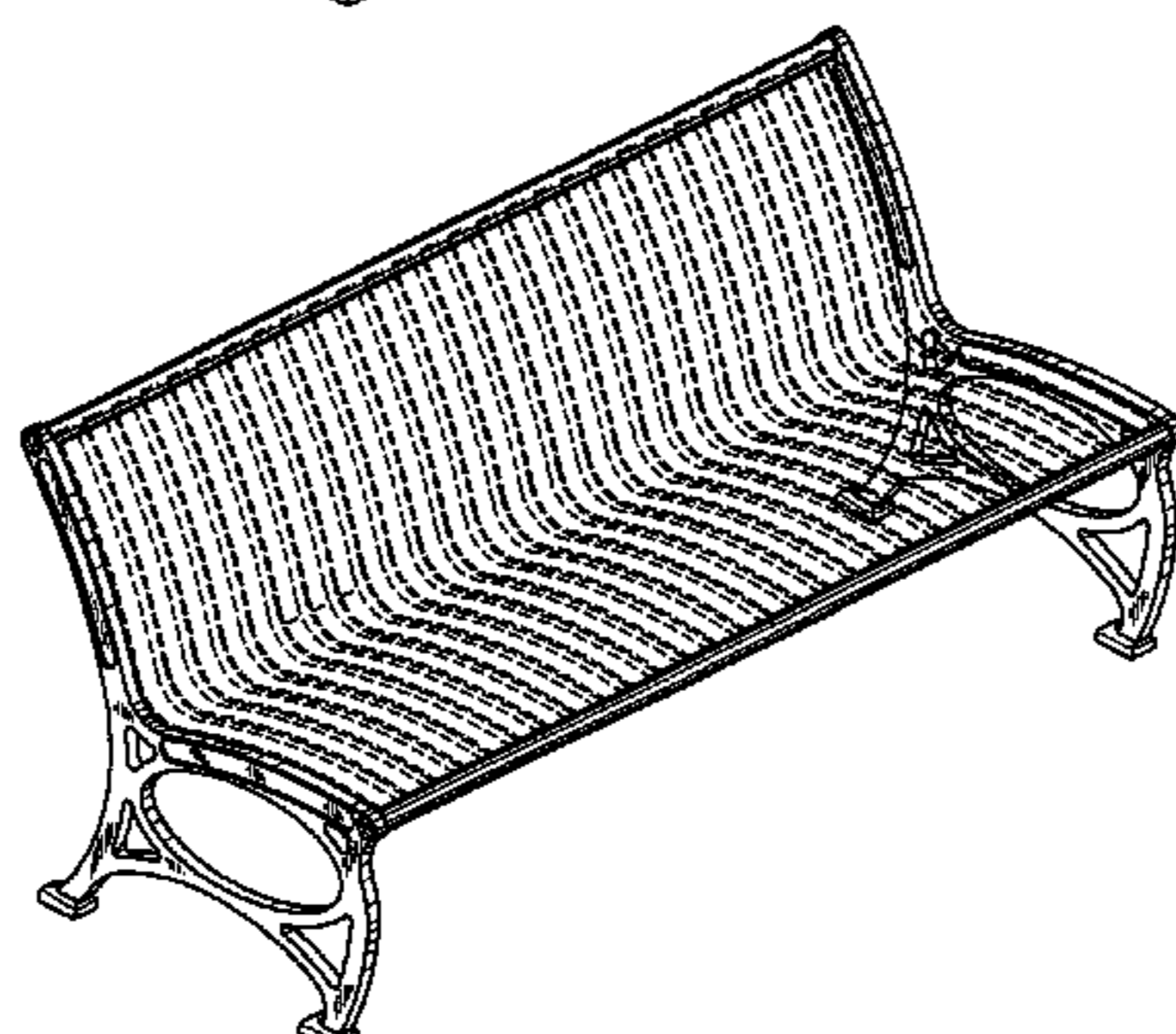
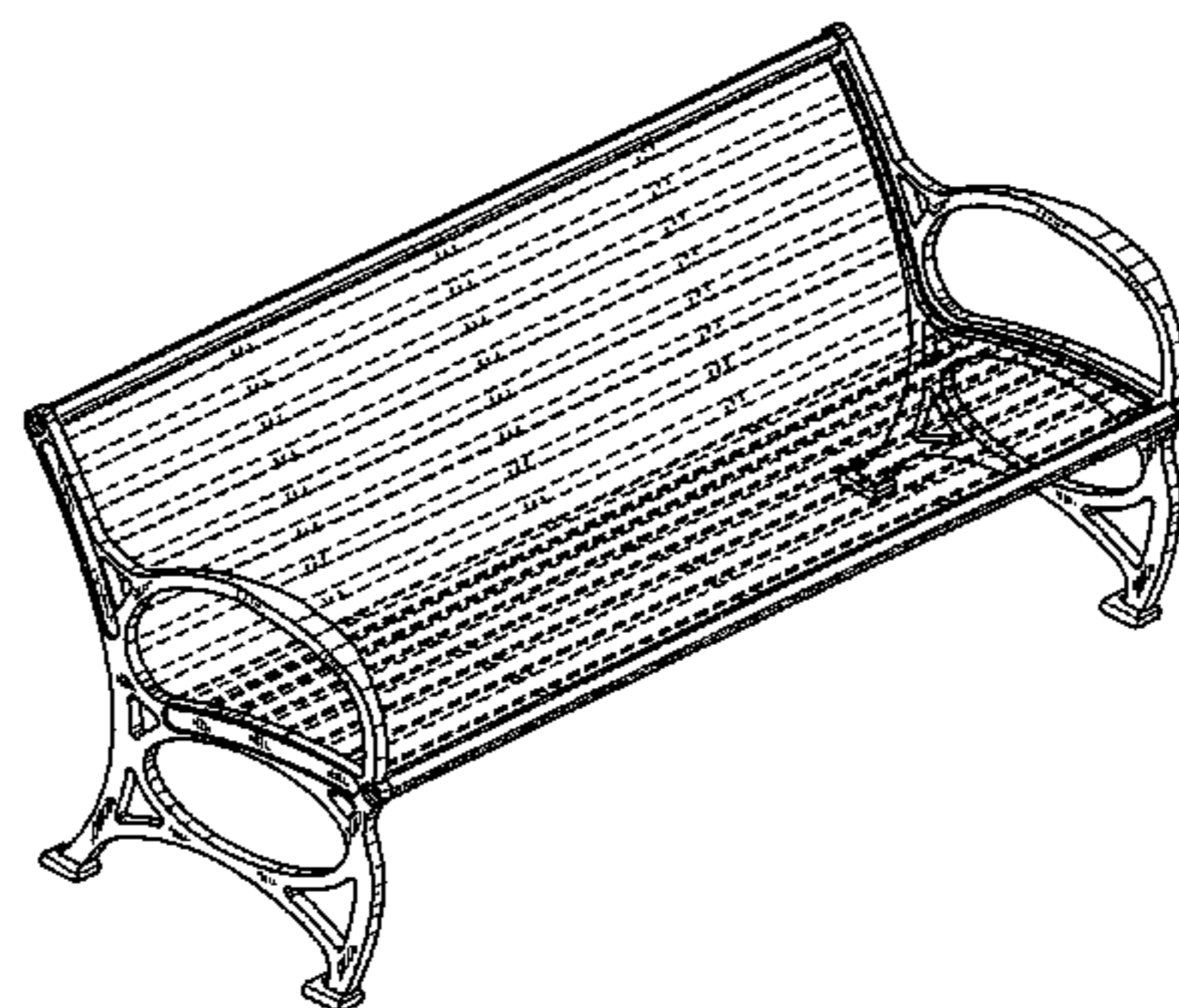
(56) **References Cited**

**U.S. PATENT DOCUMENTS**

D369,914 S *	5/1996	Kirn et al. ....	D6/355
D384,512 S *	10/1997	Skalka .....	D6/370
D419,341 S *	1/2000	Chipman .....	D6/492
D451,296 S *	12/2001	Stewart .....	D6/370
D453,424 S *	2/2002	Stewart .....	D6/349
D455,919 S *	4/2002	Stewart .....	D6/499
D457,738 S *	5/2002	Slear et al. ....	D6/355
D498,079 S *	11/2004	Messier .....	D6/381
D512,229 S *	12/2005	Reza-Hadden .....	D6/355
D523,263 S *	6/2006	Skalka .....	D6/495
D525,809 S *	8/2006	Hughes .....	D6/492
D526,805 S *	8/2006	Skalka .....	D6/381

\* cited by examiner

**1 Claim, 4 Drawing Sheets**



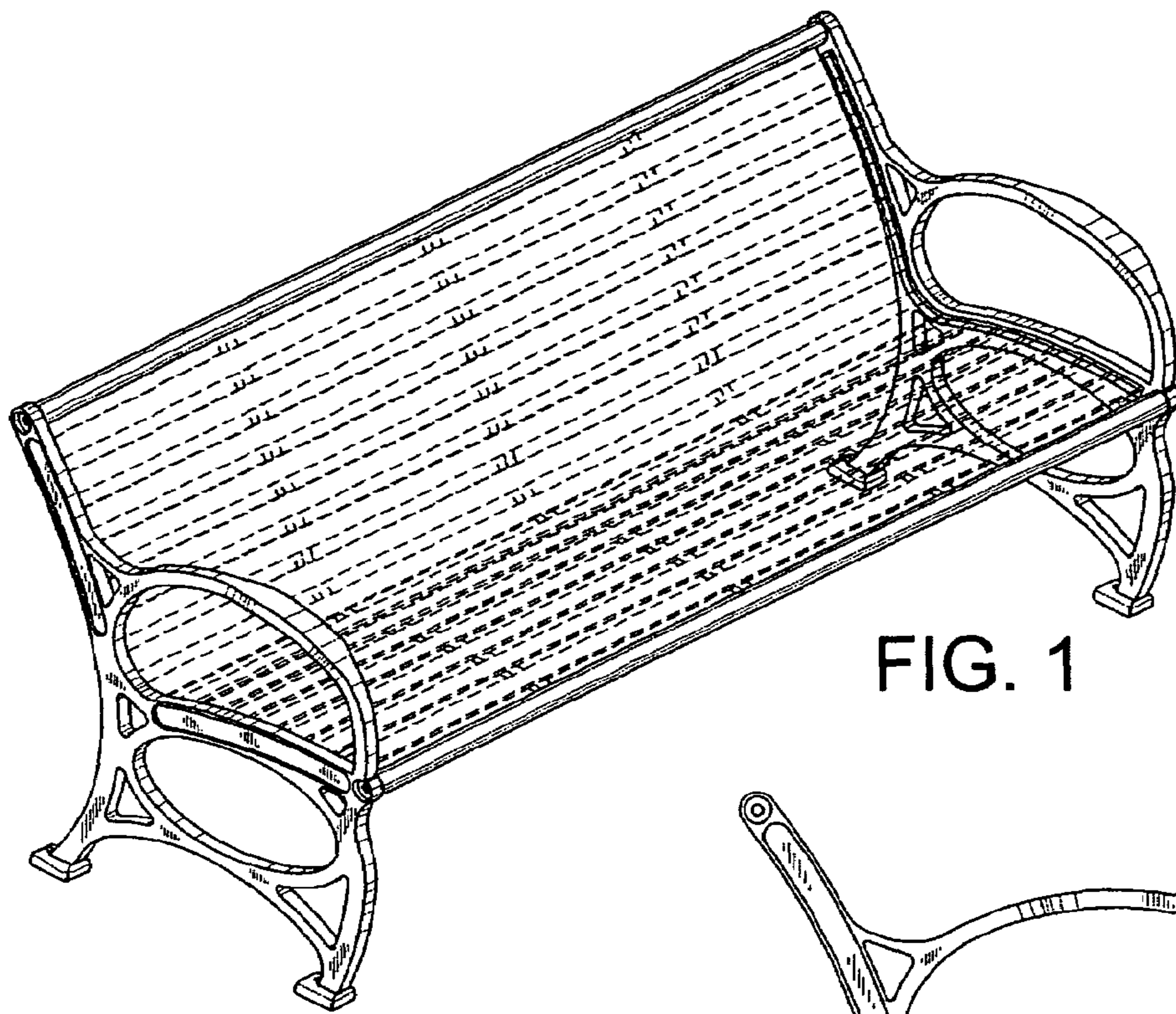


FIG. 1

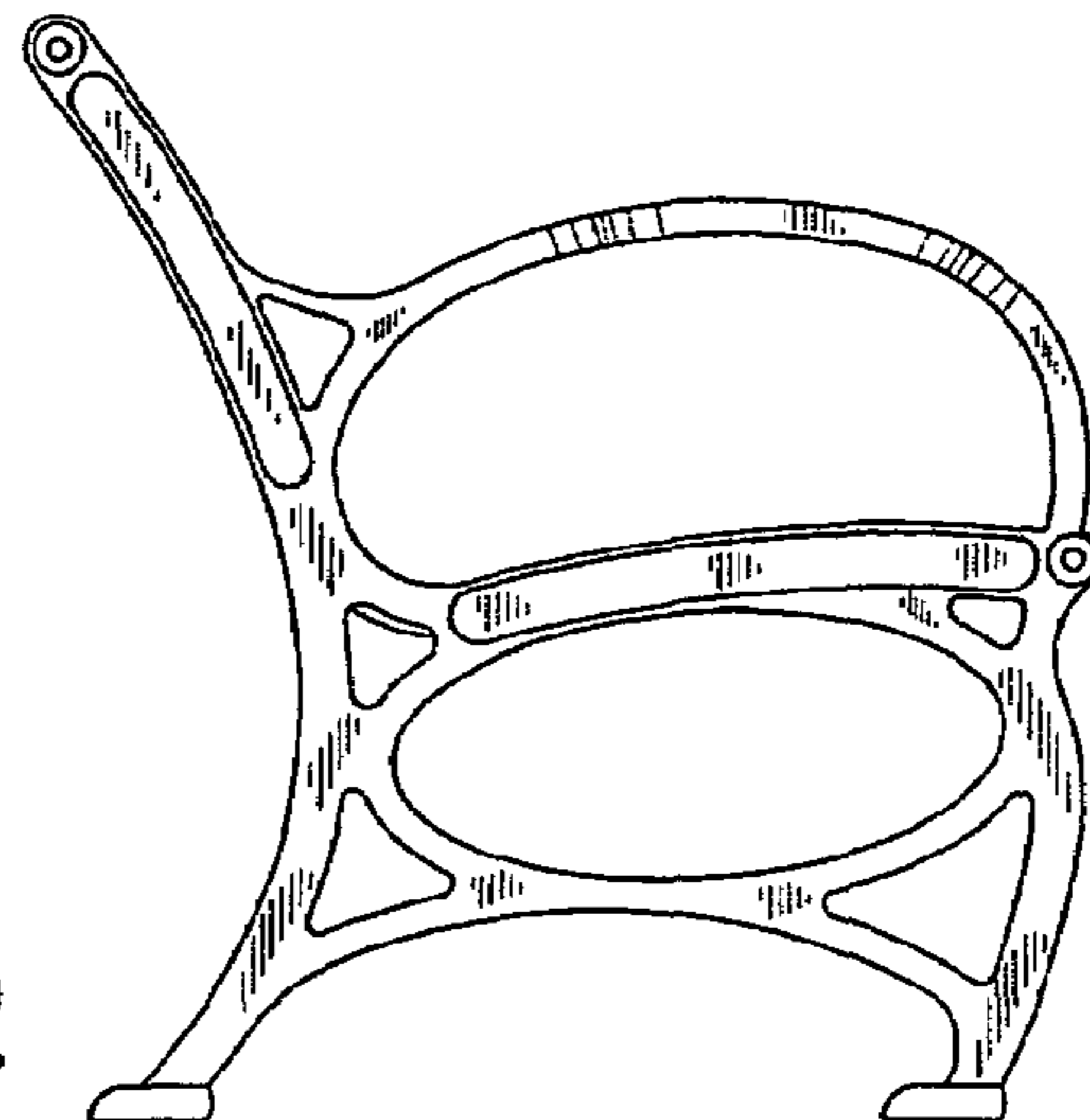


FIG. 2

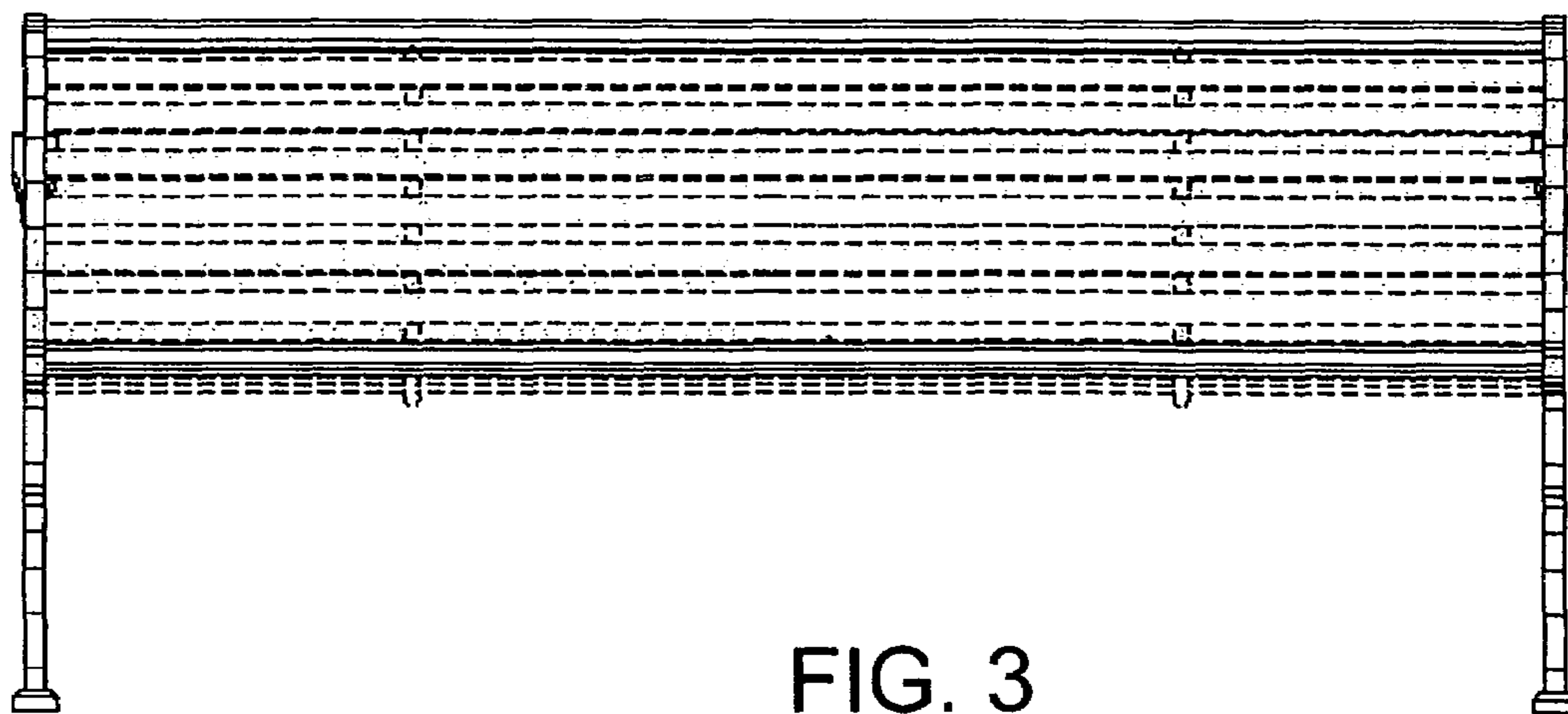


FIG. 3

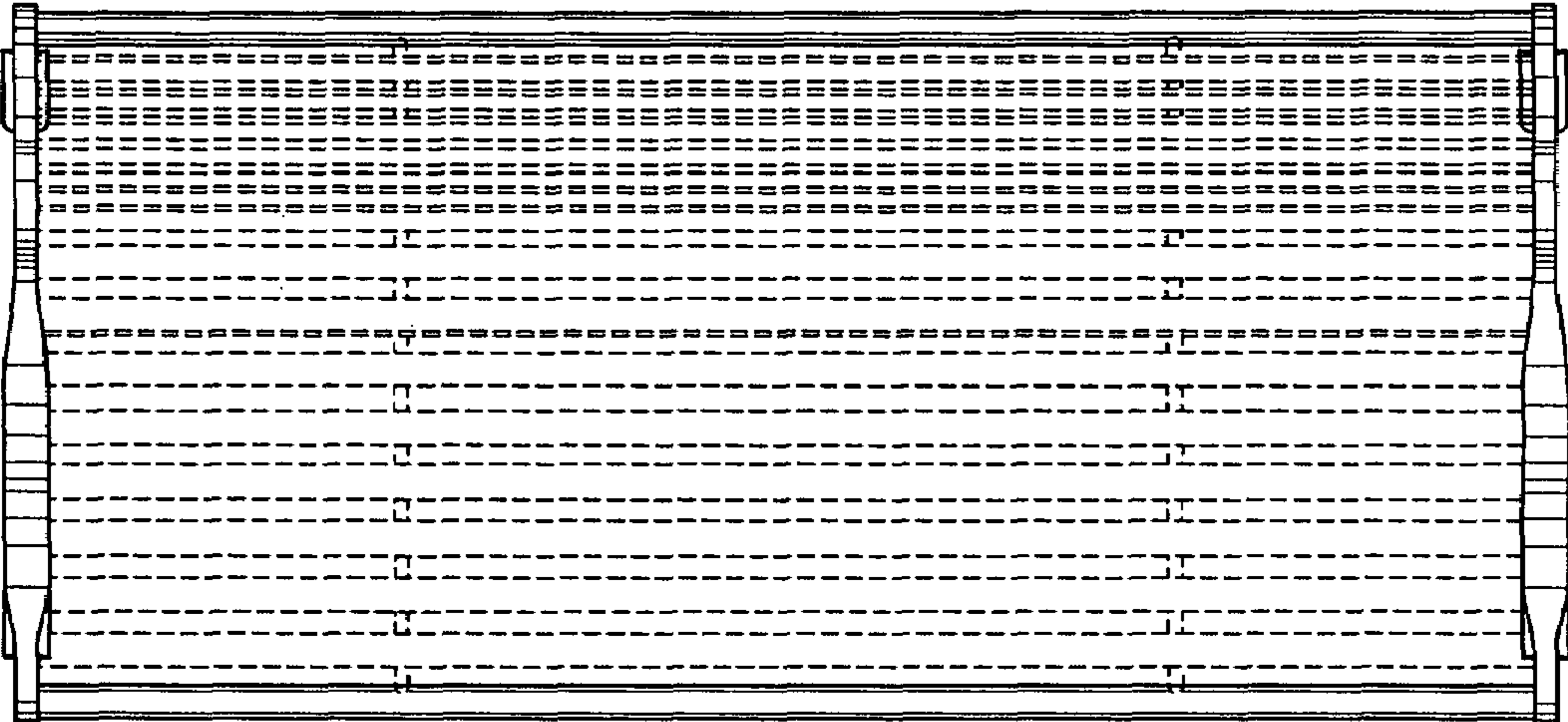


FIG. 4

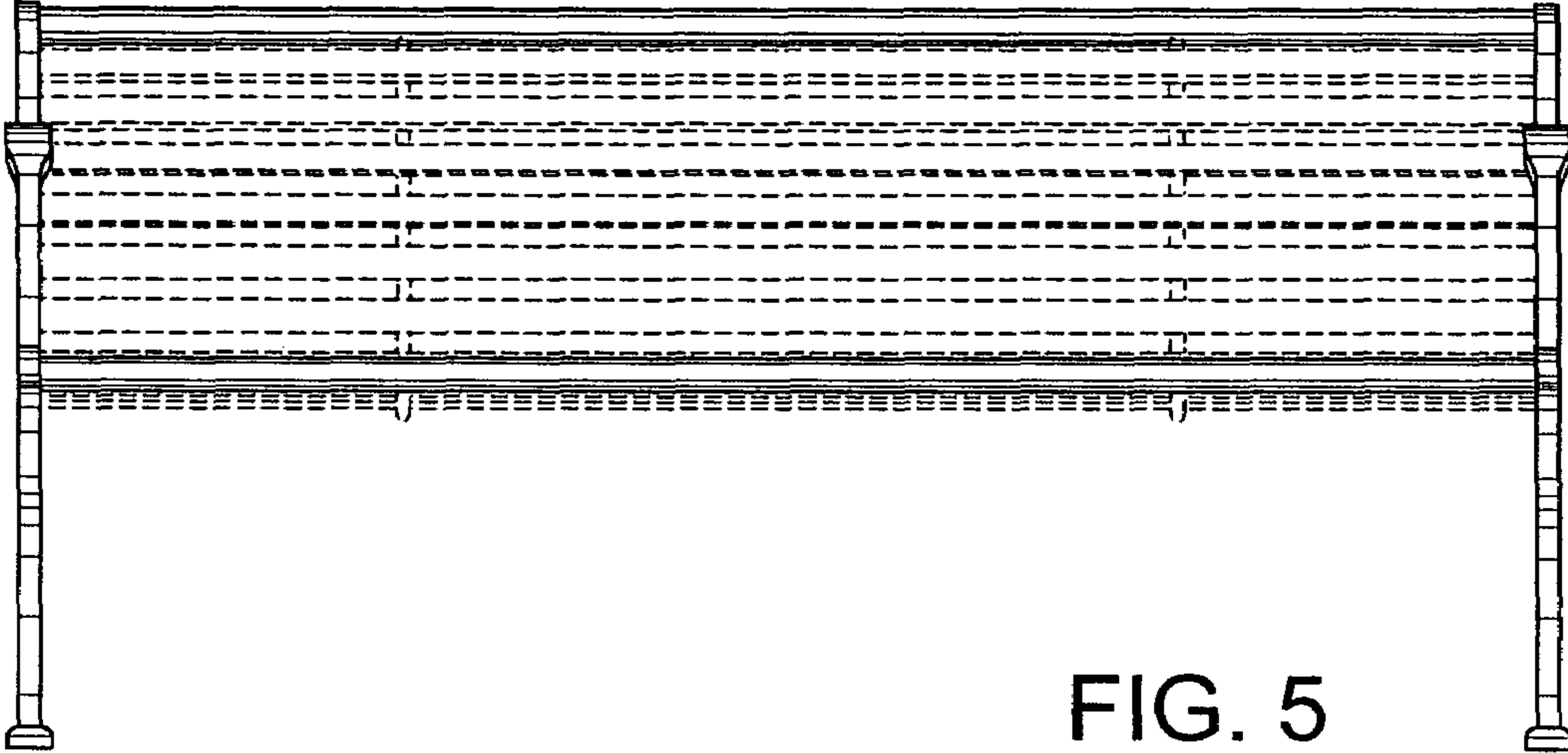


FIG. 5

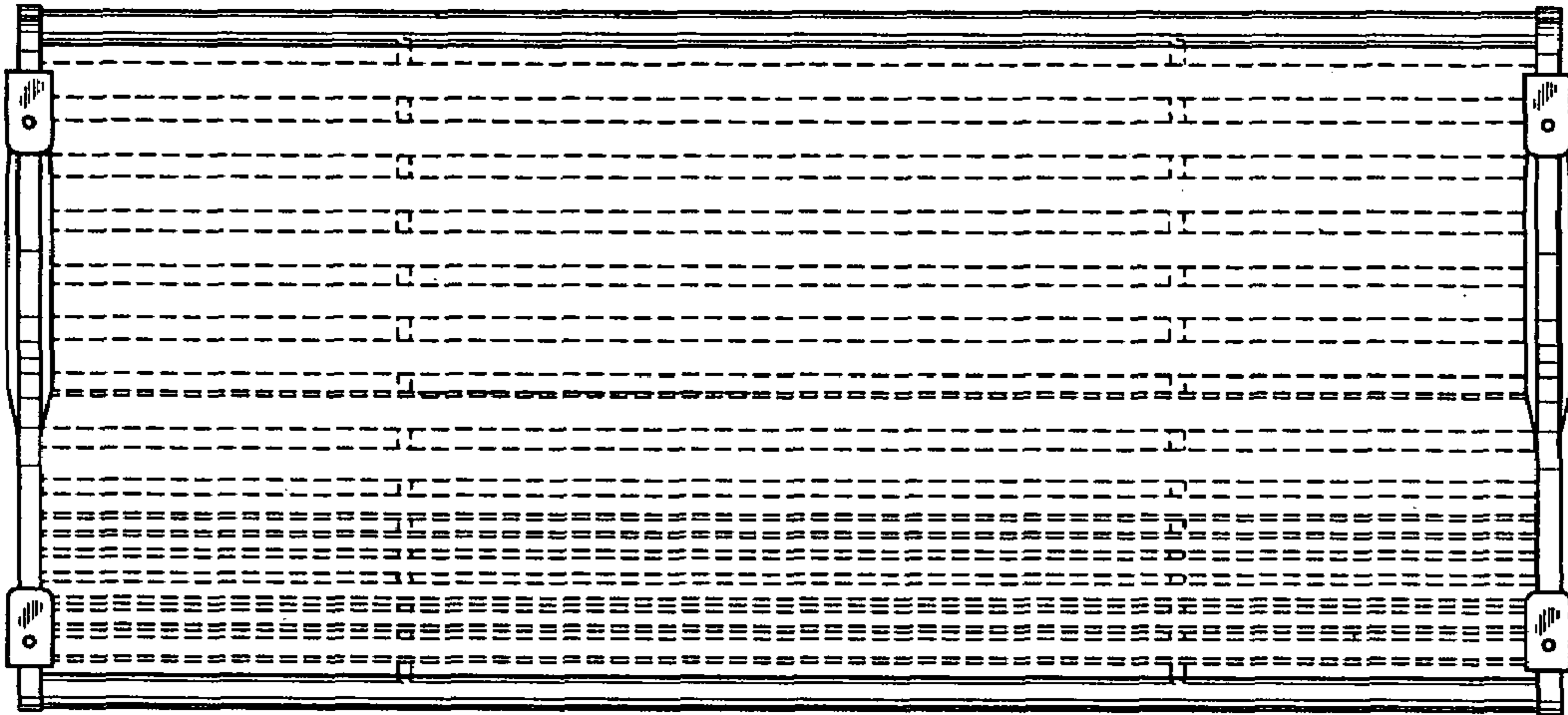


FIG. 6

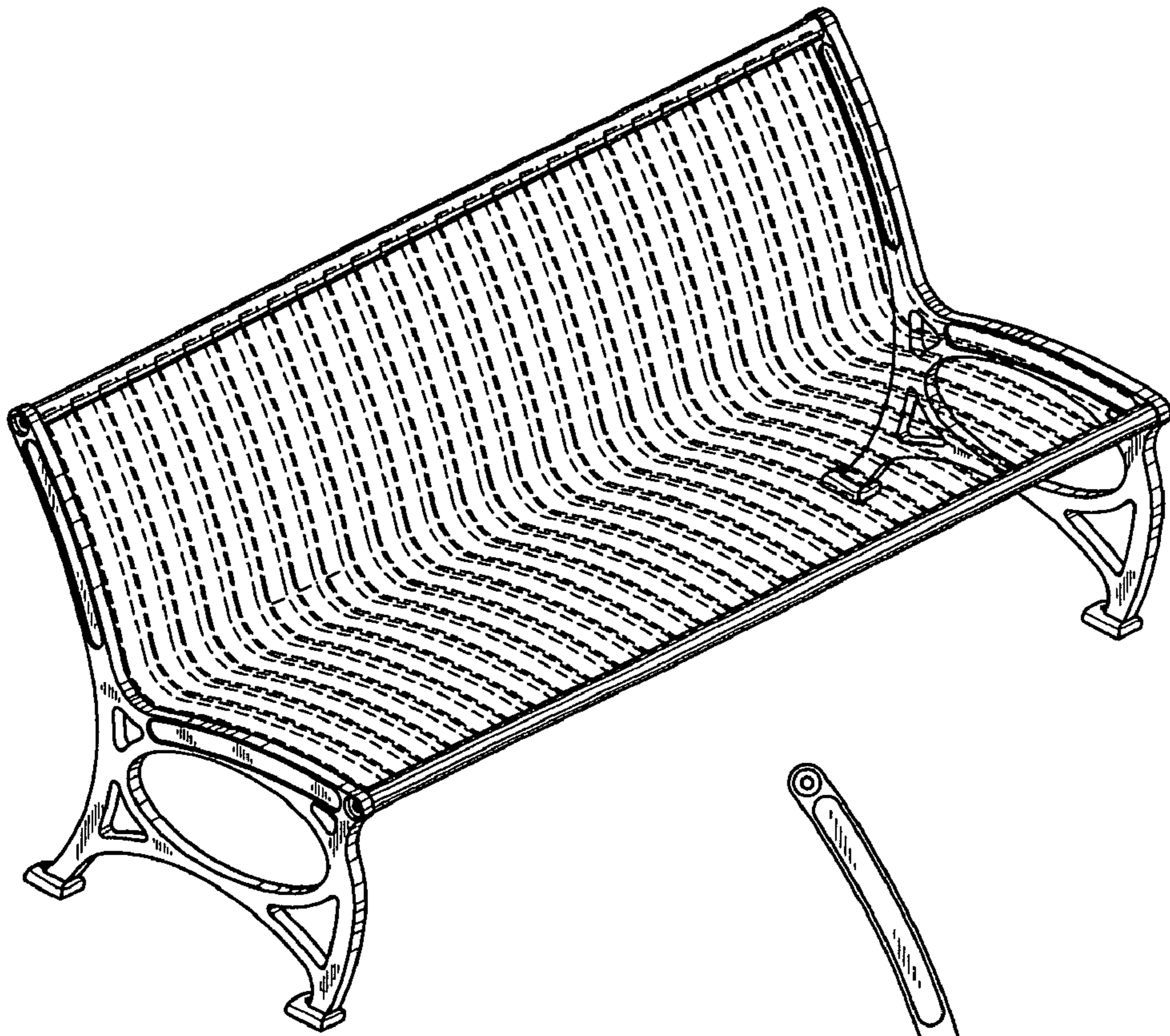


FIG. 7

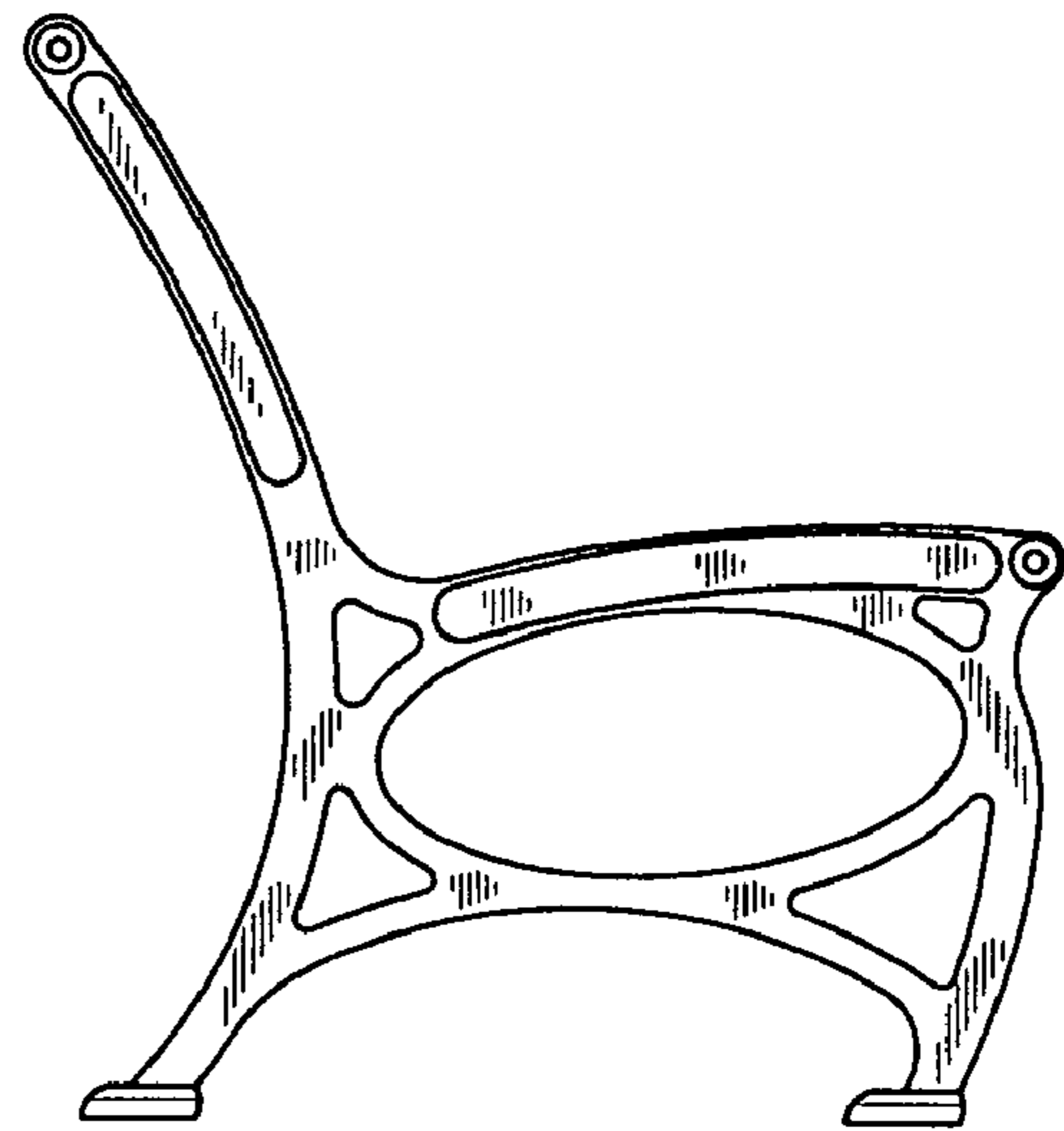


FIG. 8

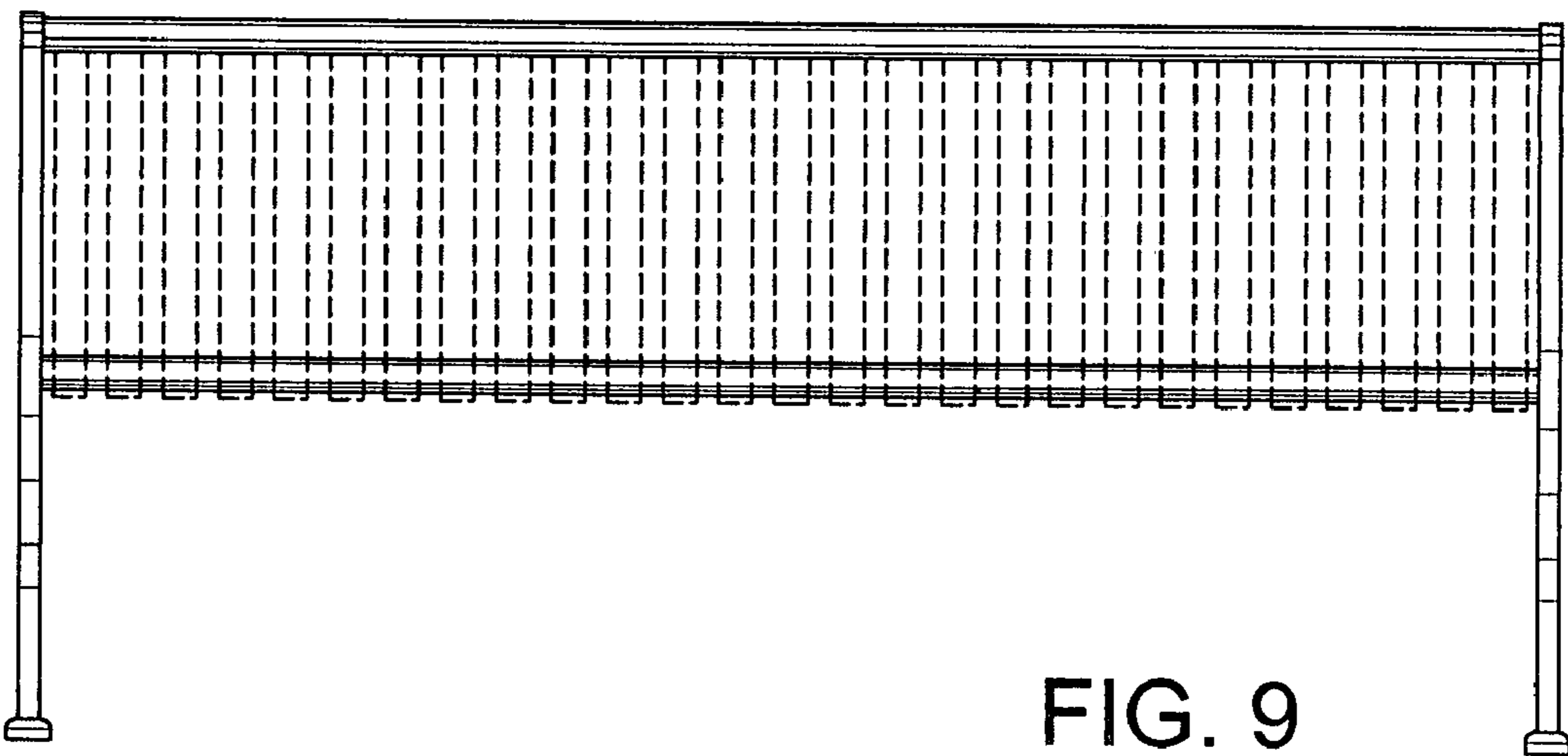


FIG. 9

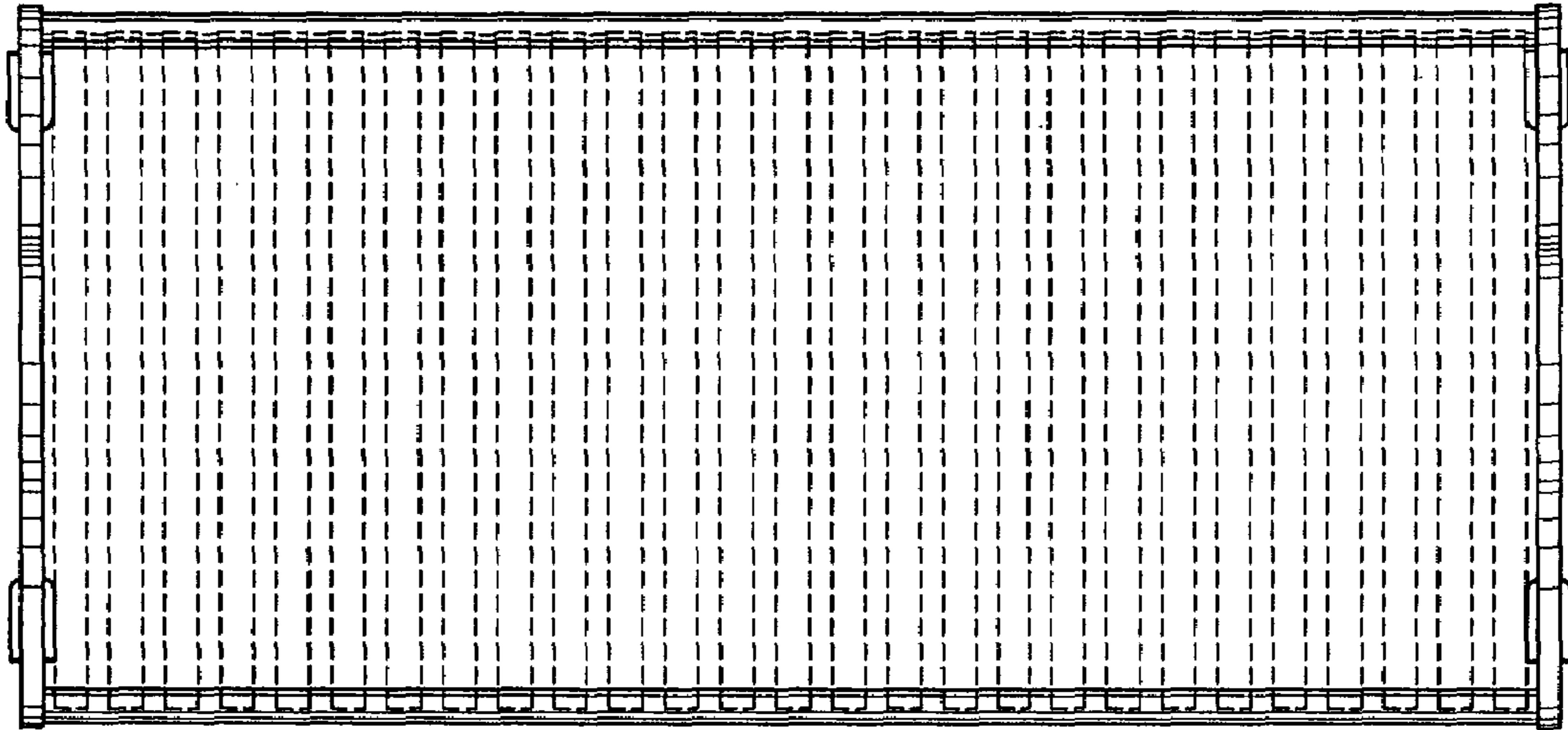


FIG. 10



FIG. 11

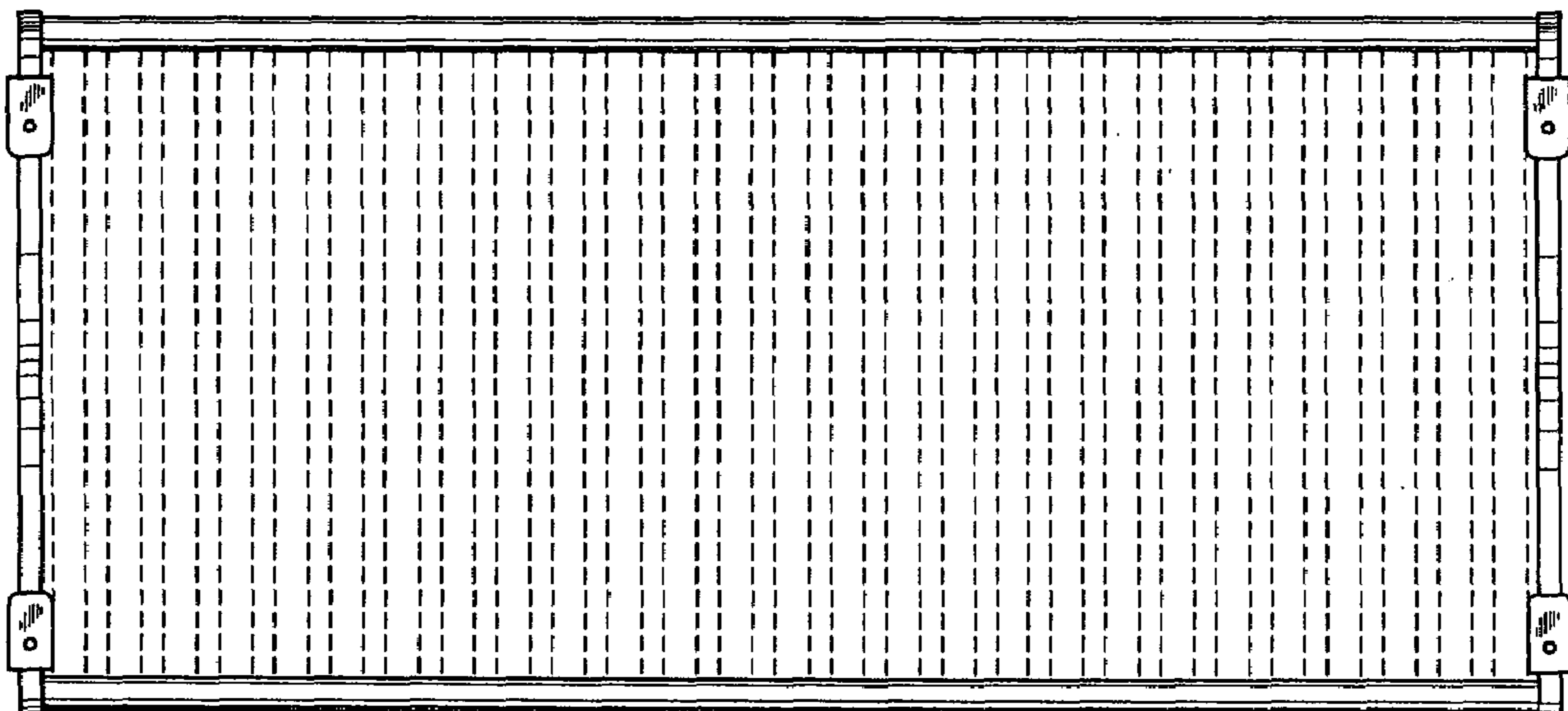


FIG. 12