



US00D578806S

(12) **United States Design Patent**
Lievore

(10) **Patent No.:** **US D578,806 S**
(45) **Date of Patent:** **** Oct. 21, 2008**

(54) **TABLE**
(75) Inventor: **Alberto Lievore**, Barcelona (ES)
(73) Assignee: **Arper S.p.A.**, Monastier Di Treviso (IT)
(**) Term: **14 Years**

2,981,578 A * 4/1961 Saarinen 108/158
D234,932 S * 4/1975 Burke D6/486
D249,300 S * 9/1978 Szabo et al. D6/486
D436,270 S * 1/2001 Kane D6/486
D482,909 S * 12/2003 Neggers D6/486
D543,732 S * 6/2007 Alter Molina D6/486

(21) Appl. No.: **29/280,127**
(22) Filed: **May 17, 2007**

* cited by examiner

Related U.S. Application Data

Primary Examiner—Janice E Seeger
(74) *Attorney, Agent, or Firm*—Scully, Scott, Murphy & Presser, P.C.

(62) Division of application No. 29/241,489, filed on Oct. 27, 2005.

(57) **CLAIM**

The ornamental design for a “table”, as shown and described.

(30) **Foreign Application Priority Data**

DESCRIPTION

May 6, 2005 (EM) 338645

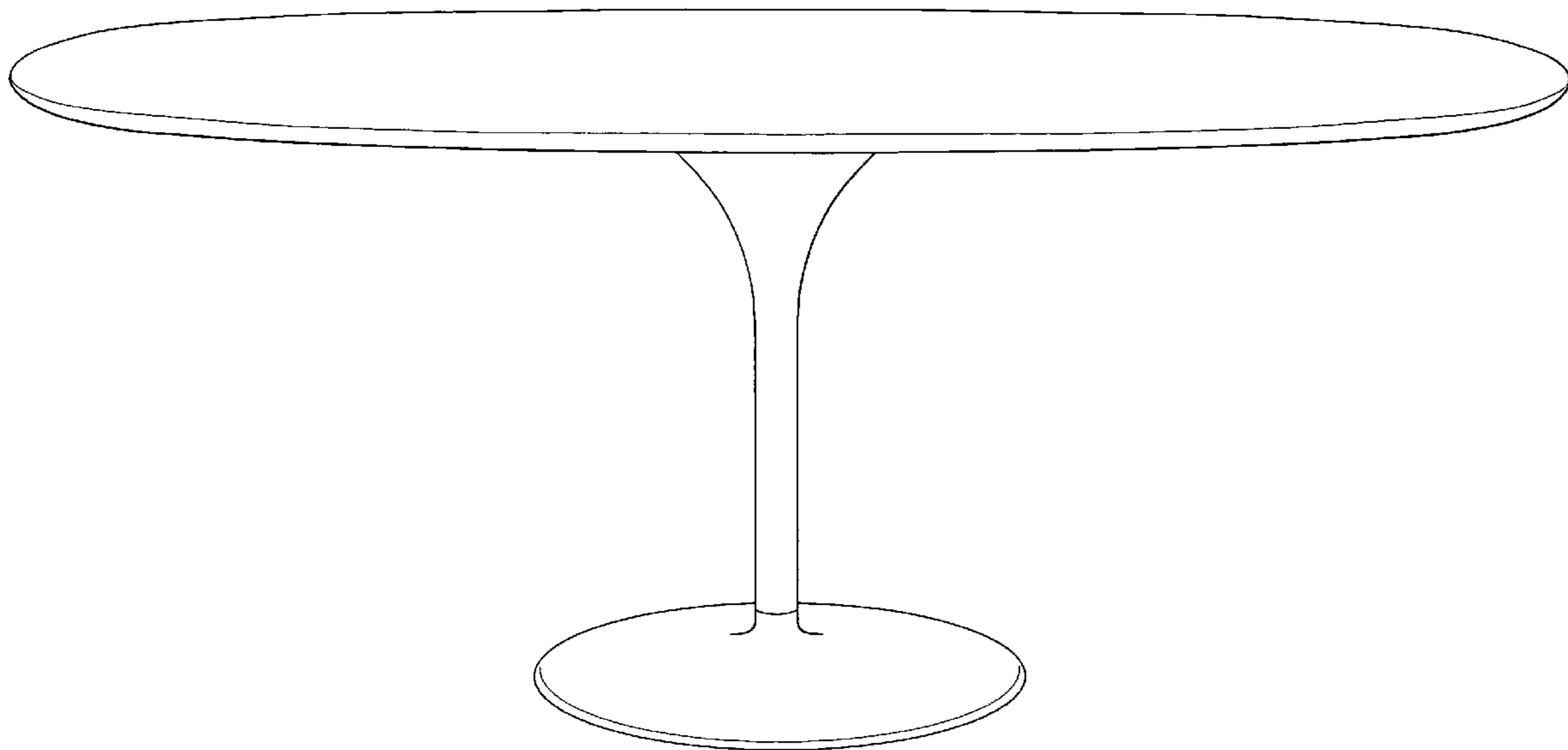
(51) **LOC (8) Cl.** **06-03**
(52) **U.S. Cl.** **D6/486**
(58) **Field of Classification Search** D6/480–489,
D6/495–499, 511; 108/150, 151, 153.1,
108/155, 156, 157.1, 161; 248/188, 188.1,
248/188.7, 188.8
See application file for complete search history.

FIG. 1 is a bottom plan view of the a “table”, showing my new and ornamental design;
FIG. 2 is an end view, the opposite end being a mirror-image thereof;
FIG. 3 is a front side view, the opposite side being a mirror-image thereof;
FIG. 4 is a top plan view thereof; and,
FIG. 5 is a front and top perspective view thereof.

(56) **References Cited**
U.S. PATENT DOCUMENTS

D187,797 S * 5/1960 Saarinen D6/495

1 Claim, 5 Drawing Sheets



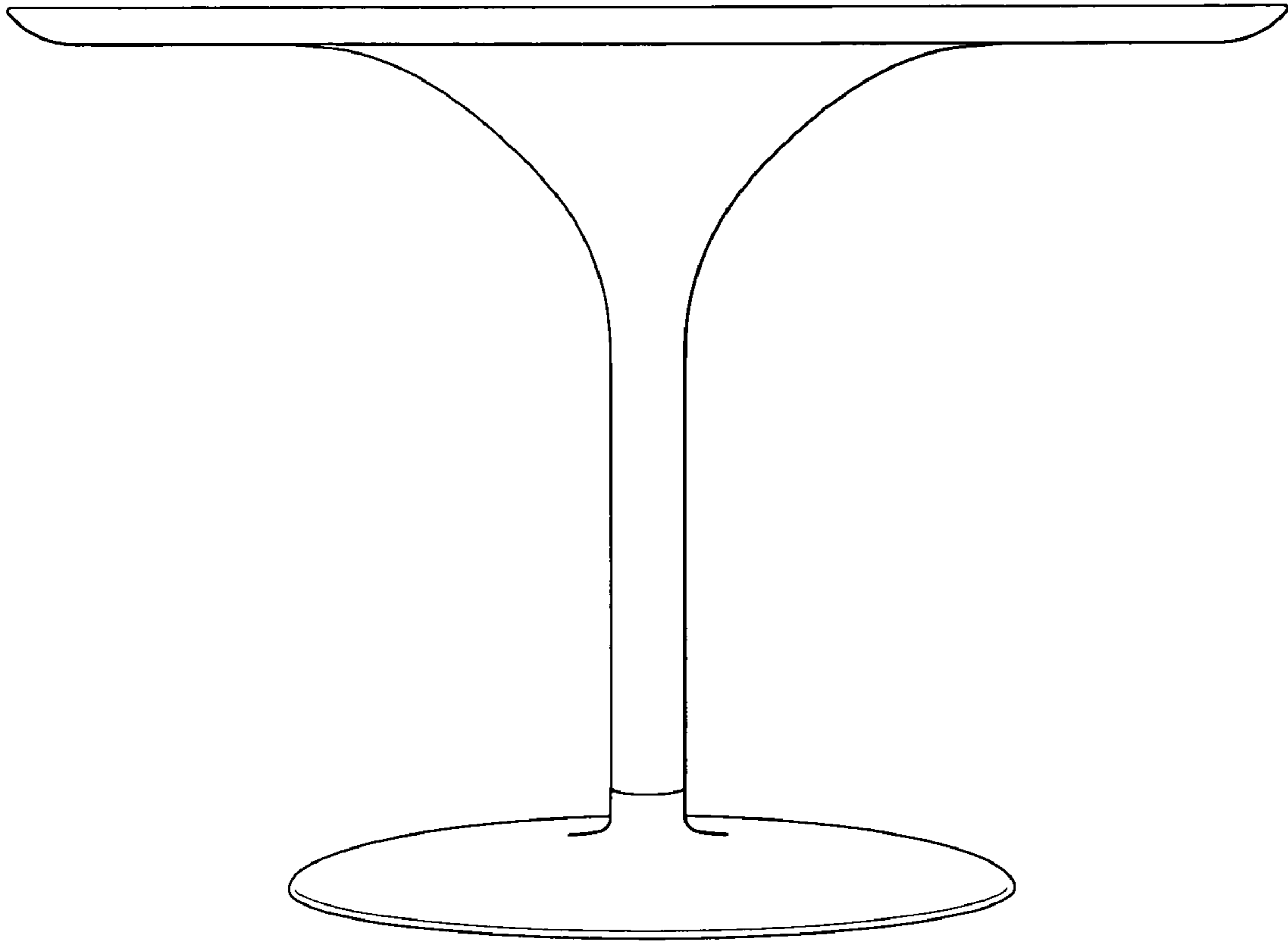


Fig. 1

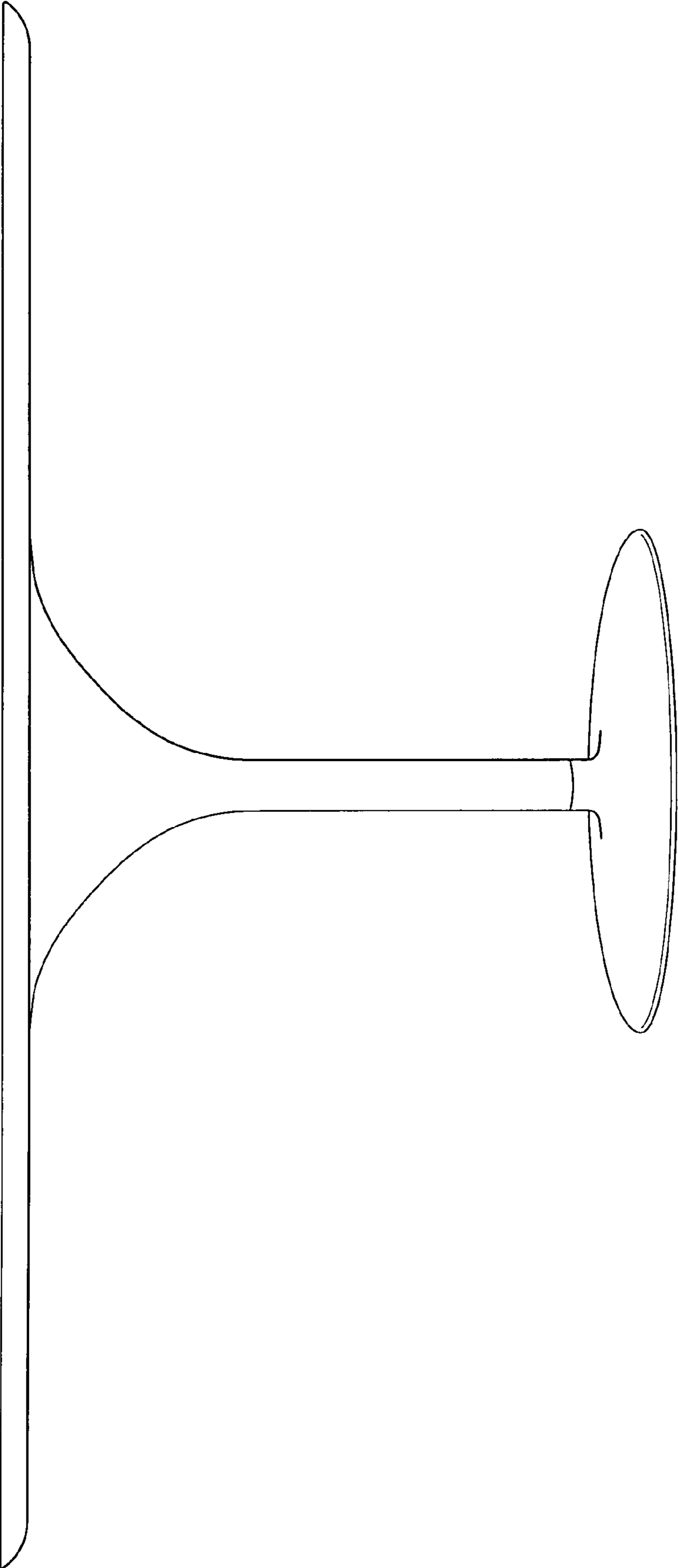


Fig. 2

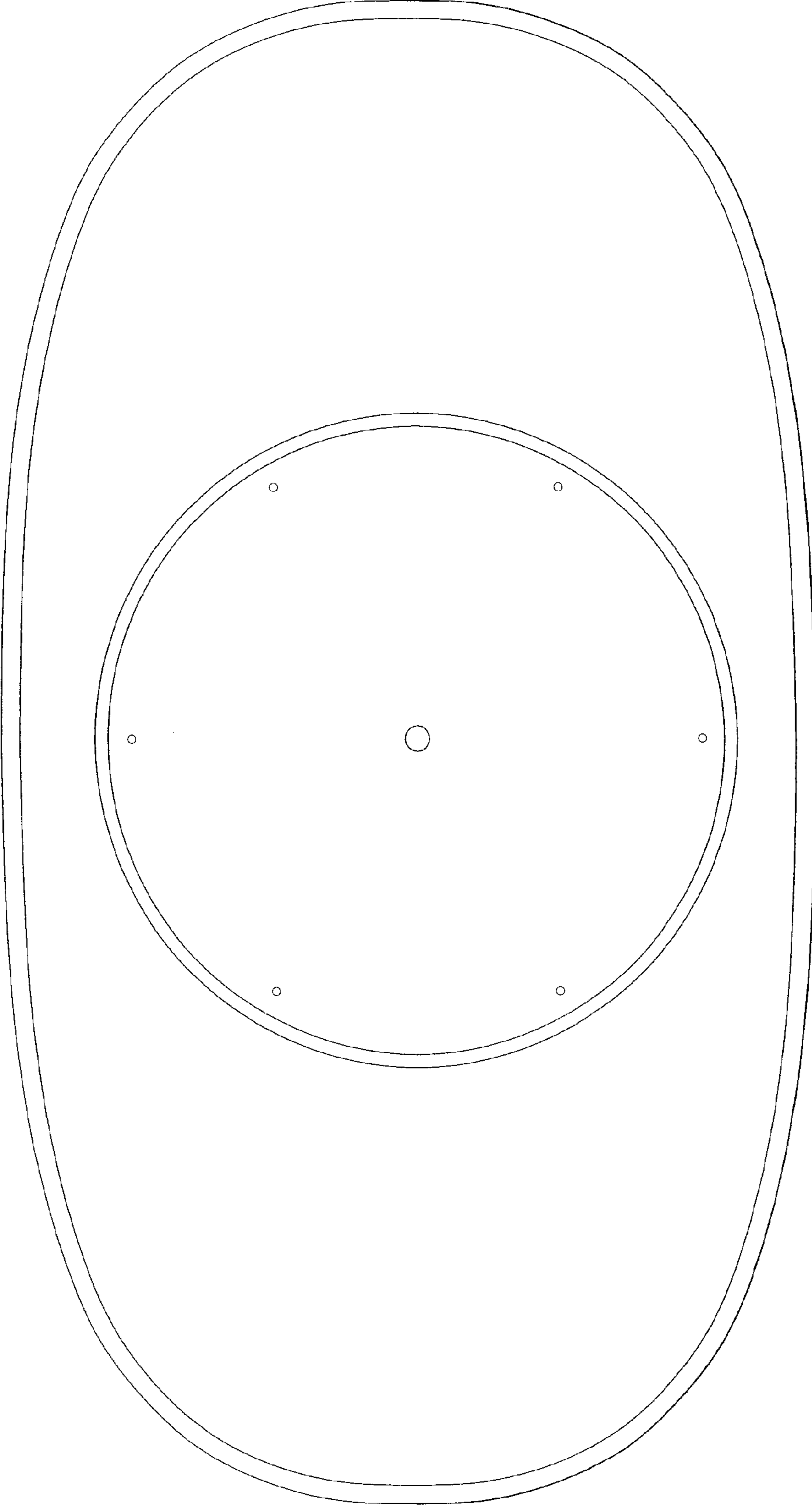


Fig. 3

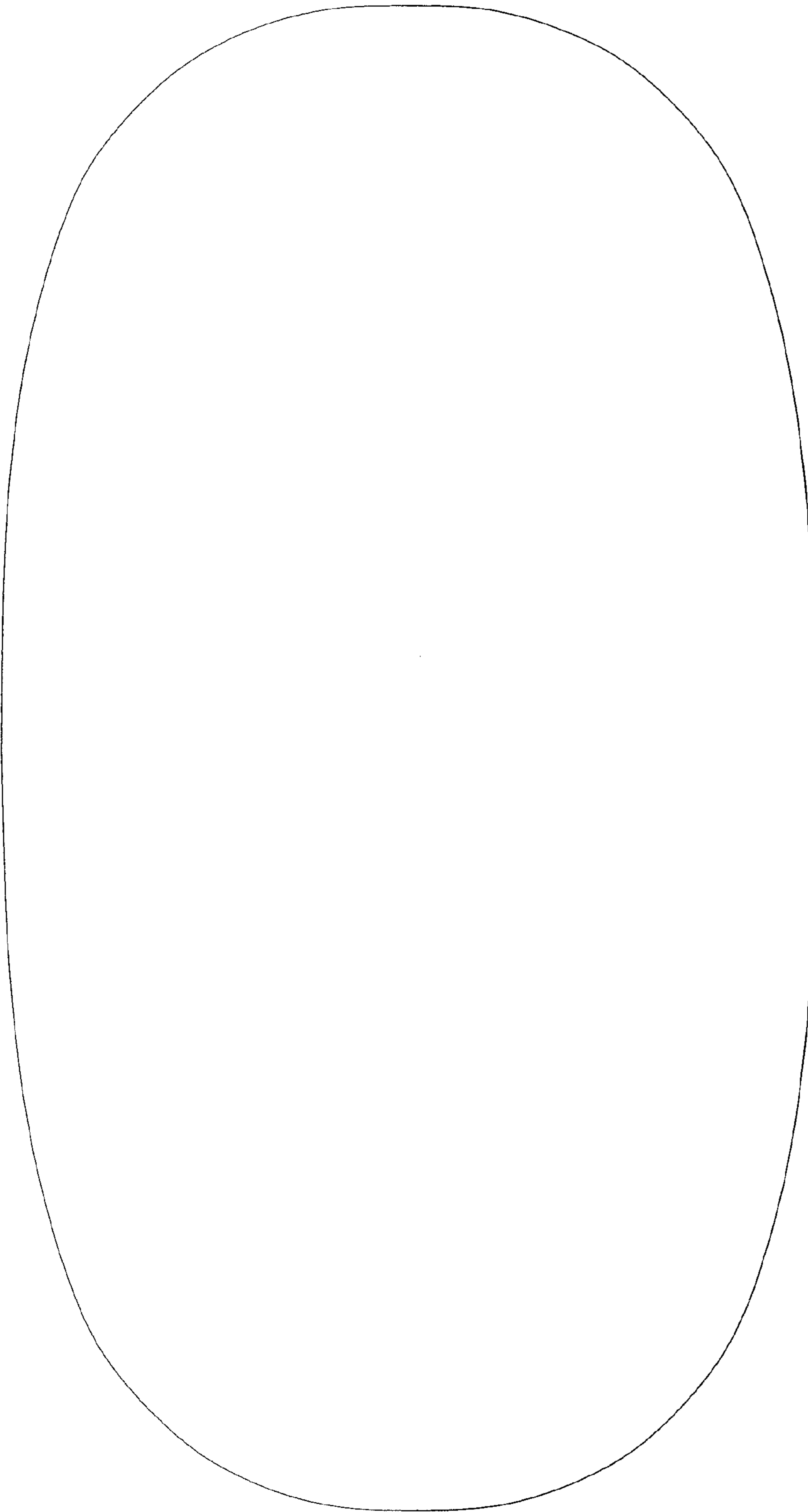


Fig. 4

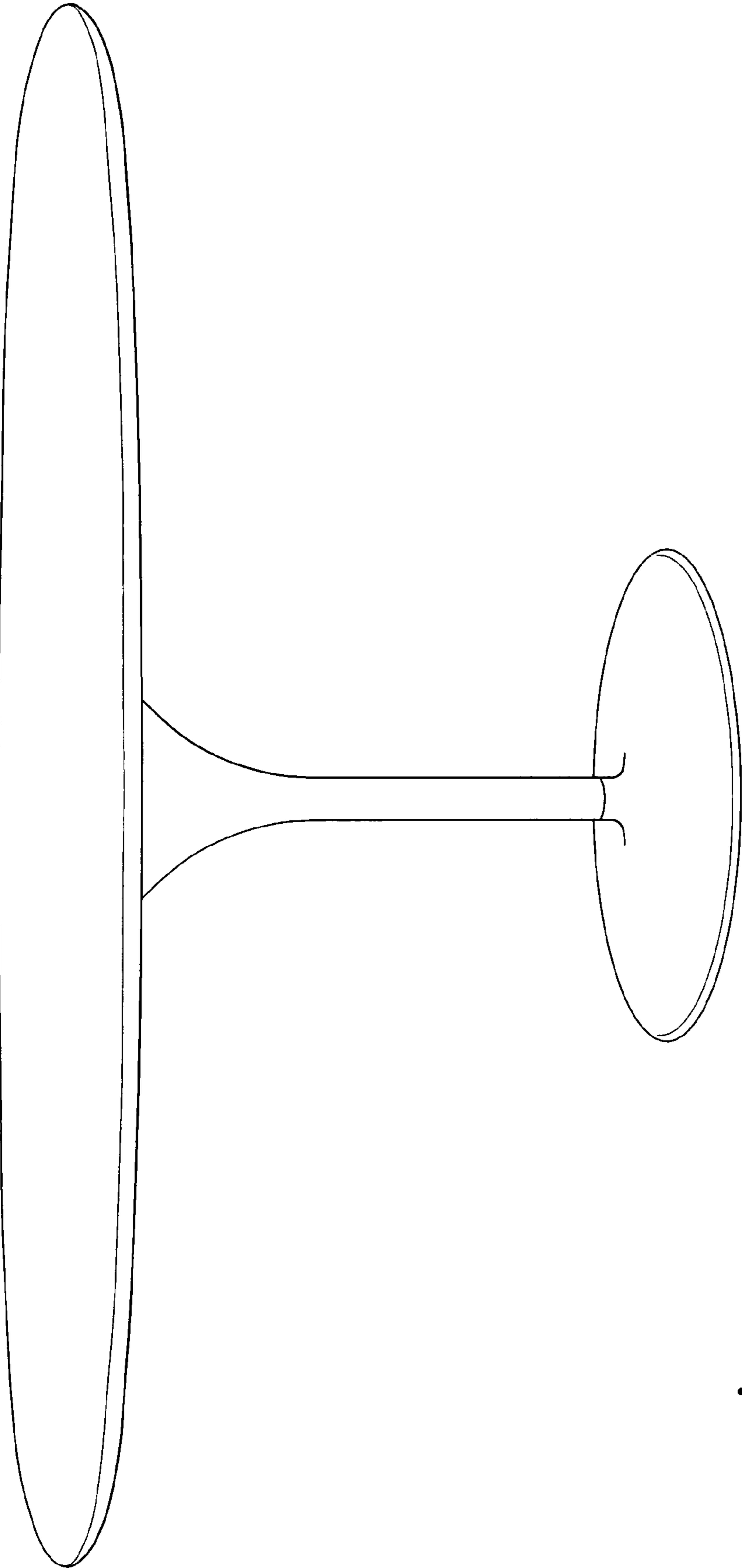


Fig. 5