



US00D578803S

(12) **United States Design Patent**
Mori et al.

(10) **Patent No.:** **US D578,803 S**
(45) **Date of Patent:** **** Oct. 21, 2008**

(54) **INSTRUMENT STAND**

(75) Inventors: **Yoshiaki Mori**, Hamamatsu (JP); **Koichi Nakao**, Hamamatsu (JP)

(73) Assignee: **Roland Corporation**, Hamamatsu (JP)

(**) Term: **14 Years**

(21) Appl. No.: **29/281,692**

(22) Filed: **Jun. 28, 2007**

(51) **LOC (8) Cl.** **06-04**

(52) **U.S. Cl.** **D6/462**

(58) **Field of Classification Search** D6/462,
D6/449, 457, 552, 458-468, 495, 411; 248/127,
248/122.1, 146, 163.1, 176.1, 153, 125.1;
211/13.1, 182, 205, 37, 60.1, 85.6; D17/20,
D17/22, 99; 108/28, 76; D14/227, 229;
84/327, 329, 422.1, 422.2, 422.3
See application file for complete search history.

(56) **References Cited**

U.S. PATENT DOCUMENTS

- D229,132 S * 11/1973 Uroshevich D6/431
- D236,227 S * 8/1975 Kester, Jr. D6/431
- 4,671,479 A * 6/1987 Johnson et al. 248/173
- D325,440 S * 4/1992 Landis et al. D24/185
- D327,901 S * 7/1992 Chen D17/22
- D423,036 S * 4/2000 Lombardi D17/22
- D435,365 S * 12/2000 Eason et al. D6/466

- 6,685,145 B2 * 2/2004 Mackay et al. 248/125.1
- D506,774 S * 6/2005 Stevens D17/99
- D523,260 S * 6/2006 Sciandra D6/462
- D570,618 S * 6/2008 Tai D6/431

* cited by examiner

Primary Examiner—Caron D. Veynar

Assistant Examiner—Abraham Bahta

(74) *Attorney, Agent, or Firm*—Foley & Lardner LLP

(57) **CLAIM**

We claim the ornamental design for an instrument stand, as shown and described.

DESCRIPTION

FIG. 1 is a front view of the instrument stand showing our new design;

FIG. 2 is a rear view thereof;

FIG. 3 is a top view thereof;

FIG. 4 is a bottom view thereof;

FIG. 5 is a left-side view thereof;

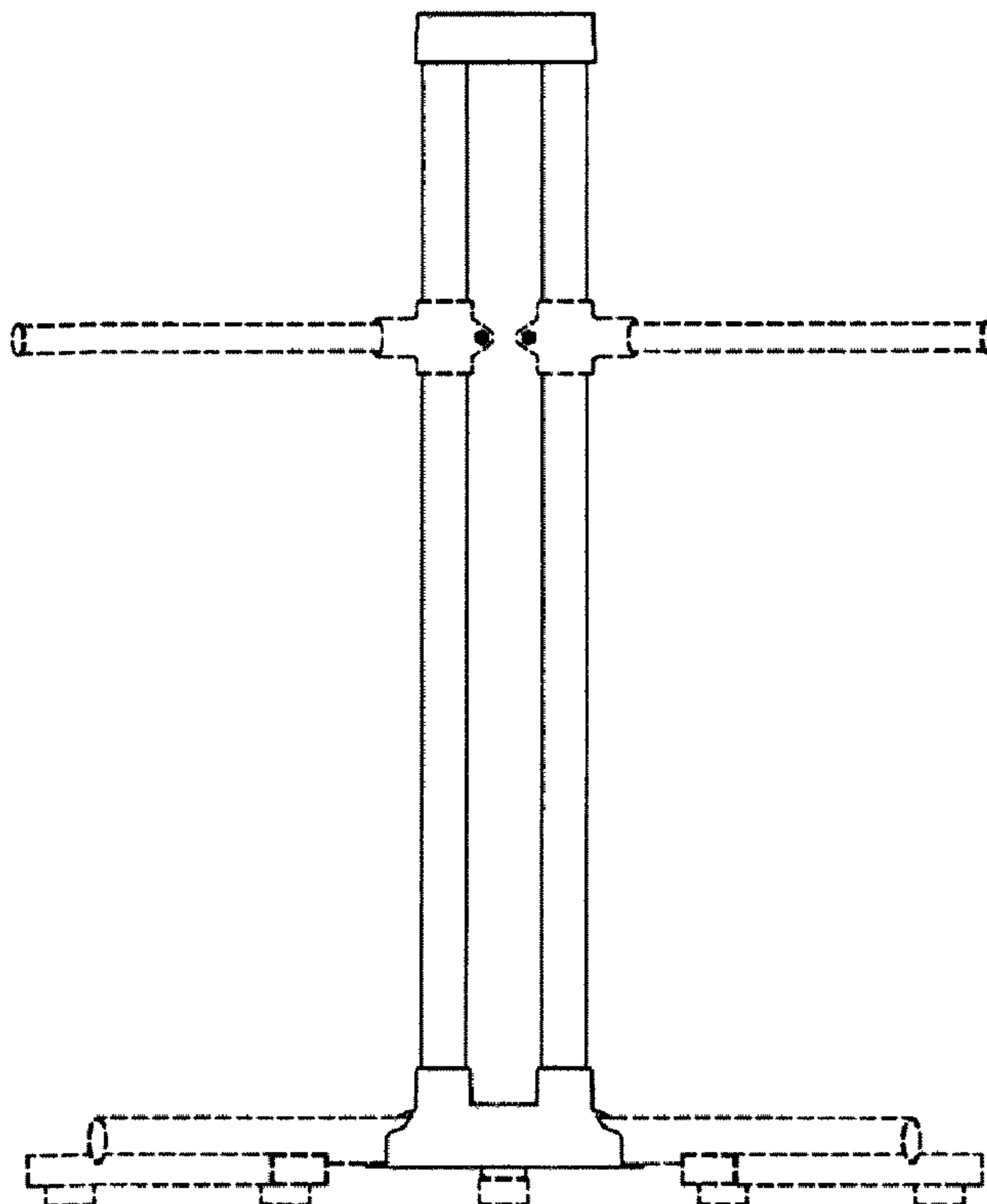
FIG. 6 is a right-side view thereof;

FIG. 7 is a perspective view thereof; and,

FIG. 8 is another perspective thereof.

The broken lines in the drawings are for illustrative purposes only and form no part of the claimed design.

1 Claim, 4 Drawing Sheets



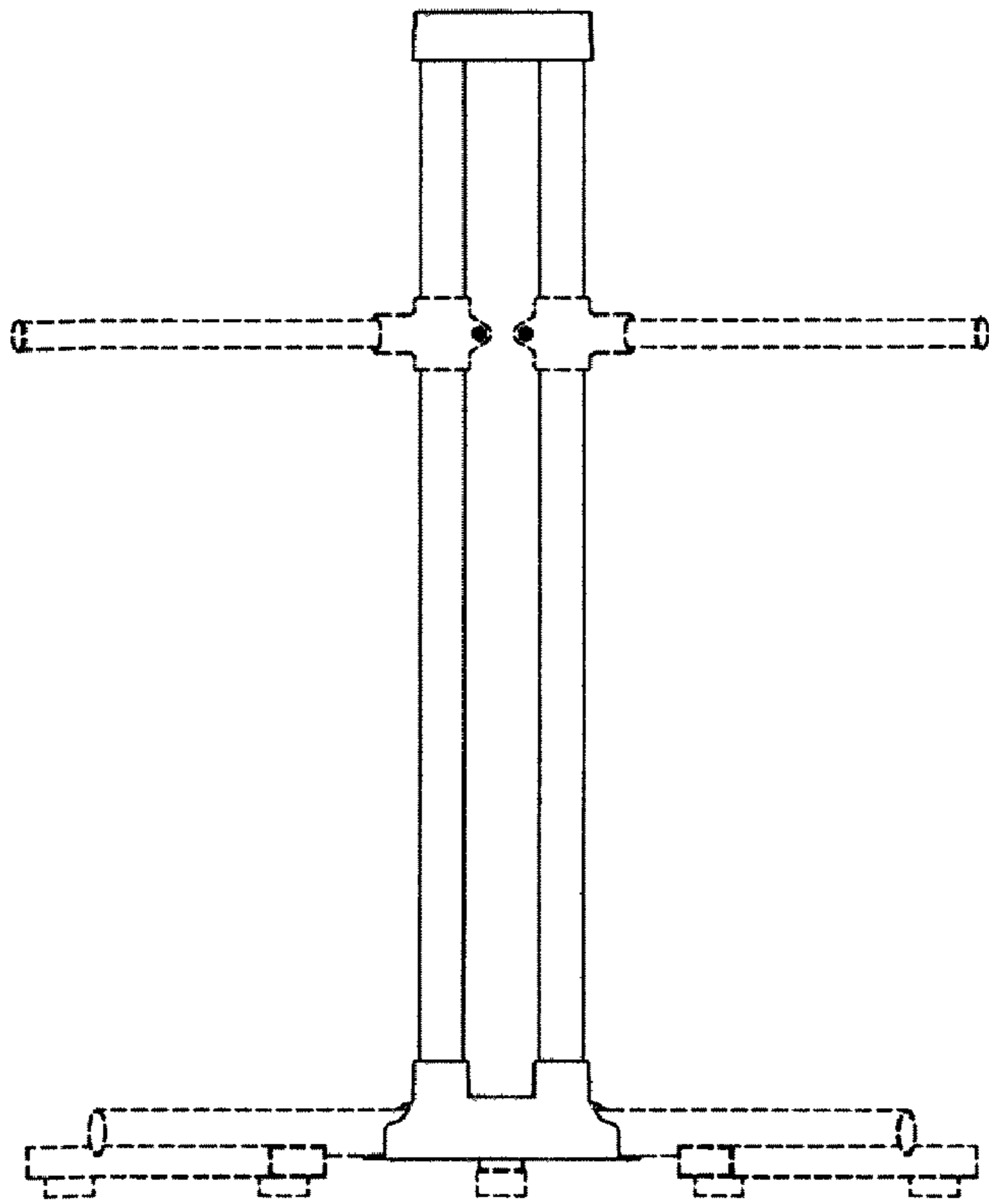


FIG. 1

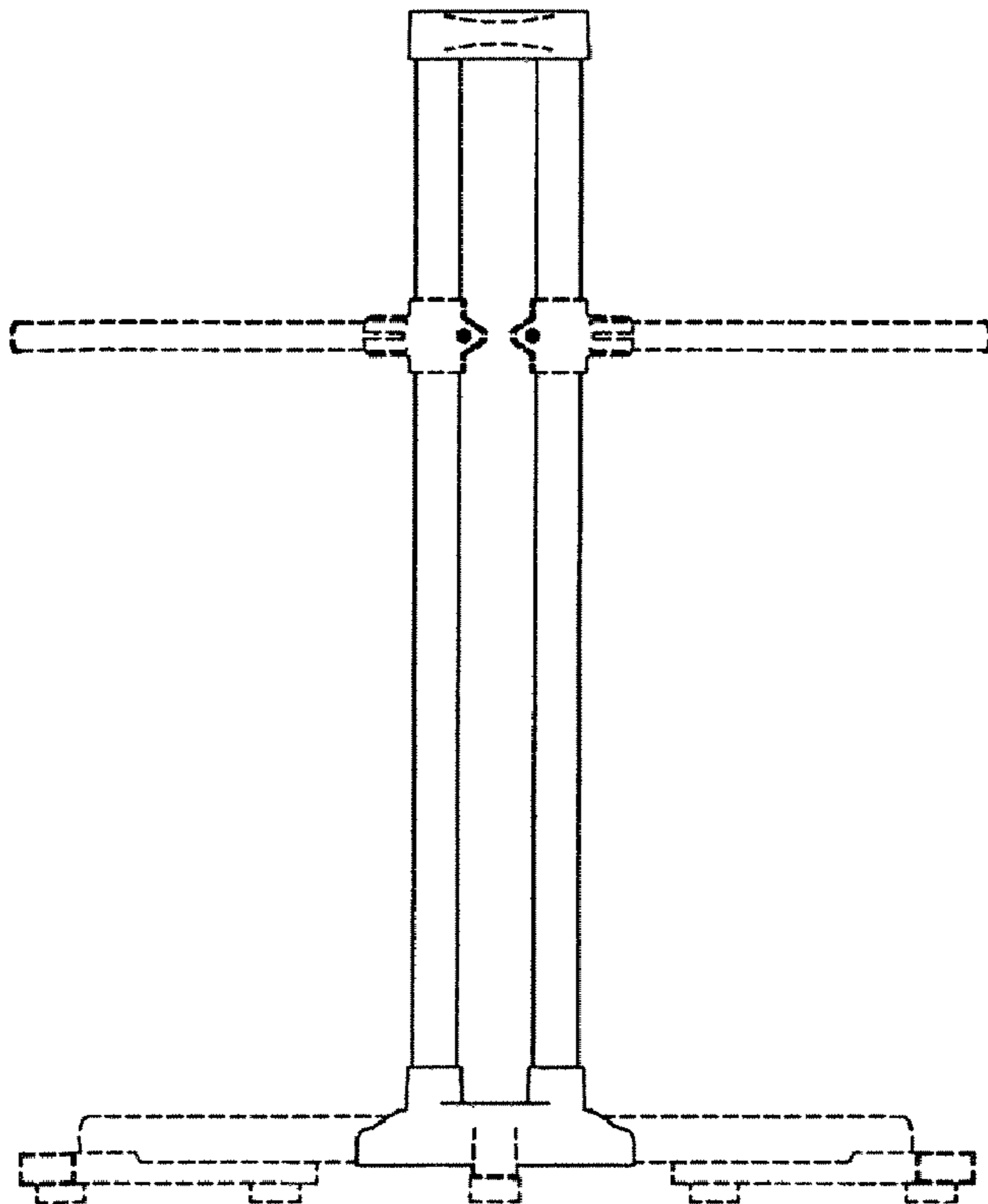


FIG. 2

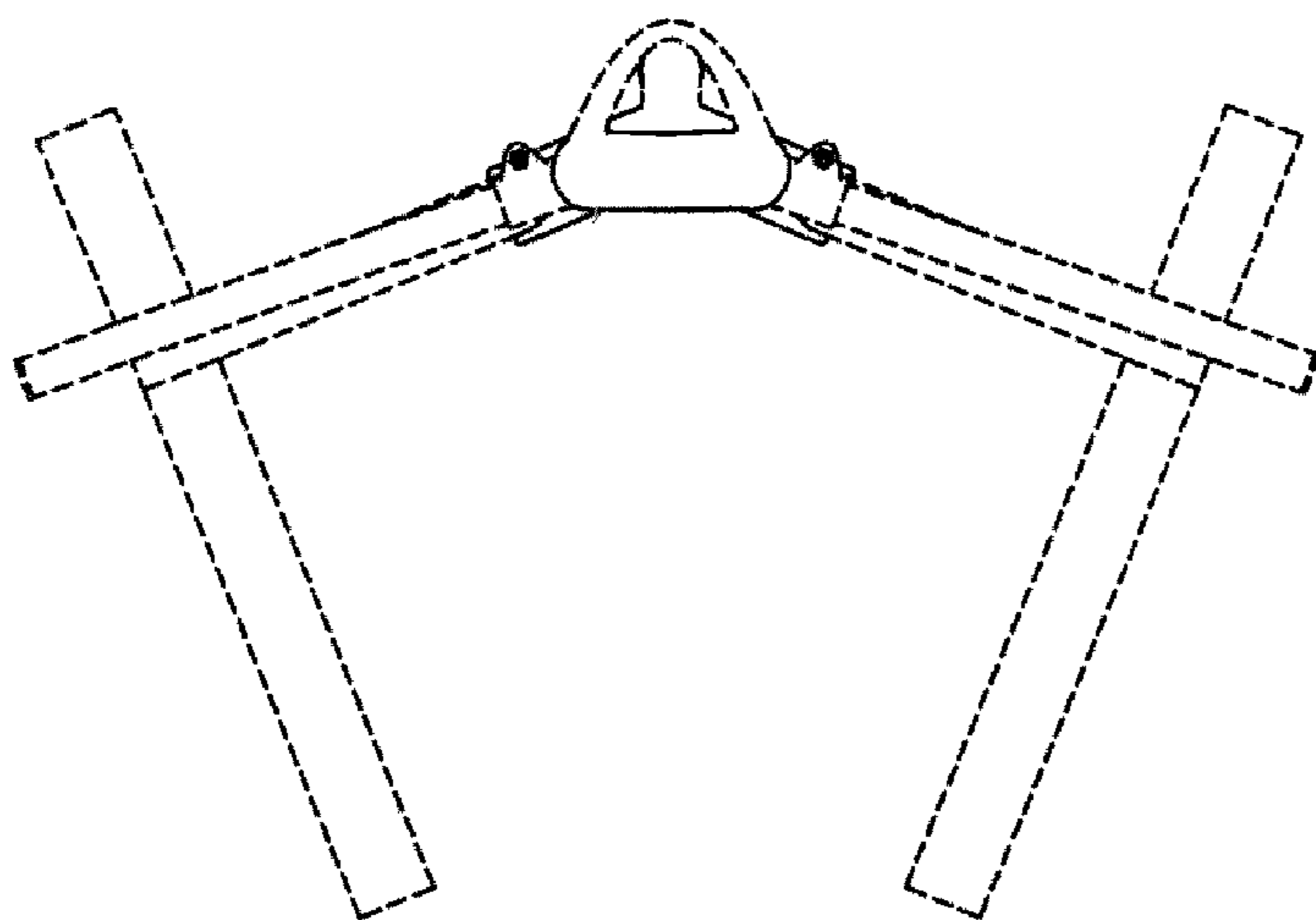


FIG. 3

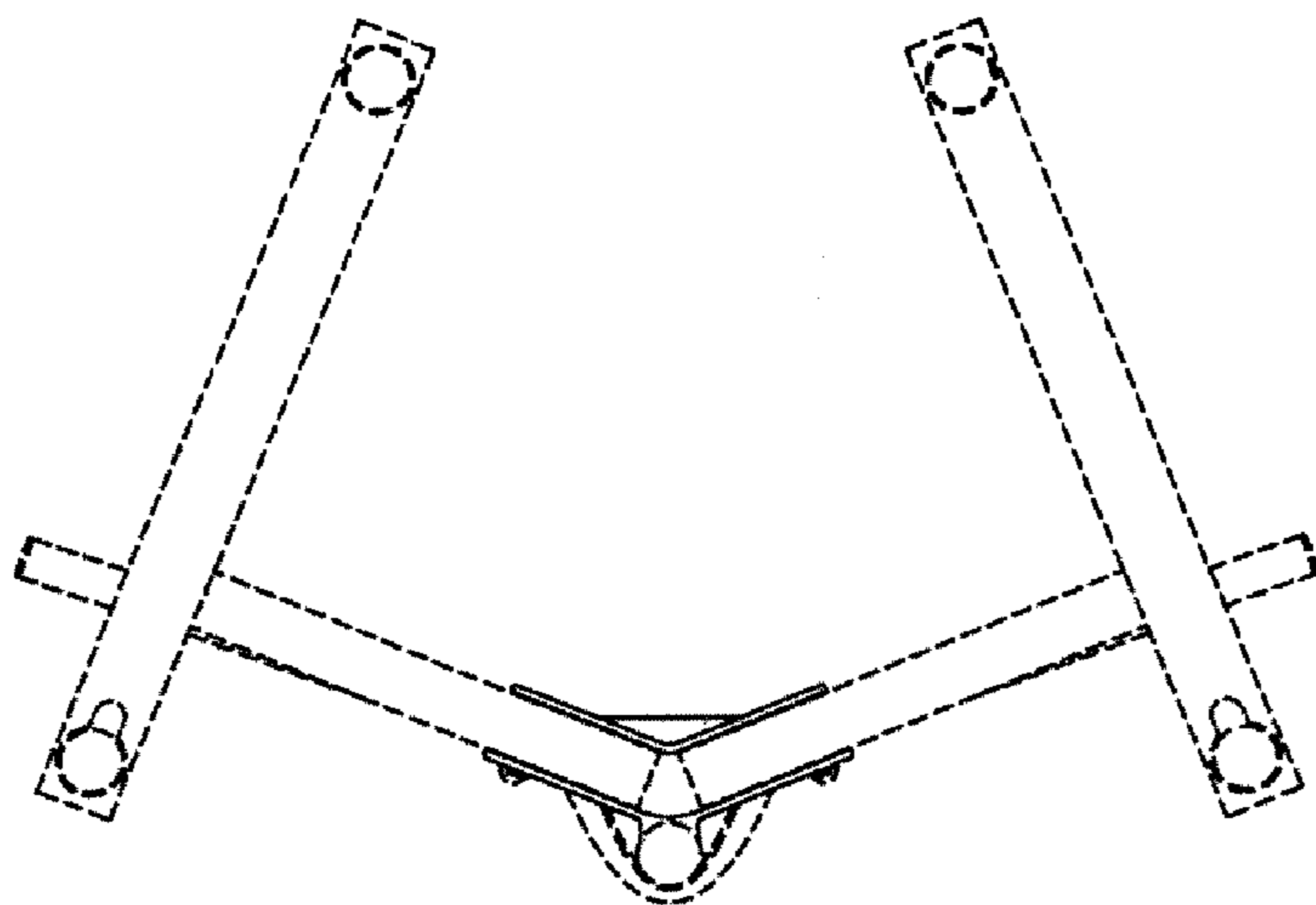


FIG. 4

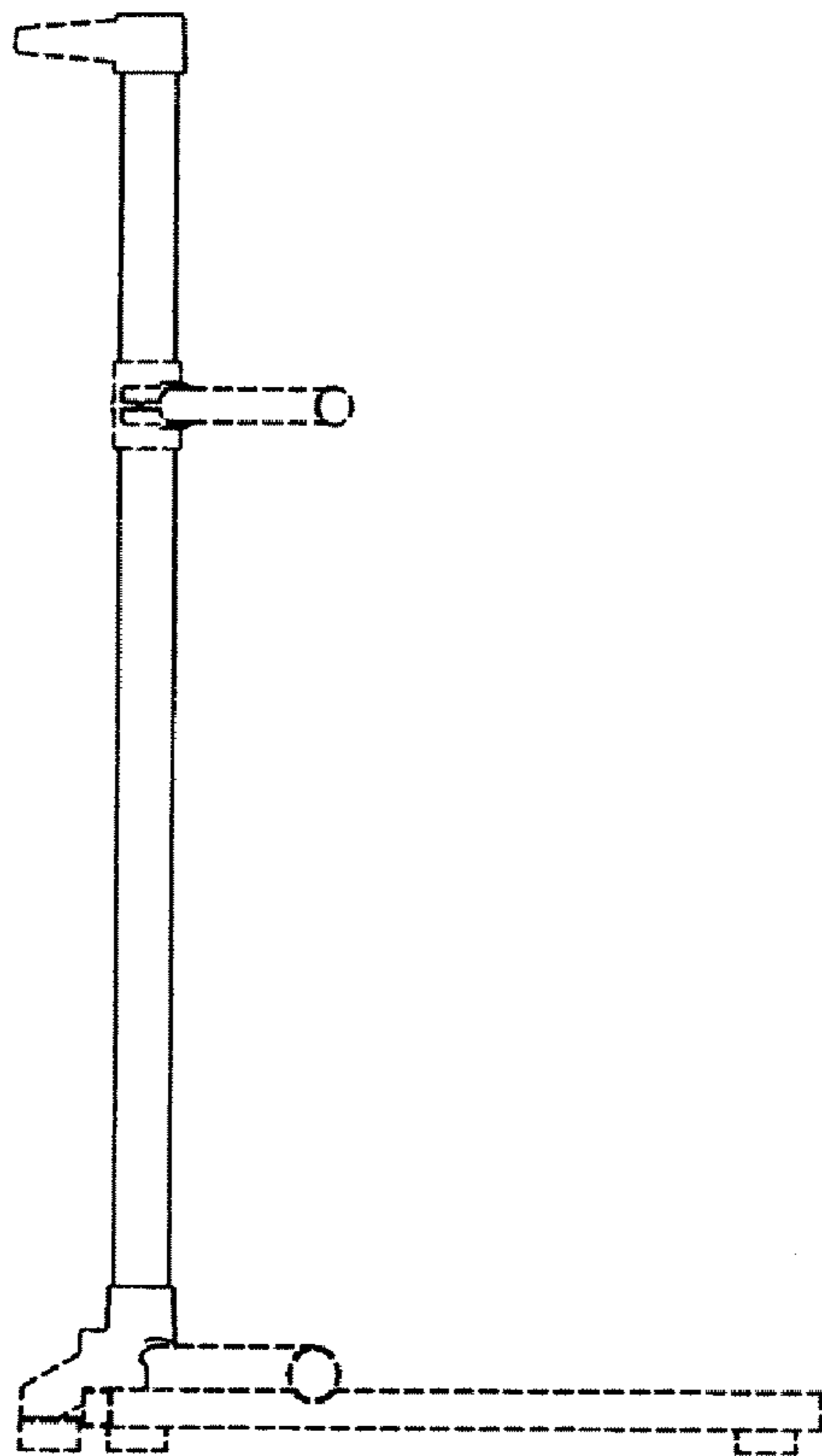


FIG. 5

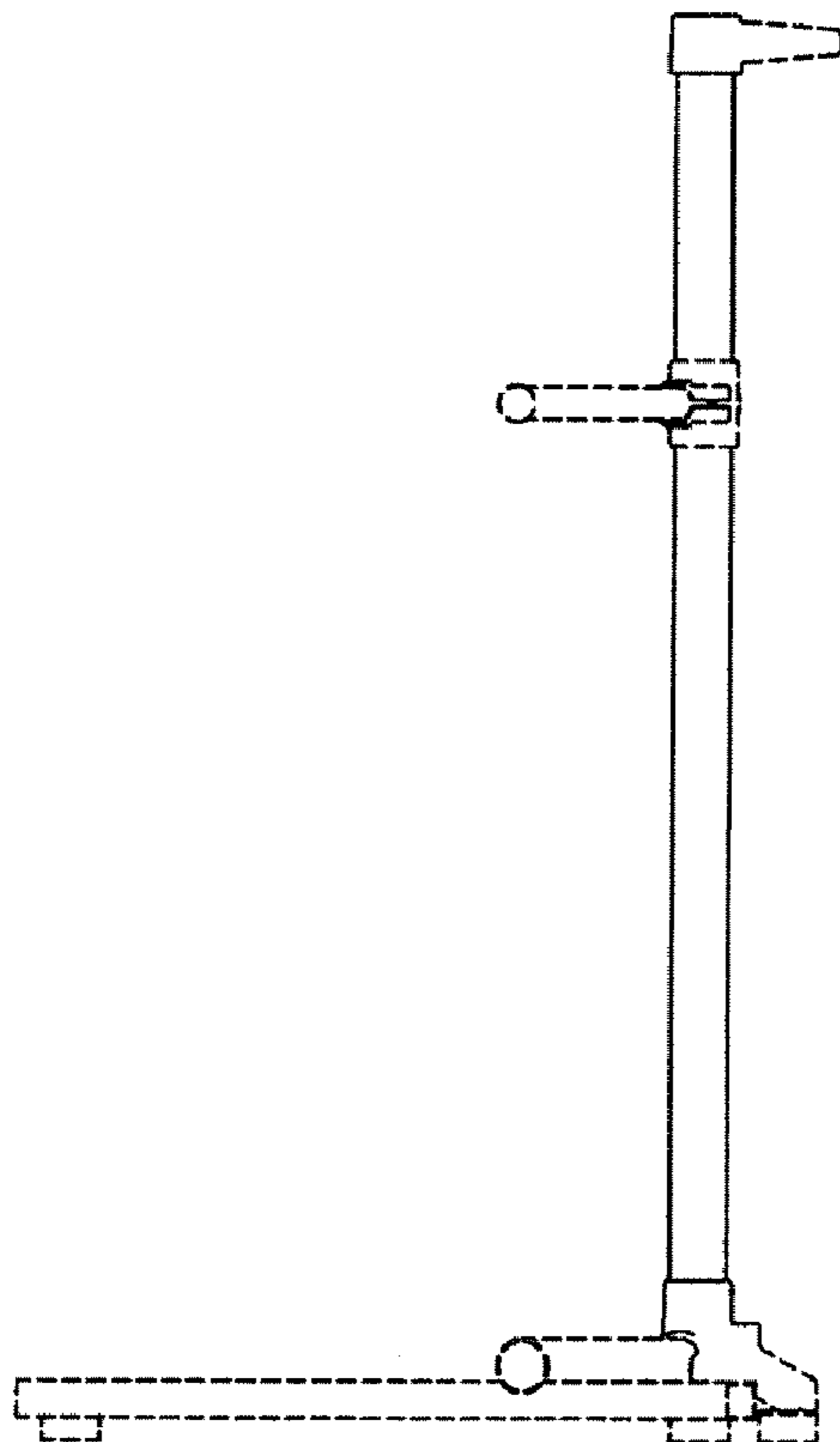


FIG. 6

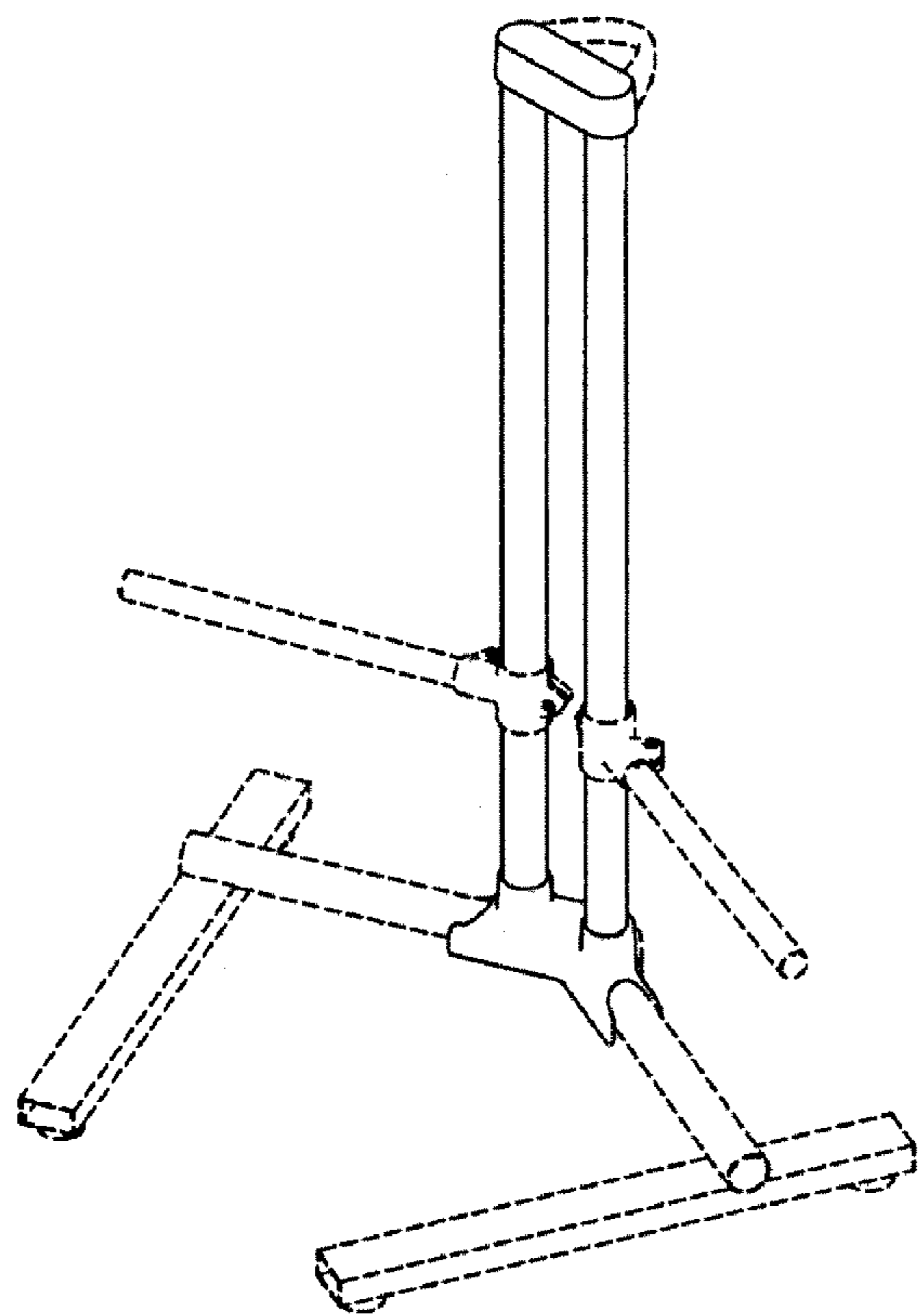


FIG. 7

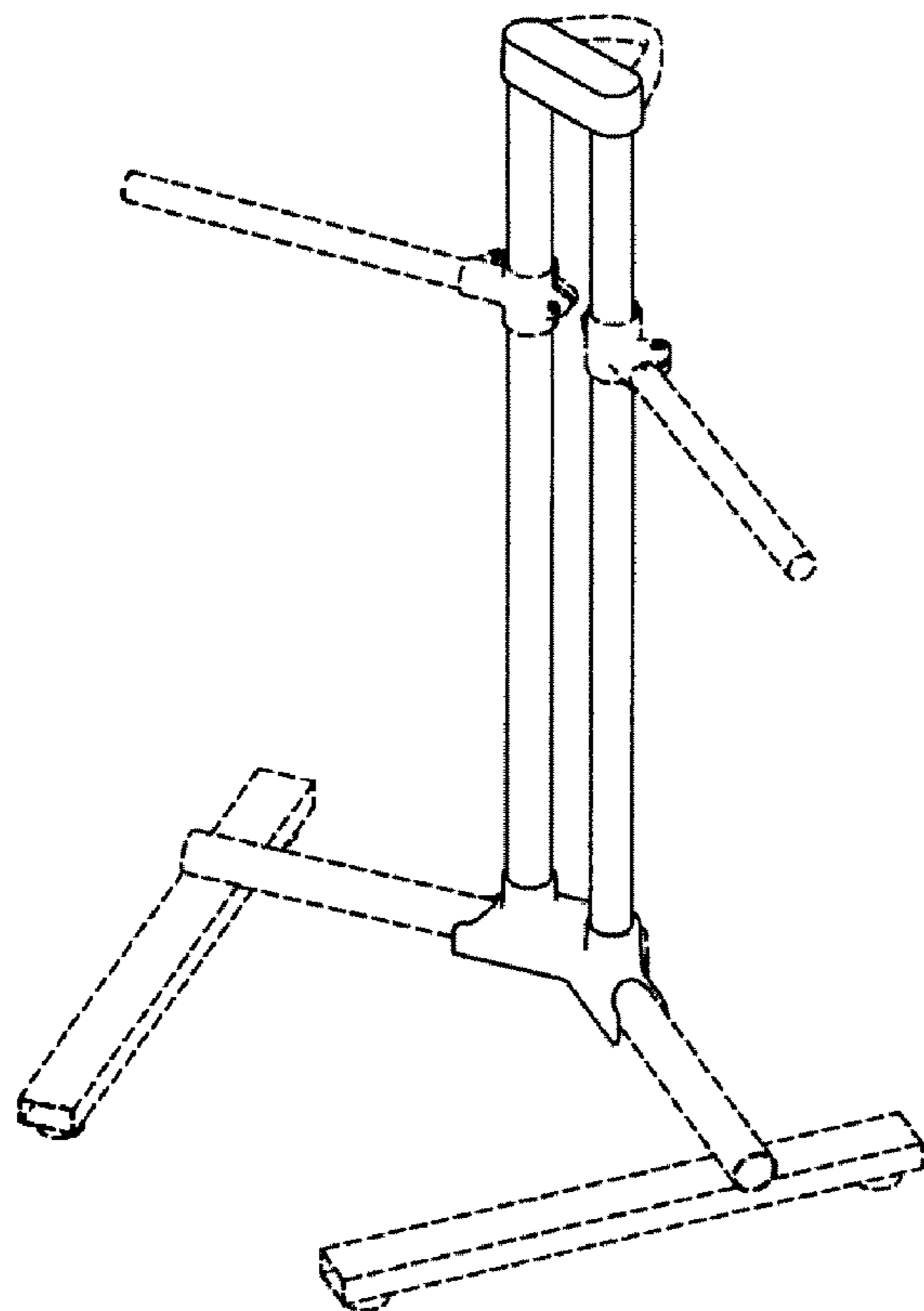


FIG. 8