



US00D578802S

(12) **United States Design Patent**
Russell et al.

(10) **Patent No.:** **US D578,802 S**
(45) **Date of Patent:** **** Oct. 21, 2008**

(54) **PURSE HOLDER**

(75) Inventors: **Brian Russell**, Northfield, IL (US); **Nan Kennedy**, Cary, IL (US)

(73) Assignee: **Giftco, Inc.**, Vernon Hills, IL (US)

(**) Term: **14 Years**

(21) Appl. No.: **29/275,253**

(22) Filed: **Dec. 19, 2006**

(51) **LOC (8) Cl.** **06-04**

(52) **U.S. Cl.** **D6/457**

(58) **Field of Classification Search** D6/300,
D6/310, 457, 553, 418, 320, 326, 396, 449,
D6/453, 466, 570, 514; 211/113, 85.3, 13.1,
211/87.01; 248/214, 309.1

See application file for complete search history.

(56) **References Cited**

U.S. PATENT DOCUMENTS

| | | | | |
|-----------|-----|---------|--------------|---------------|
| 2,941,672 | A | 6/1960 | Lathrop | |
| 3,063,570 | A | 11/1962 | Kroner | |
| D315,654 | S * | 3/1991 | Hummel | D6/553 |
| 5,137,149 | A | 8/1992 | Polacek | |
| 5,452,806 | A | 9/1995 | Campas | |
| 5,584,455 | A * | 12/1996 | Artemi | 248/214 |
| D377,123 | S * | 1/1997 | Hutchens | D6/323 |
| 5,794,800 | A | 8/1998 | Carmo et al. | |

| | | | | |
|--------------|-----|--------|-------------|--------------|
| 6,213,316 | B1 | 4/2001 | Gretz | |
| D496,581 | S | 9/2004 | Shaw et al. | |
| D546,601 | S * | 7/2007 | Murphy | D6/514 |
| 2005/0155946 | A1 | 7/2005 | Wenzler | |
| 2006/0049124 | A1 | 3/2006 | Wang | |

* cited by examiner

Primary Examiner—Caron Veynar

Assistant Examiner—Sydney R Buffalow

(74) *Attorney, Agent, or Firm*—Vedder Price P.C.

(57) **CLAIM**

The ornamental design of the purse holder, as shown.

DESCRIPTION

FIG. 1 is a perspective view of the purse holder showing my new design;

FIG. 2 is a top view of my new design;

FIG. 3 is a bottom view of my new design;

FIG. 4 is a front view of my new design;

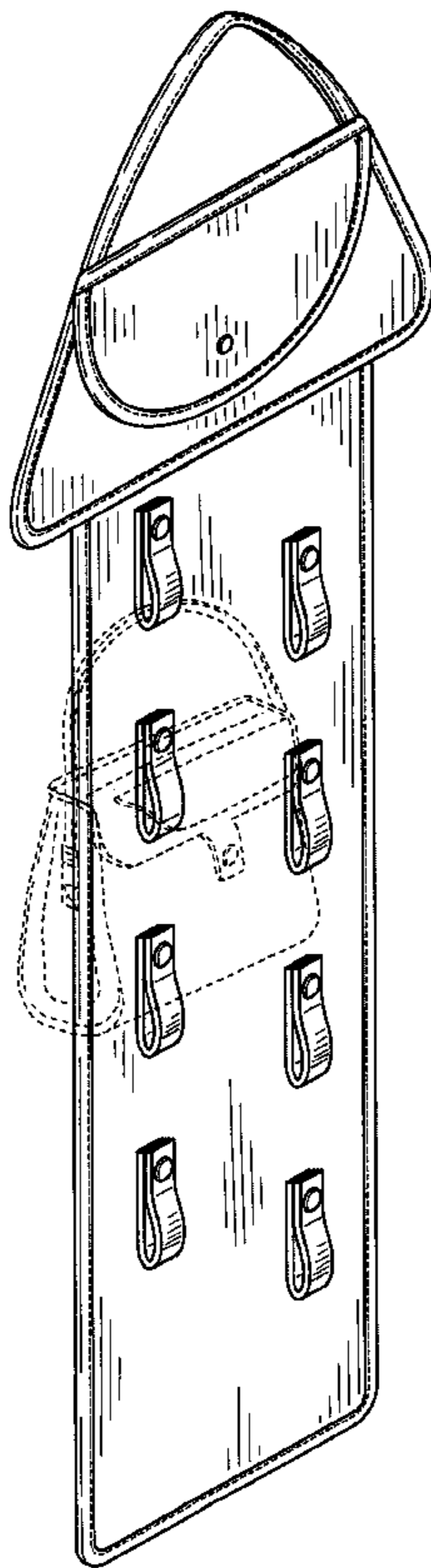
FIG. 5 is a back view of my new design;

FIG. 6 is a view of one side of my new design; and,

FIG. 7 is a view of the other side of my new design.

The broken lines are for the illustrative purposes only and form no part of the claimed design.

1 Claim, 3 Drawing Sheets



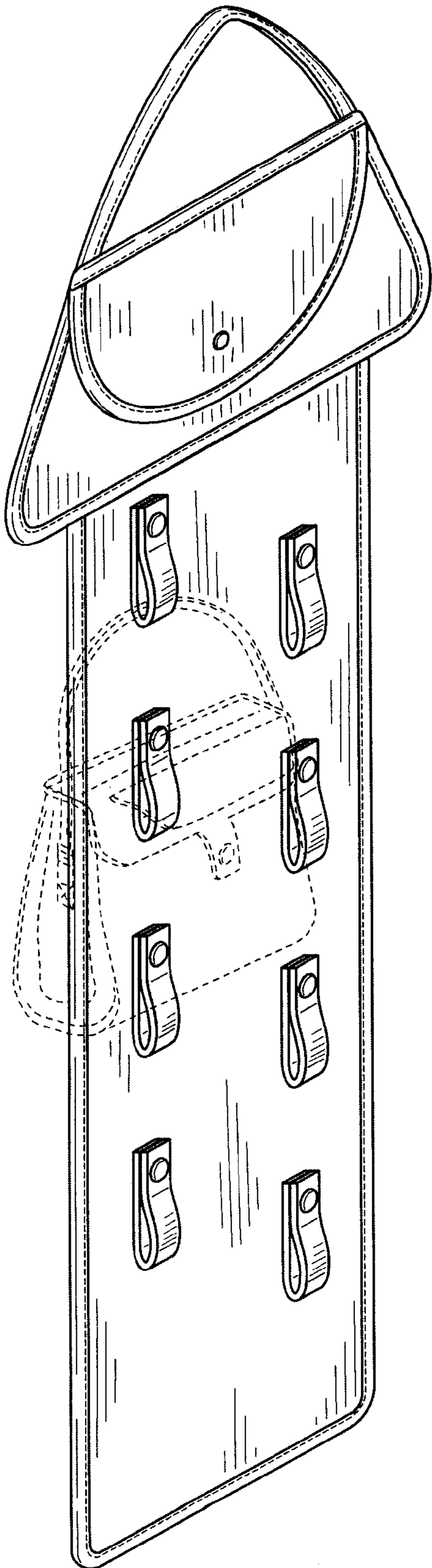


FIG. 1



FIG. 2

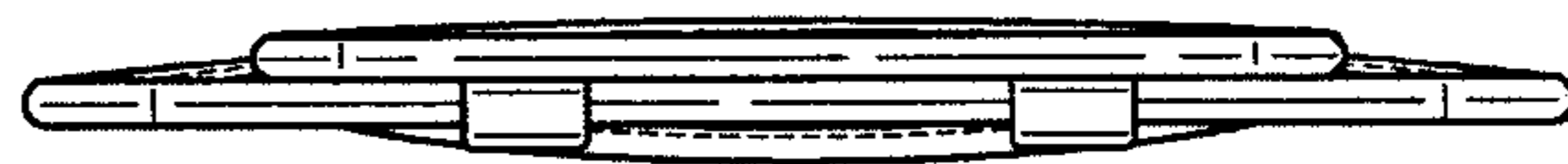


FIG. 3

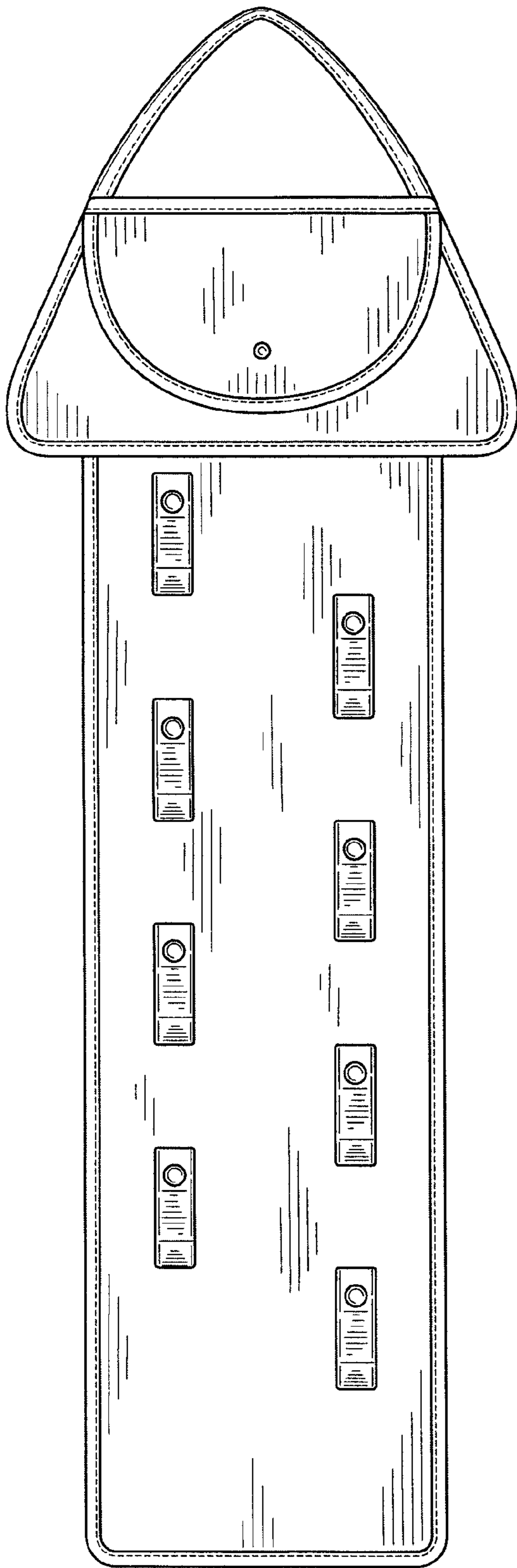


FIG. 4

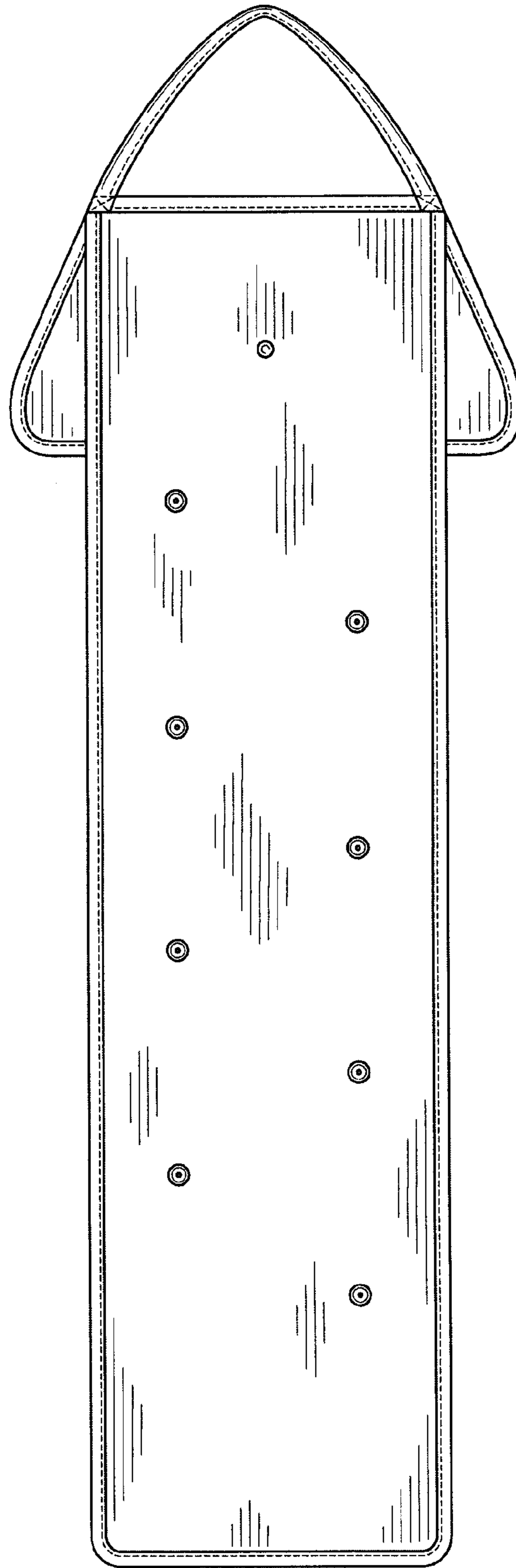


FIG. 5



FIG. 6



FIG. 7