



US00D578799S

(12) **United States Design Patent**  
**Ricci**

(10) **Patent No.:** **US D578,799 S**  
(45) **Date of Patent:** **\*\* Oct. 21, 2008**

(54) **SOFA**  
(75) Inventor: **Luca Ricci**, Shenzhen (CN)  
(73) Assignee: **DeCoro Limited**, Hong Kong (CN)  
(\*\*) Term: **14 Years**

(21) Appl. No.: **29/299,941**  
(22) Filed: **Jan. 7, 2008**

(51) **LOC (8) Cl.** ..... **06-01**  
(52) **U.S. Cl.** ..... **D6/381**  
(58) **Field of Classification Search** ..... D6/334,  
D6/349, 355, 357, 367, 368, 370, 374-381,  
D6/500-502; 297/175, 232, 233, 283.2,  
297/283.3, 445.1, 448.1, 452.12, 452.38,  
297/452.48, 461, 462; 5/12.1, 12.2  
See application file for complete search history.

(56) **References Cited**

**U.S. PATENT DOCUMENTS**

D149,333 S \* 4/1948 Anderson et al. .... D6/378  
4,077,666 A \* 3/1978 Heumann ..... 297/440.14  
D287,439 S \* 12/1986 Culler ..... D6/381  
D488,315 S \* 4/2004 Natuzzi ..... D6/381  
D499,264 S \* 12/2004 Ricci ..... D6/381

\* cited by examiner

*Primary Examiner*—Sandra Snapp  
(74) *Attorney, Agent, or Firm*—Mitchell P. Brook; Luce,  
Forward, Hamilton & Scripps

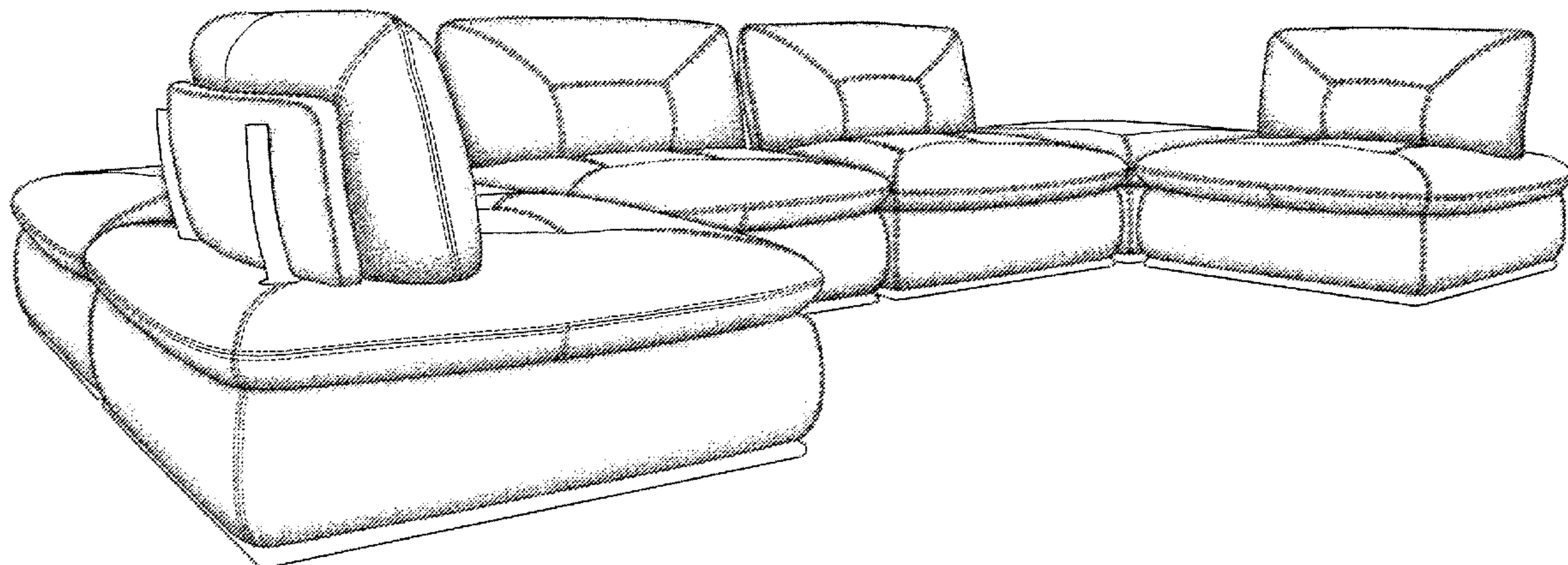
(57) **CLAIM**

The ornamental design for a sofa, as shown and described.

**DESCRIPTION**

FIG. 1 is a perspective view of the sofa design;  
FIG. 2 is a front view thereof;  
FIG. 3 is a rear view thereof;  
FIG. 4 is a right, side view thereof,  
FIG. 5 is a left, side view thereof;  
FIG. 6 is a top view thereof;  
FIG. 7 is a perspective view of a section of the sofa shown in  
FIG. 1, the section is removed for ease of illustration;  
FIG. 8 is a front view thereof;  
FIG. 9 is a rear view thereof;  
FIG. 10 is a right, side view thereof;  
FIG. 11 is a left, side view thereof; and,  
FIG. 12 is a top view thereof.  
The broken line disclosure is for illustrative purposes only  
and forms no part of the claimed design.

**1 Claim, 12 Drawing Sheets**



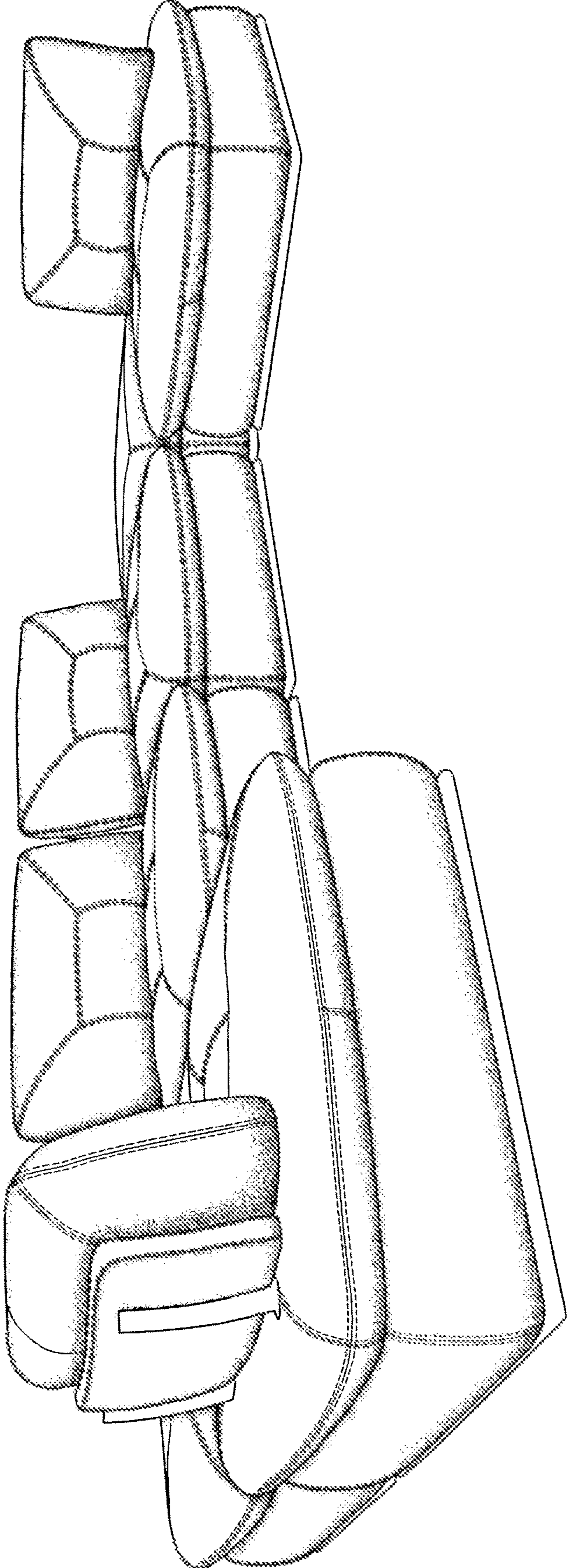


FIG. 1

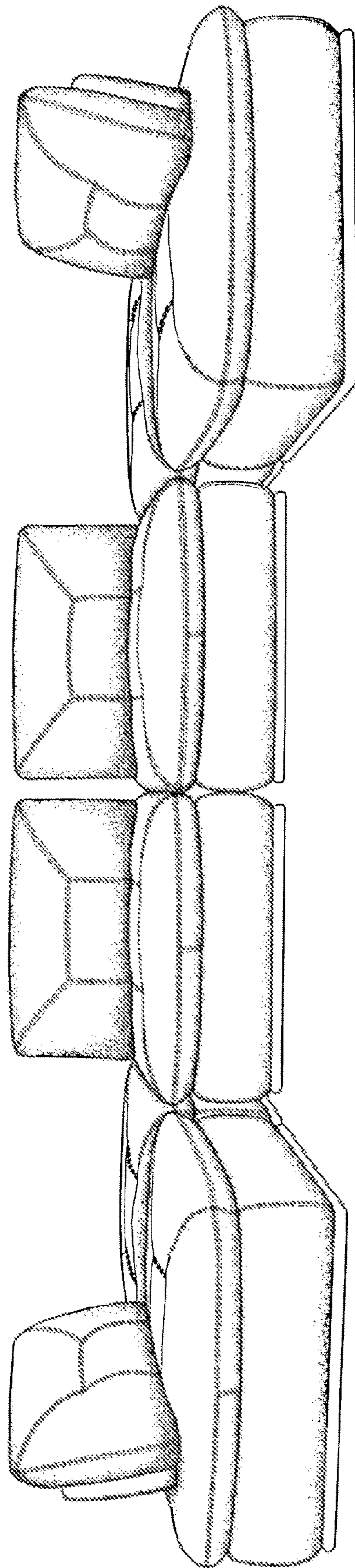


FIG. 2

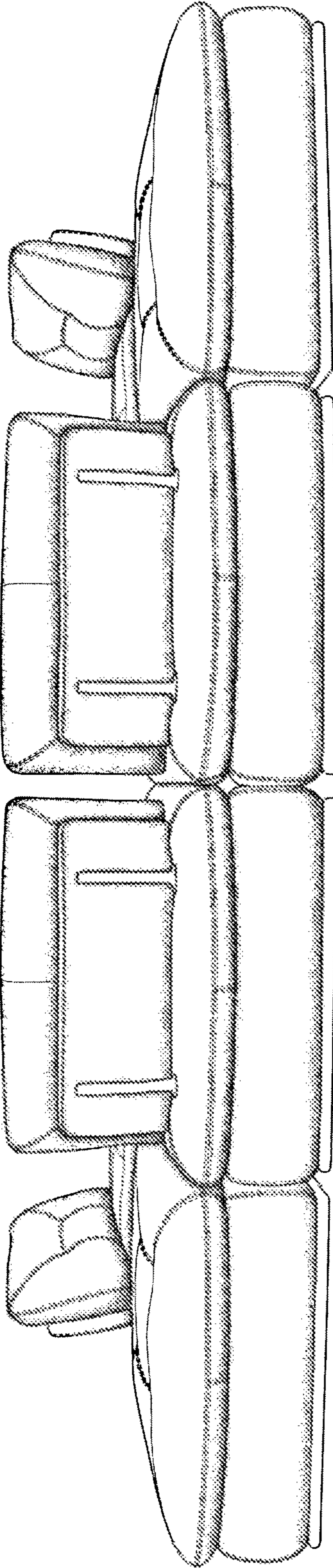


FIG. 3

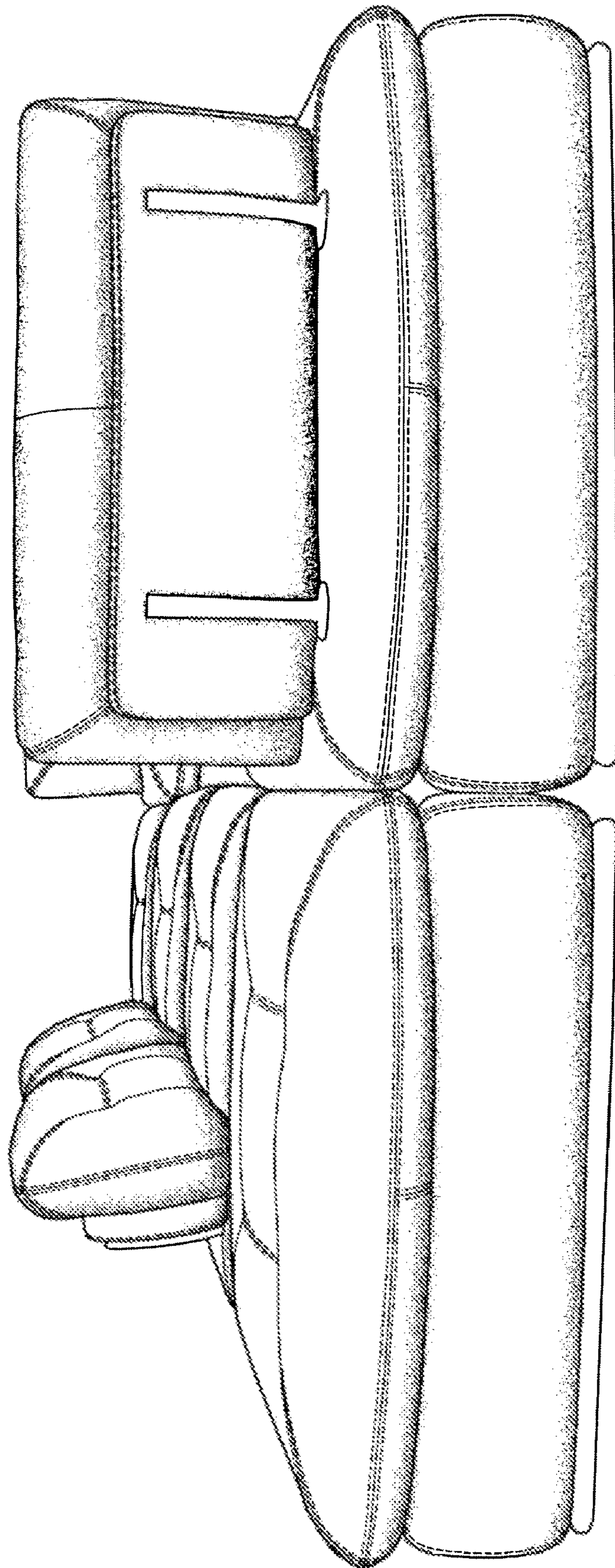


FIG. 4

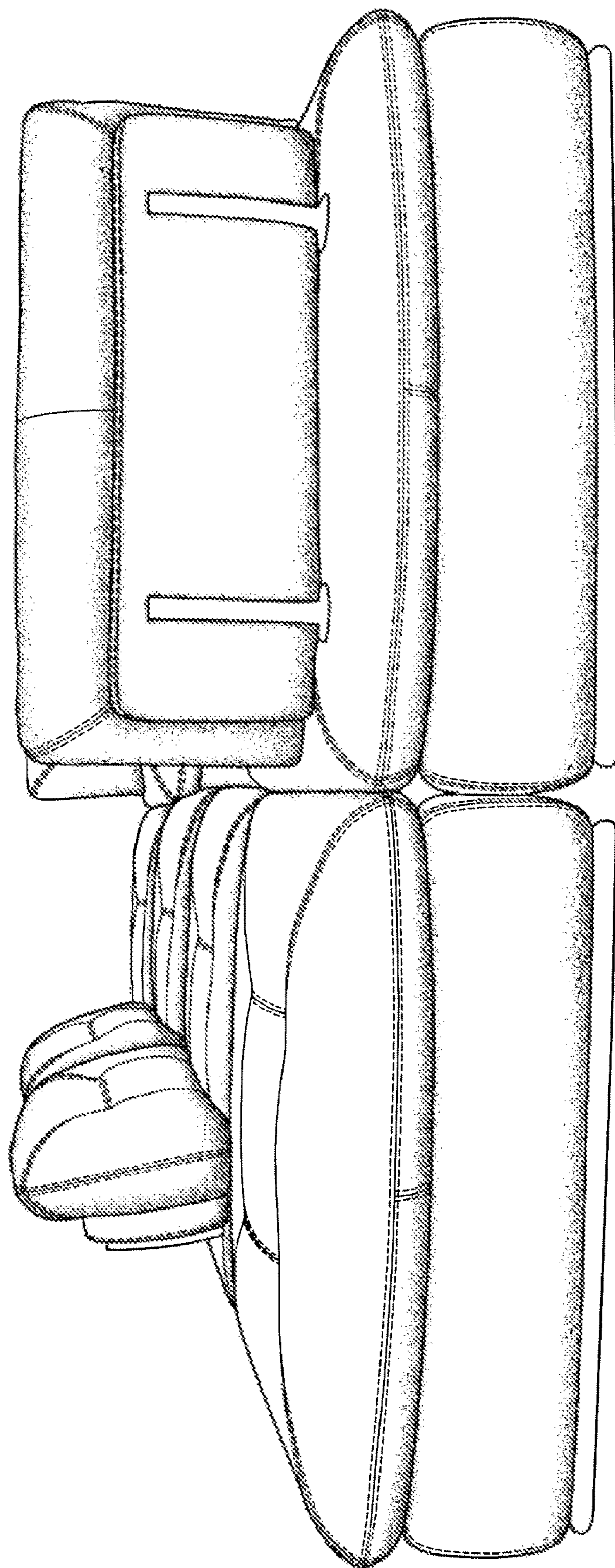


FIG. 5

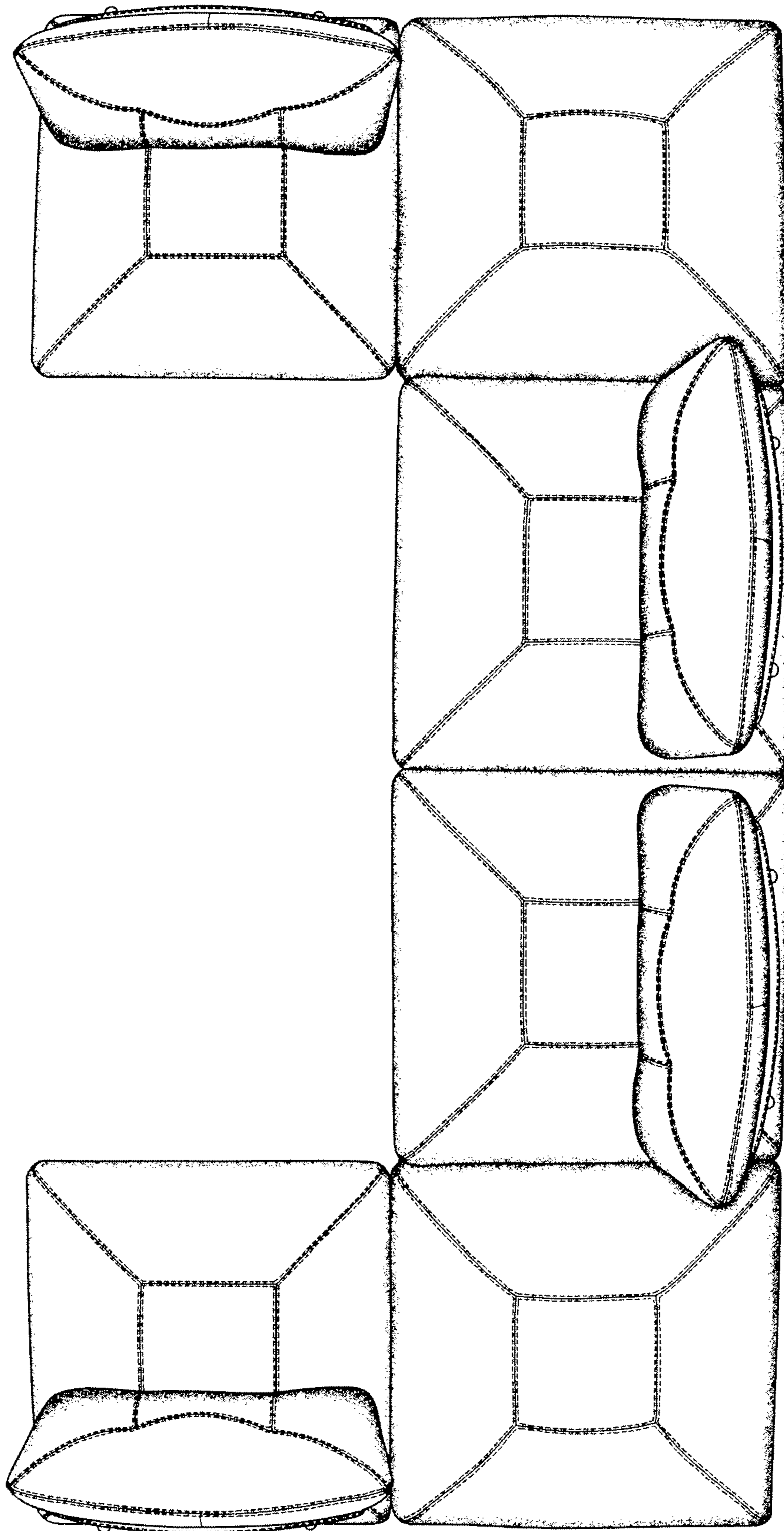


FIG. 6

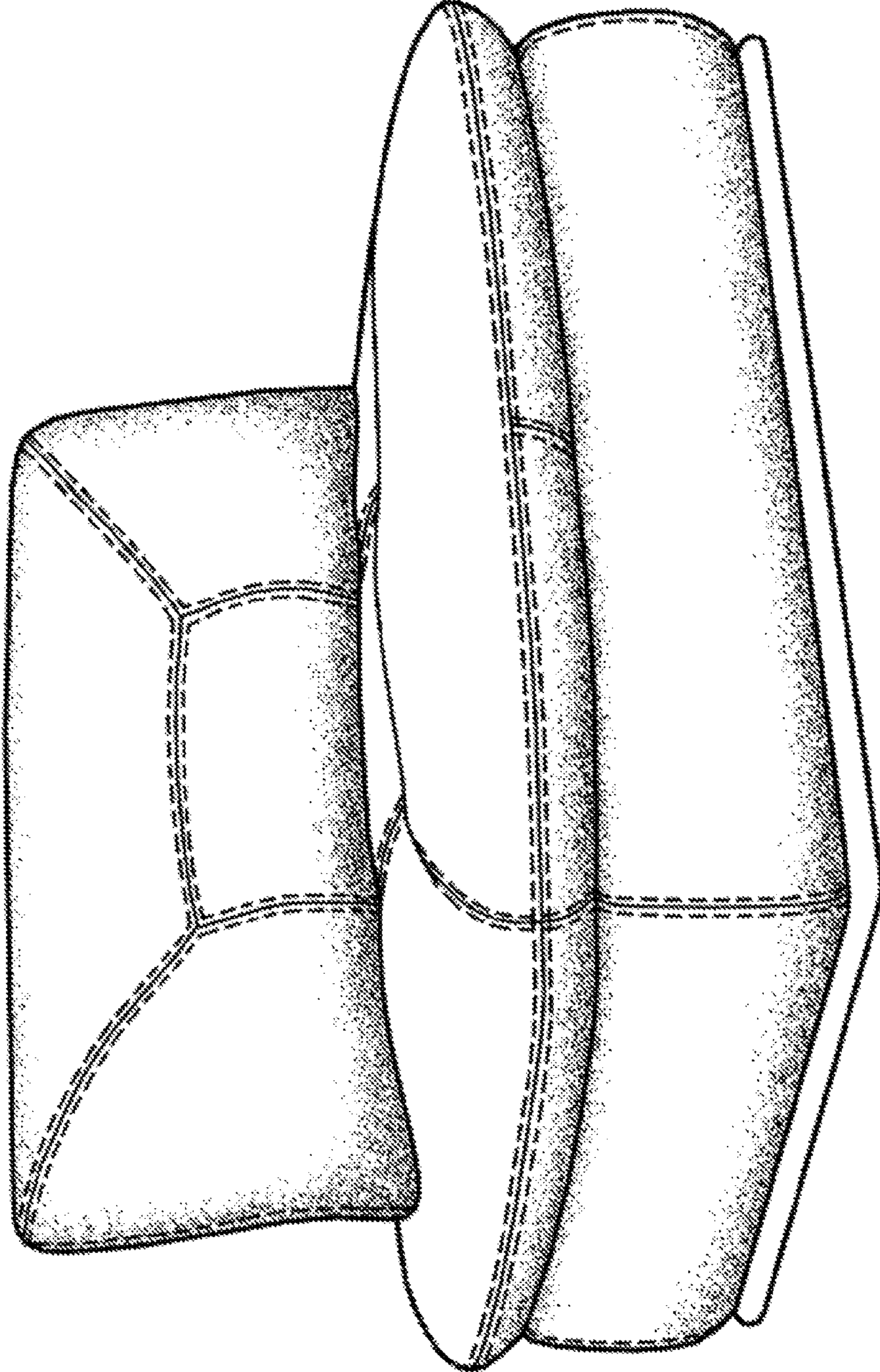


FIG. 7



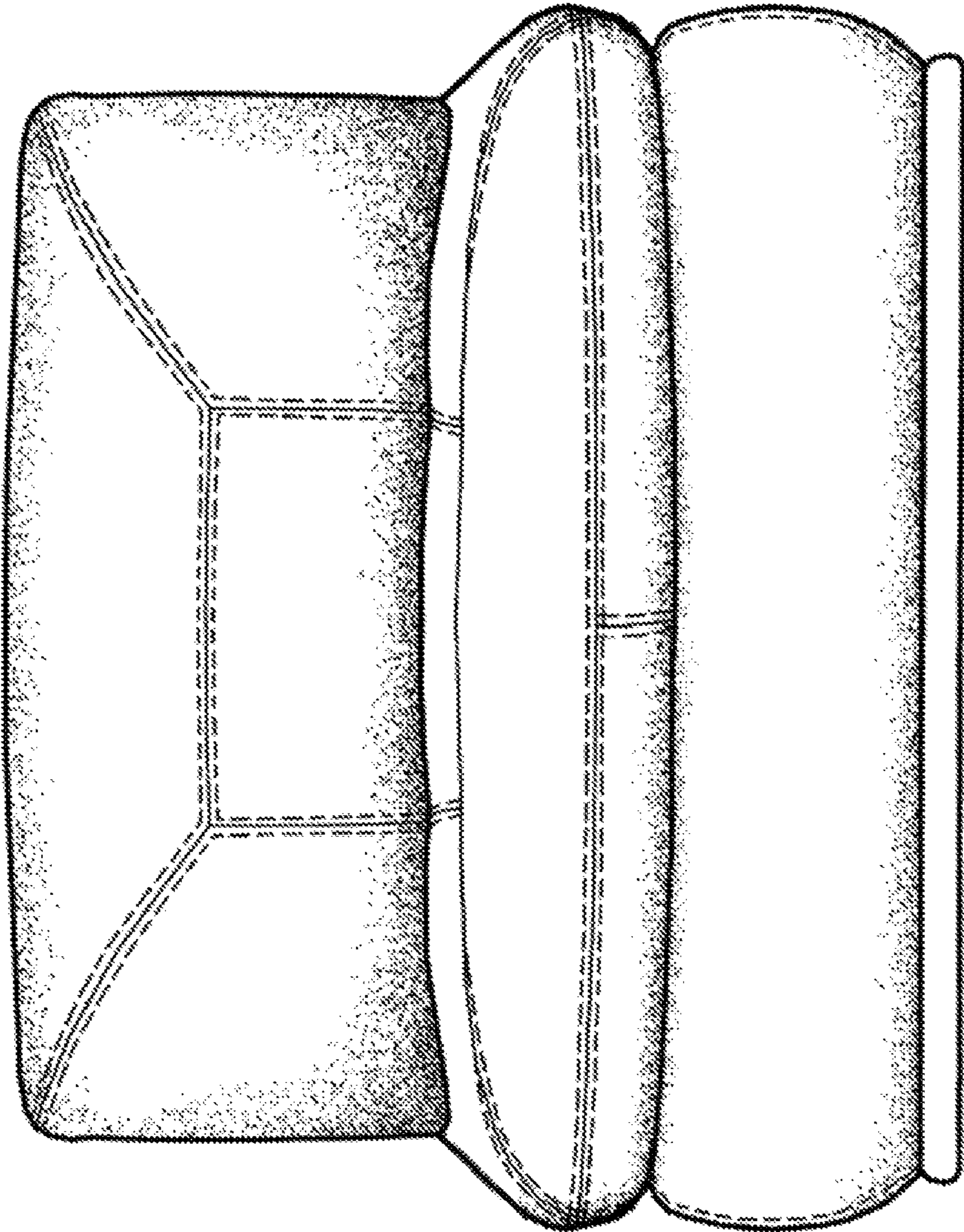


FIG. 8

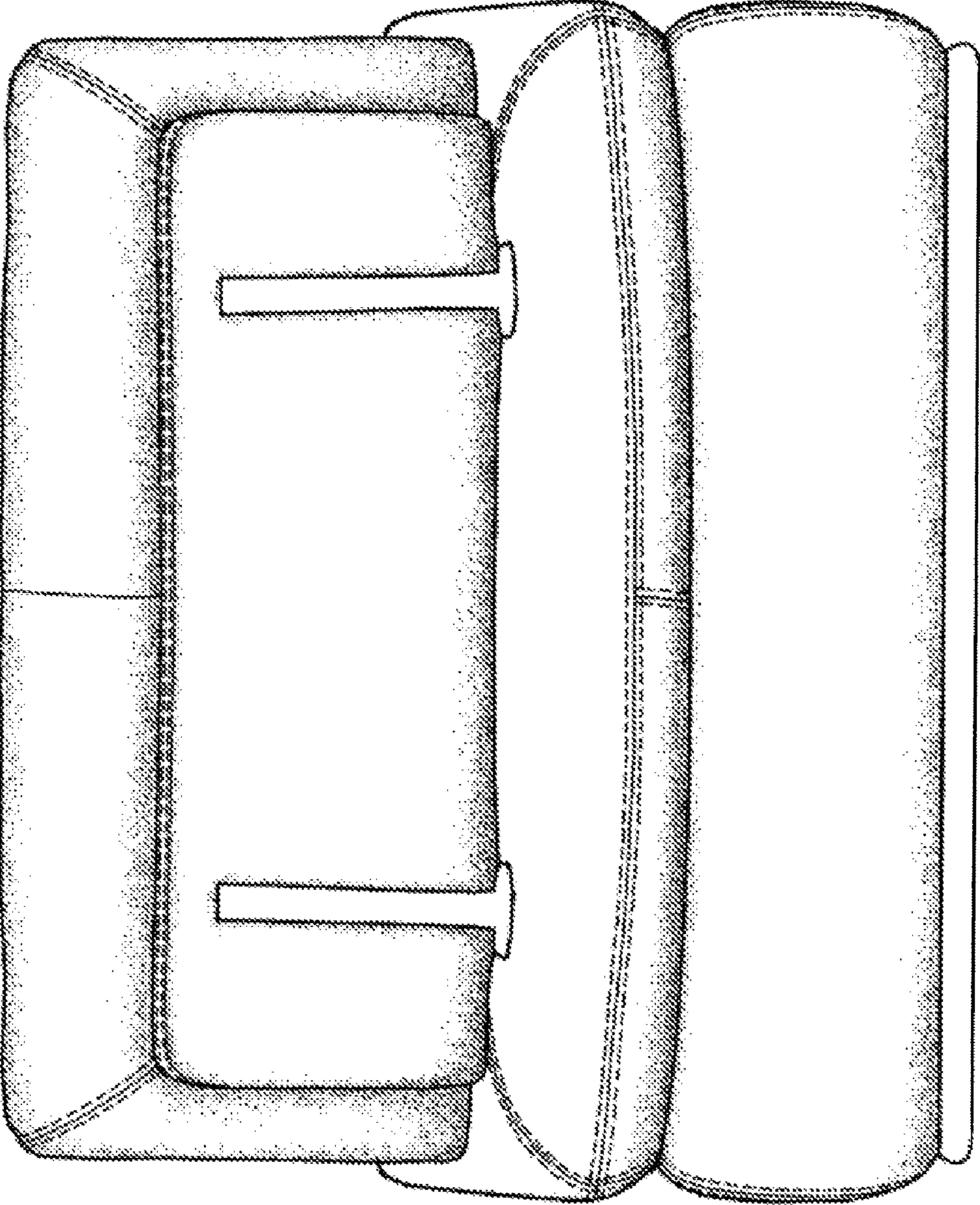


FIG. 9

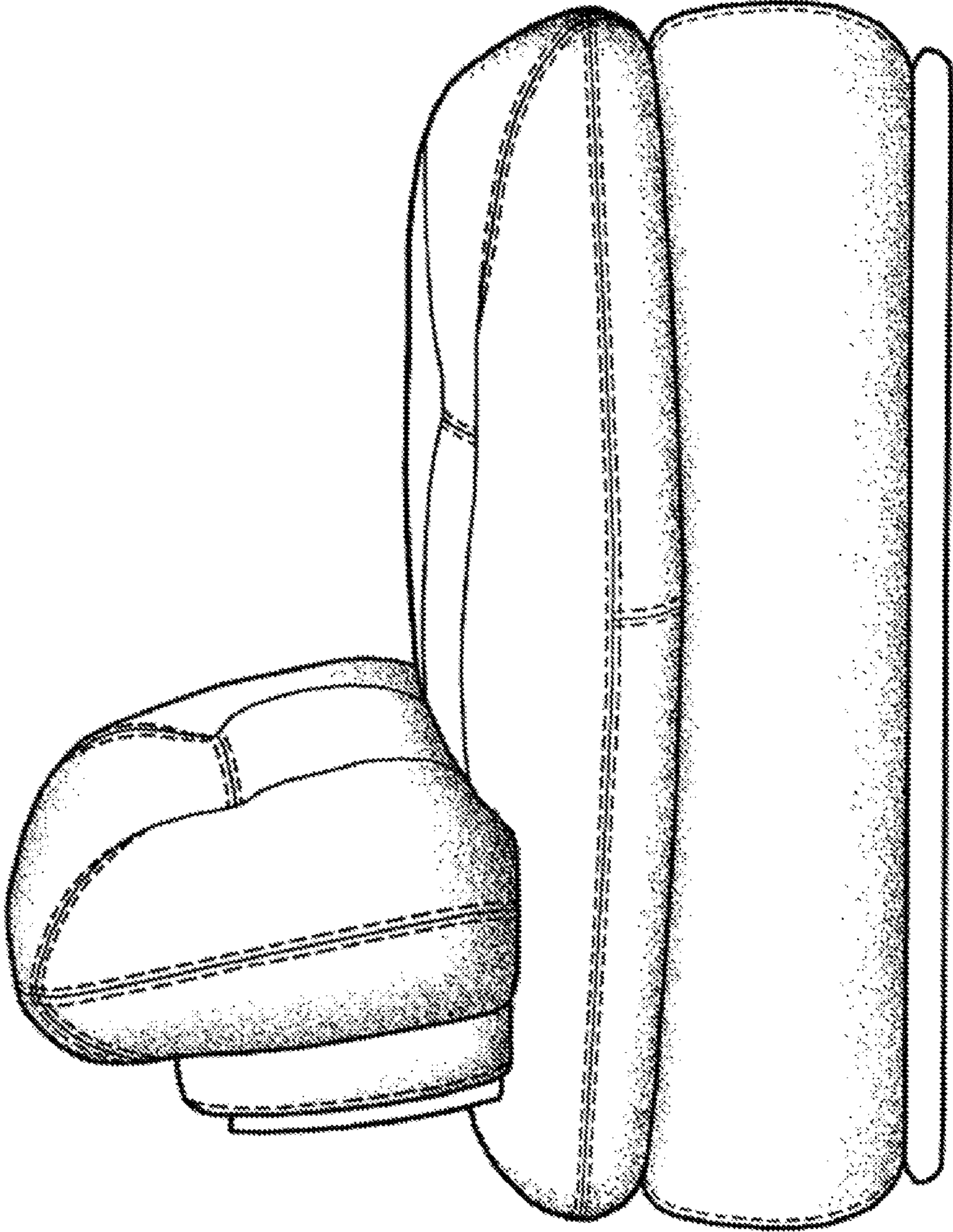


FIG. 10

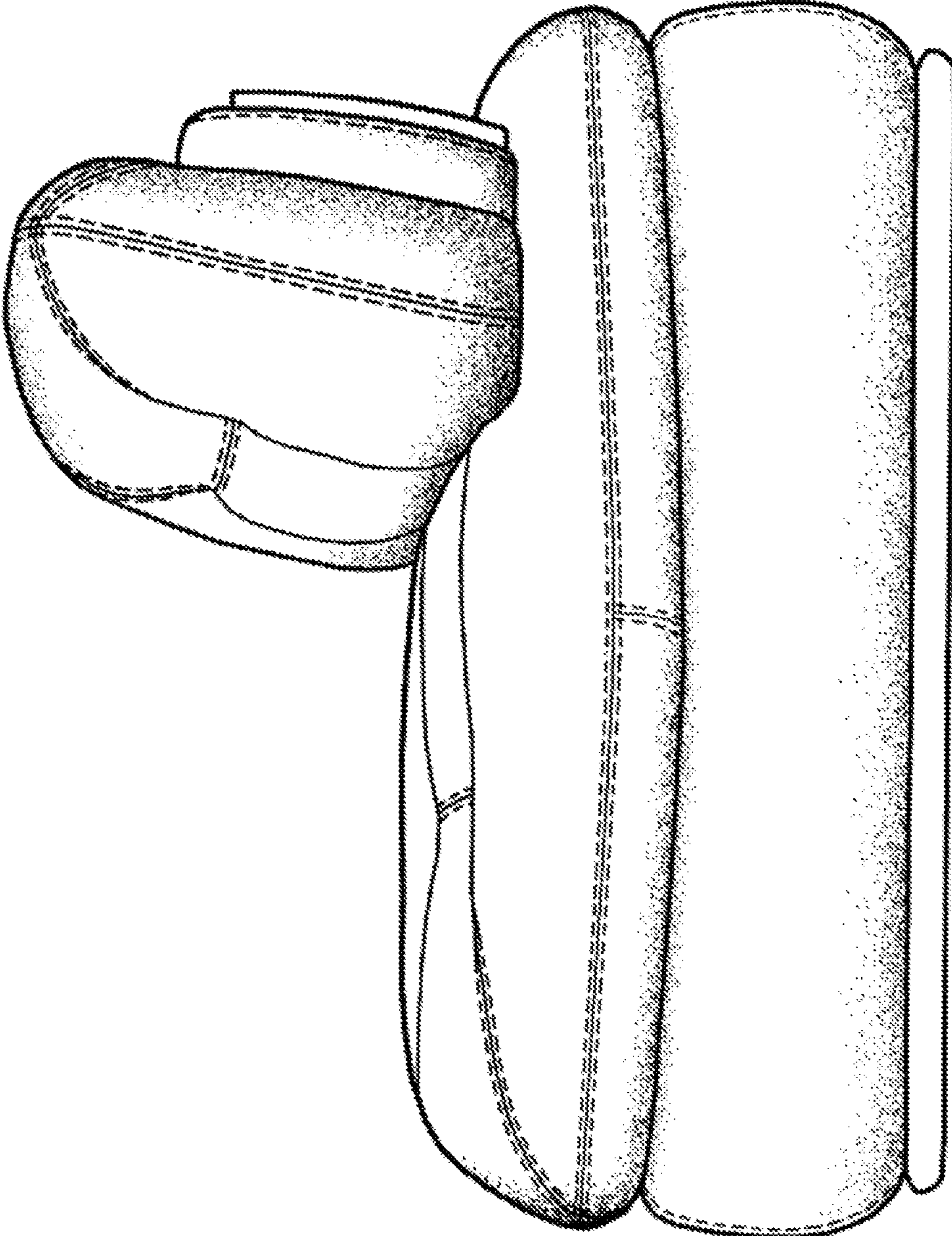


FIG. 11

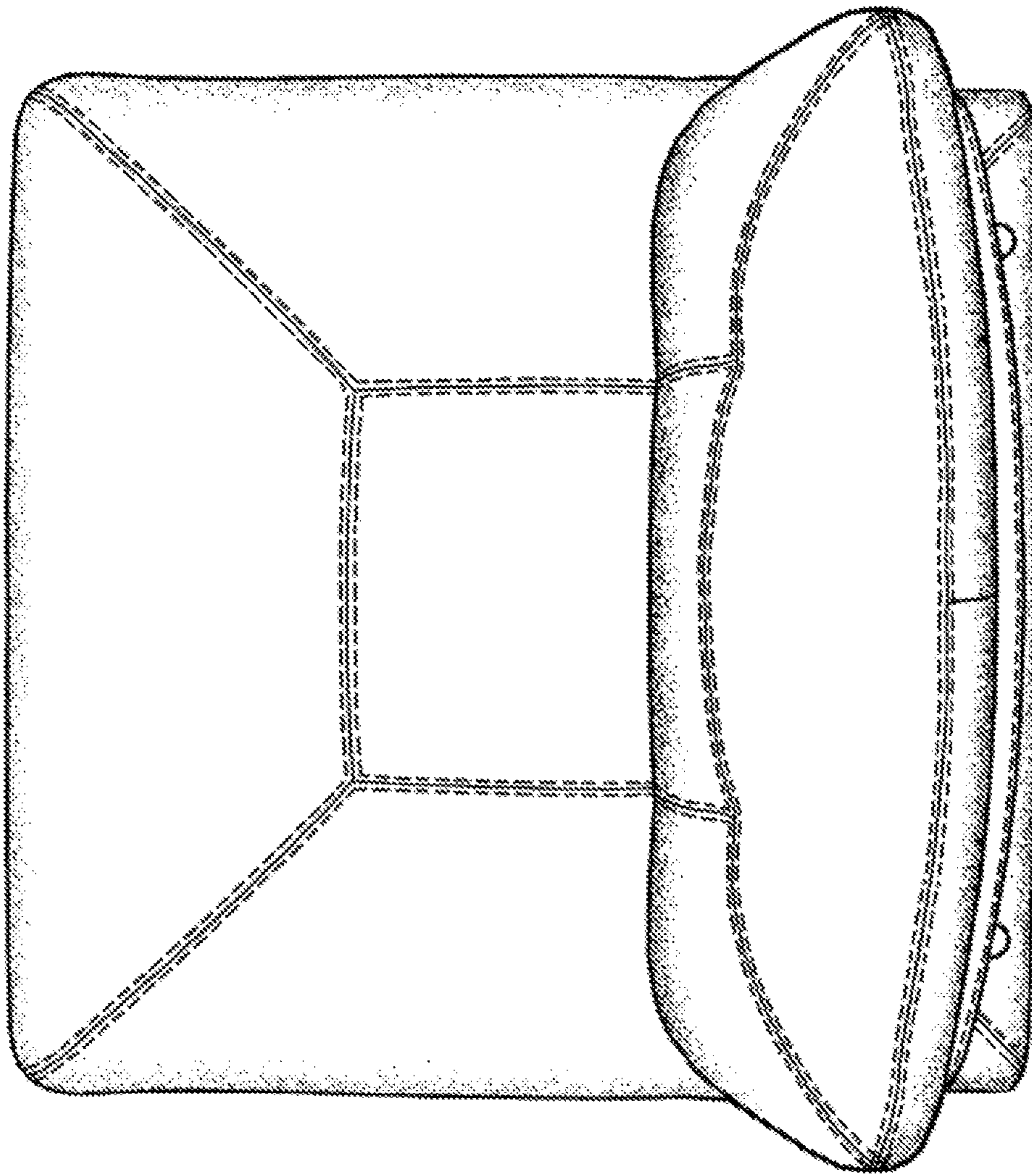


FIG. 12