



US00D578797S

(12) **United States Design Patent**
Ricci

(10) **Patent No.:** **US D578,797 S**
(45) **Date of Patent:** **** Oct. 21, 2008**

- (54) **SOFA**
- (75) Inventor: **Luca Ricci**, Shenzhen (CN)
- (73) Assignee: **DeCoro Limited**, Hong Kong (CN)
- (**) Term: **14 Years**
- (21) Appl. No.: **29/298,551**
- (22) Filed: **Dec. 6, 2007**
- (51) **LOC (8) Cl.** **06-01**
- (52) **U.S. Cl.** **D6/381**
- (58) **Field of Classification Search** D6/334,
D6/349, 355, 357, 367, 368, 370, 374-381,
D6/500-502; 297/175, 232, 233, 283.2,
297/283.3, 445.1, 448.1, 452.12, 452.38,
297/452.48, 461, 462; 5/12.1, 12.2
See application file for complete search history.

- D514,349 S * 2/2006 Natuzzi D6/381
- D530,111 S * 10/2006 Nastro D6/381
- D542,561 S * 5/2007 Ricci D6/381

* cited by examiner

Primary Examiner—Sandra Snapp
(74) *Attorney, Agent, or Firm*—Mitchell P. Brook; Luce, Forward, Hamilton & Scripps

(57) **CLAIM**

The ornamental design for a sofa, as shown and described.

DESCRIPTION

FIG. 1 is a right, front perspective view of the sofa design;
FIG. 2 is a front elevational view thereof;
FIG. 3 is a left, side view thereof;
FIG. 4 is a right, side view thereof; and,
FIG. 5 is a rear view thereof.

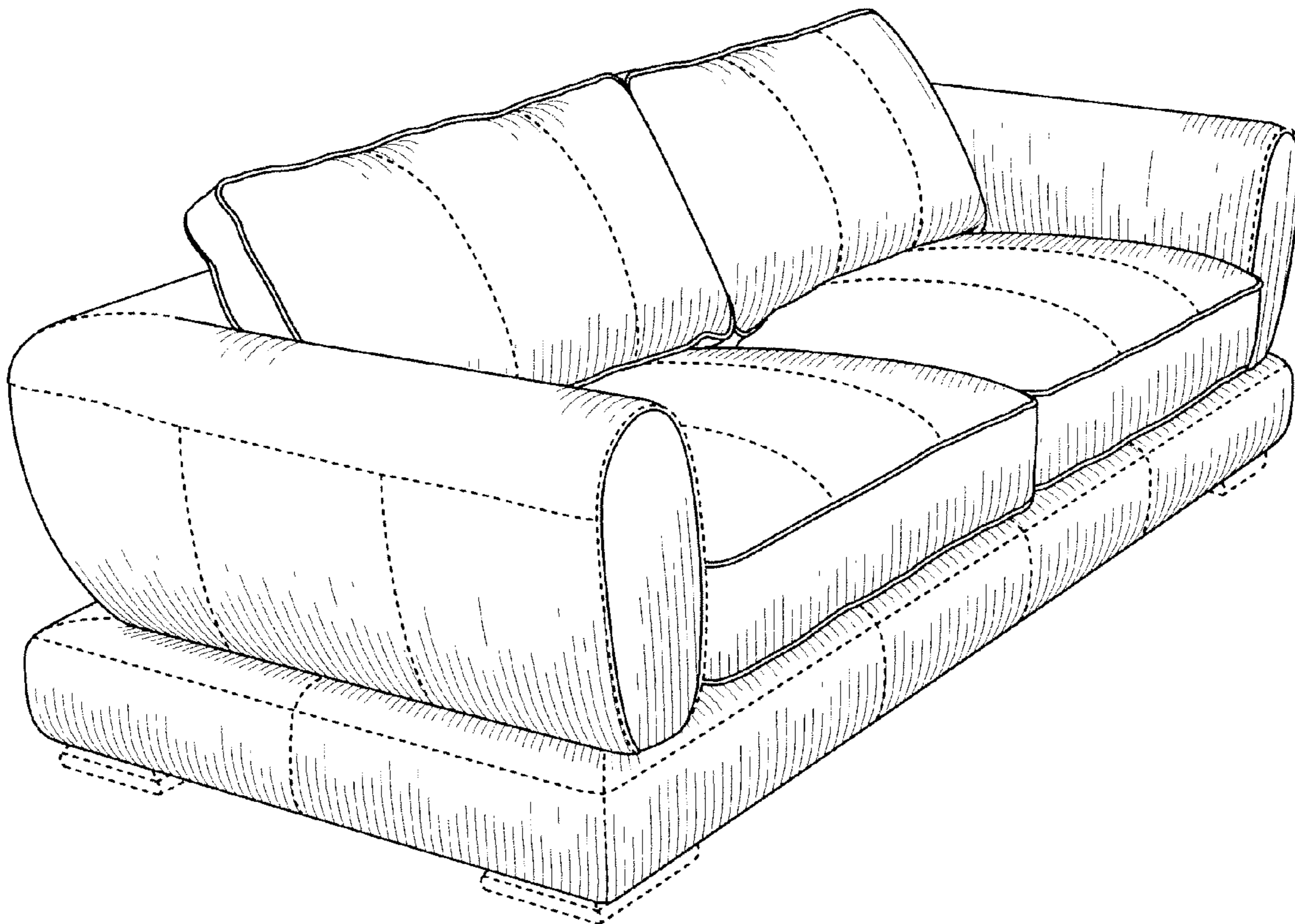
The broken line disclosure is for illustrative purposes only and forms no part of the claimed design.

(56) **References Cited**

U.S. PATENT DOCUMENTS

- D73,733 S * 10/1927 Yaremenko D6/381
- D94,228 S * 1/1935 Lipps D6/381

1 Claim, 4 Drawing Sheets



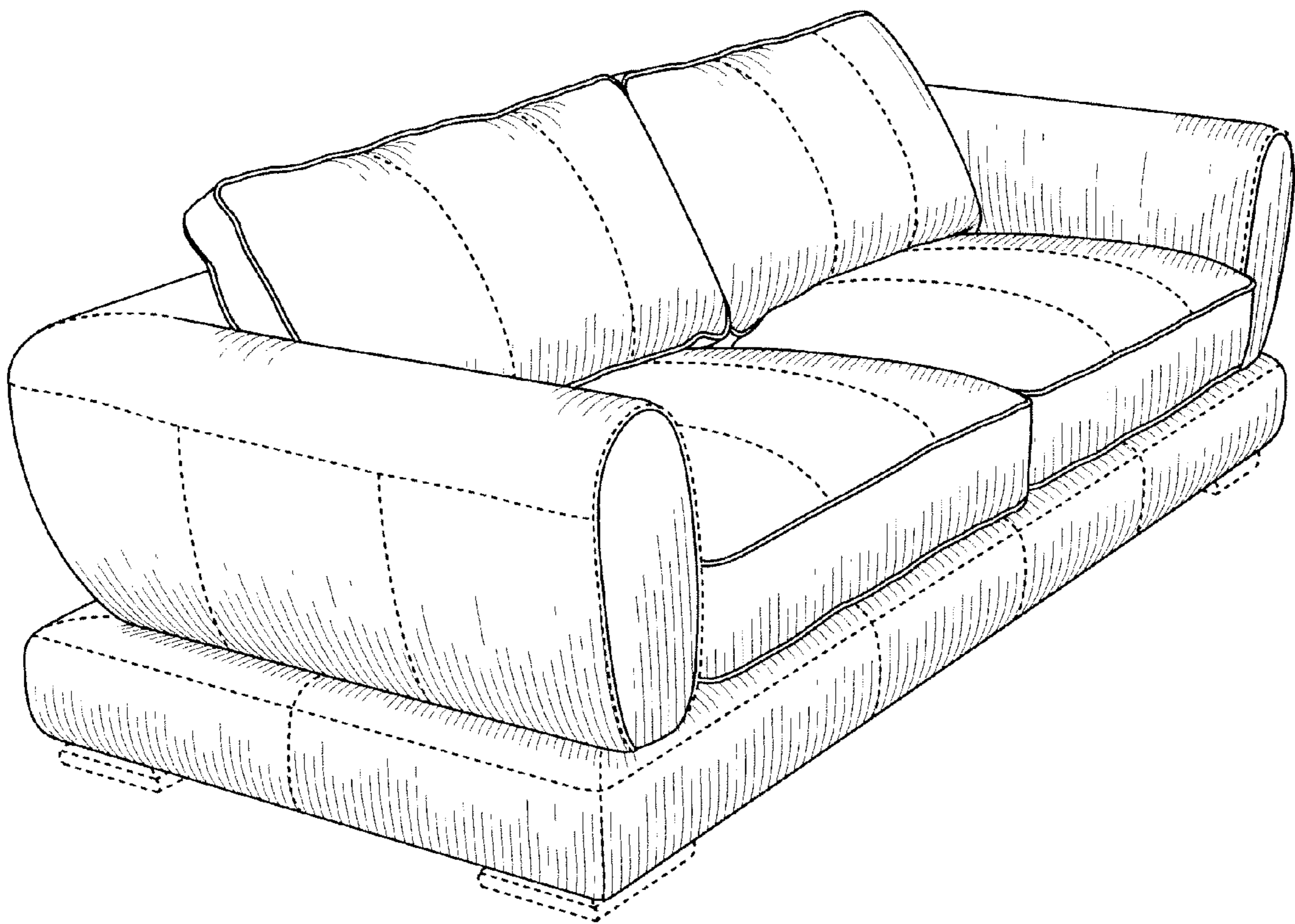


FIG. 1

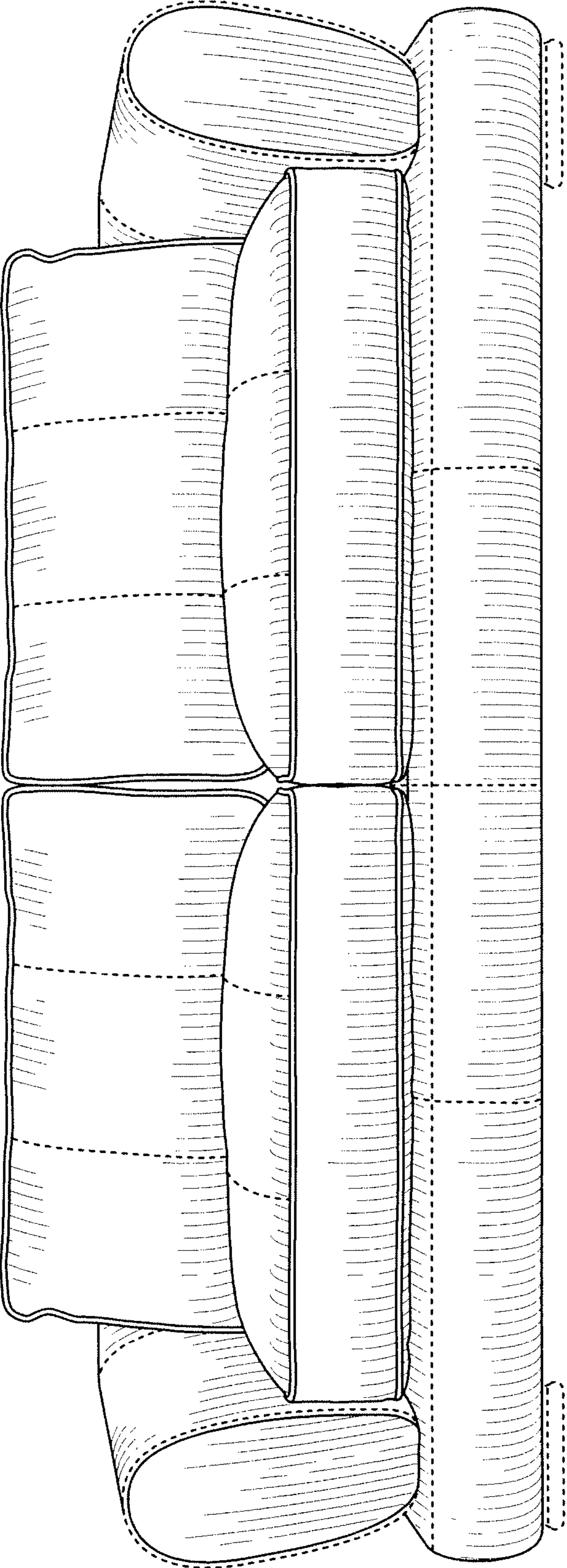


FIG. 2

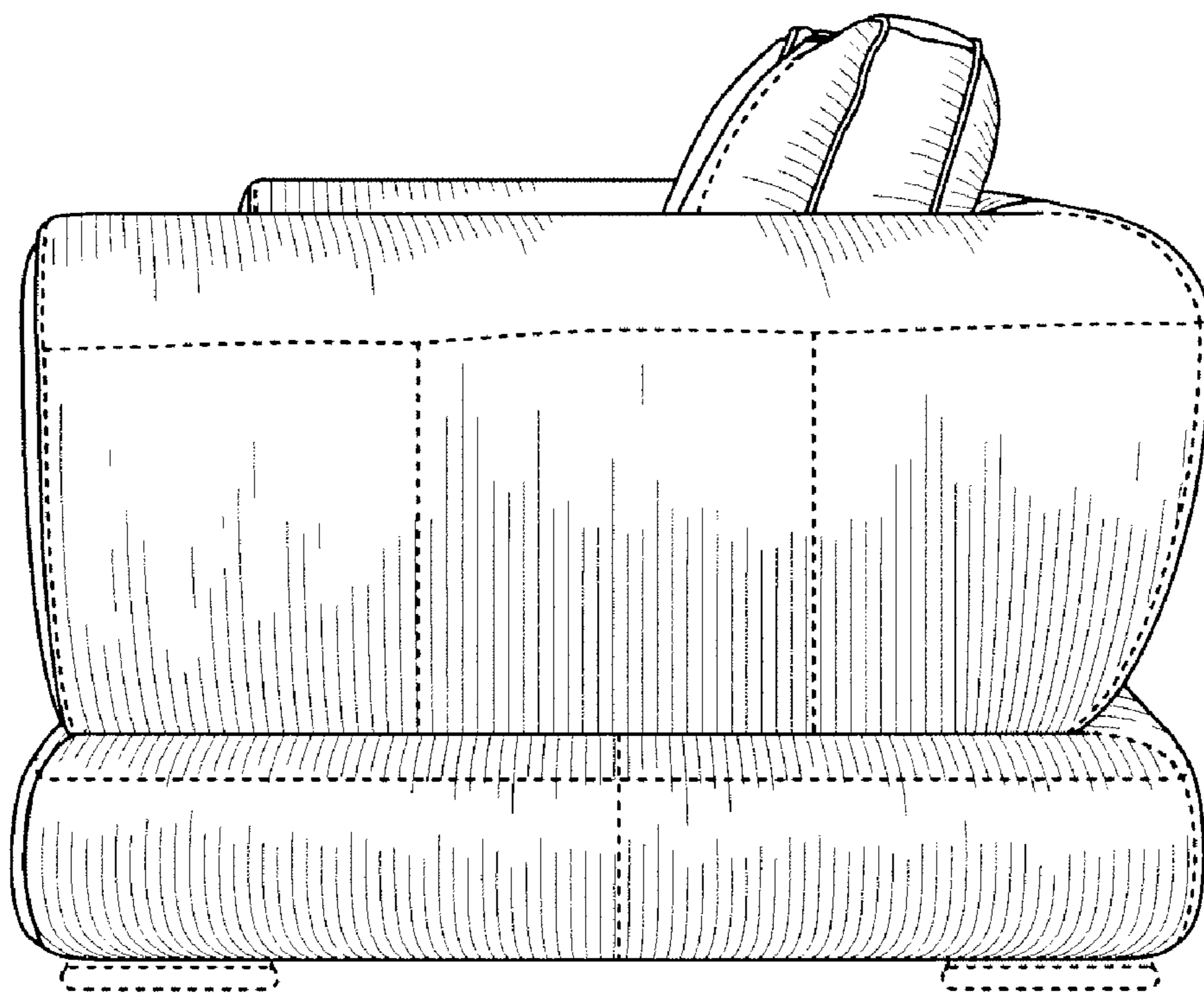


FIG. 3

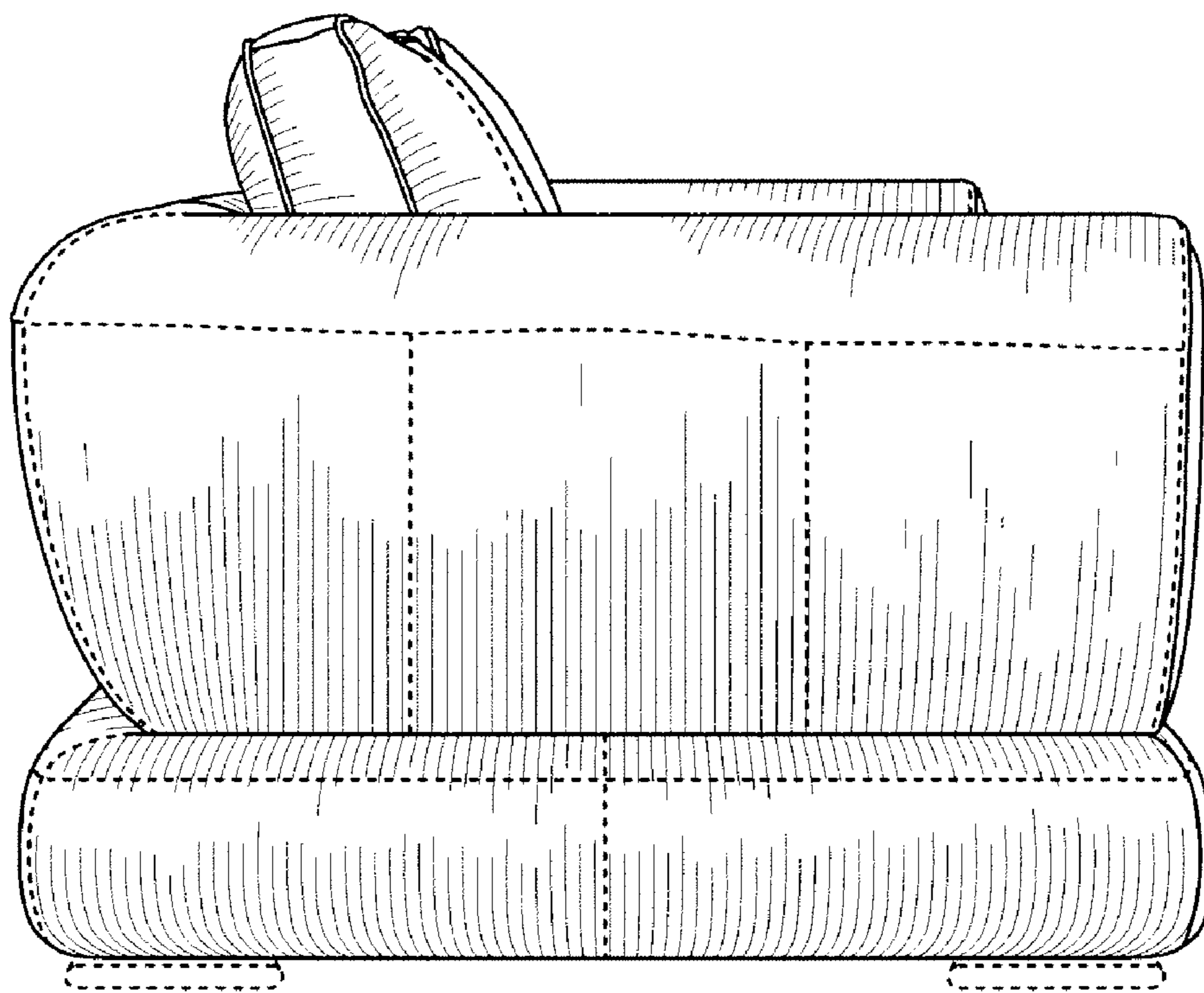


FIG. 4

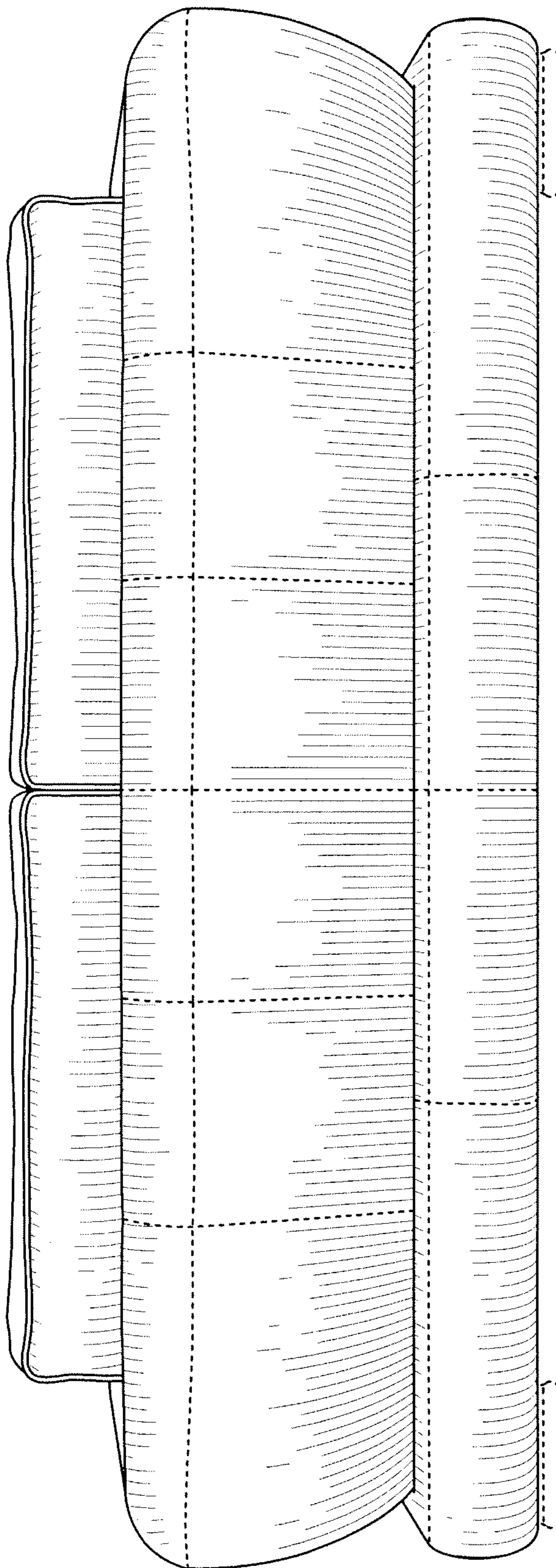


FIG. 5