



US00D578792S

(12) **United States Design Patent**
Skalka

(10) **Patent No.:** **US D578,792 S**

(45) **Date of Patent:** **** Oct. 21, 2008**

(54) **BENCH**

(75) Inventor: **Gerald Skalka**, Potomac, MD (US)

(73) Assignee: **Victor Stanley, Inc.**, Dunkirk, MD (US)

(**) Term: **14 Years**

(21) Appl. No.: **29/290,319**

(22) Filed: **Nov. 19, 2007**

(51) **LOC (8) Cl.** **06-01**

(52) **U.S. Cl.** **D6/381**

(58) **Field of Classification Search** D6/344,
D6/349, 355, 357, 367, 368, 370, 374-381,
D6/500-502; 297/175, 232, 233, 283.2,
297/283.3, 445.1, 448.1, 452.12, 452.38,
297/452.48, 461, 462; 5/12.1, 12.2

See application file for complete search history.

(56) **References Cited**

U.S. PATENT DOCUMENTS

| | | | | |
|---------------|---------|--------------|-------|------------|
| D99,774 S * | 5/1936 | Birren | | D6/370 |
| D229,591 S * | 12/1973 | Trail | | D6/370 |
| D327,586 S | 7/1992 | Skalka | | |
| D360,538 S * | 7/1995 | Skalka | | D6/370 |
| D365,937 S | 1/1996 | Skalka | | |
| D369,692 S | 5/1996 | Skalka | | |
| D370,570 S * | 6/1996 | Green et al. | | D6/370 |
| D386,012 S | 11/1997 | Skalka | | |
| D423,239 S * | 4/2000 | Hornyak | | D6/355 |
| D424,315 S * | 5/2000 | Jeng | | D6/370 |
| 6,139,110 A * | 10/2000 | Jeng | | 297/452.39 |
| D440,060 S * | 4/2001 | Slear | | D6/349 |
| D446,399 S * | 8/2001 | Slear | | D6/370 |
| D457,738 S * | 5/2002 | Slear et al. | | D6/355 |
| D465,936 S * | 11/2002 | Arnold | | D6/349 |

| | | | | |
|--------------|--------|---------------|-------|--------|
| D474,618 S * | 5/2003 | Arnold et al. | | D6/370 |
| D526,805 S | 8/2006 | Skalka | | |
| D542,993 S | 5/2007 | Skalka | | |

* cited by examiner

Primary Examiner—Sandra Snapp

(74) *Attorney, Agent, or Firm*—Jacobson Holman PLLC

(57) **CLAIM**

The ornamental design for a bench, as shown and described.

DESCRIPTION

FIG. 1 is a isometric view of a bench showing a first embodiment of my new design.

FIG. 2 is a right side elevational view of the bench of FIG. 1, the left side elevational view being a mirror image thereof.

FIG. 3 is a front elevational view of the bench of FIG. 1.

FIG. 4 is a top plan view of the bench of FIG. 1.

FIG. 5 is a back elevational view of the bench of FIG. 1.

FIG. 6 is a bottom plan view of the bench of FIG. 1.

FIG. 7 is a isometric view of a bench showing a second embodiment of my new design.

FIG. 8 is a right side elevational view of the bench of FIG. 6, the left side elevational view being a mirror image thereof.

FIG. 9 is a front elevational view of the bench of FIG. 6.

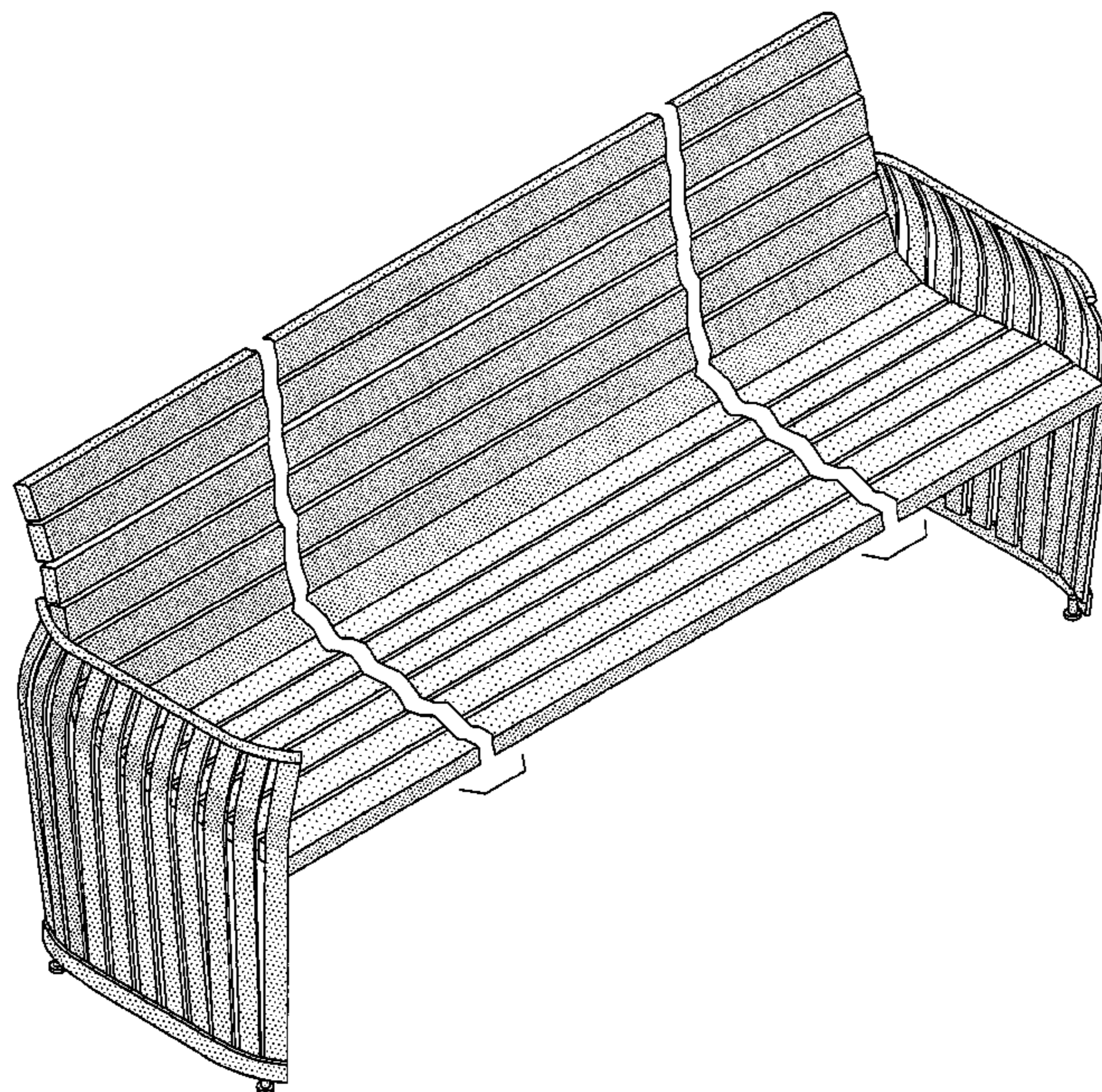
FIG. 10 is a top plan view of the bench of FIG. 6.

FIG. 11 is a back elevational view of the bench of FIG. 6; and,

FIG. 12 is a bottom plan view of the bench of FIG. 6.

The bench is shown broken-away vertically in the front elevational views to indicate that a specific length forms no part of the claimed design.

1 Claim, 6 Drawing Sheets



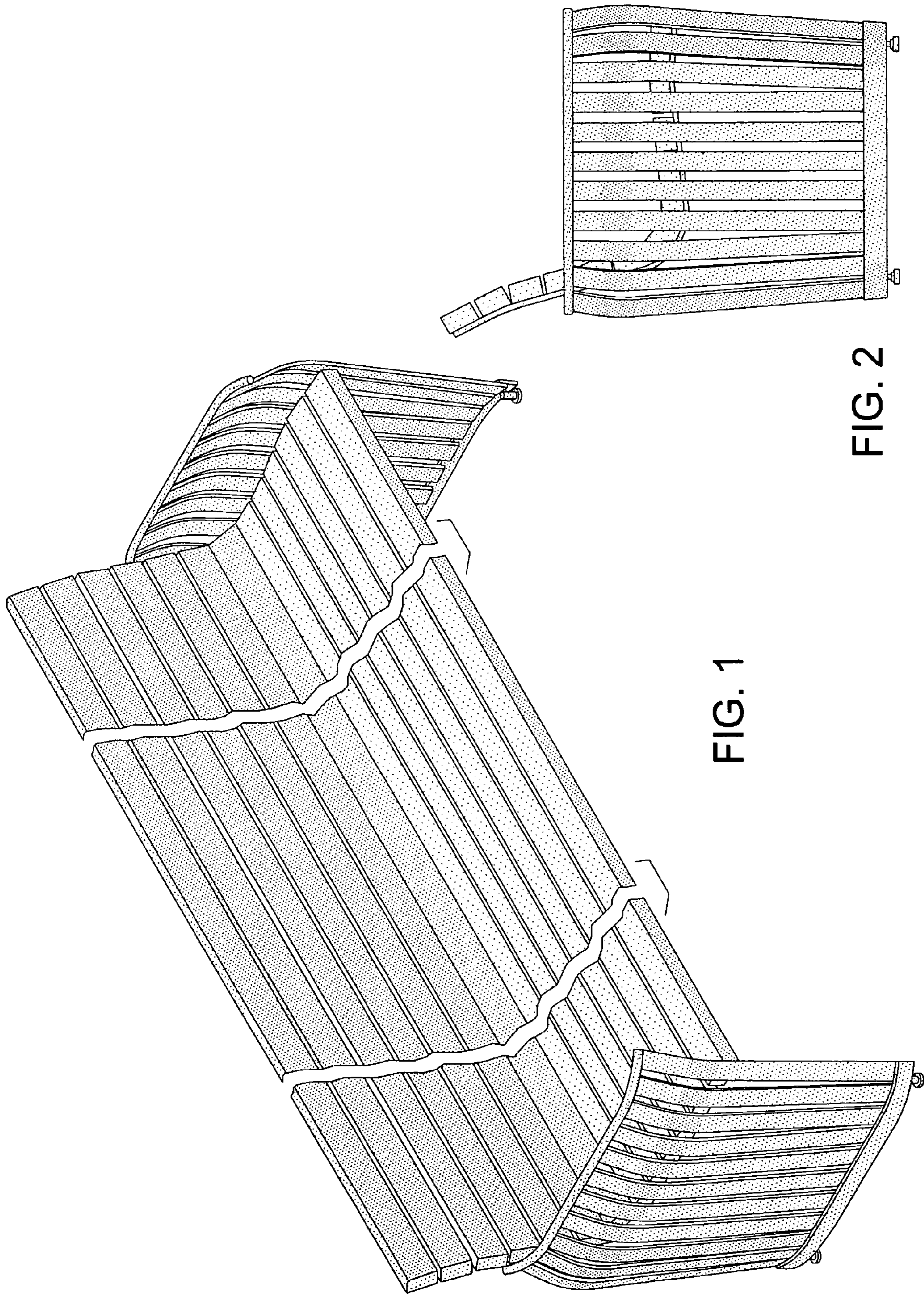


FIG. 1

FIG. 2

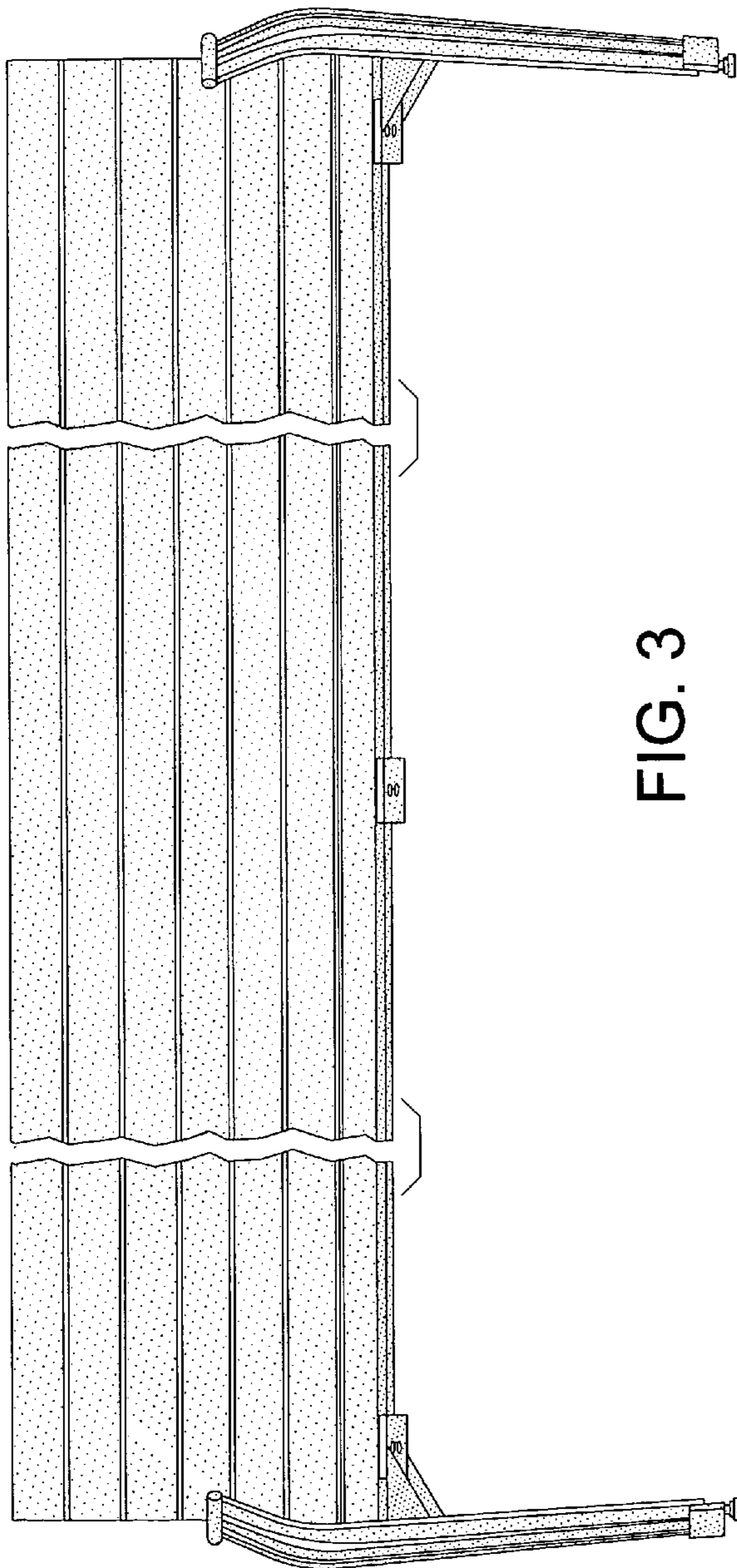


FIG. 3

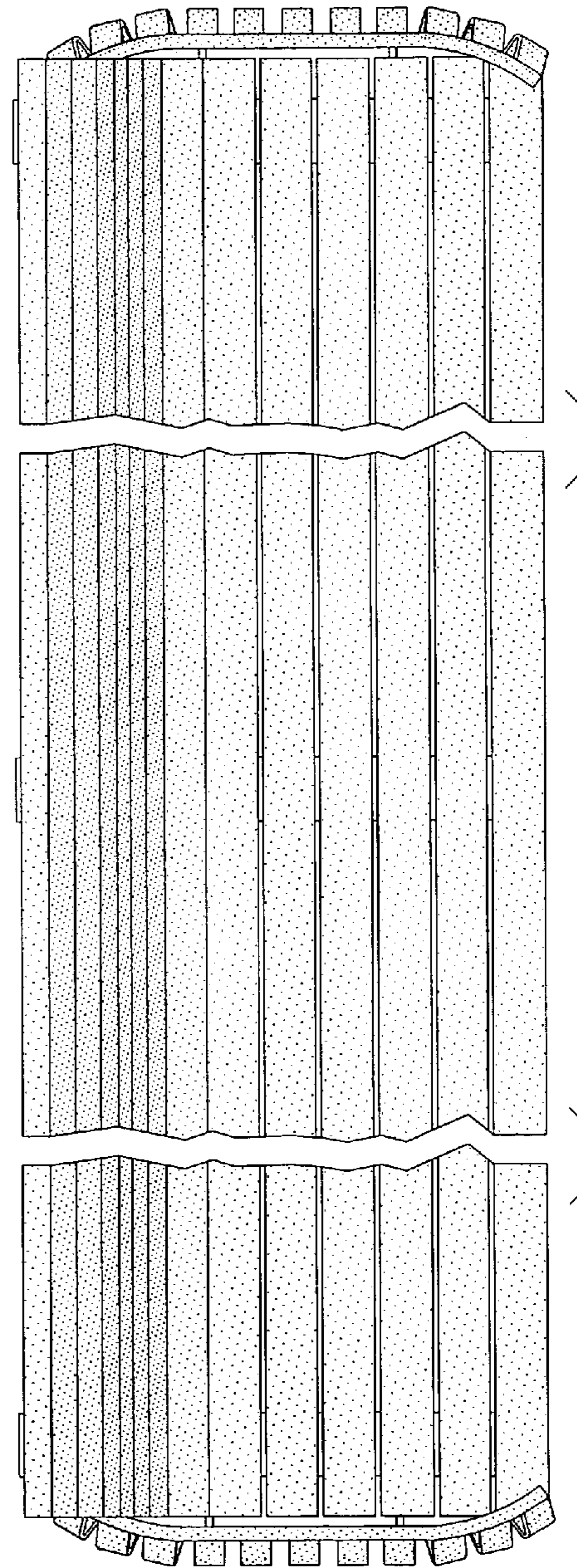


FIG. 4

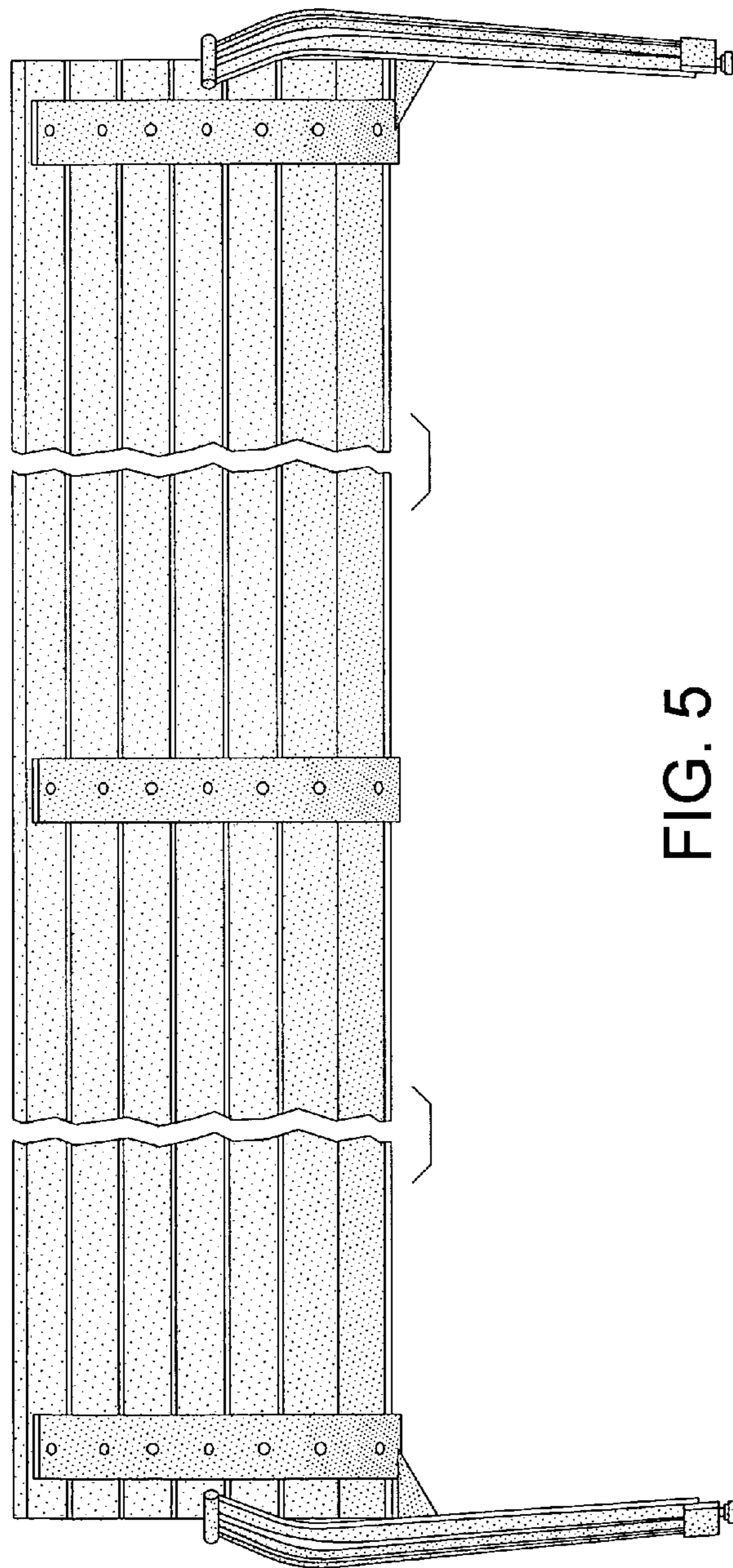


FIG. 5

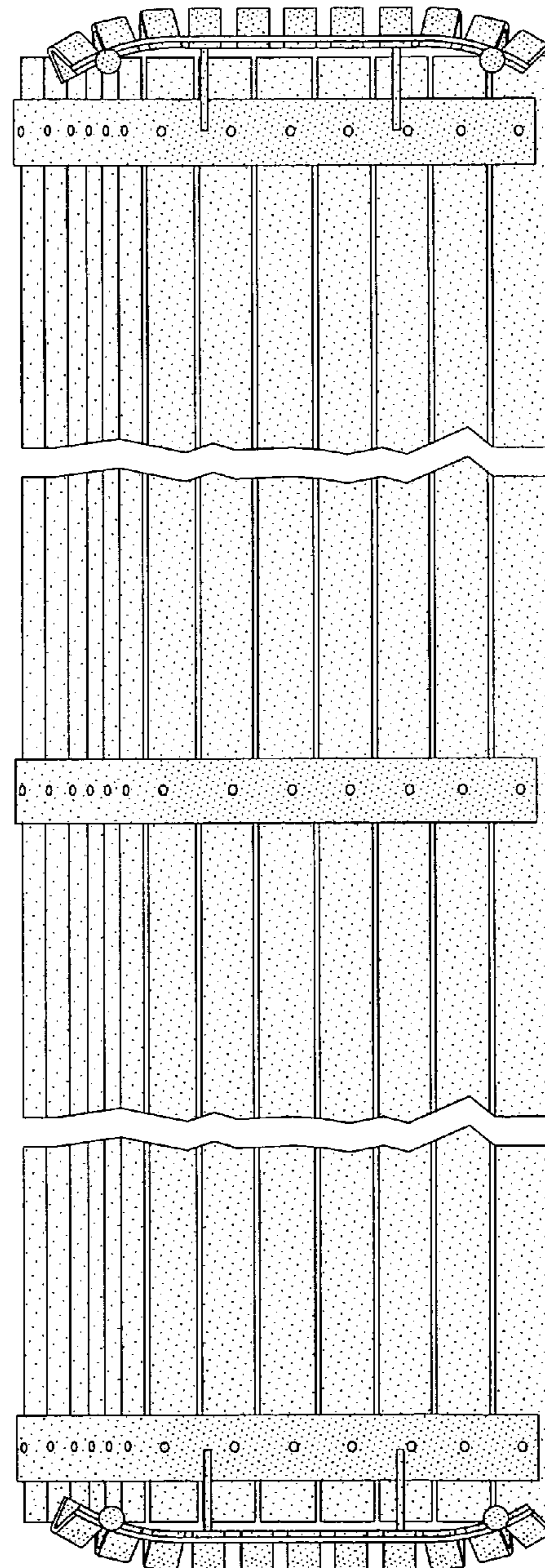
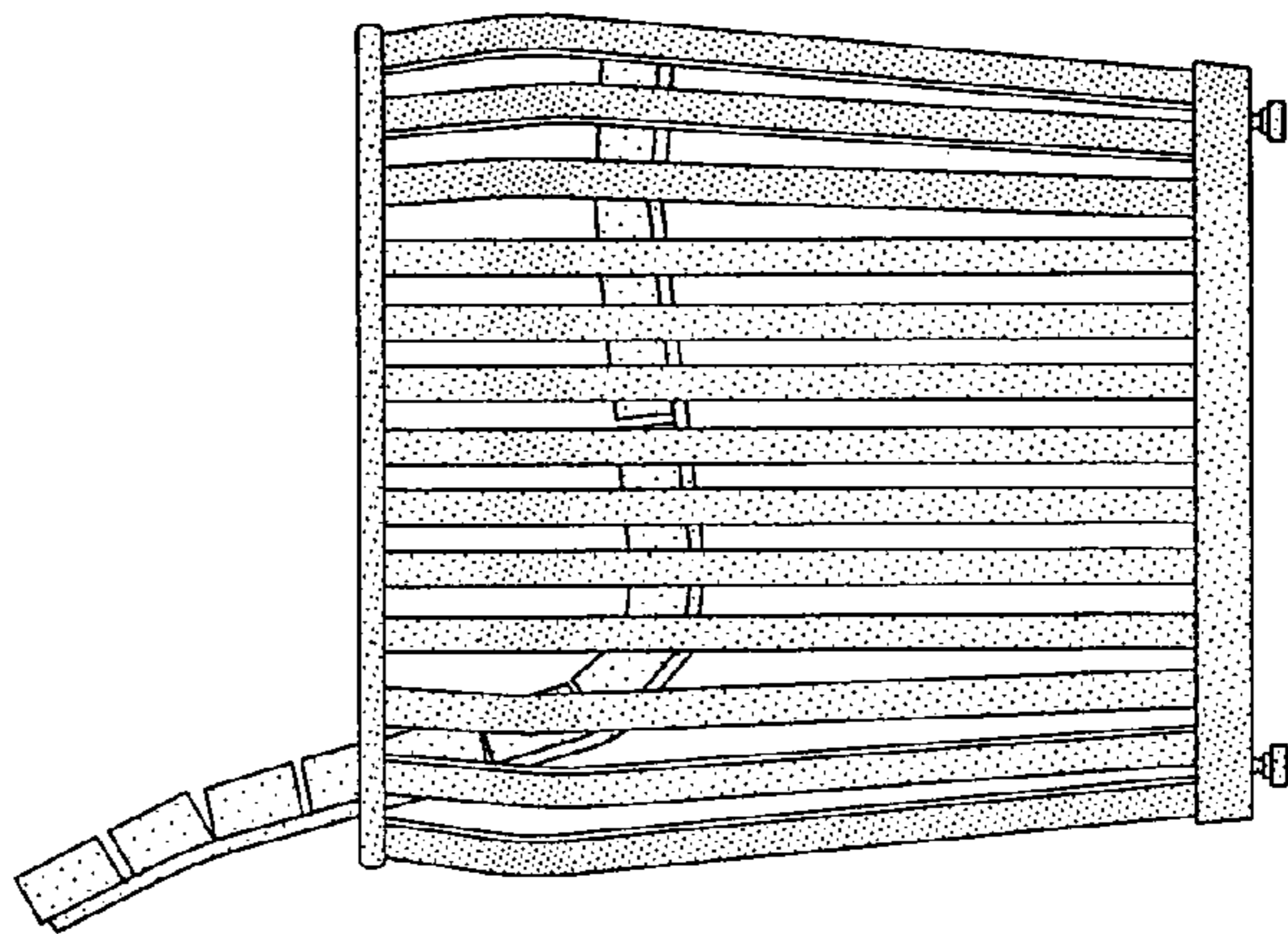
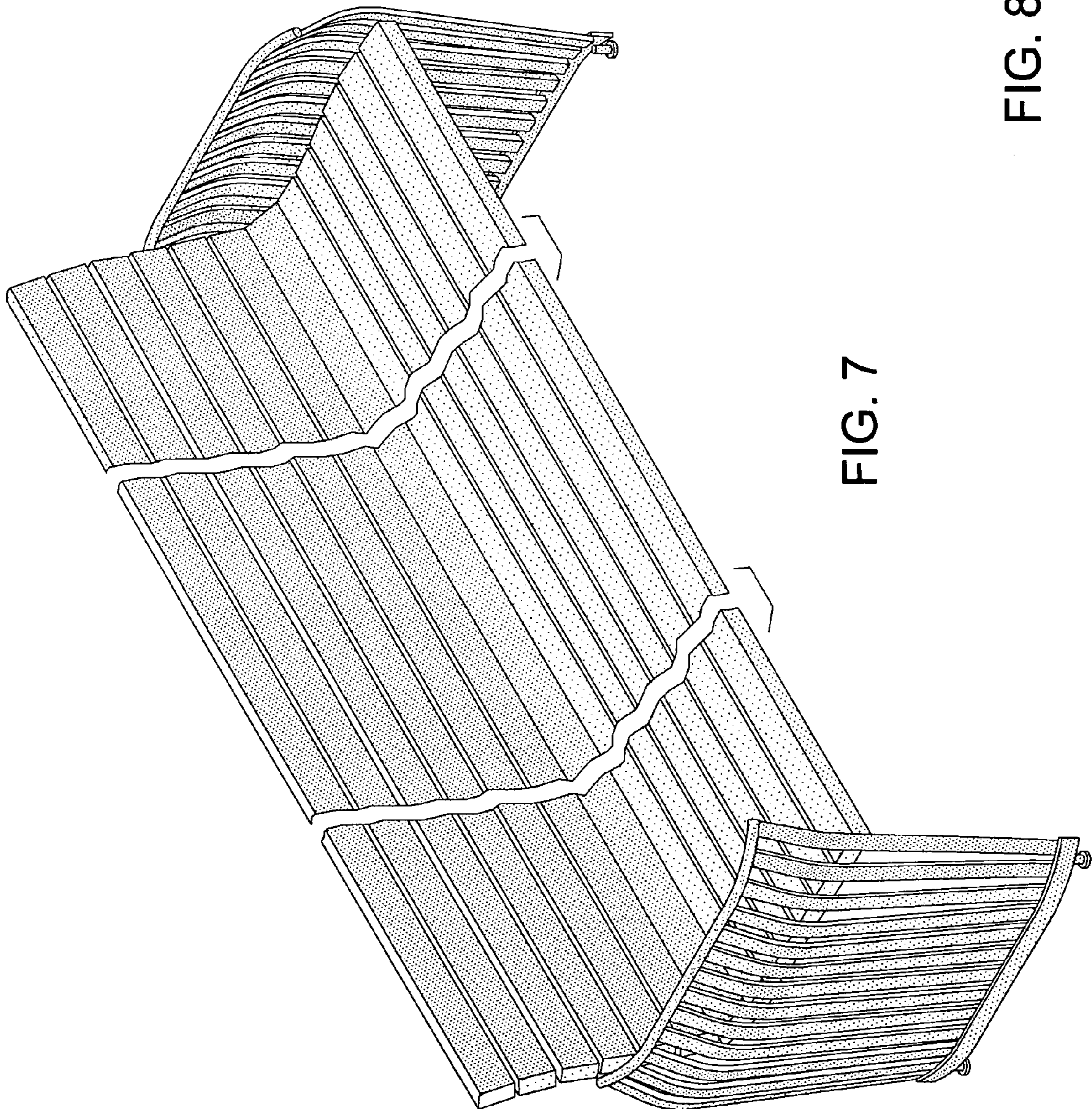


FIG. 6



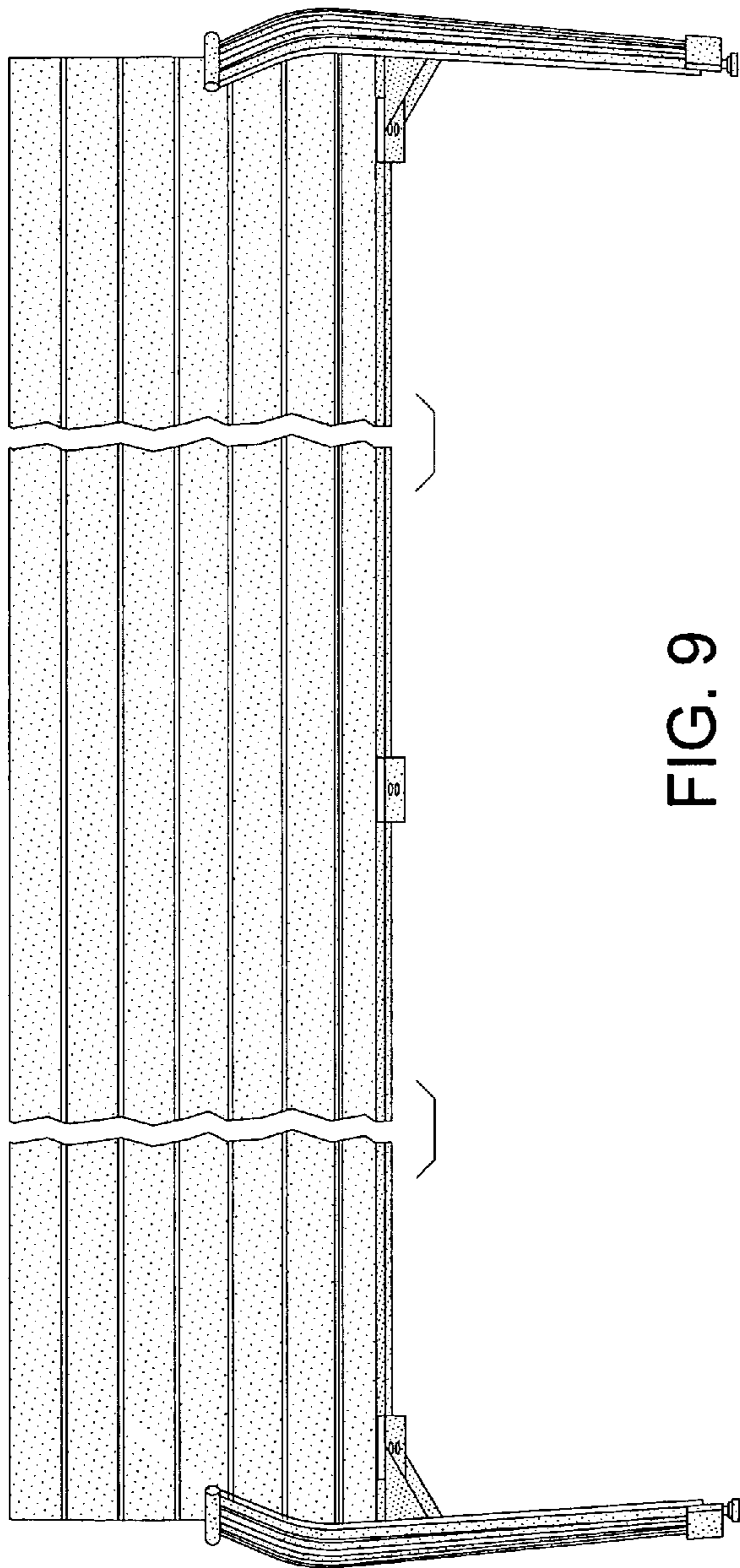


FIG. 9

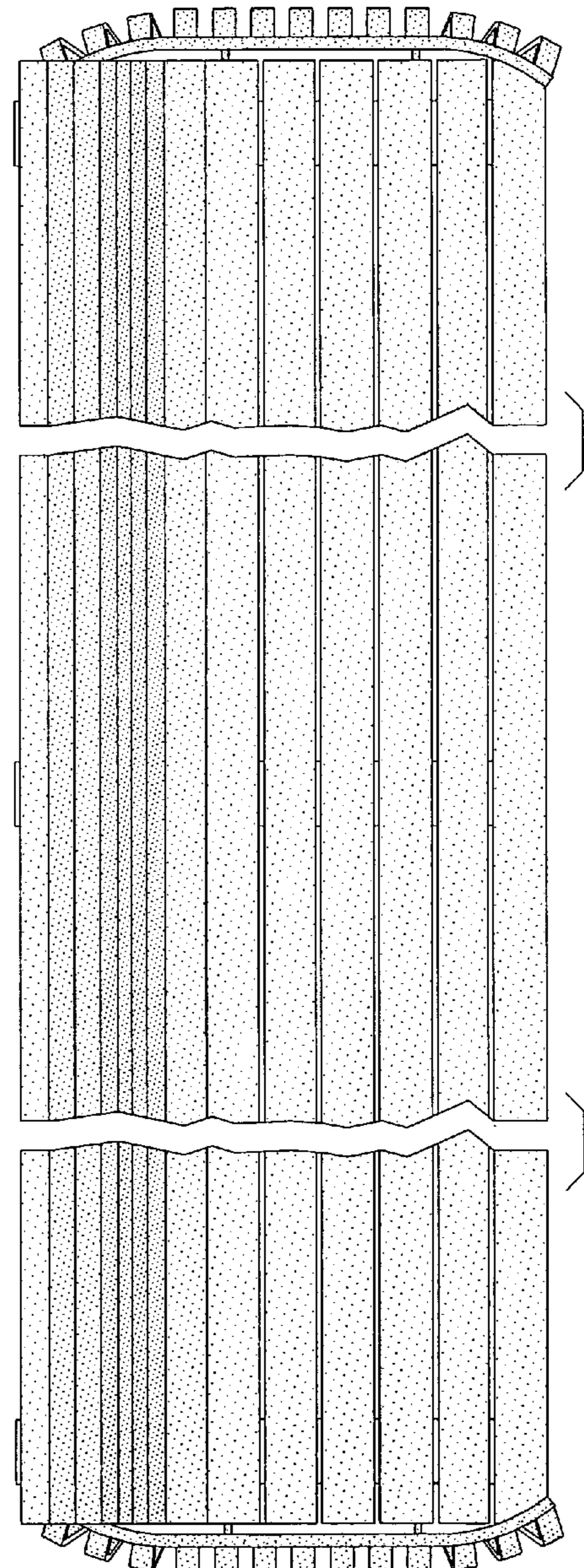


FIG. 10

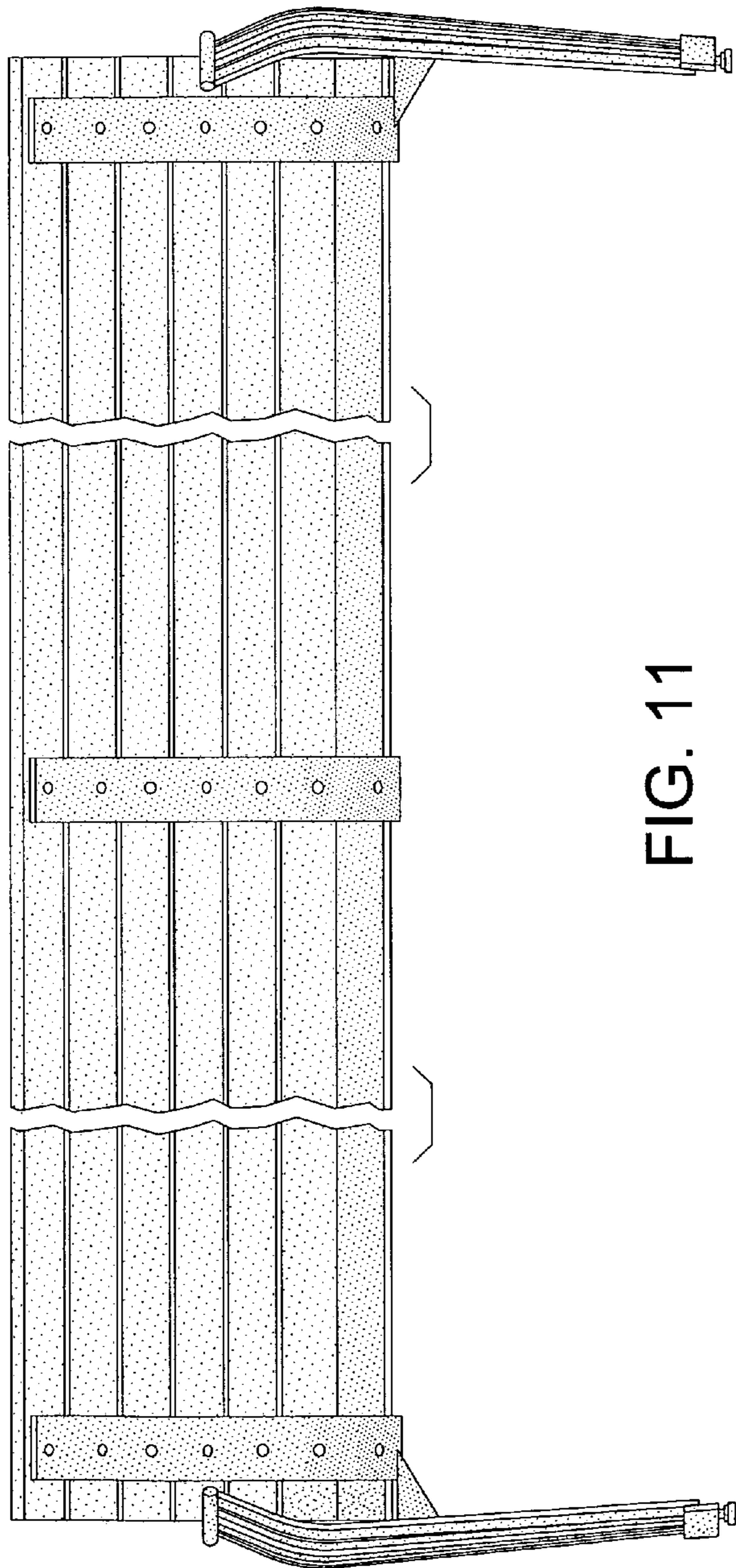


FIG. 11

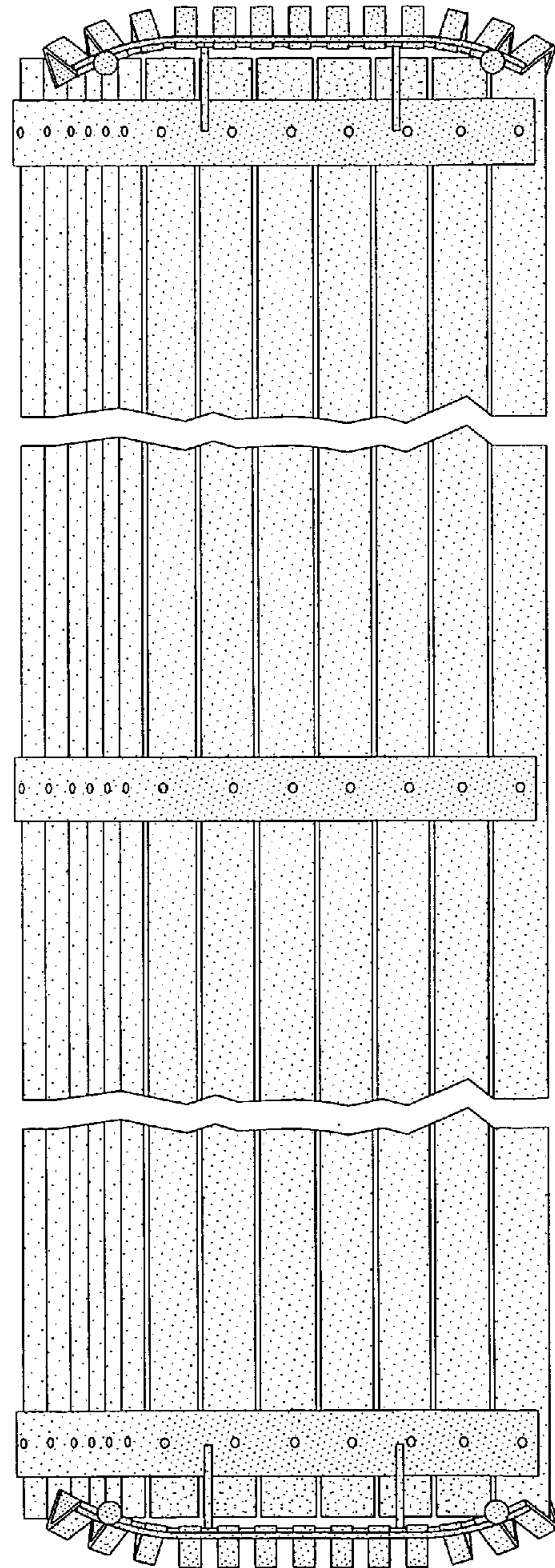


FIG. 12