



US00D578791S

(12) **United States Design Patent**  
**Shilling et al.**

(10) **Patent No.:** **US D578,791 S**

(45) **Date of Patent:** **\*\* Oct. 21, 2008**

(54) **BENCH SEAT**

D419,341 S 1/2000 Chipman  
D451,690 S 12/2001 Adamovich  
D468,126 S 1/2003 Pappas

(75) Inventors: **Jerry L. Shilling**, Syracuse, IN (US);  
**Kent Weimer**, Columbia City, IN (US)

(Continued)

(73) Assignee: **Wabash Valley Manufacturing, Inc.**,  
Silver Lake, IN (US)

**OTHER PUBLICATIONS**

(\*\*) Term: **14 Years**

(21) Appl. No.: **29/214,154**

(22) Filed: **Sep. 28, 2004**

(51) **LOC (8) Cl.** ..... **06-01**

(52) **U.S. Cl.** ..... **D6/381**

(58) **Field of Classification Search** ..... D6/334-337,  
D6/349, 369, 381, 382, 384, 390, 391, 374,  
D6/500-502; 297/232-233, 240, 242, 244-245,  
297/445.1, 446.1, 451.9, 452.11, 452.12;  
5/12.1

See application file for complete search history.

Wabash Valley 1998 Platisol Coated Furniture Catalog,  
1998, 18 pgs.\*  
2003 "Platisol" Coated Furniture Catalog, Wabash Valley  
Manufacturing, Inc. (complete catalog).  
Vinyl Coated Steel Recreational Furniture 1998 Catalog,  
Diversified Metal Fabricators, Inc.  
Superior Line Outdoor/Indoor Furniture 1996 Catalog,  
Fusion Coatings, Inc., p. 13.  
Specializing in Vinyl Coated Steel Recreational Furniture  
Catalog, Diversified Metal Fabricators, Inc., 12 Edition, Jan.  
1996.  
Recreation Catalog, Ken Coat, Inc., Dec. 1, 1995.  
2003 Fusion Coatings Benches Catalog, 2003.  
National Center on Accessibility Benches; shown on  
www.ncaonline.org, Jan. 28, 2005.  
Diversified Metal Fabricators, Inc. Benches shown on  
www.dmfine.com, Jan. 28, 2005.

(56) **References Cited**

**U.S. PATENT DOCUMENTS**

- 2,946,374 A \* 7/1960 Dickey ..... 297/452.17
- D197,512 S \* 2/1964 Poisson ..... D6/375
- D263,353 S \* 3/1982 Beals ..... D6/370
- D279,338 S \* 6/1985 Offredi ..... D6/376
- D294,782 S 3/1988 Balderi
- D295,238 S \* 4/1988 Gammelgaard ..... D6/373
- D307,219 S 4/1990 Provencher
- D321,604 S 11/1991 Paris
- D349,818 S \* 8/1994 Noll ..... D6/344
- D354,630 S 1/1995 Tomczak
- D355,783 S \* 2/1995 Noll ..... D6/381
- D365,455 S 12/1995 Tolar
- D366,775 S \* 2/1996 Kane ..... D6/370
- D369,692 S 5/1996 Skalka
- D380,313 S 7/1997 Slear
- D384,512 S 10/1997 Skalka
- D394,165 S 5/1998 Adamovich
- D401,770 S 12/1998 Jeng
- D404,581 S 1/1999 Saban
- D407,570 S \* 4/1999 Frauenberger ..... D6/368

*Primary Examiner*—Sandra Snapp

(74) *Attorney, Agent, or Firm*—E. Victor Indiano; Indiano  
Vaughan LLP

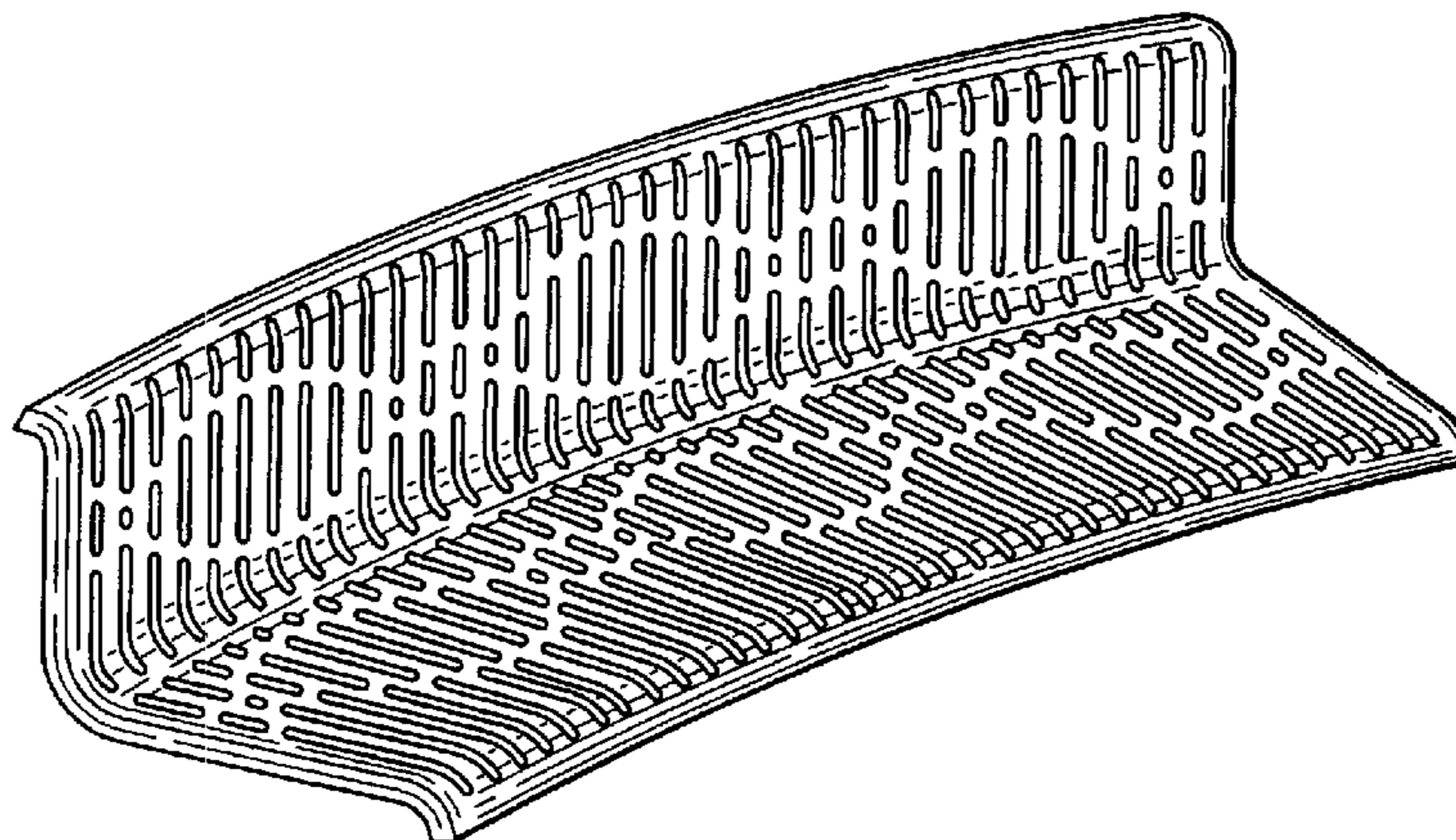
(57) **CLAIM**

The ornamental design for a bench seat, as shown and  
described.

**DESCRIPTION**

FIG. 1 is a perspective view of a bench seat showing our new  
design;  
FIG. 2 is a top view thereof;  
FIG. 3 is a front view thereof;  
FIG. 4 is a bottom view thereof;  
FIG. 5 is a right side view thereof;  
FIG. 6 is a rear view thereof; and,  
FIG. 7 is a left side view thereof.

**1 Claim, 5 Drawing Sheets**



# US D578,791 S

Page 2

---

## U.S. PATENT DOCUMENTS

D468,550 S	*	1/2003	Pappas .....	D6/381	D492,132 S	6/2004	Pappas	
D473,063 S	*	4/2003	Pappas .....	D6/381	D498,078 S	11/2004	Messier	
D473,391 S		4/2003	Haney et al.		D498,079 S	11/2004	Messier	
D483,960 S		12/2003	Chipman		D512,573 S	* 12/2005	Koenig .....	D6/335

\* cited by examiner

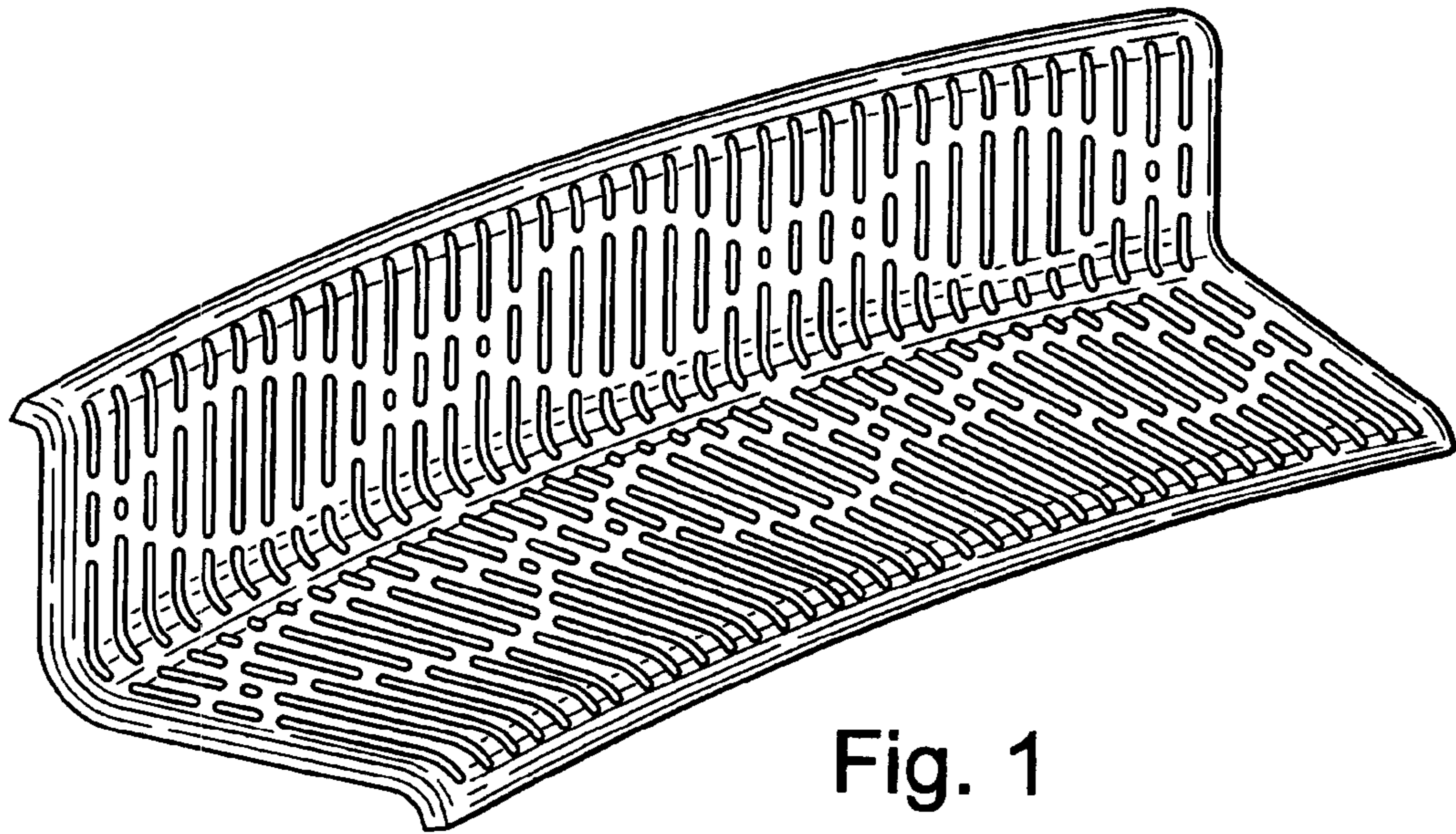


Fig. 1

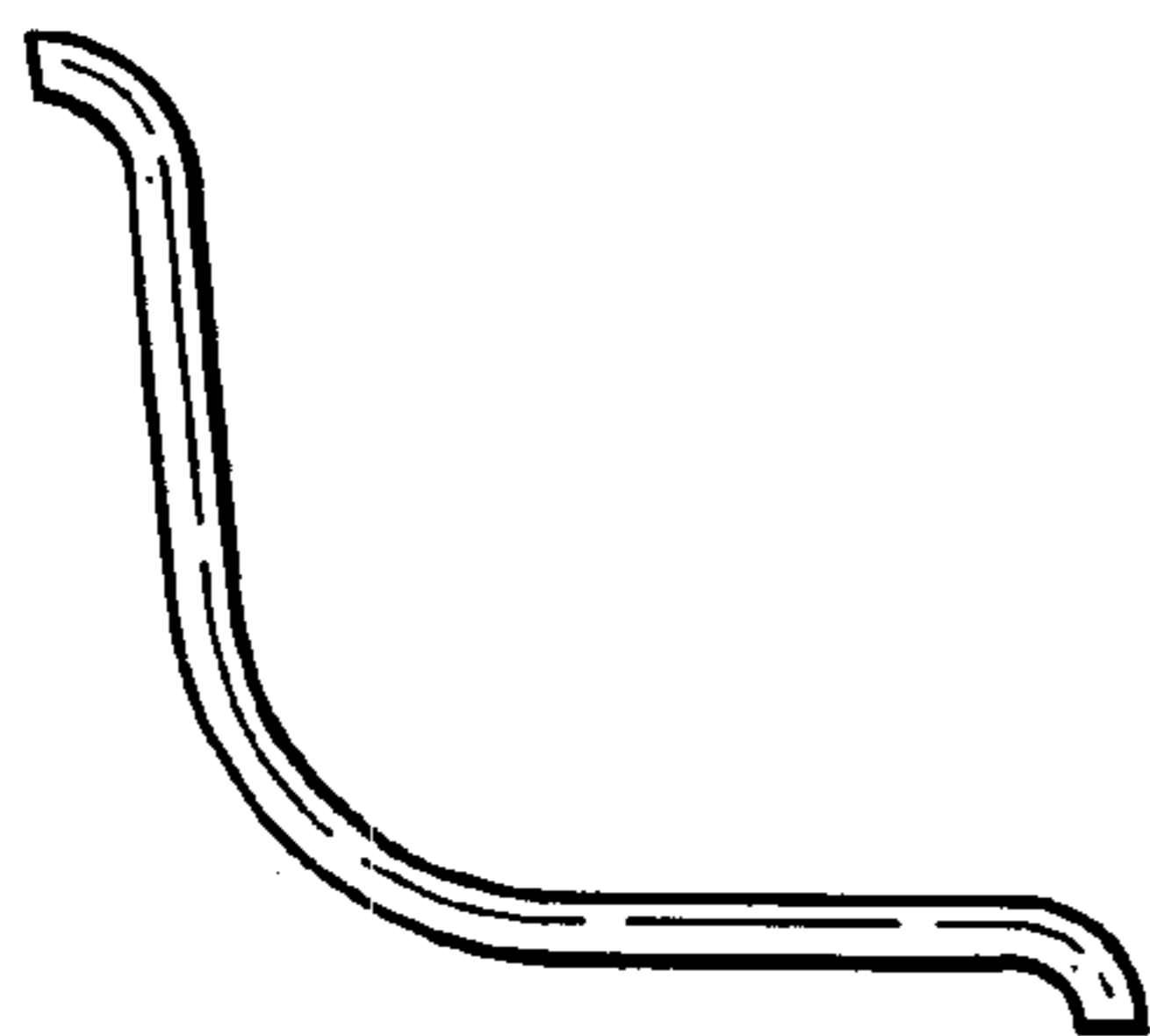


Fig. 7

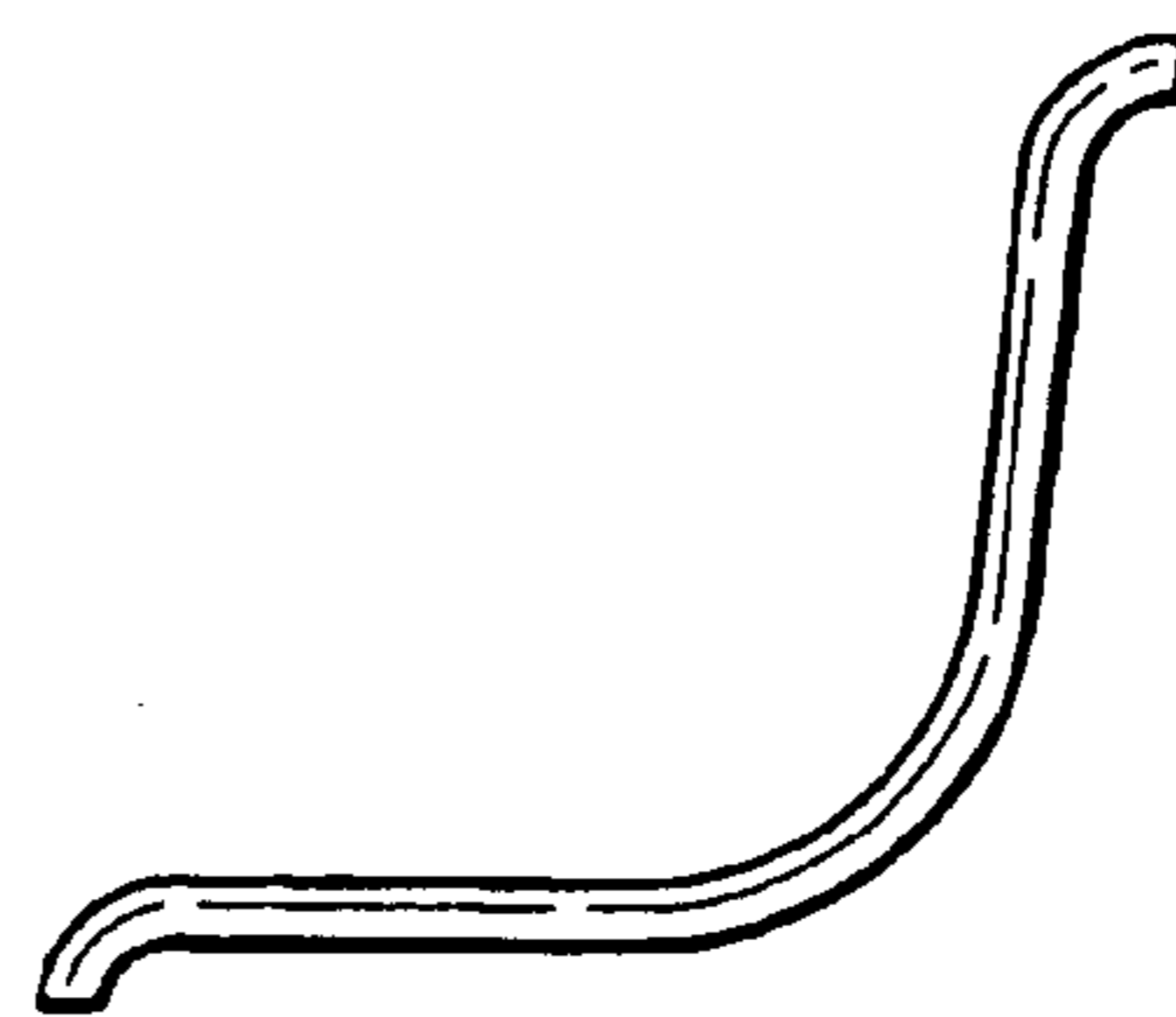


Fig. 5

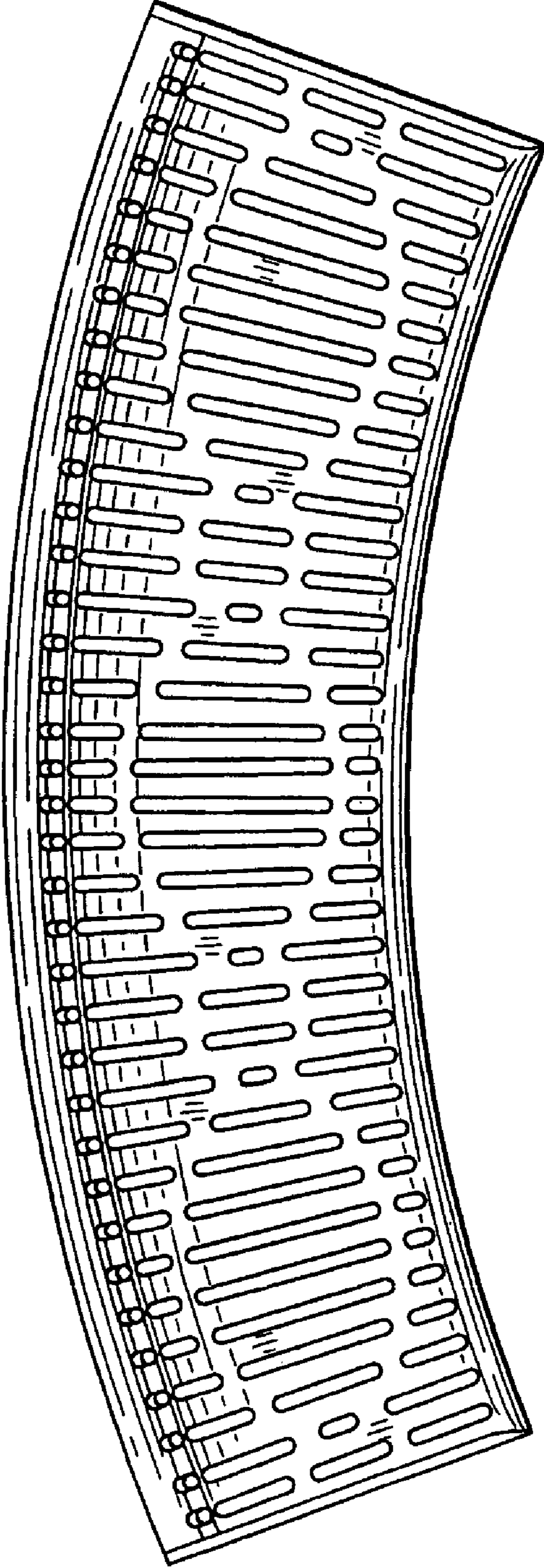


Fig. 2

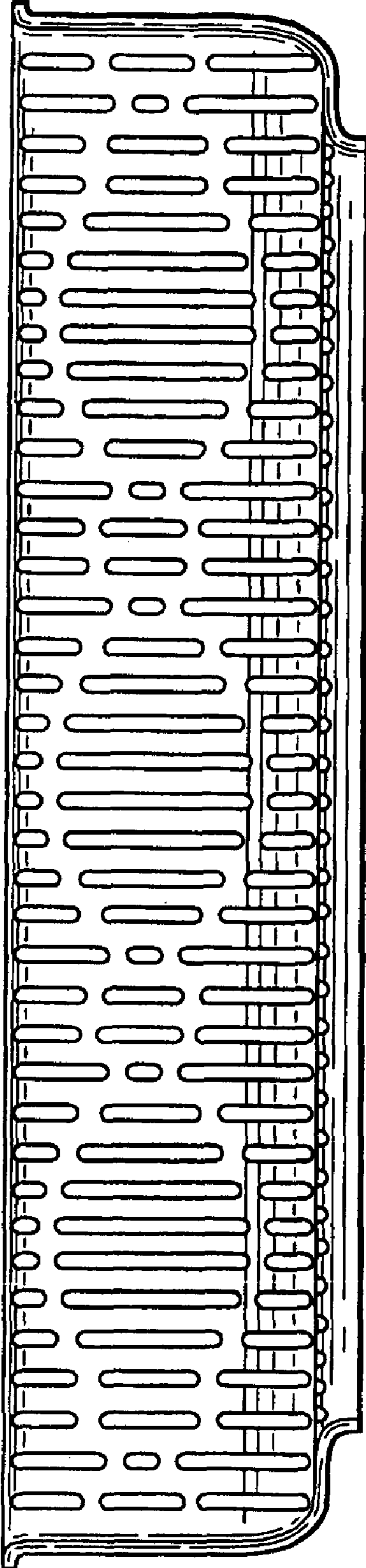


Fig. 3

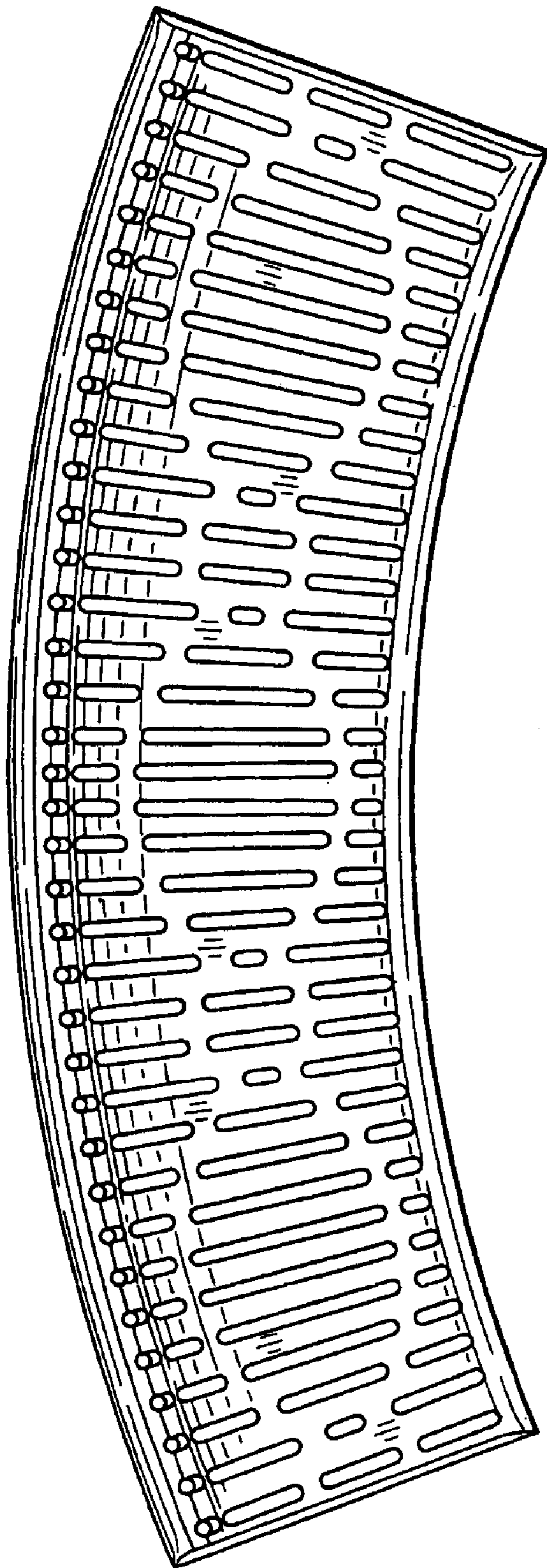


Fig. 4

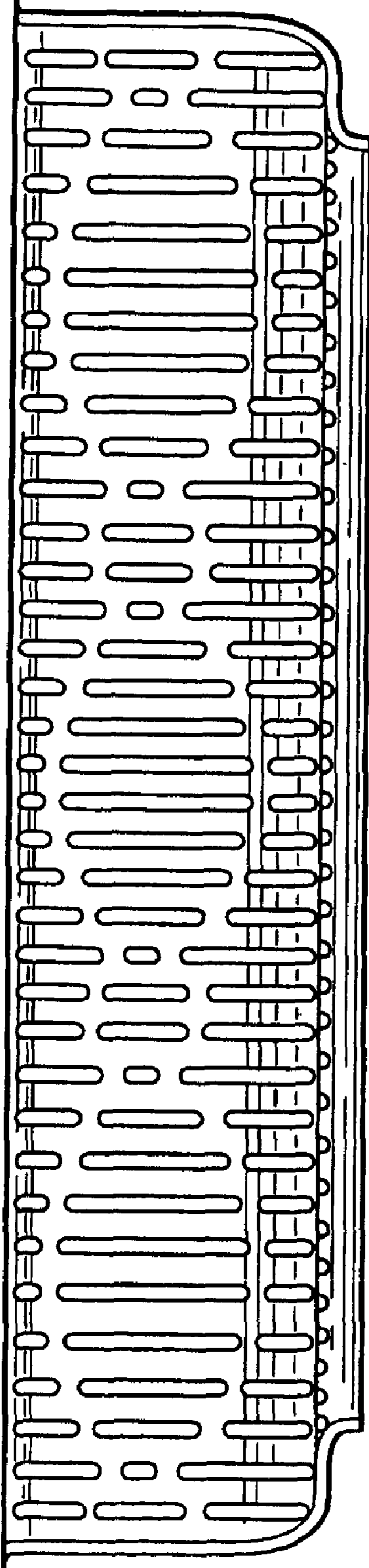


Fig. 6