



US00D578788S

(12) **United States Design Patent**
Ware

(10) **Patent No.:** **US D578,788 S**

(45) **Date of Patent:** **** Oct. 21, 2008**

(54) **CHAIR**

(75) Inventor: **Duane Ware**, Temperance, MI (US)

(73) Assignee: **Michigan Tube Swagers & Fabricators, Inc.**, Temperance, MI (US)

(**) Term: **14 Years**

(21) Appl. No.: **29/304,131**

(22) Filed: **Feb. 26, 2008**

(51) **LOC (8) Cl.** **06-01**

(52) **U.S. Cl.** **D6/374; D6/375**

(58) **Field of Classification Search** D6/334-336,
D6/348, 360, 368, 369, 370, 372, 373, 374,
D6/375, 376, 379, 380, 381, 500-502.1;
297/232, 445.1, 446.1, 448.1, 452.41, 452.63,
297/452.64, DIG. 3

See application file for complete search history.

(56) **References Cited**

U.S. PATENT DOCUMENTS

D203,589 S * 2/1966 Melchior D6/375
3,632,170 A * 1/1972 Witt 297/452.63
D294,436 S * 3/1988 Colby D6/379
D296,625 S * 7/1988 Mulhauser D6/367
D298,989 S * 12/1988 Mulhauser D6/372
D332,012 S * 12/1992 Severance D6/379

D343,529 S * 1/1994 Sanders, Jr. D6/379
D389,328 S * 1/1998 Tseng D6/361
D447,882 S * 9/2001 Kane D6/375
D497,728 S * 11/2004 Tseng D6/373
7,052,090 B2 * 5/2006 Leutert 297/452.41
2005/0269858 A1 * 12/2005 Leutert 297/452.41

* cited by examiner

Primary Examiner—Mimosa De

(74) *Attorney, Agent, or Firm*—Gifford, Krass, Groh,
Sprinkle, Anderson & Citkowski, PC

(57) **CLAIM**

The ornamental design for a chair, as shown and described.

DESCRIPTION

FIG. 1 is a perspective view of a chair according to the present invention;

FIG. 2 is a front-elevational view of the chair of FIG. 1;

FIG. 3 is a side-elevational view of the chair of FIGS. 1 and 2, the other side view being a mirror image thereof;

FIG. 4 is a rear elevational view of the chair of FIGS. 1-3;

FIG. 5 is a top plan view of the chair of FIGS. 1-4; and,

FIG. 6 is a bottom view of the chair of FIGS. 1-5.

The broken lines shown in the Figures are for environmental purposes only and form no part of the claimed design.

1 Claim, 3 Drawing Sheets

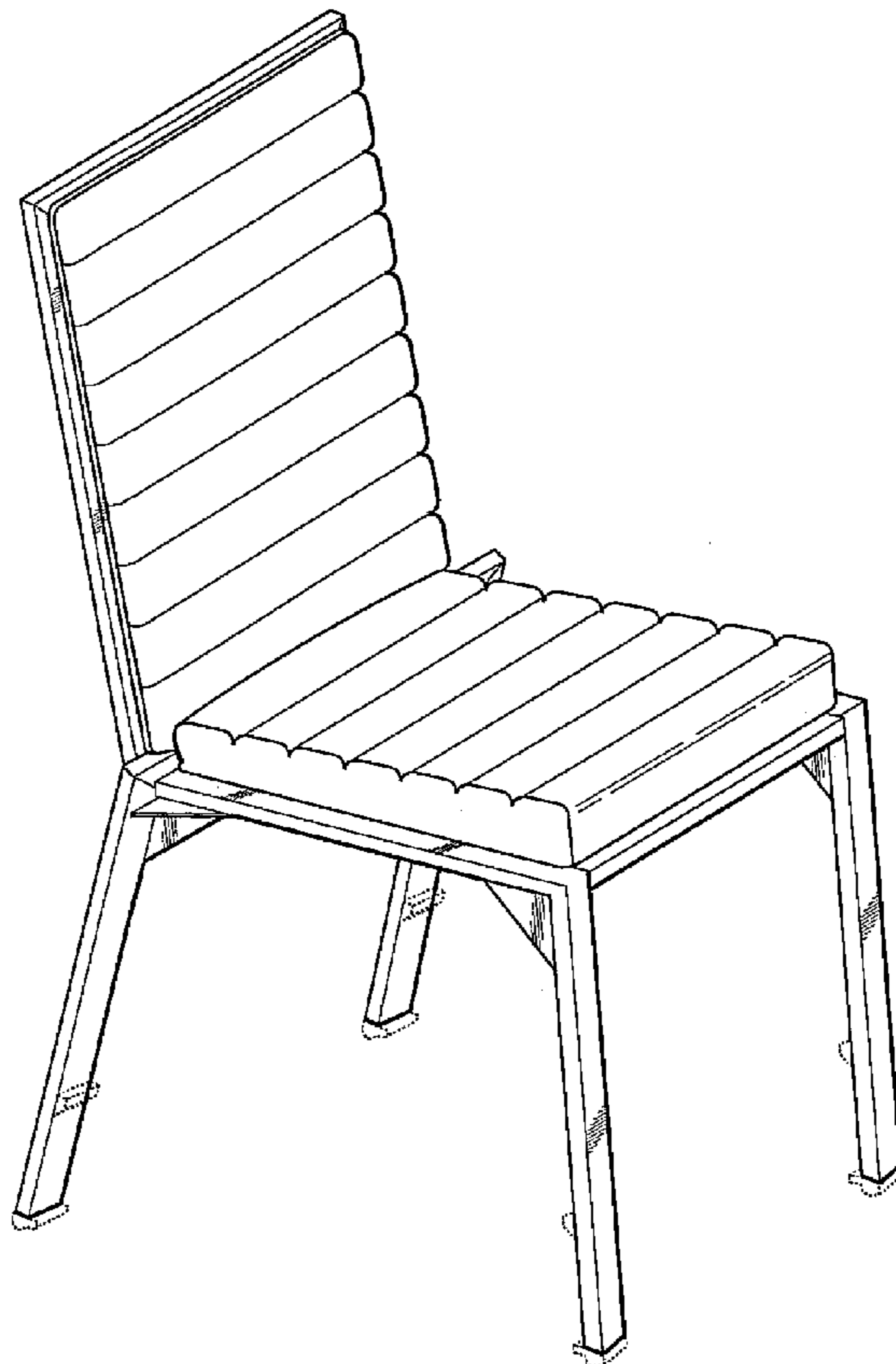
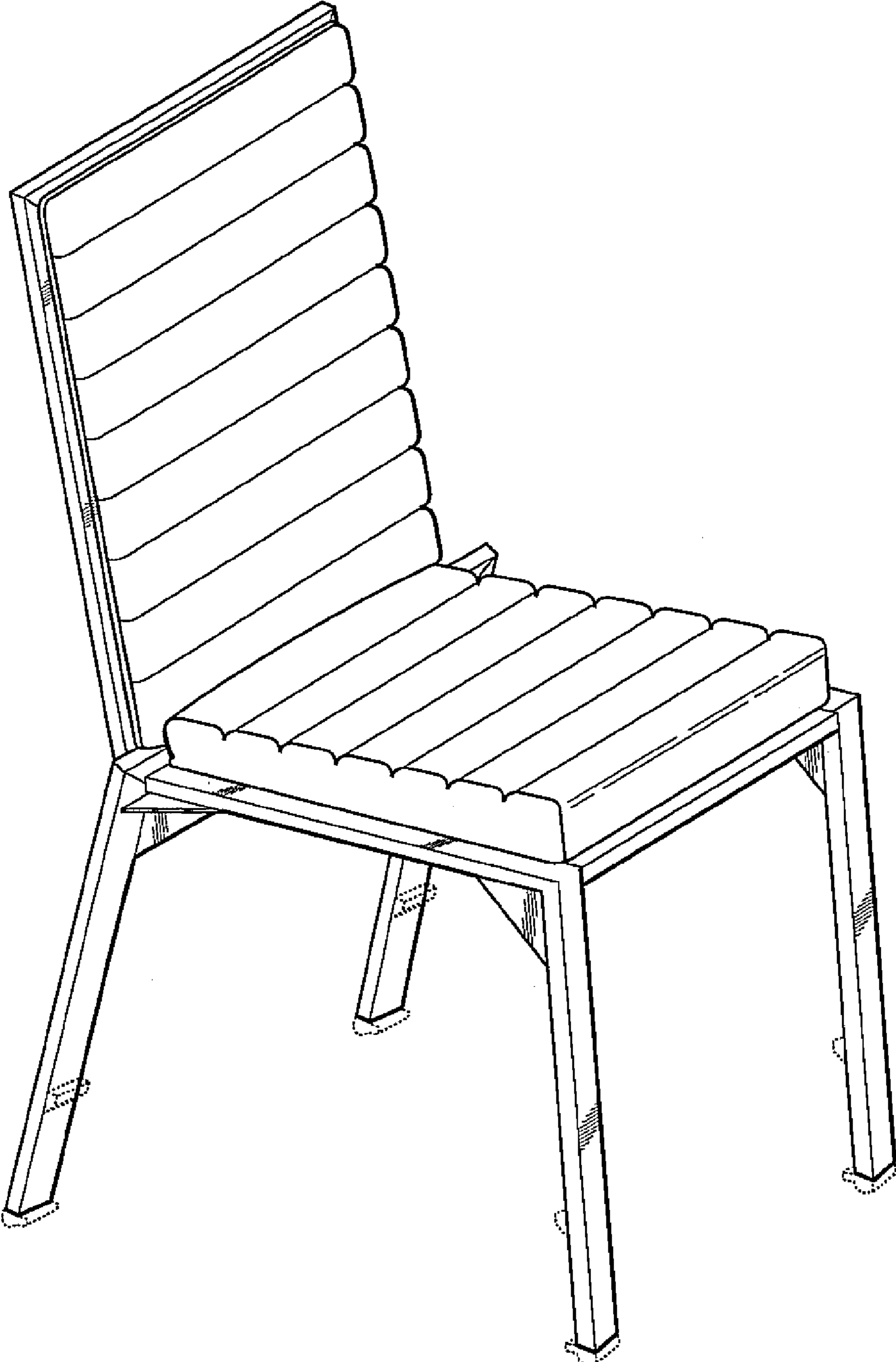


FIG - 1



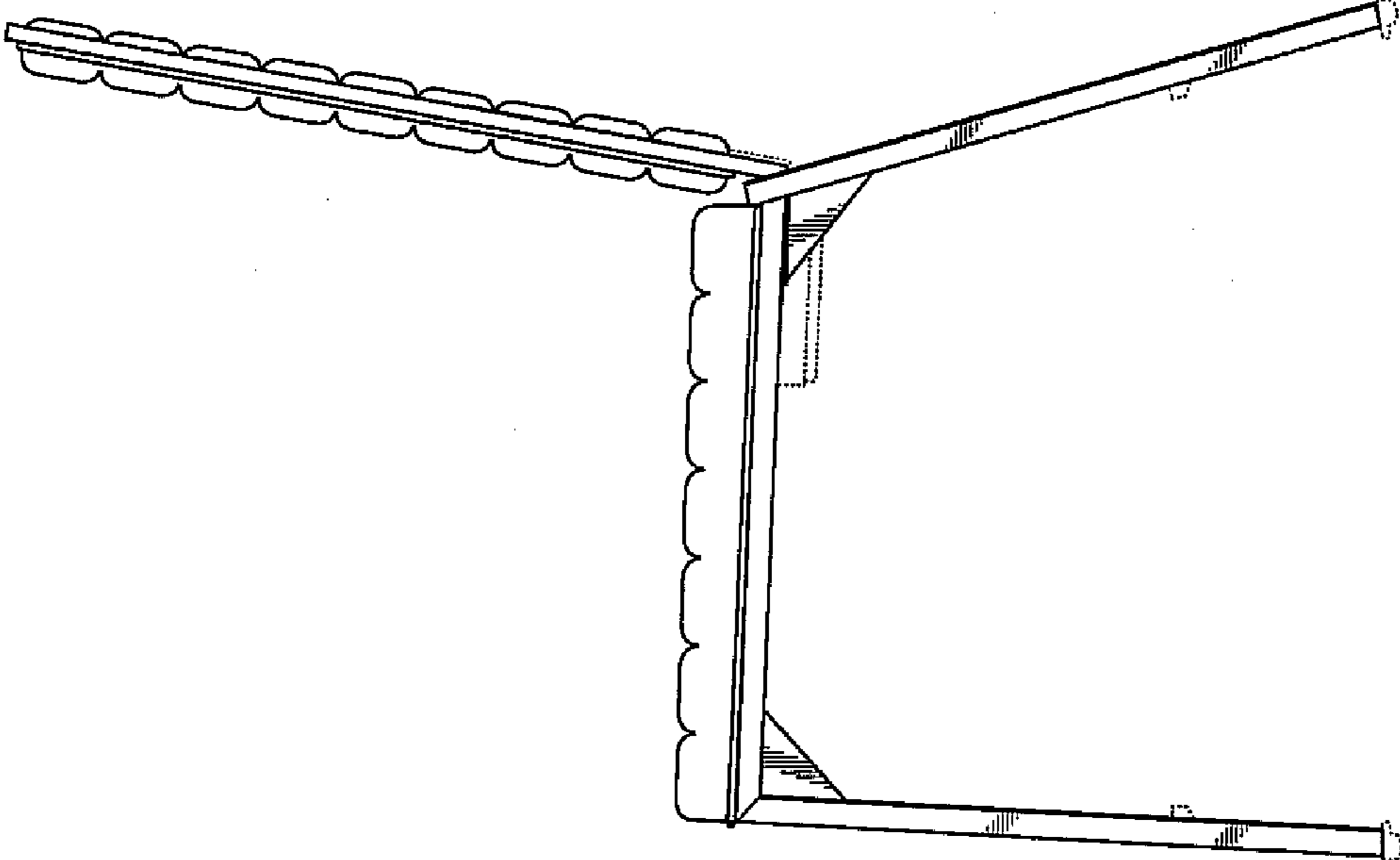


FIG - 3

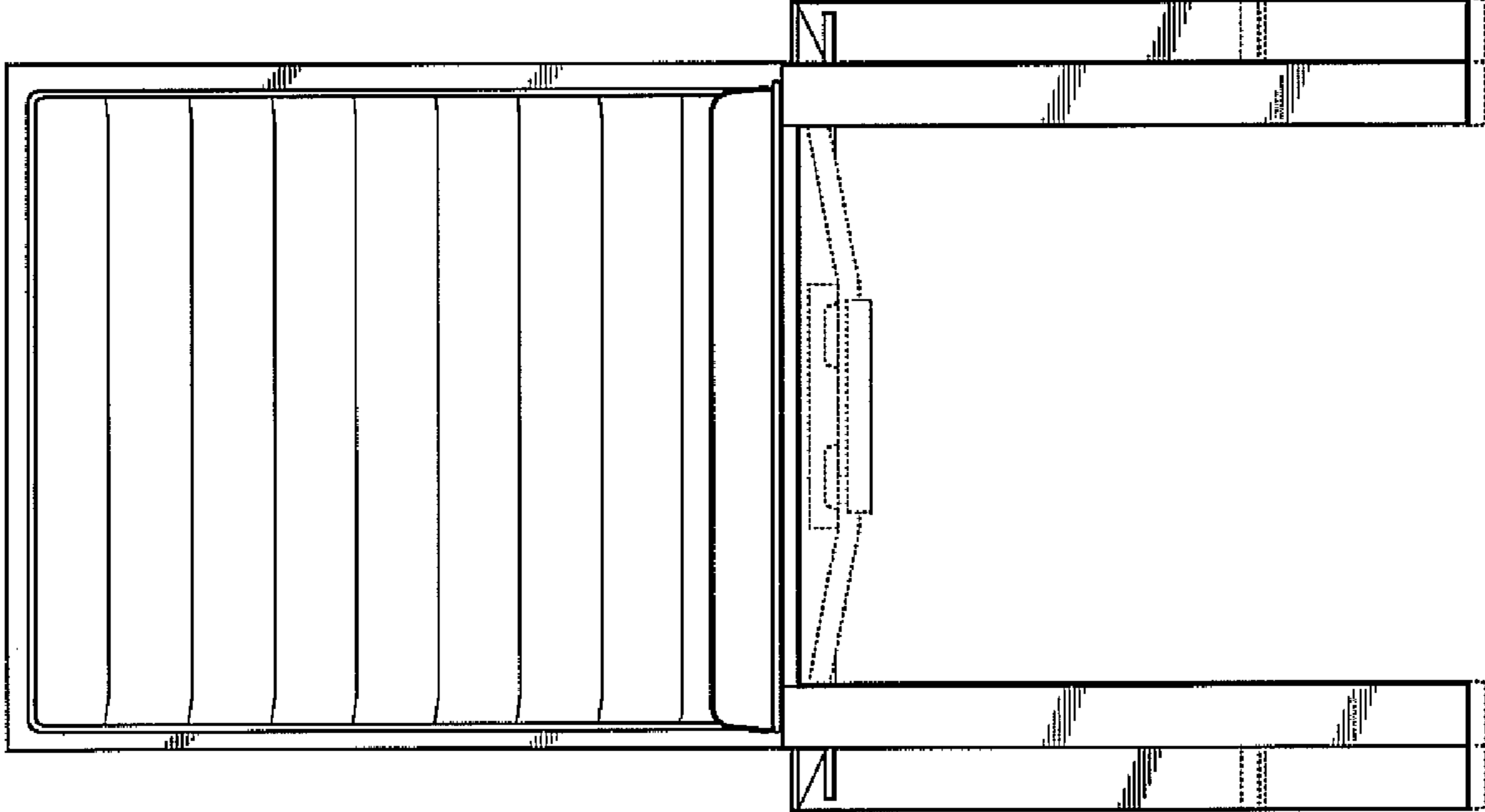


FIG - 2

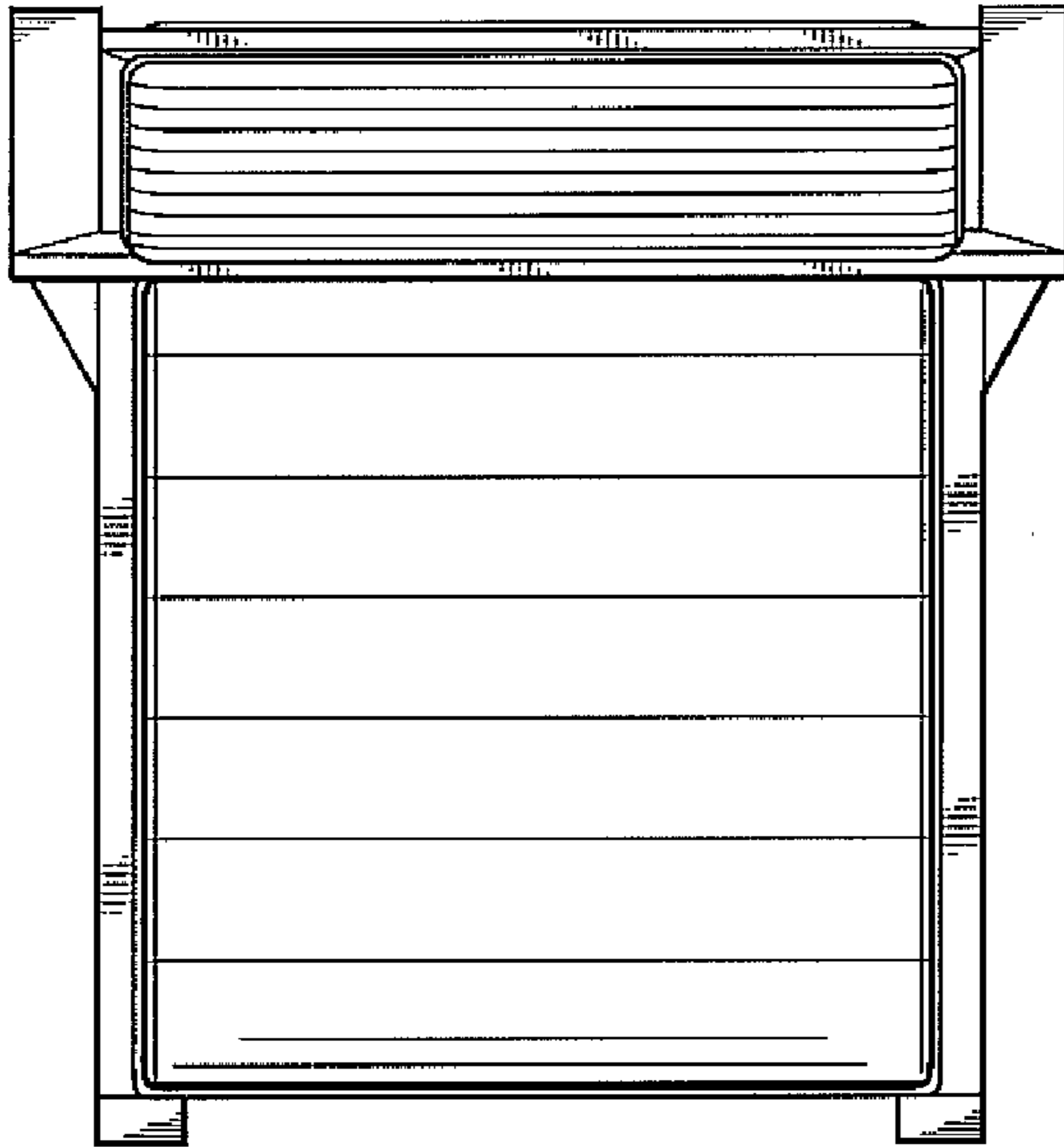


FIG - 5

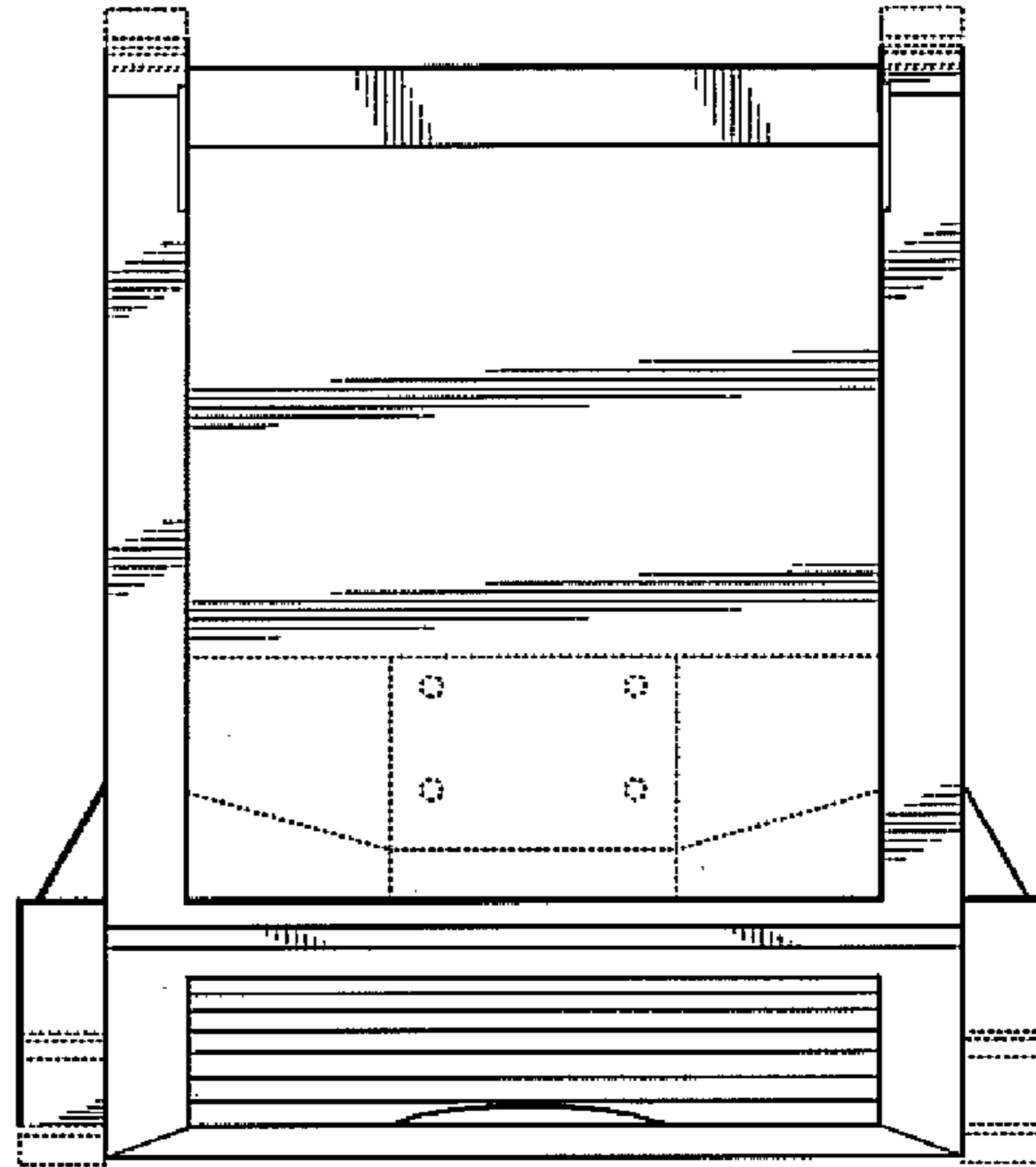


FIG - 6

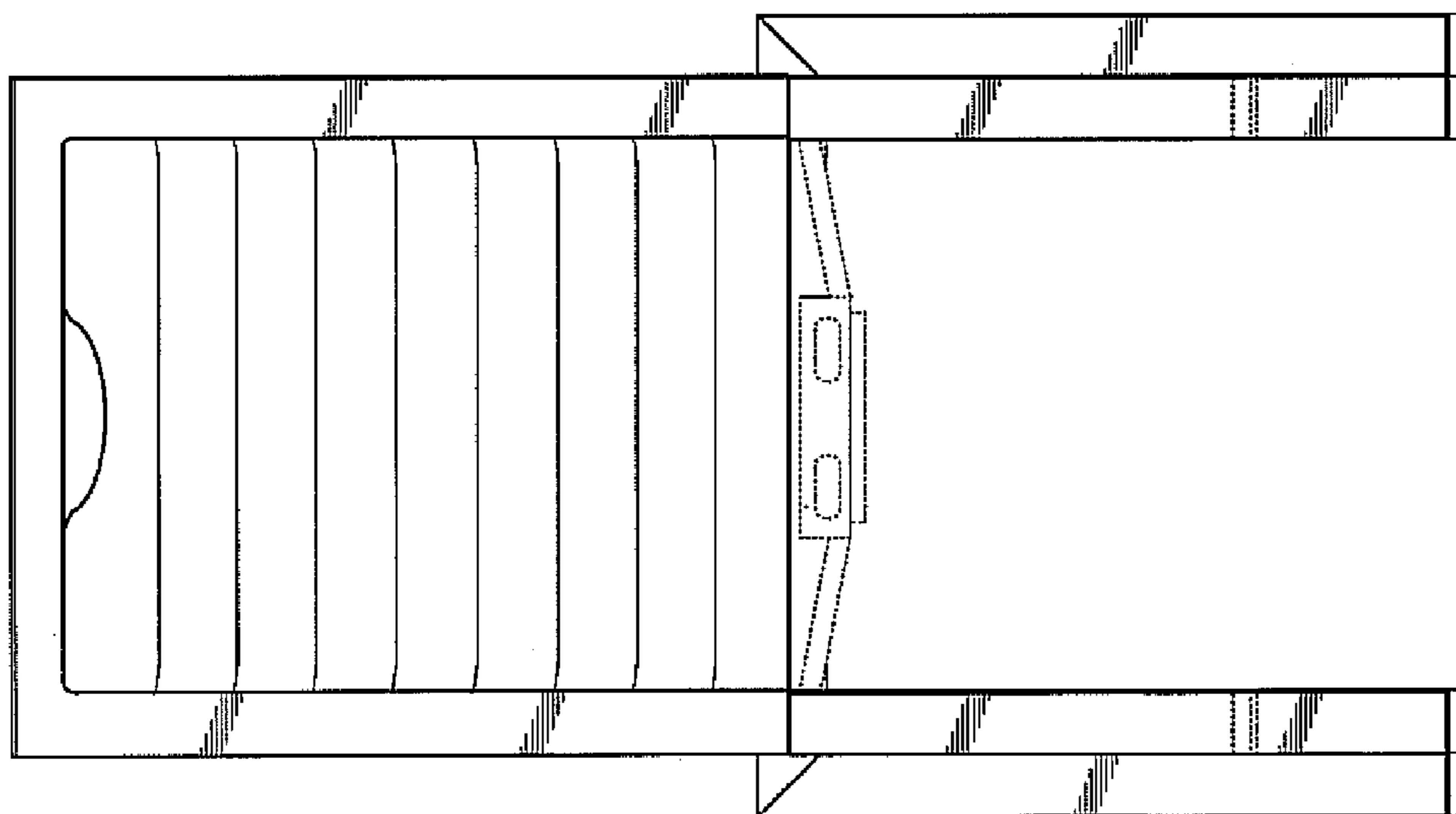


FIG - 4