



US00D578787S

(12) **United States Design Patent**
Genelli

(10) **Patent No.:** **US D578,787 S**
(45) **Date of Patent:** **** Oct. 21, 2008**

(54) **PODIATRY CHAIR**

(75) Inventor: **Angelo Silvio Genelli**, Azzanello (IT)

(73) Assignee: **Brusaferrri & C.S.R.L.**, Milan (IT)

(**) Term: **14 Years**

(21) Appl. No.: **29/295,530**

(22) Filed: **Oct. 1, 2007**

(51) **LOC (8) Cl.** **06-01**

(52) **U.S. Cl.** **D6/367**

(58) **Field of Classification Search** D6/334-336,
D6/360, 361, 365, 367, 371, 373, 379, 500-502;
D24/178, 183; 297/316, 330, 391, 396, 344.15,
297/344.17, 423.1, 423.18, 423.19
See application file for complete search history.

(56) **References Cited**

U.S. PATENT DOCUMENTS

D300,657 S *	4/1989	Simpkins et al.	D24/183
D321,097 S *	10/1991	Jones et al.	D6/367
D333,736 S *	3/1993	Nordstrom	D6/367
D347,946 S *	6/1994	Nordstrom et al.	D6/367
D361,438 S *	8/1995	Spencer et al.	D6/367
D412,621 S *	8/1999	Smith et al.	D6/367

D420,225 S *	2/2000	Lamb et al.	D6/367
D462,189 S *	9/2002	Brockway et al.	D6/367
D496,462 S *	9/2004	Walters et al.	D24/183
D525,443 S *	7/2006	Takahashi	D6/367
D565,315 S *	4/2008	Nielsen	D6/367

* cited by examiner

Primary Examiner—Mimosa De

(74) *Attorney, Agent, or Firm*—Young & Thompson

(57) **CLAIM**

The ornamental design for a podiatry chair, as shown and described.

DESCRIPTION

FIG. 1 is a top, front and side perspective view of a podiatry chair, showing my new design;

FIG. 2 is a view similar to FIG. 1 but with the parts in a different position;

FIG. 3 is a front elevational view thereof;

FIG. 4 is a rear elevational view thereof;

FIG. 5 is a side elevational view thereof; and,

FIG. 6 is a top plan view thereof.

1 Claim, 3 Drawing Sheets





FIG. 1

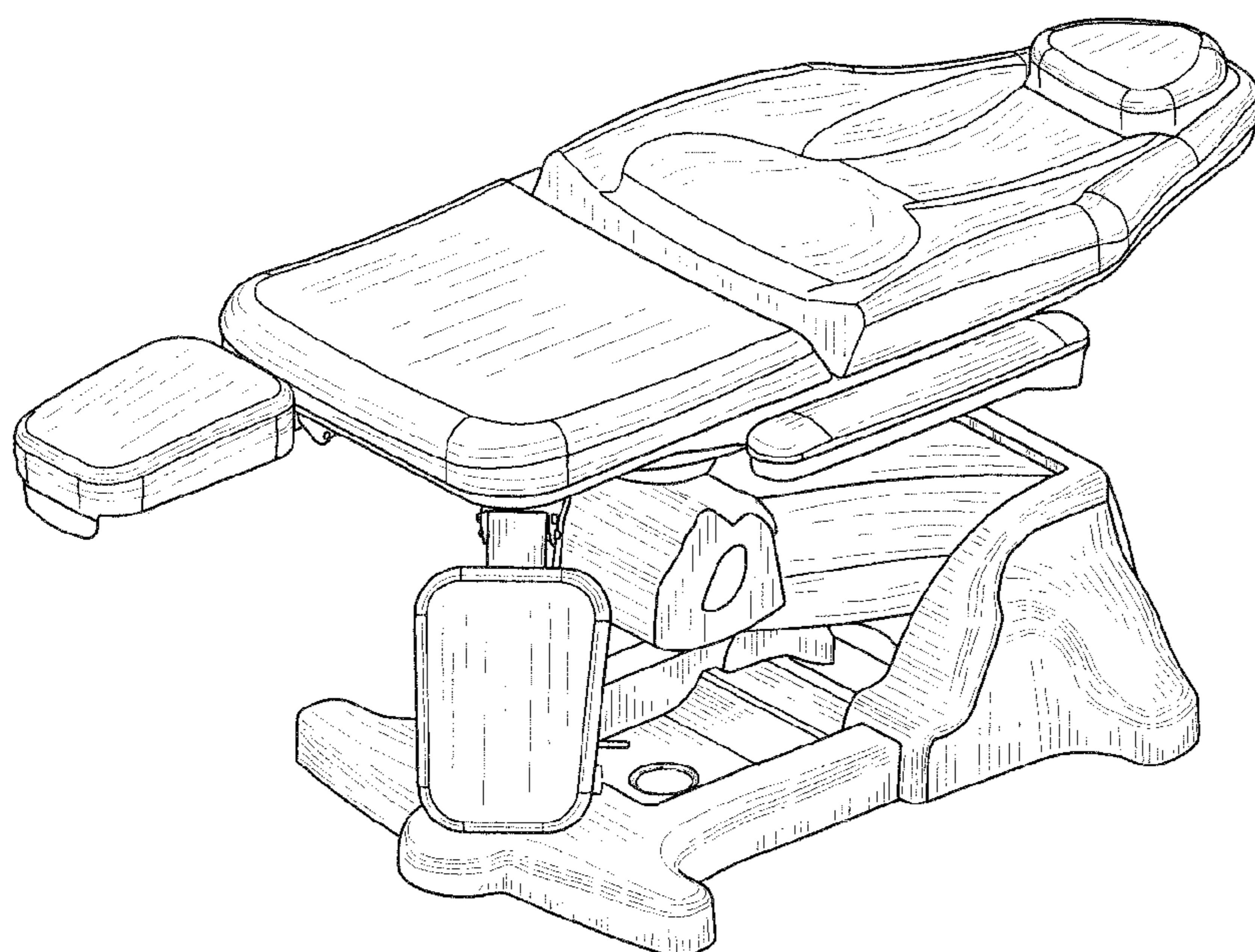


FIG. 2

FIG. 4

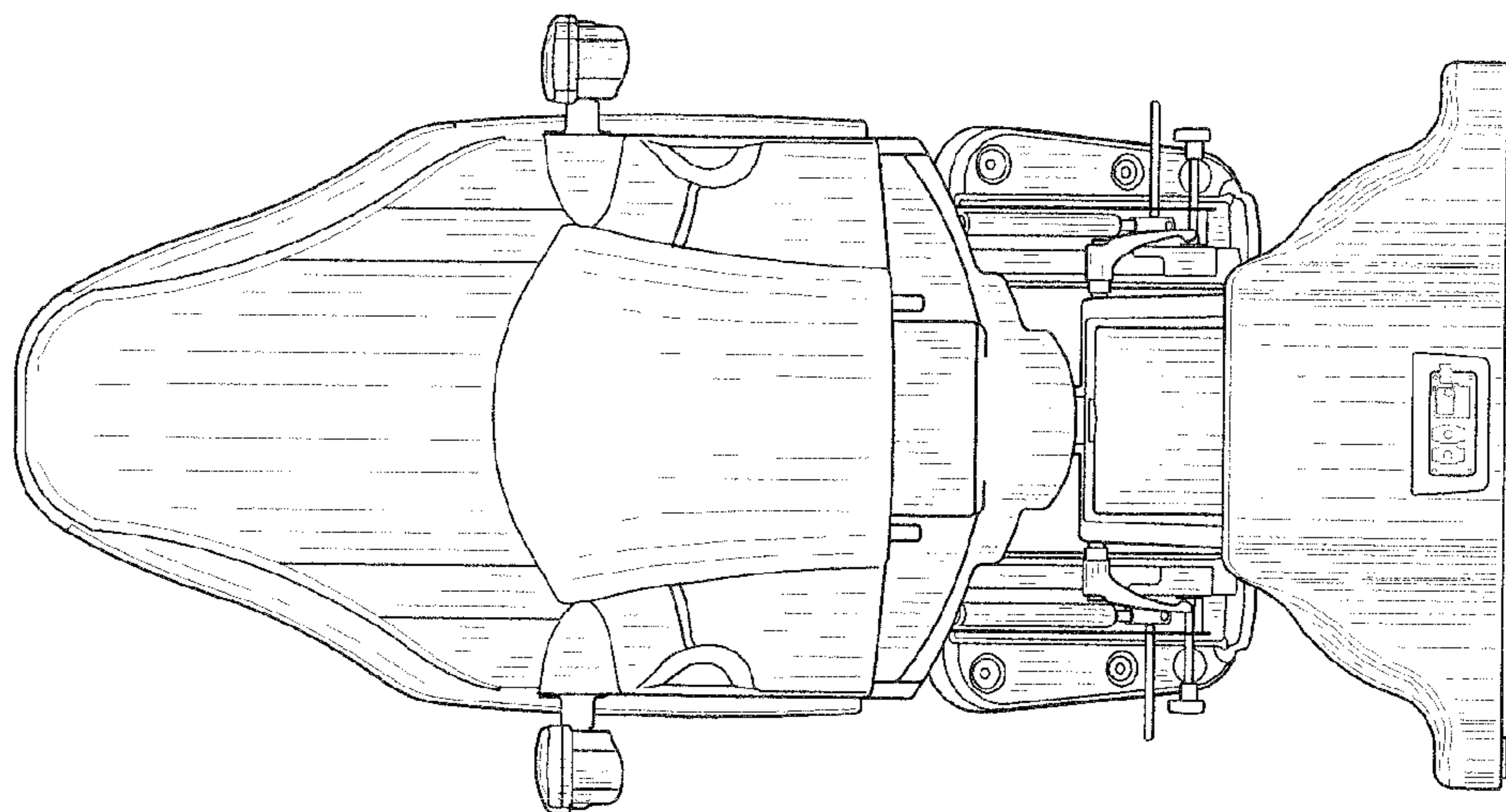


FIG. 3

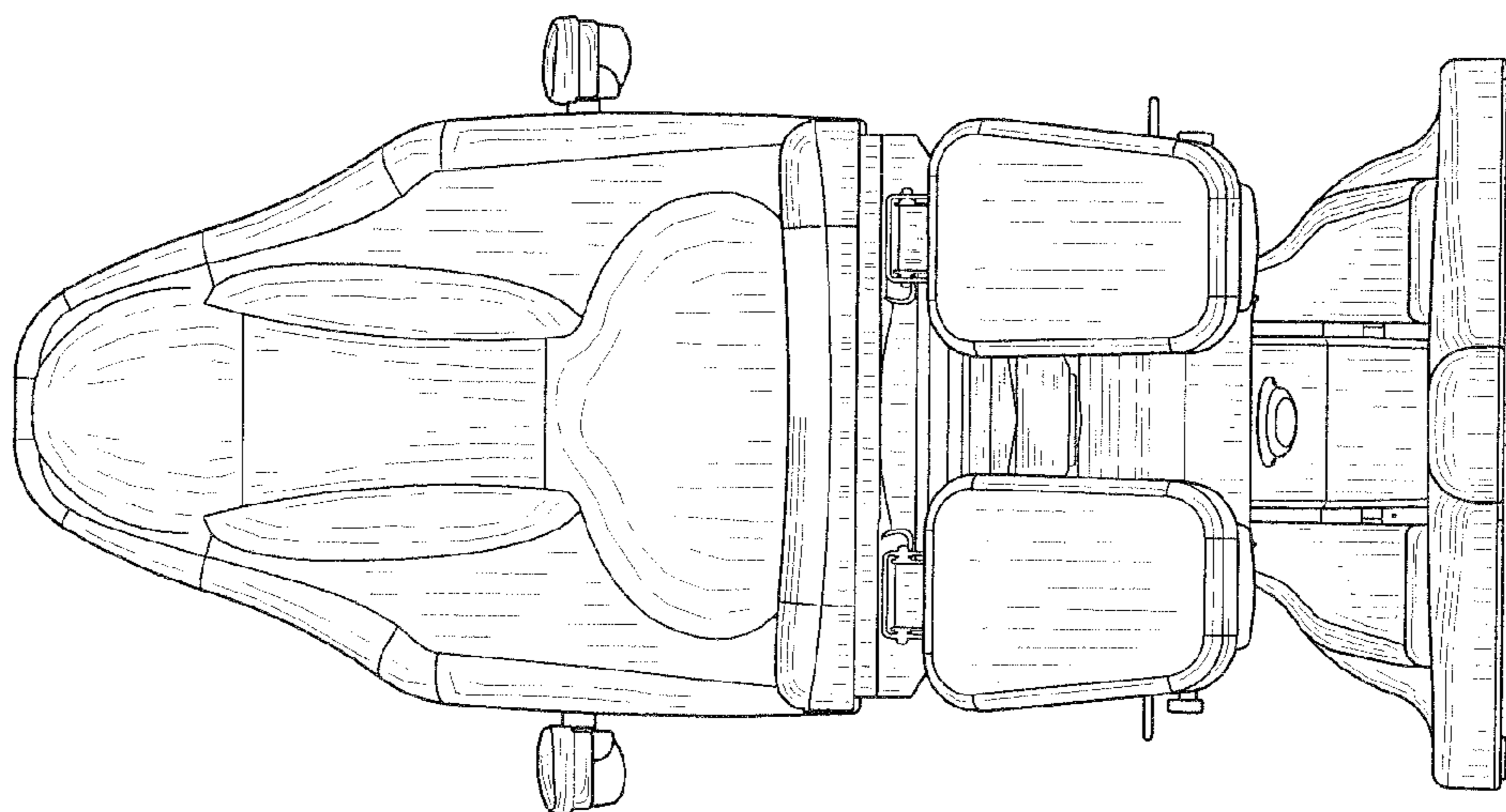


FIG. 6

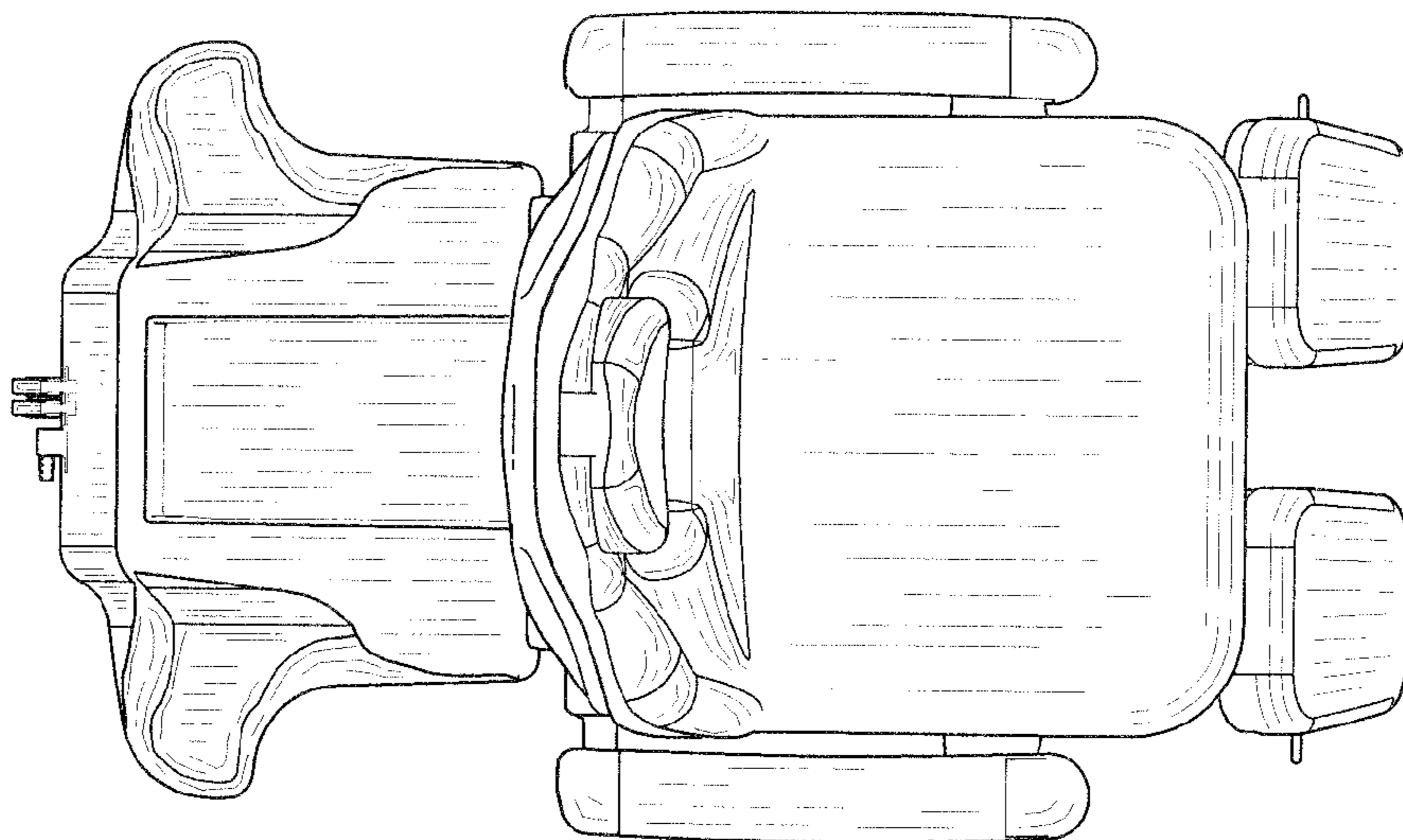


FIG. 5

