



US00D578784S

(12) **United States Design Patent**
Balsley

(10) **Patent No.:** **US D578,784 S**
(45) **Date of Patent:** **** Oct. 21, 2008**

(54) **BENCH**

(75) Inventor: **Thomas Balsley**, New York, NY (US)

(73) Assignee: **Landscape Forms Inc.**, Kalamazoo, MI (US)

(**) Term: **14 Years**

(21) Appl. No.: **29/304,204**

(22) Filed: **Feb. 27, 2008**

(51) **LOC (8) Cl.** **06-01**

(52) **U.S. Cl.** **D6/355**

(58) **Field of Classification Search** D6/334-336,
D6/349, 353, 355, 369, 370, 374, 375, 376,
D6/379, 380, 381, 499, 500-502; 297/232,
297/423.1, 423.39, 440.12, 445.1, 446.1,
297/447.4, 452.46, 461, 462

See application file for complete search history.

(56) **References Cited**

U.S. PATENT DOCUMENTS

- D496,801 S * 10/2004 Vanderminden, Sr. D6/349
- D510,199 S * 10/2005 Messier D6/355
- D532,983 S * 12/2006 McCurry D6/349

OTHER PUBLICATIONS

“Vacante Collection”, Forms + Surfaces 1998, Carpinteria, CA 93013, pp. 1-4.

* cited by examiner

Primary Examiner—Mimosa De

(74) *Attorney, Agent, or Firm*—Heslin Rothenberg Farley & Mesiti P.C.

(57) **CLAIM**

The ornamental design for the bench, as shown and described.

DESCRIPTION

This application is related to commonly assigned, concurrently filed application Ser. No. 29/304,205.

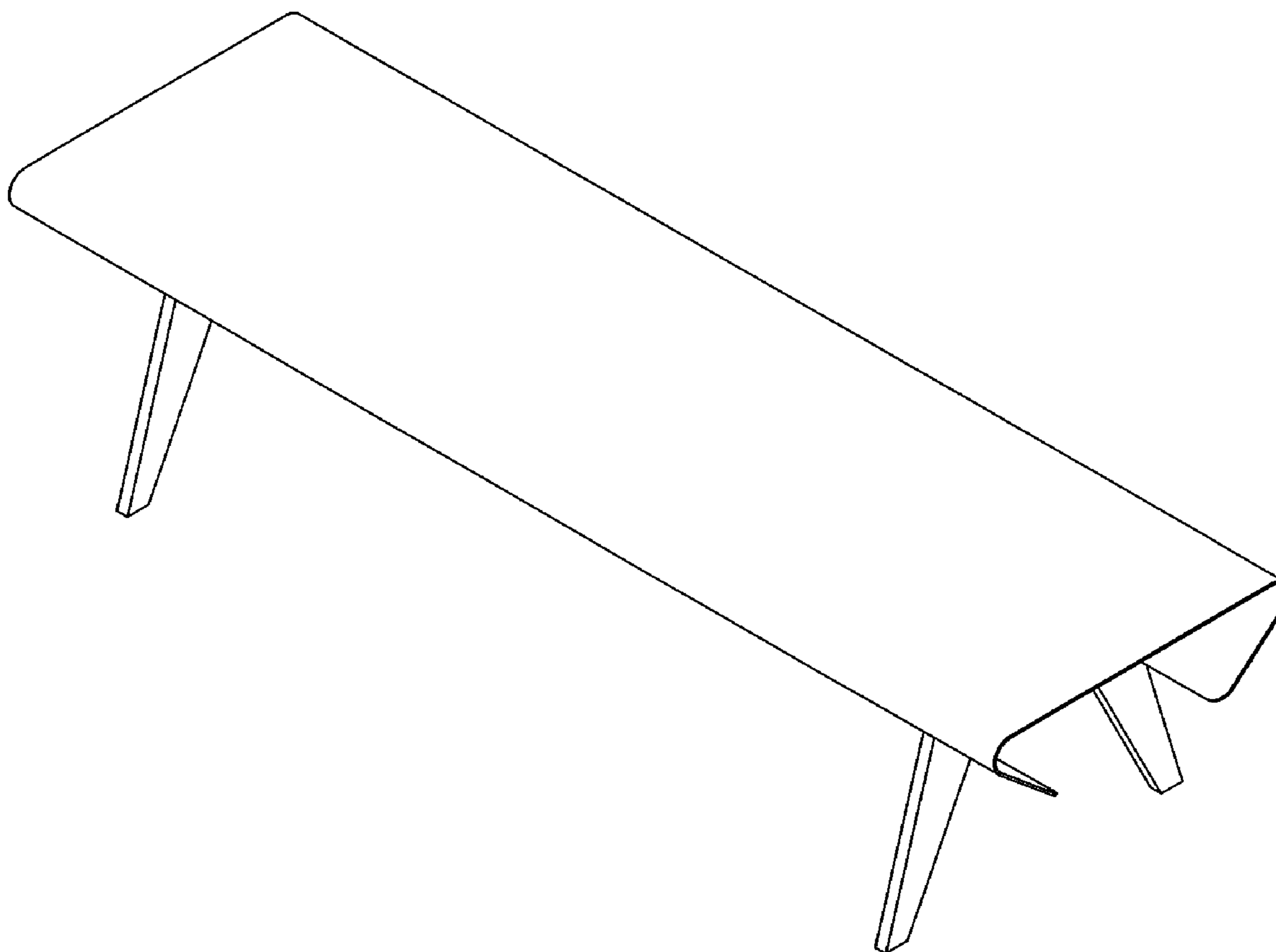
FIG. 1 is a perspective view of the bench of the present invention;

FIG. 2 is a front elevation view thereof, the rear elevation being identical thereto;

FIG. 3 is a left side elevation view thereof, the right side elevation view being a mirror image thereof; and,

FIG. 4 is a top plan view thereof.

1 Claim, 4 Drawing Sheets



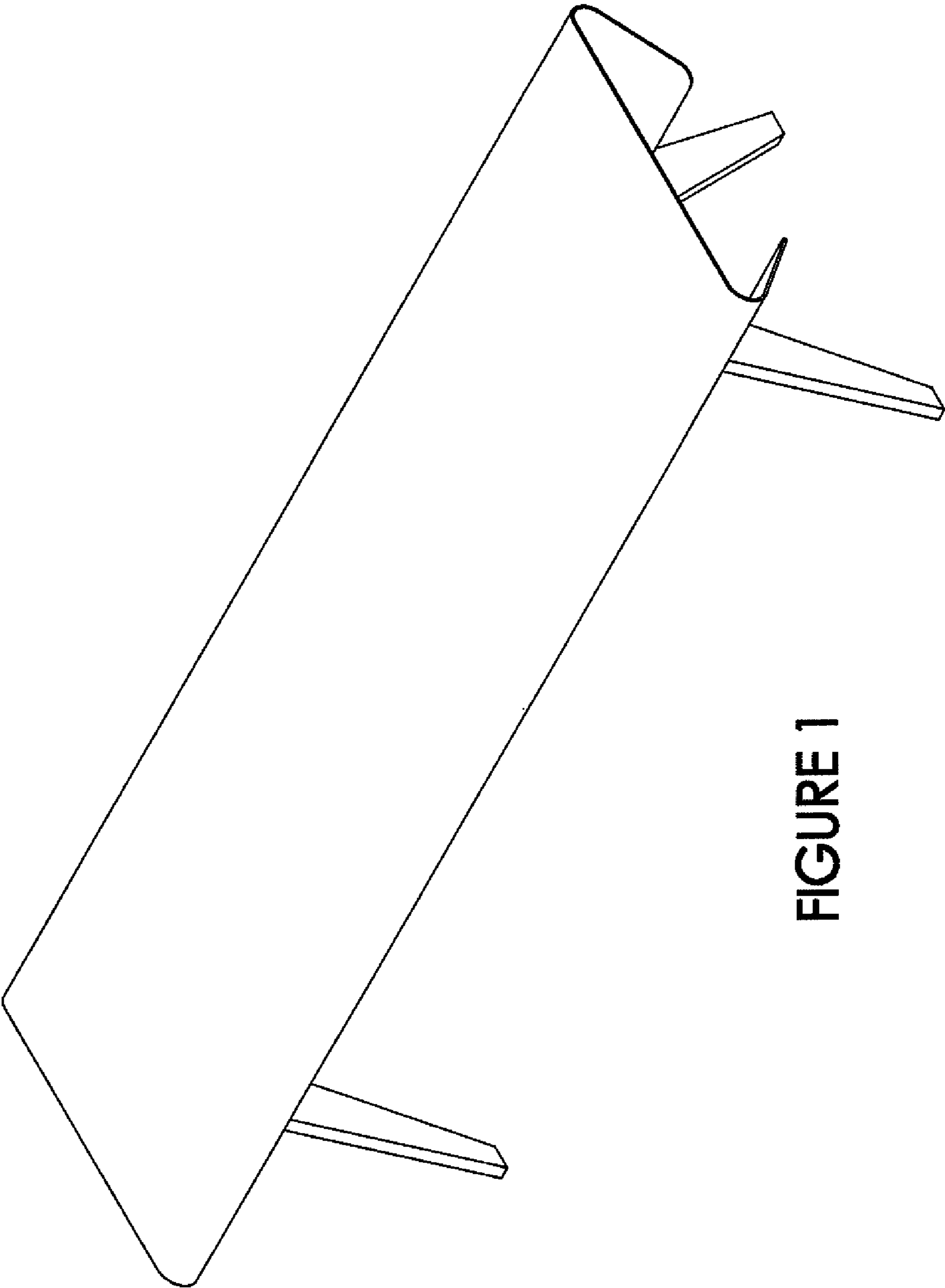


FIGURE 1

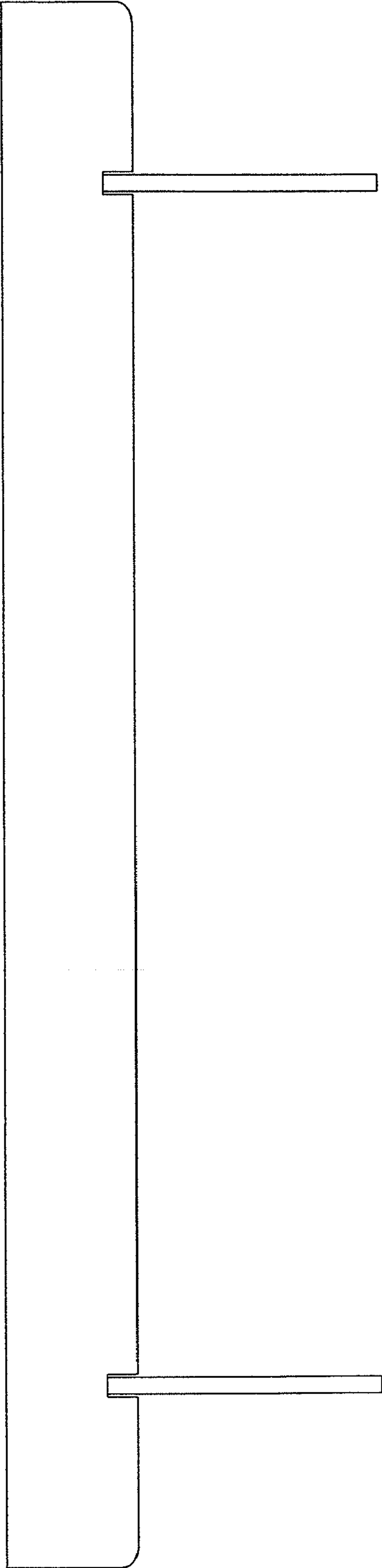


FIGURE 2

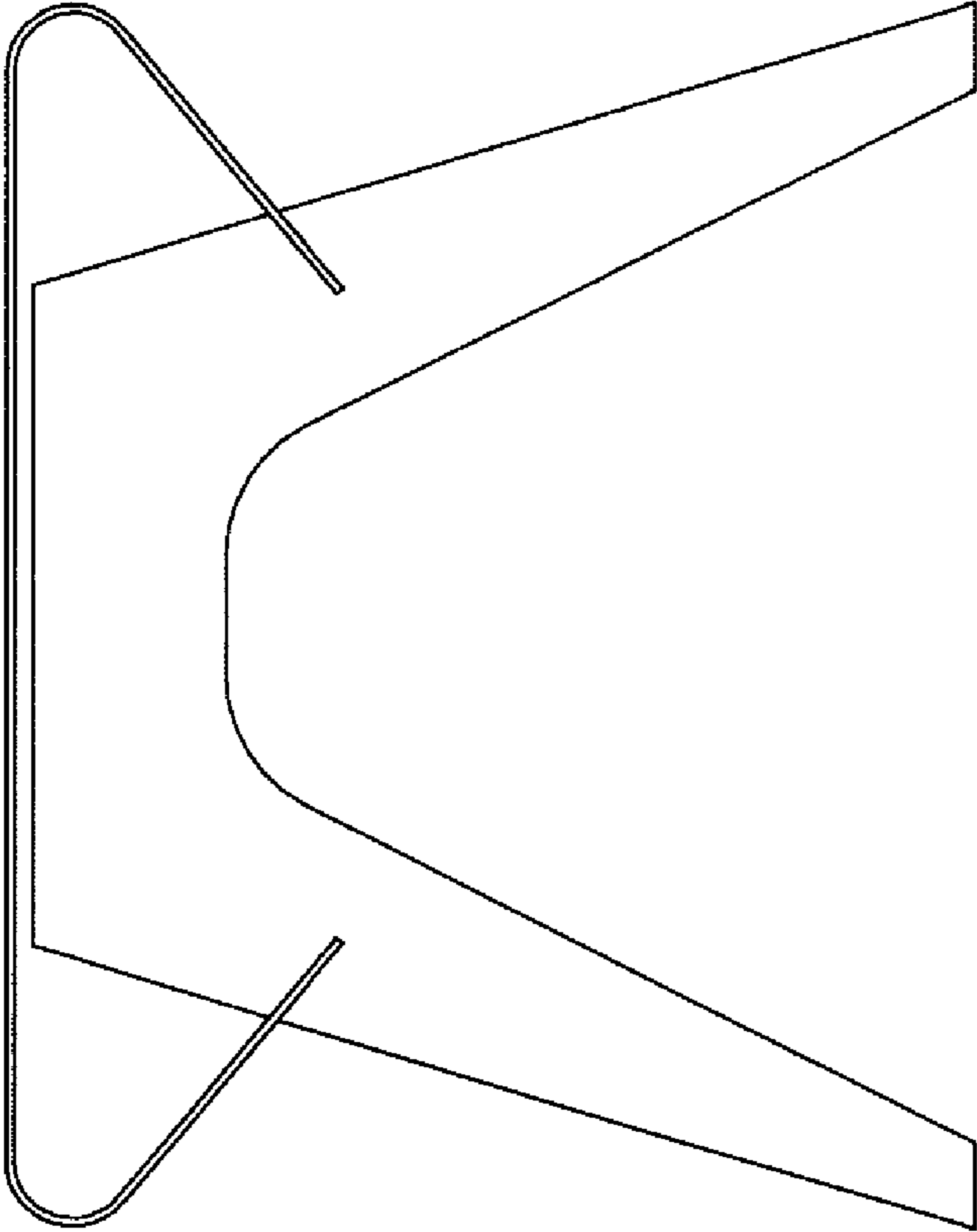


FIGURE 3

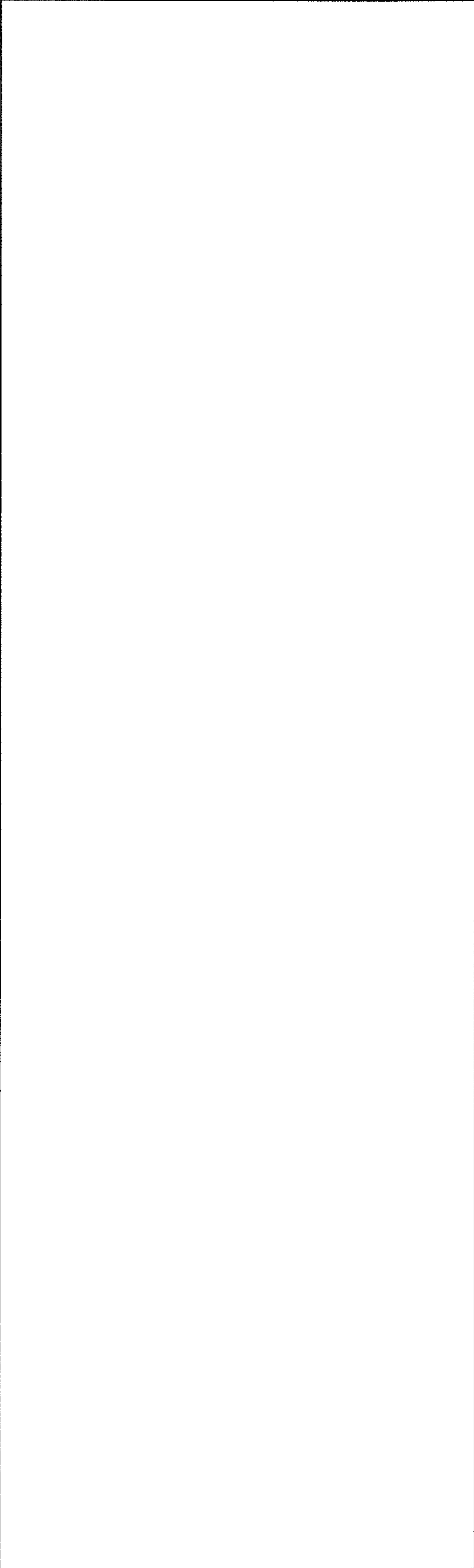


FIGURE 4