



US00D578783S

(12) **United States Design Patent**
Skalka

(10) **Patent No.:** **US D578,783 S**
(45) **Date of Patent:** **** Oct. 21, 2008**

- (54) **BENCH**
 - (75) Inventor: **Gerald Skalka**, Potomac, MD (US)
 - (73) Assignee: **Victor Stanley, Inc.**, Dunkirk, MD (US)
 - (**) Term: **14 Years**
 - (21) Appl. No.: **29/294,029**
 - (22) Filed: **Dec. 21, 2007**
 - (51) **LOC (8) Cl.** **06-01**
 - (52) **U.S. Cl.** **D6/355**
 - (58) **Field of Classification Search** D6/349,
D6/355, 334–336, 356, 364, 370–371, 373,
D6/379–381, 500–502; 5/12.1, 655.3; 297/232,
297/16.1–16.2, 116, 135, 154, 187, 158.3,
297/158.4, 158.5
- See application file for complete search history.

(56) **References Cited**

U.S. PATENT DOCUMENTS

D67,030 S *	4/1925	Haase	D6/370
D214,042 S *	5/1969	Henebry	D6/381
D225,194 S *	11/1972	Ruth	D6/370
D299,595 S *	1/1989	Shields	D6/335
D336,796 S *	6/1993	Chang	D6/370
D365,937 S	1/1996	Skalka		
D386,012 S	11/1997	Skalka		
D396,358 S *	7/1998	Geier	D6/349
D453,424 S *	2/2002	Stewart	D6/349
D457,738 S *	5/2002	Slear et al.	D6/355
D481,211 S *	10/2003	Chipman	D6/349
D503,552 S *	4/2005	Messier	D6/349
D510,199 S *	10/2005	Messier	D6/349
D521,763 S *	5/2006	Wilmotte	D6/381
D522,775 S	6/2006	Skalka		
D523,650 S	6/2006	Skalka		
D526,805 S *	8/2006	Skalka	D6/381
D532,620 S	11/2006	Skalka		
D536,184 S	2/2007	Skalka		
7,252,331 B1 *	8/2007	Walton	297/232

D556,362 S *	11/2007	Pfund et al.	D26/94
D559,569 S *	1/2008	Pappas	D6/355
2003/0230912 A1 *	12/2003	Arnold et al.	297/158.3

* cited by examiner

Primary Examiner—Elizabeth A. Albert
Assistant Examiner—Kelley A Donnelly
(74) *Attorney, Agent, or Firm*—Jacobson Holman PLLC

(57) **CLAIM**

The ornamental design for a bench, as shown and described.

DESCRIPTION

FIG. 1 is an isometric view of a first embodiment of a bench showing my new design.

FIG. 2 is a right side elevational view of the bench of FIG. 1, the left side elevational view being a mirror image thereof.

FIG. 3 is a top plan view of the bench of FIG. 1.

FIG. 4 is a front elevational view of the bench of FIG. 1, the back elevational view being a mirror image thereof.

FIG. 5 is a bottom plan view of the bench of FIG. 1.

FIG. 6 is an isometric view of a second embodiment of a bench showing my new design.

FIG. 7 is a right side elevational view of the bench of FIG. 6, the left side elevational view being a mirror image thereof.

FIG. 8 is a top plan view of the bench of FIG. 6.

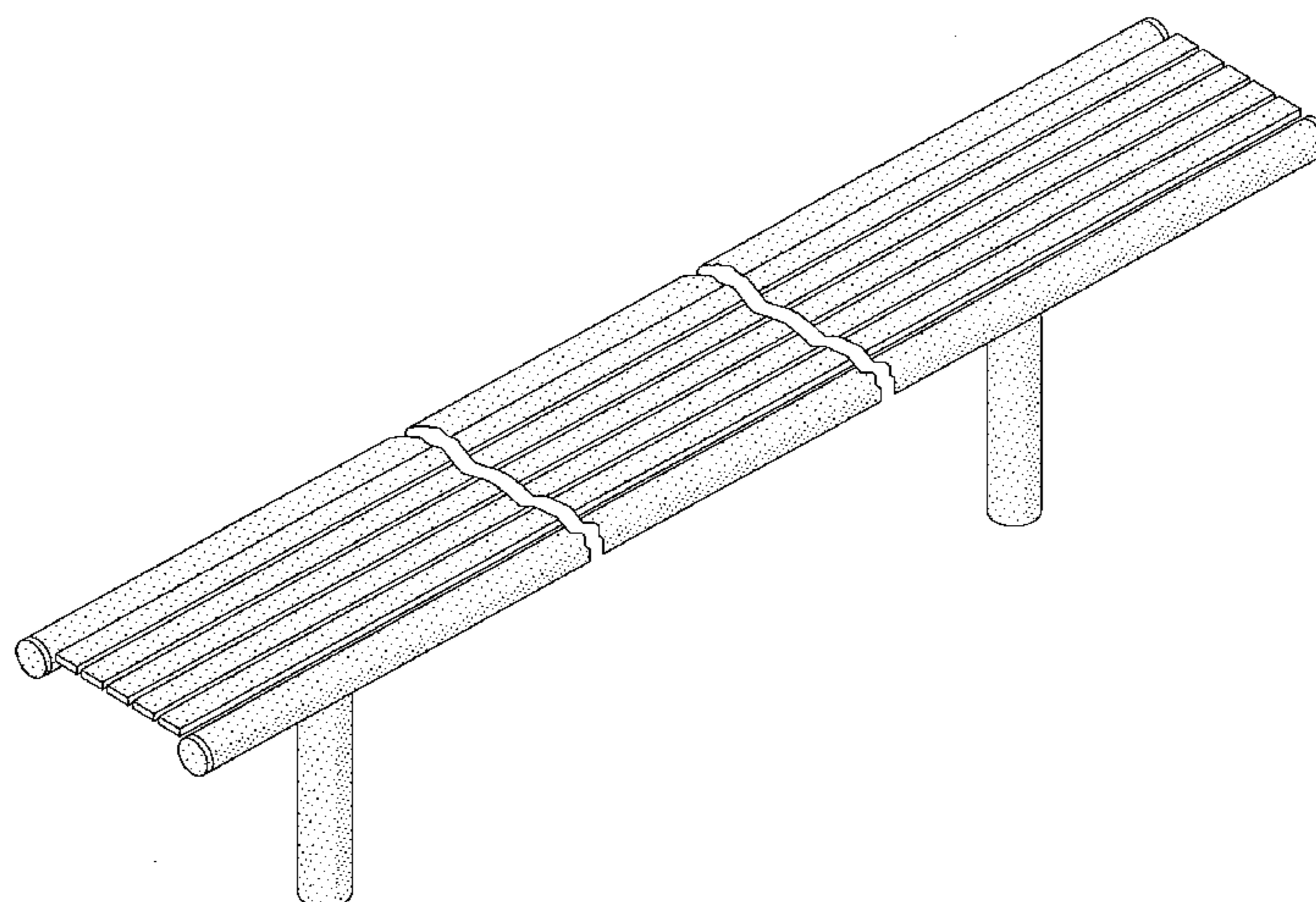
FIG. 9 is a front elevational view of the bench of FIG. 6, the back elevational view being a mirror image thereof; and,

FIG. 10 is a bottom plan view of the bench of FIG. 6.

The bench is shown broken-away transversely in the various views to indicate that a specific length forms no part of the claimed design.

The stippling in the drawings is merely a version of surface shading and forms no part of the claimed design.

1 Claim, 4 Drawing Sheets



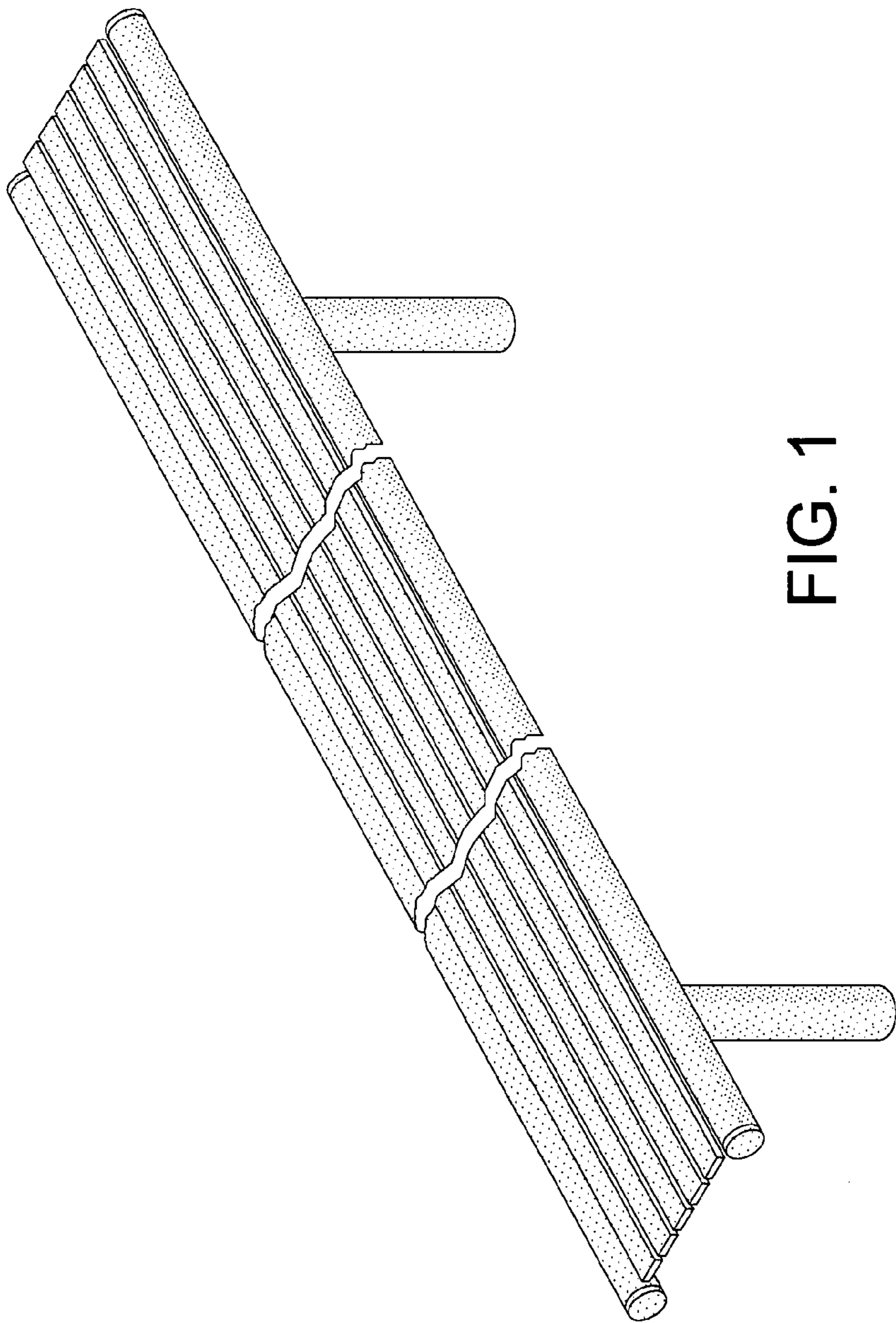


FIG. 1

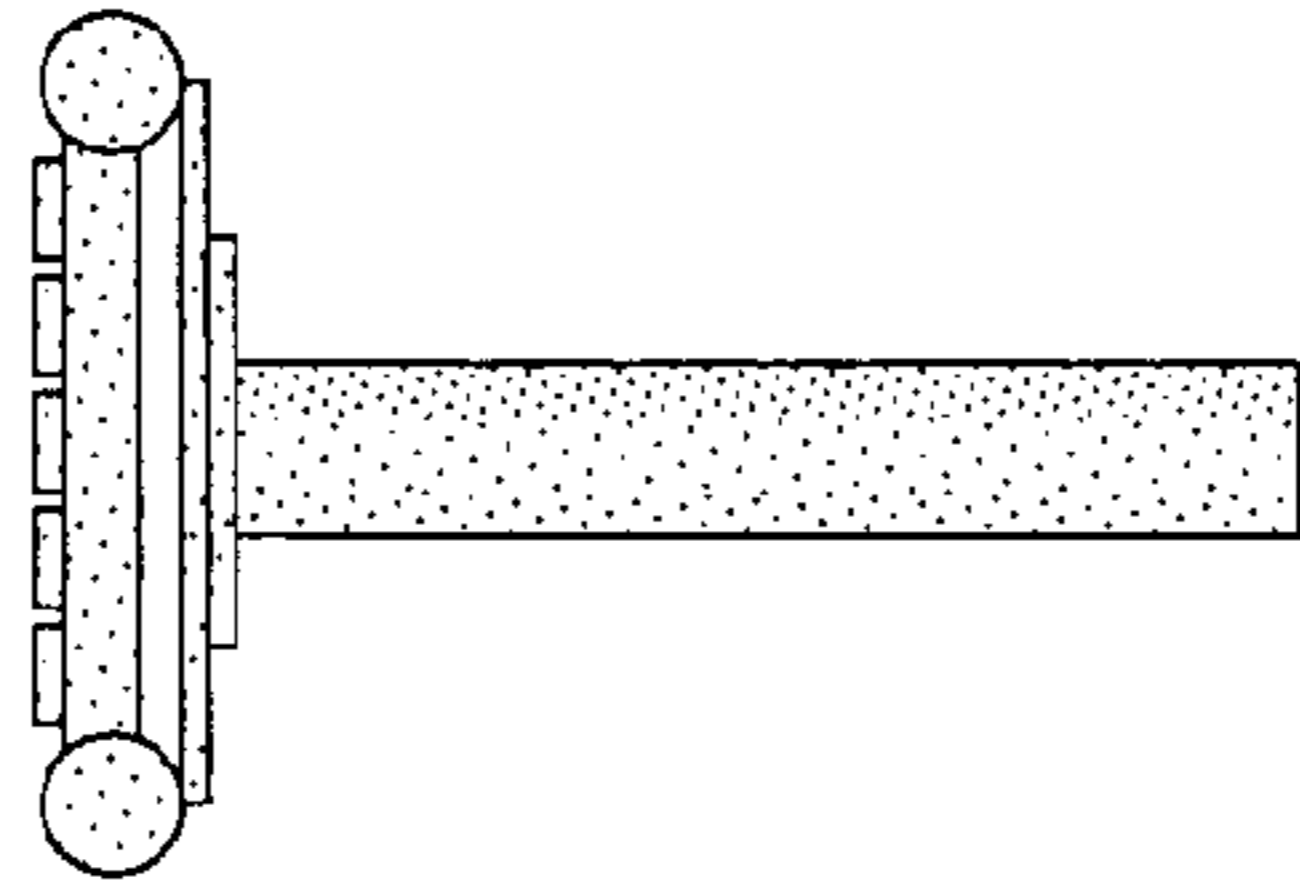


FIG. 2

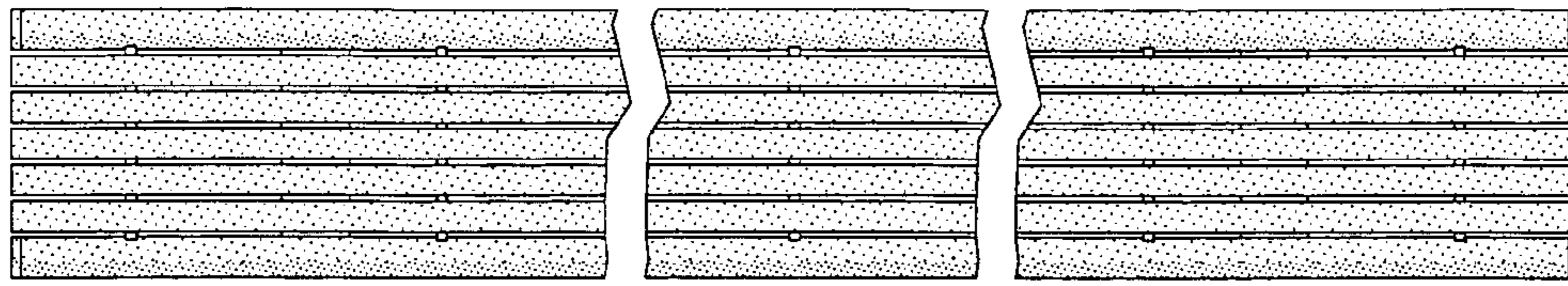


FIG. 3

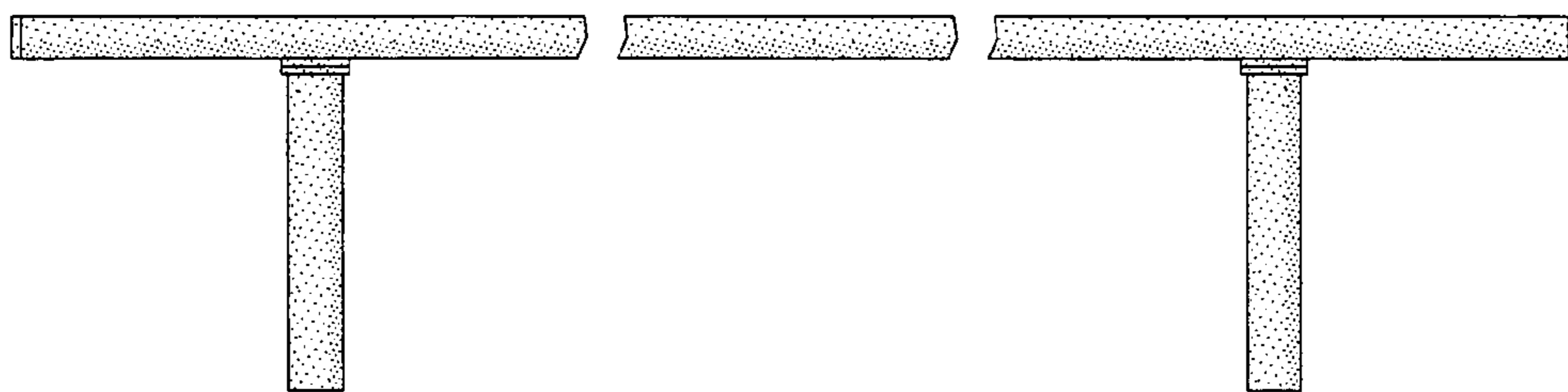


FIG. 4

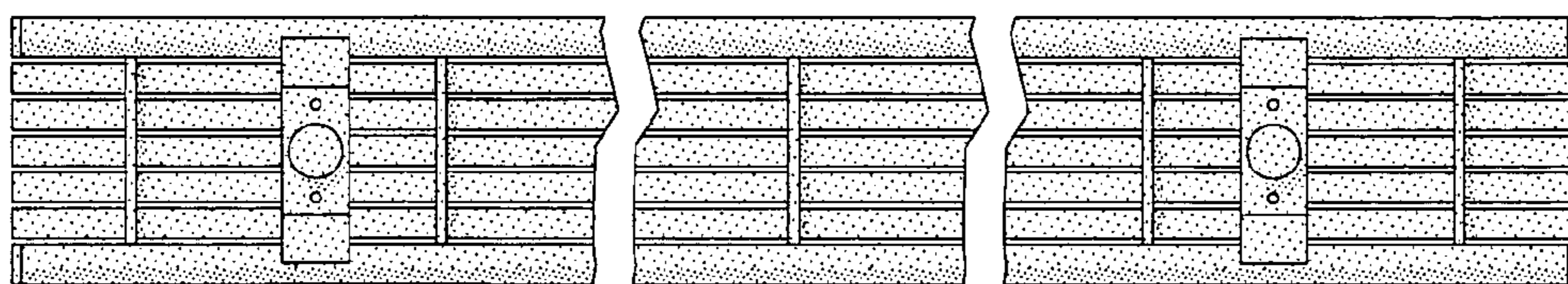


FIG. 5

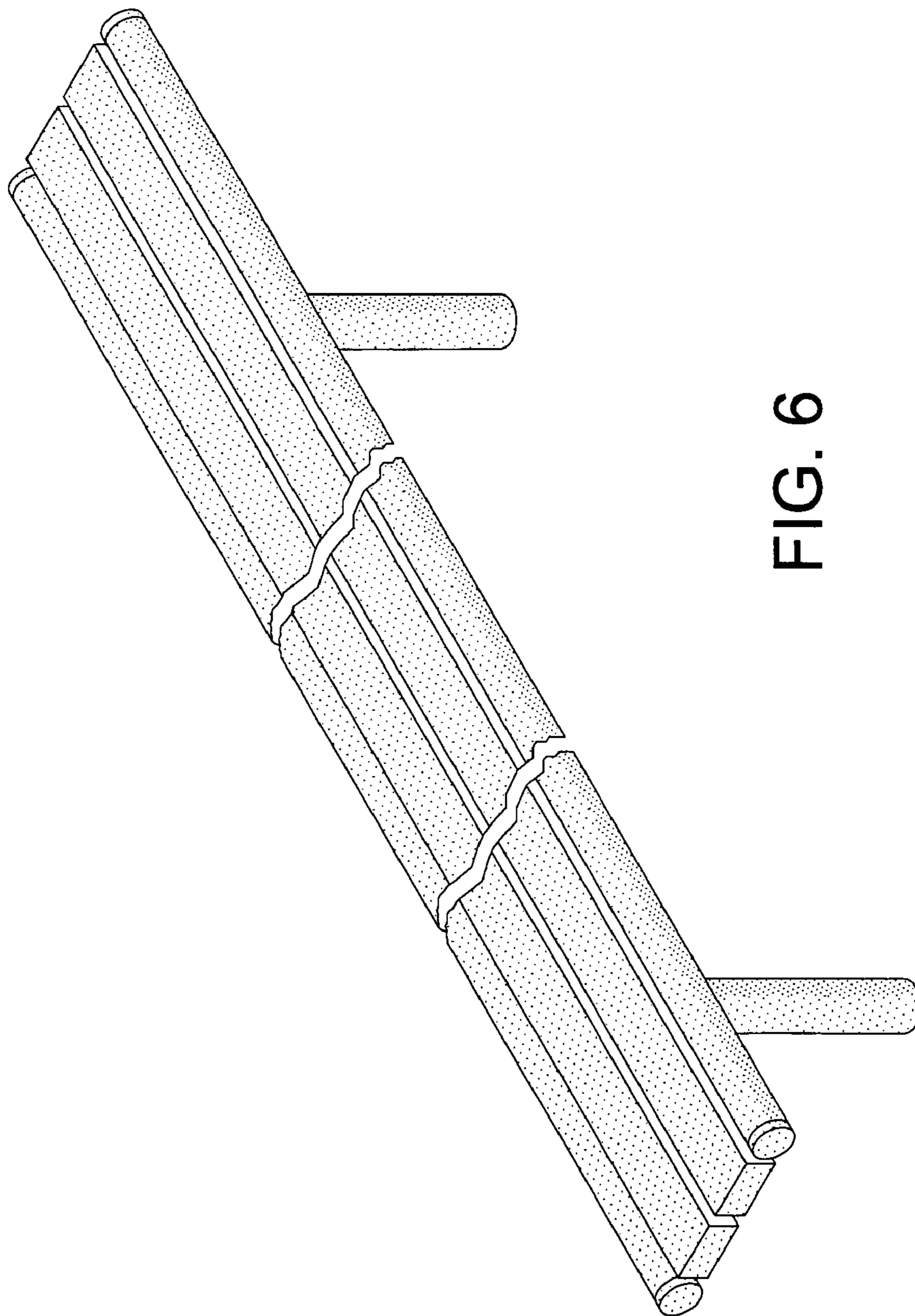


FIG. 6

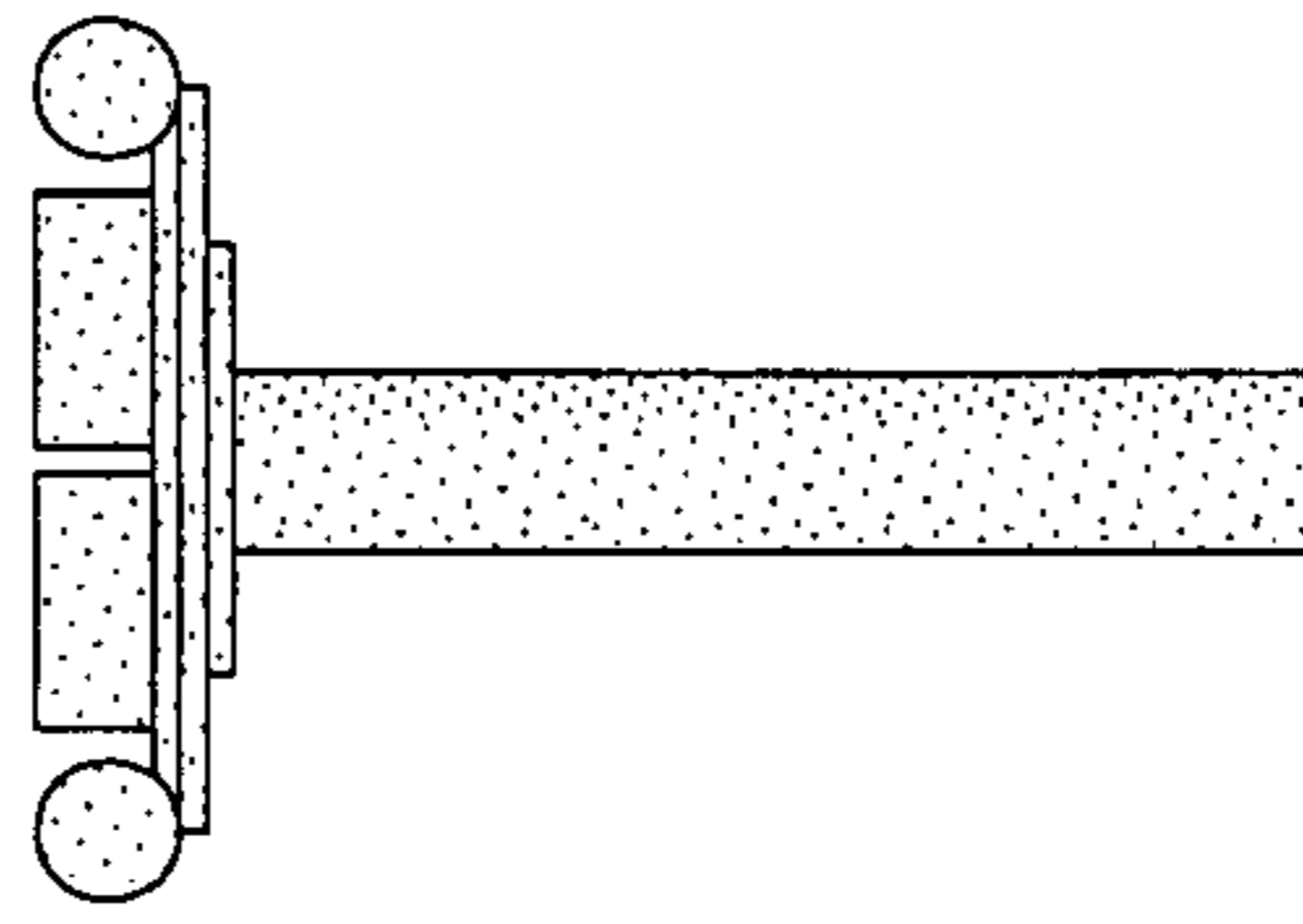


FIG. 7

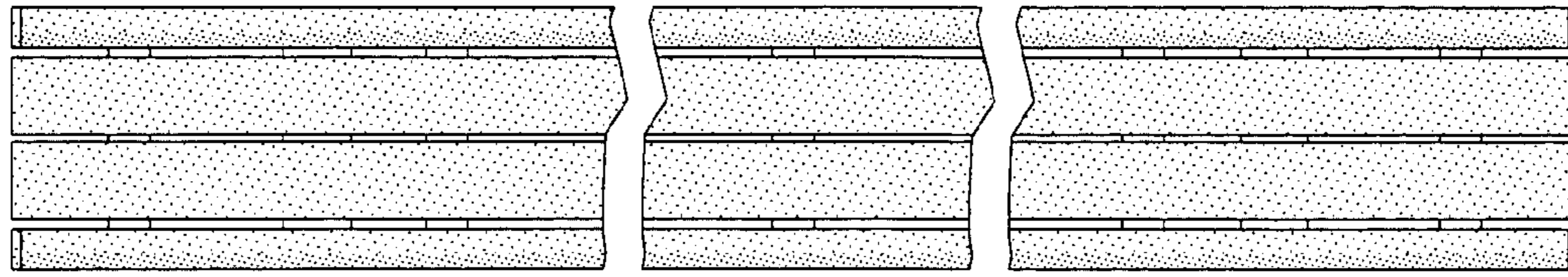


FIG. 8

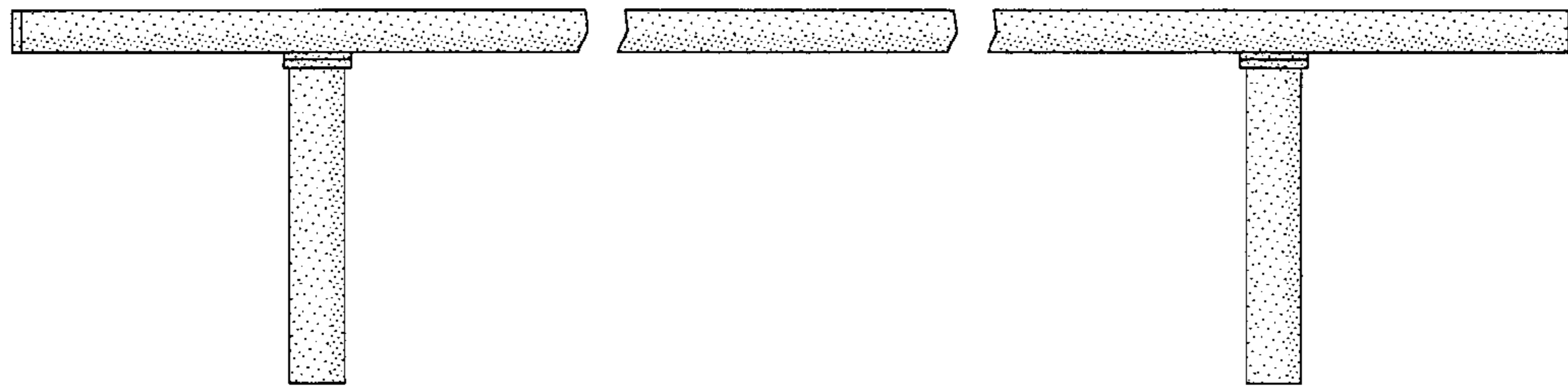


FIG. 9

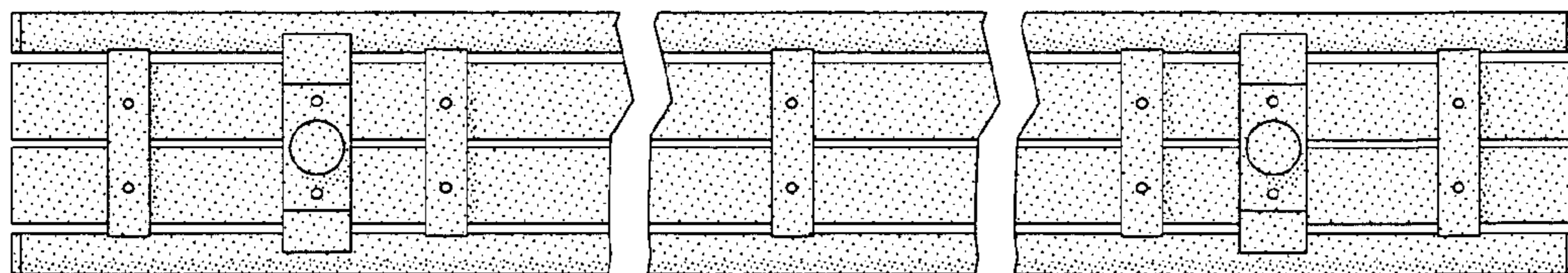


FIG. 10