



US00D578779S

(12) **United States Design Patent**  
**Lee et al.**

(10) **Patent No.:** **US D578,779 S**  
(45) **Date of Patent:** **\*\* Oct. 21, 2008**

(54) **ROBE HOOK**

(75) Inventors: **Chia Ying Lee**, Chicago, IL (US);  
**James Leroy Daniels**, Stokesdale, NC  
(US)

(73) Assignee: **Liberty Hardware Mfg. Corp.**,  
Winston-Salem, NC (US)

(\*\*) Term: **14 Years**

(21) Appl. No.: **29/303,782**

(22) Filed: **Feb. 18, 2008**

(51) **LOC (8) Cl.** ..... **06-08**

(52) **U.S. Cl.** ..... **D6/323**

(58) **Field of Classification Search** ..... D6/315,  
D6/317, 320, 323, 325, 328; D8/300, 307,  
D8/310, 321, 349, 354, 367, 372, 373; 211/13.1,  
211/85.3, 86.01, 183; 223/85-98; 248/200,  
248/317, 560

See application file for complete search history.

(56) **References Cited**

**U.S. PATENT DOCUMENTS**

|              |        |                |       |        |
|--------------|--------|----------------|-------|--------|
| D343,066 S * | 1/1994 | Hsu            | ..... | D6/323 |
| D472,059 S * | 3/2003 | Hoernig        | ..... | D6/323 |
| D472,061 S * | 3/2003 | Hoernig        | ..... | D6/323 |
| D473,453 S * | 4/2003 | Goodman et al. | ..... | D8/367 |

|              |        |                |       |        |
|--------------|--------|----------------|-------|--------|
| D493,093 S * | 7/2004 | Goodman et al. | ..... | D8/367 |
| D496,258 S * | 9/2004 | Fields         | ..... | D8/367 |
| D526,132 S * | 8/2006 | Solowiej       | ..... | D6/323 |
| D526,494 S * | 8/2006 | Fields         | ..... | D6/323 |
| D535,110 S * | 1/2007 | Hoernig        | ..... | D6/323 |
| D543,708 S * | 6/2007 | McConnell      | ..... | D6/323 |
| D544,220 S * | 6/2007 | McConnell      | ..... | D6/323 |
| D563,109 S * | 3/2008 | Krumpe et al.  | ..... | D6/323 |
| D568,621 S * | 5/2008 | Krumpe et al.  | ..... | D6/323 |

\* cited by examiner

*Primary Examiner*—Stella M. Reid

(74) *Attorney, Agent, or Firm*—Edgar A. Zarins; Lloyd D. Doigan

(57) **CLAIM**

The ornamental design for a robe hook, as shown and described.

**DESCRIPTION**

FIG. 1 is a perspective view of a robe hook showing our new design;

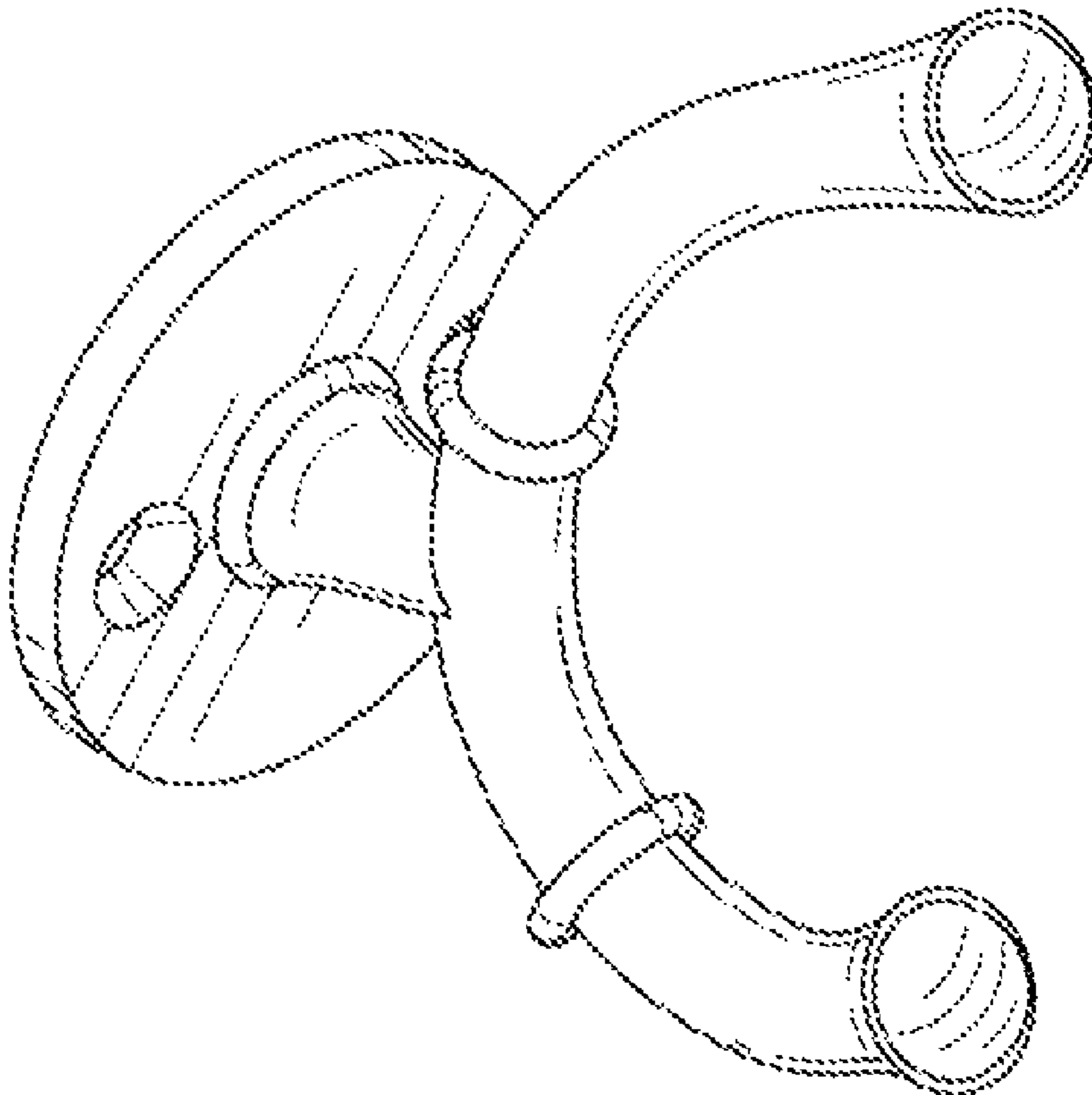
FIG. 2 is a front elevational view thereof;

FIG. 3 is a top plan view thereof;

FIG. 4 is a right side view thereof, the opposite side being a mirror image of the side shown; and,

FIG. 5 is a bottom plan view thereof.

**1 Claim, 1 Drawing Sheet**



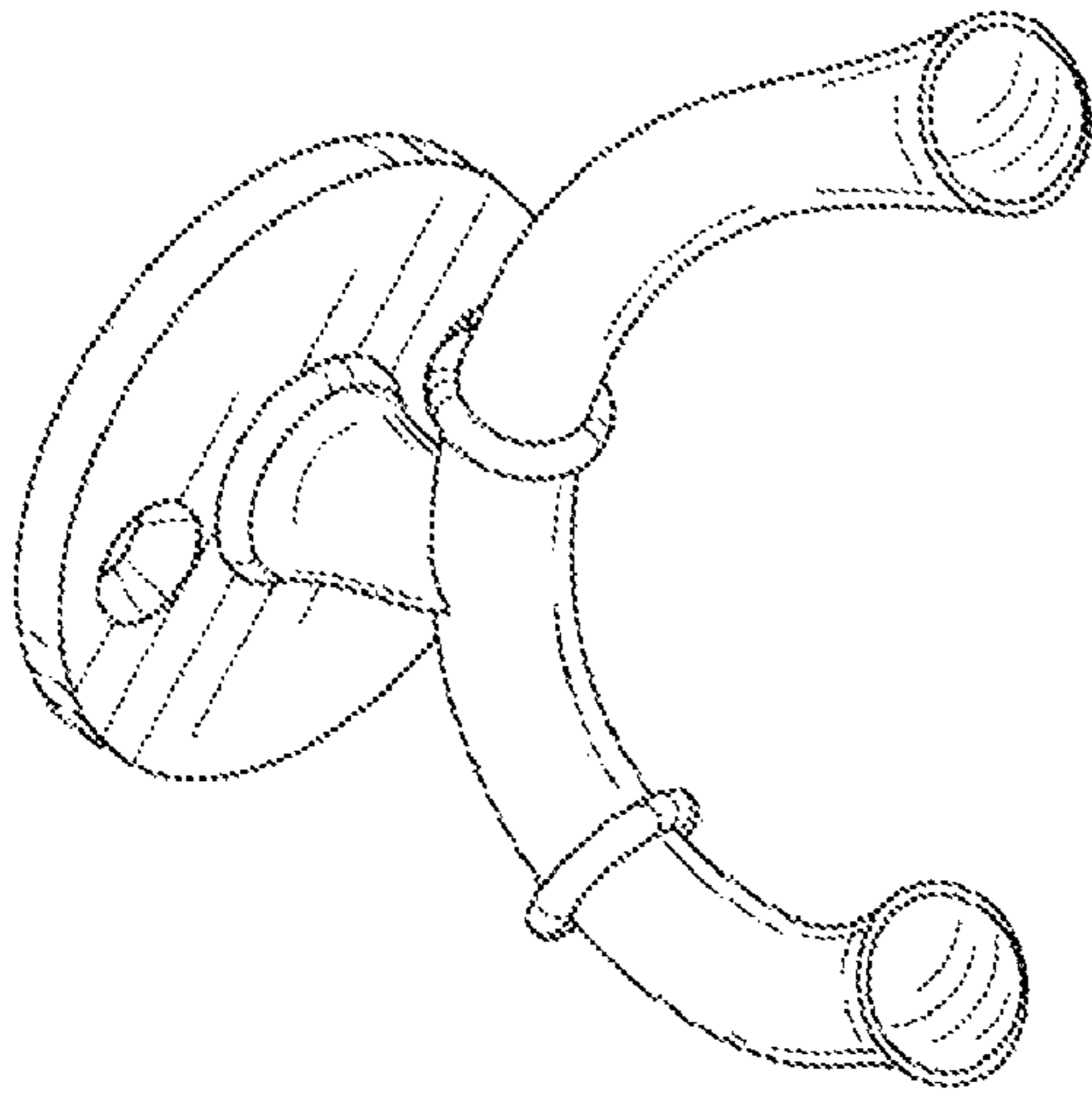


Fig-1

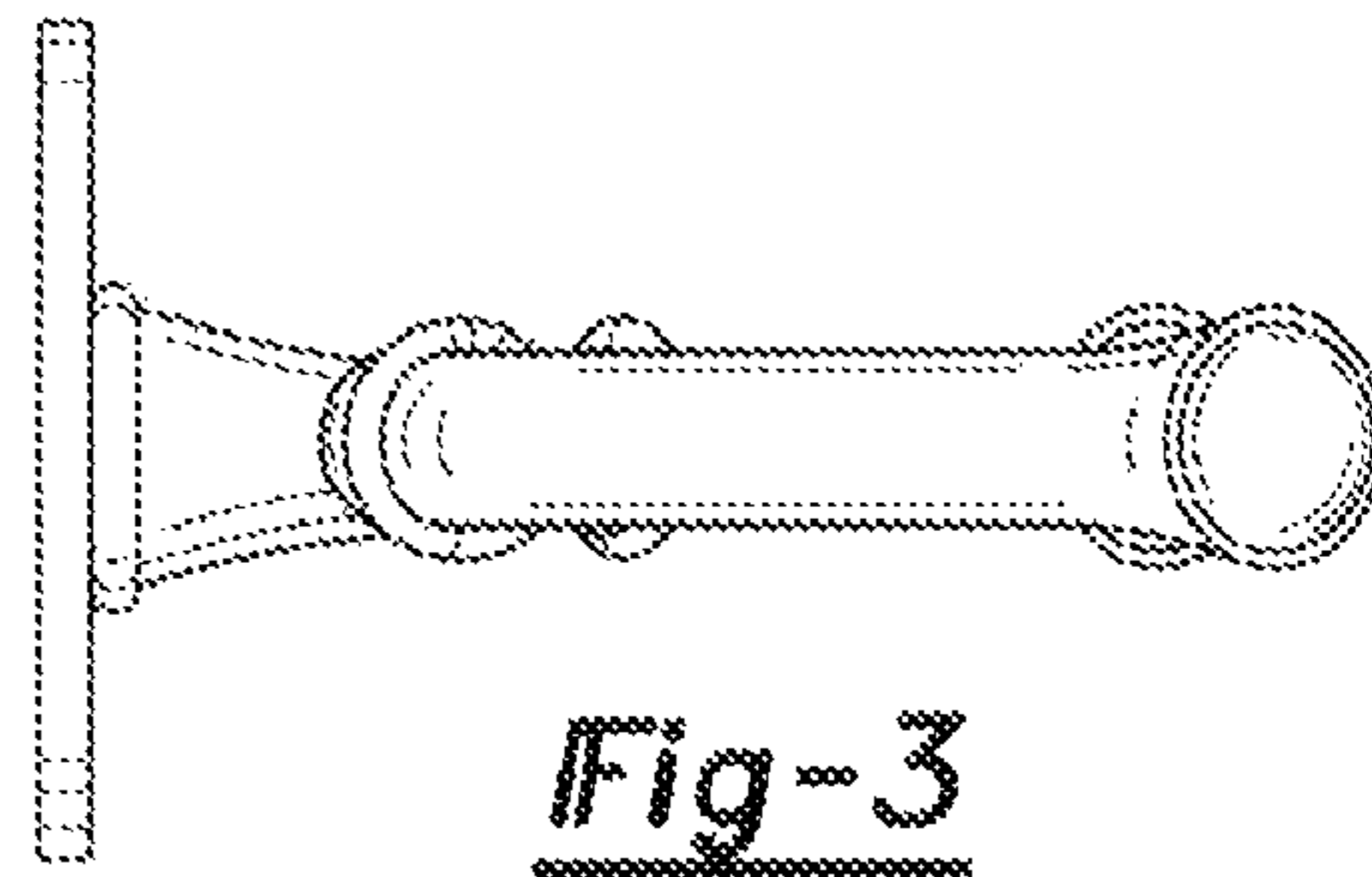


Fig-3

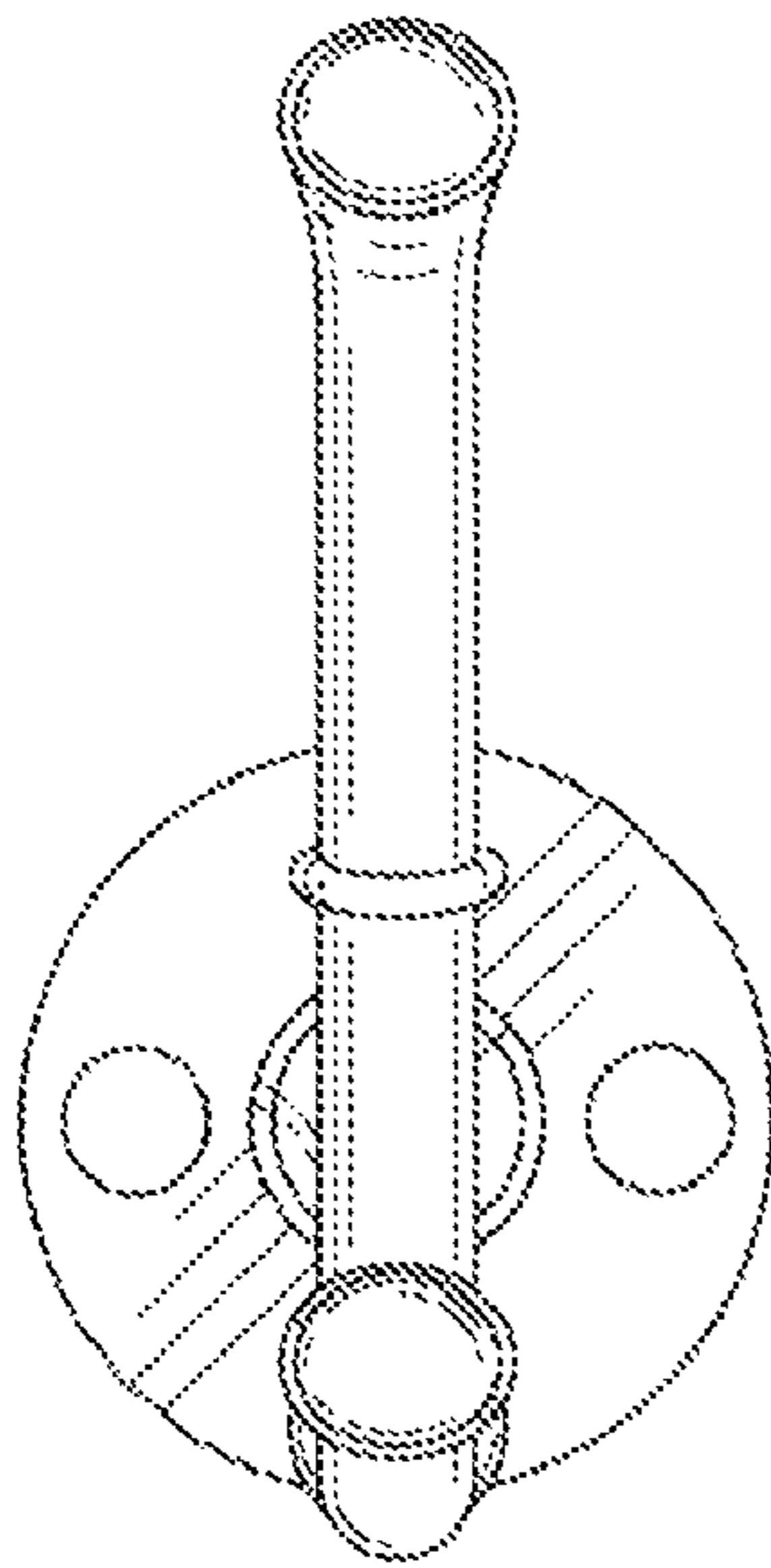


Fig-2

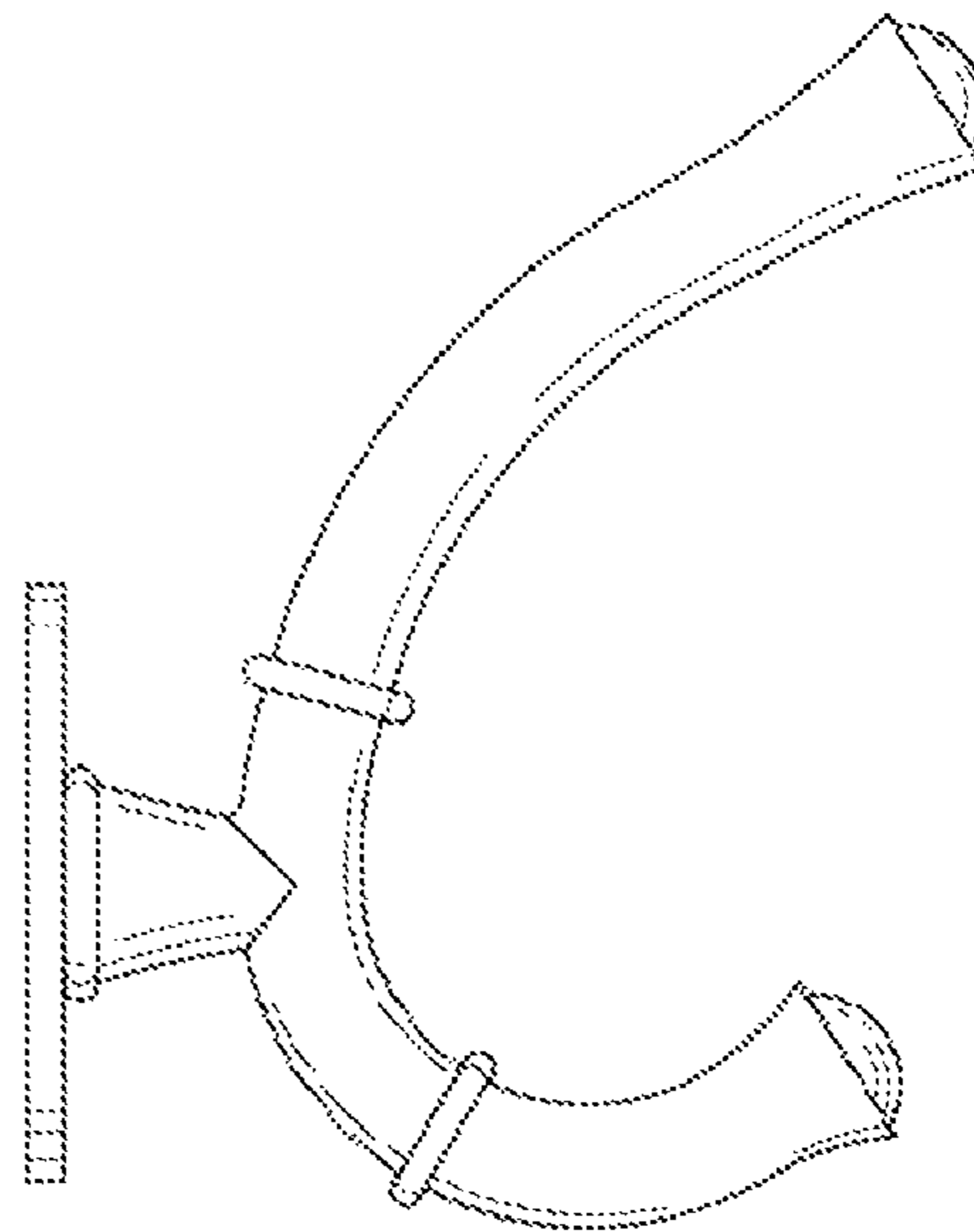


Fig-4

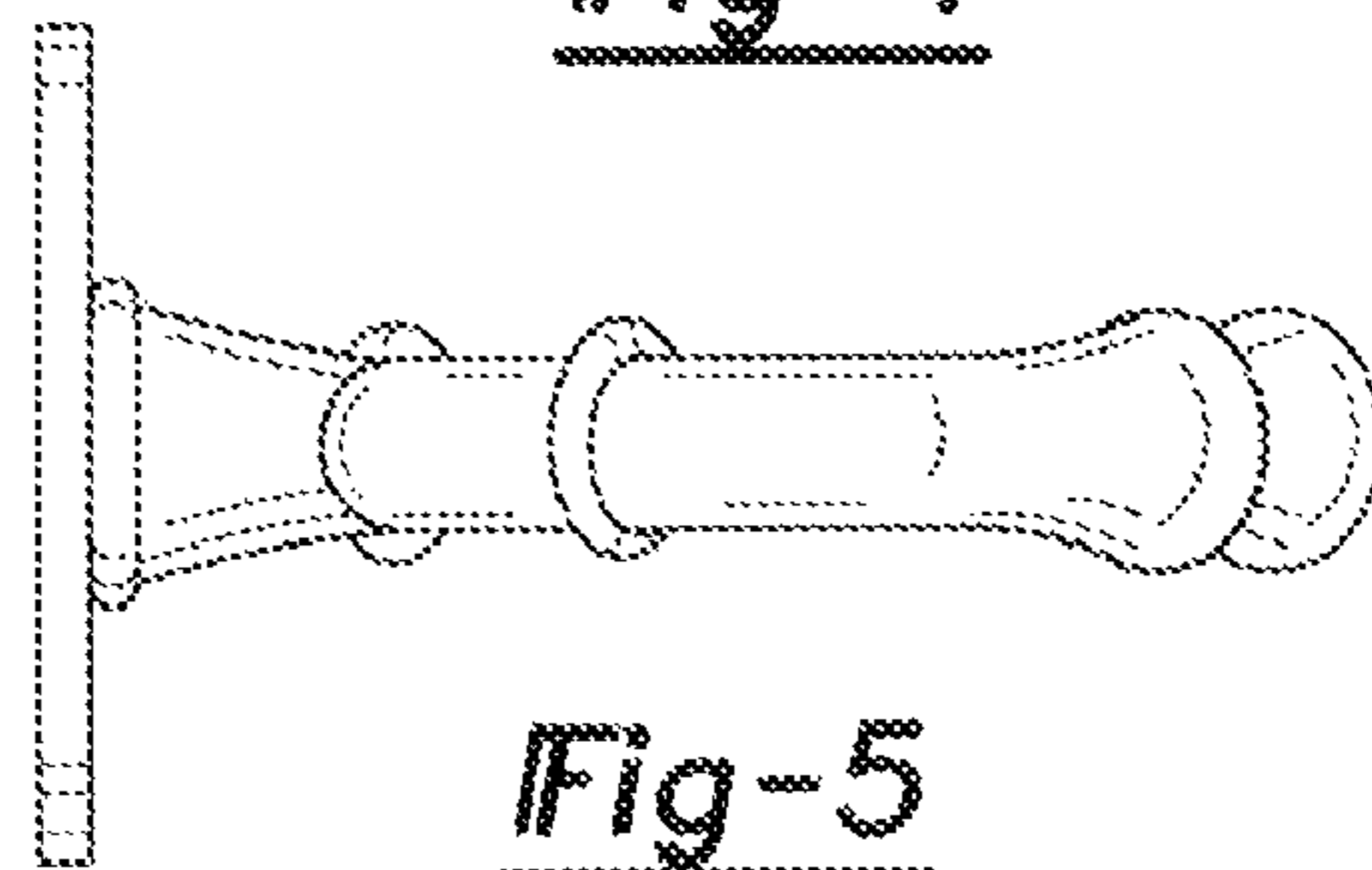


Fig-5