



US00D578769S

(12) **United States Design Patent**
Patterson

(10) **Patent No.:** **US D578,769 S**

(45) **Date of Patent:** **** Oct. 21, 2008**

(54) **ADJUSTABLE PAINT ROLLER**

(76) Inventor: **Kester Patterson**, 3641 NW. 33 Ter.,
Fort Lauderdale, FL (US) 33309

(**) Term: **14 Years**

(21) Appl. No.: **29/263,107**

(22) Filed: **Jul. 17, 2006**

(51) **LOC (8) Cl.** **08-05**

(52) **U.S. Cl.** **D4/122**

(58) **Field of Classification Search** D4/122,
D4/123, 138; 15/230.11, 27, 143.1; 492/29,
492/13, 17-19; D8/107

See application file for complete search history.

(56) **References Cited**

U.S. PATENT DOCUMENTS

3,130,435	A *	4/1964	Smith	15/230.11
3,273,192	A	9/1966	Mazella		
3,408,676	A	11/1968	Cayo		
3,419,931	A *	1/1969	Willig	15/144.1
3,866,257	A	2/1975	Cansdale, Sr.		
4,528,714	A *	7/1985	Beck	15/230.11
5,050,261	A	9/1991	Hofacker		
5,207,755	A *	5/1993	Ampian	15/230.11
5,502,864	A	4/1996	Sorenson		
5,598,598	A	2/1997	Sorenson		

5,715,562	A *	2/1998	Lowrey et al.	15/230.11
5,860,902	A	1/1999	Jang et al.		
6,148,469	A	11/2000	Irven		
2003/0224121	A1 *	12/2003	Karroll	427/428
2004/0154119	A1 *	8/2004	Bullock	15/172

* cited by examiner

Primary Examiner—Cathron Brooks

Assistant Examiner—Barbara Fox

(57) **CLAIM**

The ornamental design for an adjustable paint roller, as shown and described.

DESCRIPTION

FIG. 1 is a perspective view of an adjustable paint roller showing my new design. The dashed lines indicate a roller brush for use therewith and form no part of the present invention.

FIG. 2 is a front elevational view thereof;

FIG. 3 is a rear elevational view thereof;

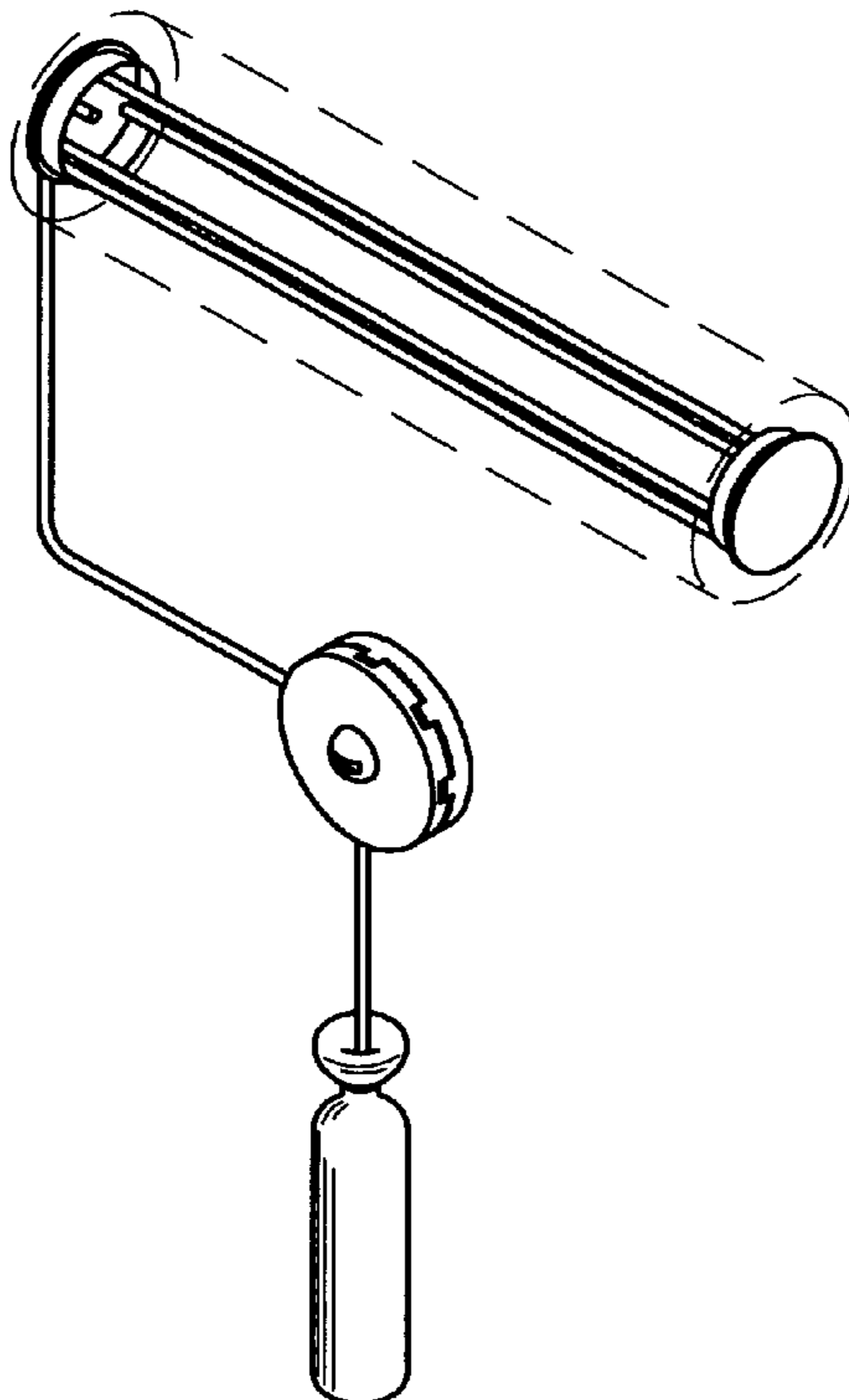
FIG. 4 is a left side elevational view thereof;

FIG. 5 is a right side elevational view thereof;

FIG. 6 is a top plan view; and,

FIG. 7 is a bottom plan view thereof.

1 Claim, 4 Drawing Sheets



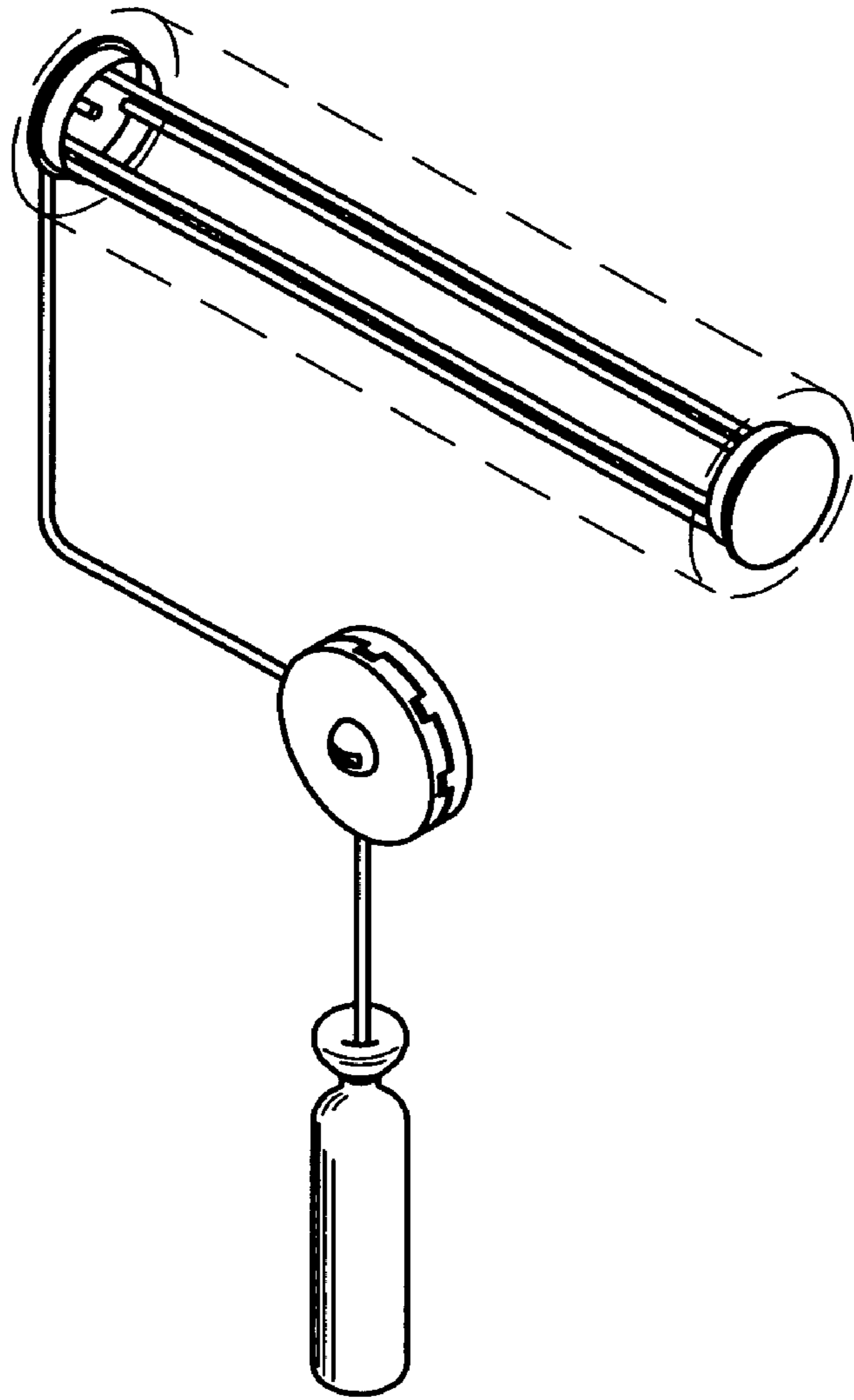


Fig. 1

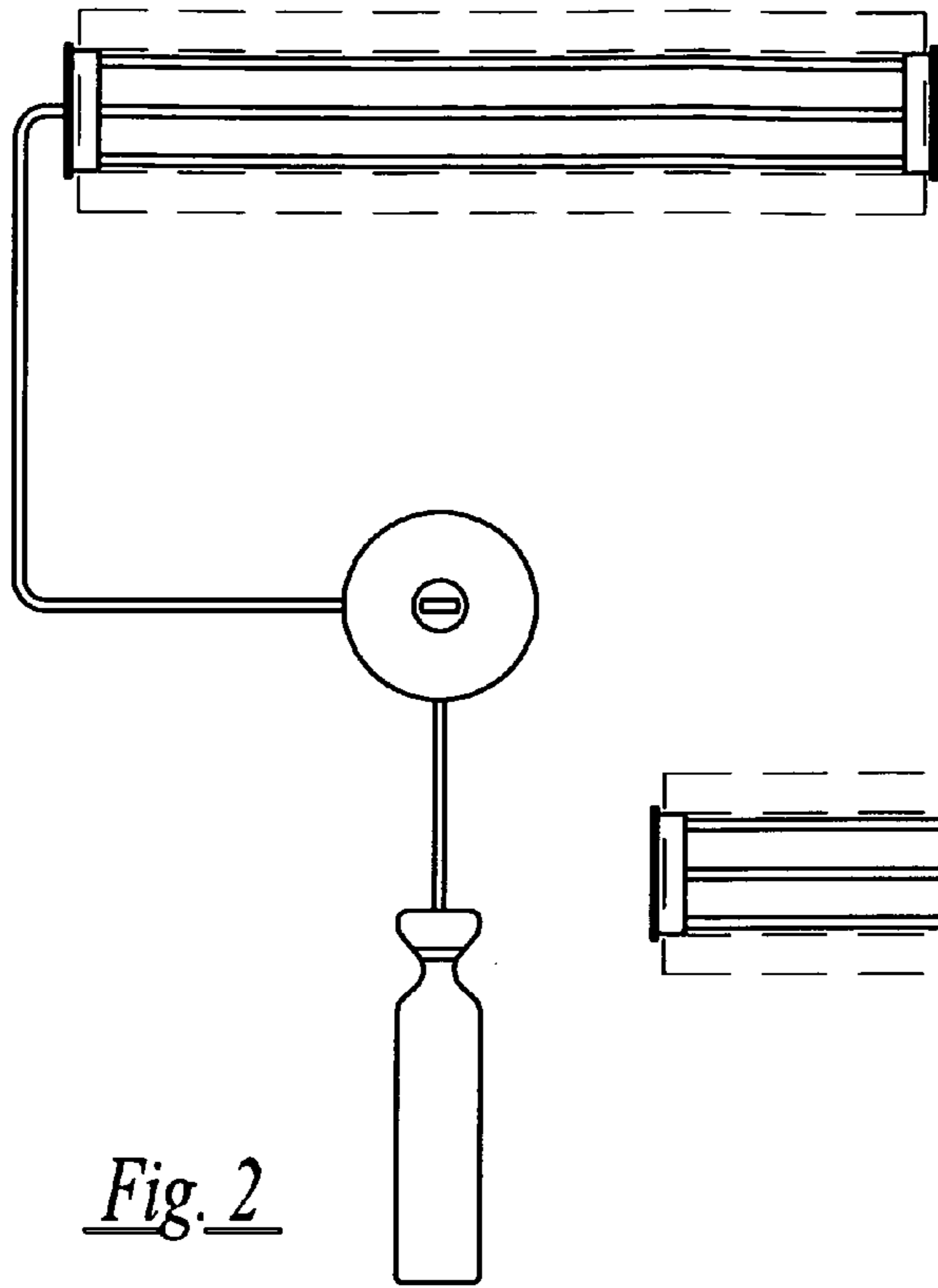


Fig. 2

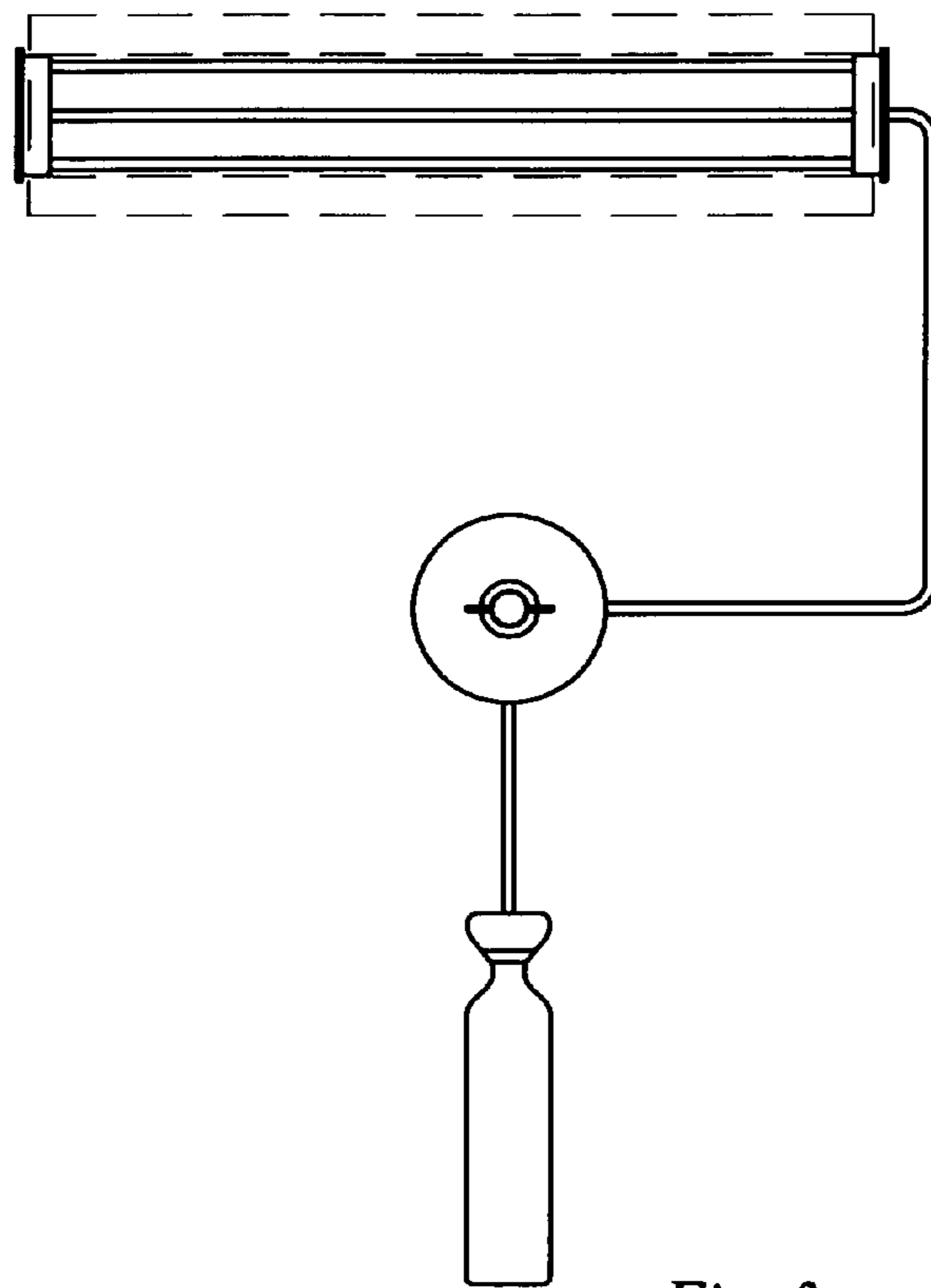


Fig. 3

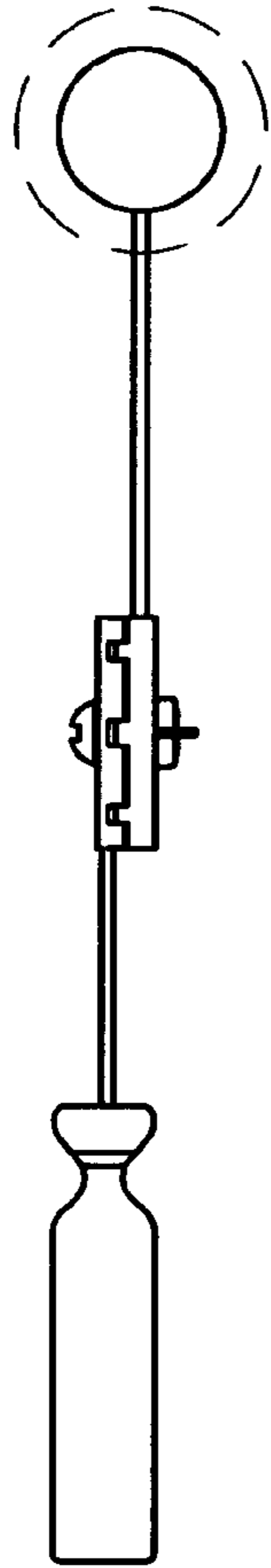


Fig. 4

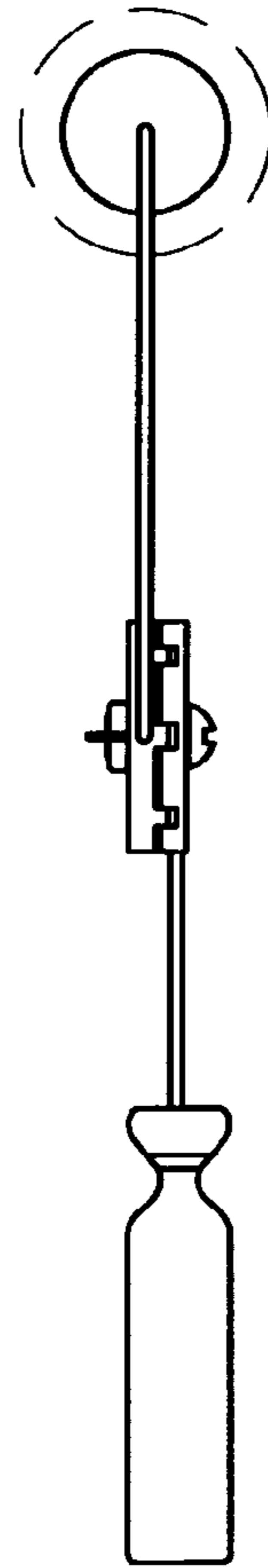


Fig. 5

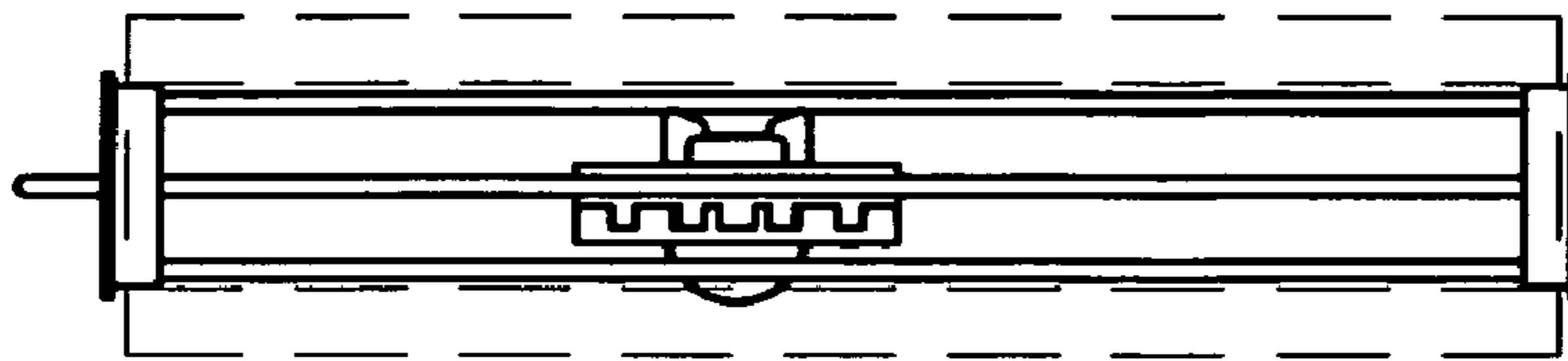


Fig. 6

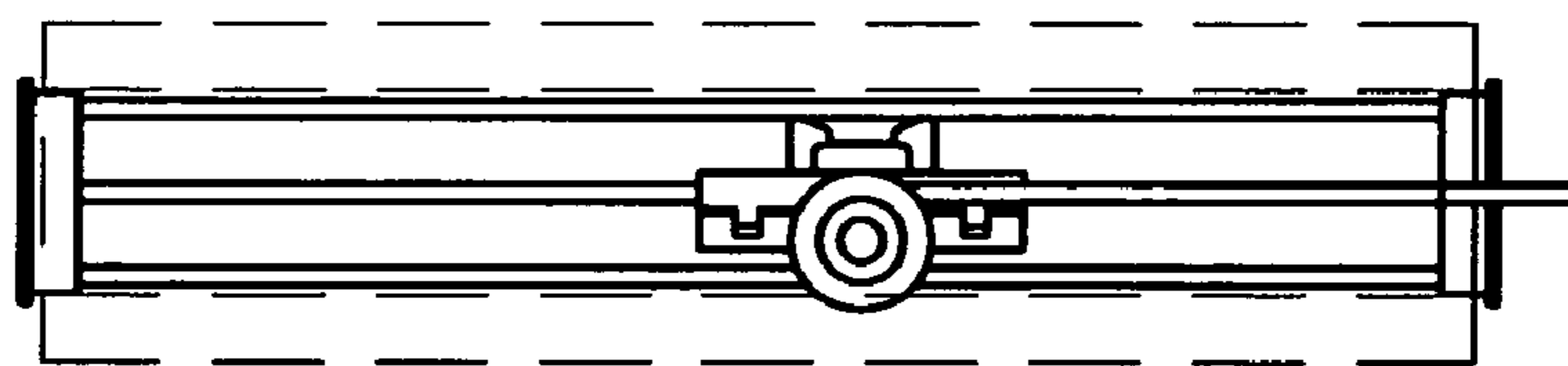


Fig. 7