



US00D578764S

(12) **United States Design Patent**  
**Chung et al.**

(10) **Patent No.:** **US D578,764 S**  
(45) **Date of Patent:** **\*\* Oct. 21, 2008**

(54) **PUSH-PULL WHEELED LUGGAGE**

(76) Inventors: **Kyong Soo Chung**, 6435 Florin Perkins Rd., Sacramento, CA (US) 95828; **Hyo Soon Chung**, 6435 Florin Perkins Rd., Sacramento, CA (US) 95828; **Samuel Seungmin Cho**, 870 E. El Camino Real, #502, Sunnyvale, CA (US) 94087

(\*\*) Term: **14 Years**

(21) Appl. No.: **29/272,414**

(22) Filed: **Feb. 8, 2007**

(51) **LOC (8) Cl.** ..... **03-01**

(52) **U.S. Cl.** ..... **D3/318**

(58) **Field of Classification Search** ..... D3/279,  
D3/318, 272-273; 190/18 A, 115, 127, 39,  
190/44-46, 37, 31 R, 25  
See application file for complete search history.

(56) **References Cited**

U.S. PATENT DOCUMENTS

D270,017 S *	8/1983	DiDonna	.....	D3/279
D292,749 S *	11/1987	Allen	.....	D3/279
D329,139 S *	9/1992	Oltrogge	.....	D3/279
D352,170 S *	11/1994	Bialo	.....	D3/279
5,573,089 A *	11/1996	Liang	.....	190/18 A
5,746,295 A *	5/1998	Schweser, Jr.	.....	190/18 A
5,758,752 A *	6/1998	King et al.	.....	190/18 A

5,873,439 A *	2/1999	Liang	.....	190/18 A
6,193,033 B1 *	2/2001	Sadow et al.	.....	190/18 A
6,237,734 B1 *	5/2001	Chen	.....	190/18 A
6,302,250 B1 *	10/2001	Sadow et al.	.....	190/18 A
D491,360 S *	6/2004	Van Himbeek	.....	D3/279
D492,110 S *	6/2004	Van Himbeek et al.	.....	D3/279
6,874,604 B2 *	4/2005	Miller et al.	.....	190/39

\* cited by examiner

Primary Examiner—Holly H Baynham

(74) *Attorney, Agent, or Firm*—Invent Capture, LLC.; Samuel S. Cho

(57) **CLAIM**

The ornamental design for a push-pull wheeled luggage, as shown and described.

**DESCRIPTION**

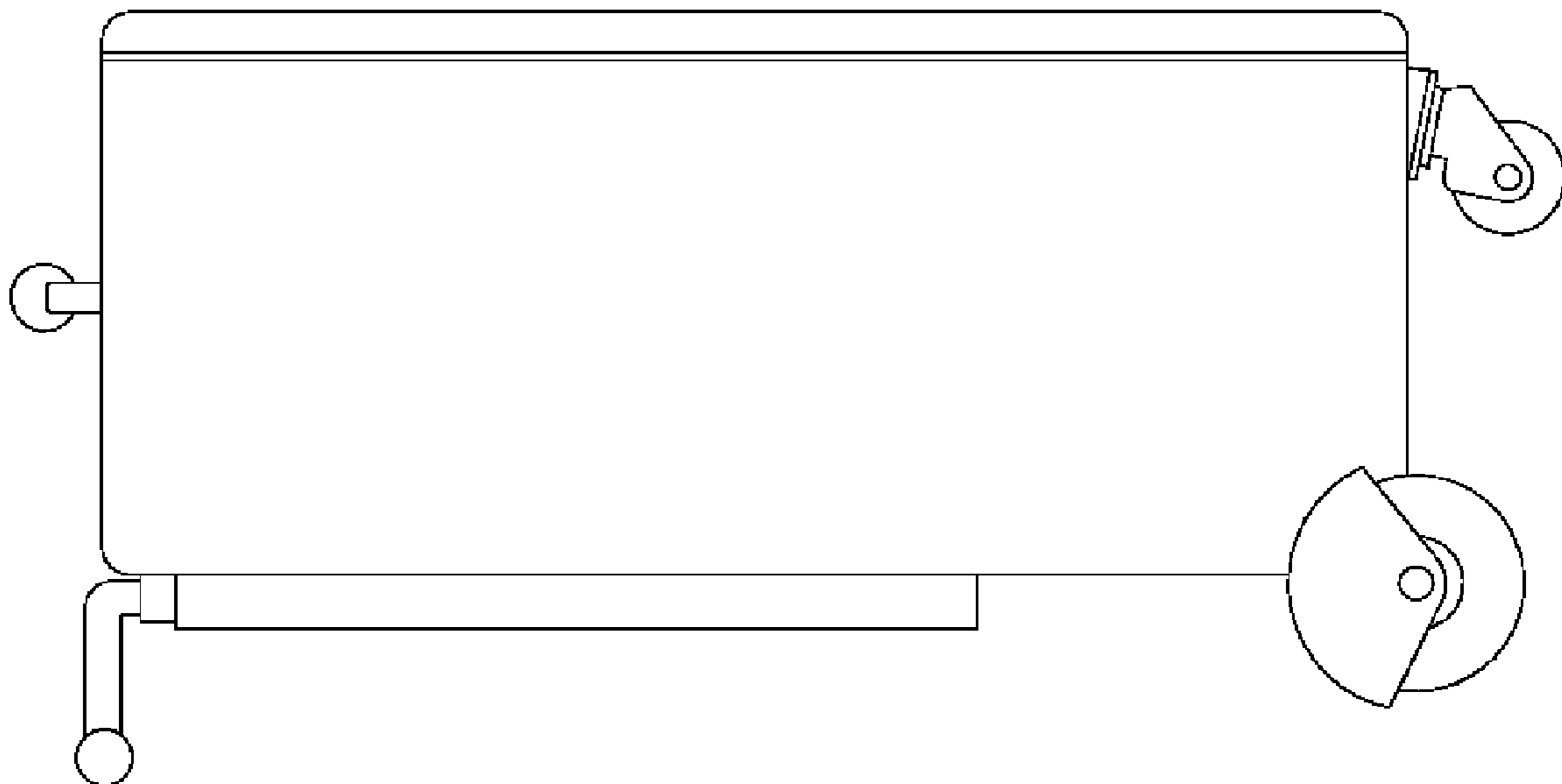
FIG. 1 is a side view of the push-pull wheeled luggage, which is tilted backward when placed on a flat surface. A user holding a handle of the push-pull wheeled luggage, shown in broken lines, is merely illustrative and does not form any part of the claimed design.

FIG. 2 is a bottom view of the push-pull wheeled luggage with a swingable wheel and a pair of fixed wheels.

FIG. 3 is a laid-down side view of the push-pull wheeled luggage; and,

FIG. 4 is an enlarged view of the swingable wheel.

**1 Claim, 4 Drawing Sheets**



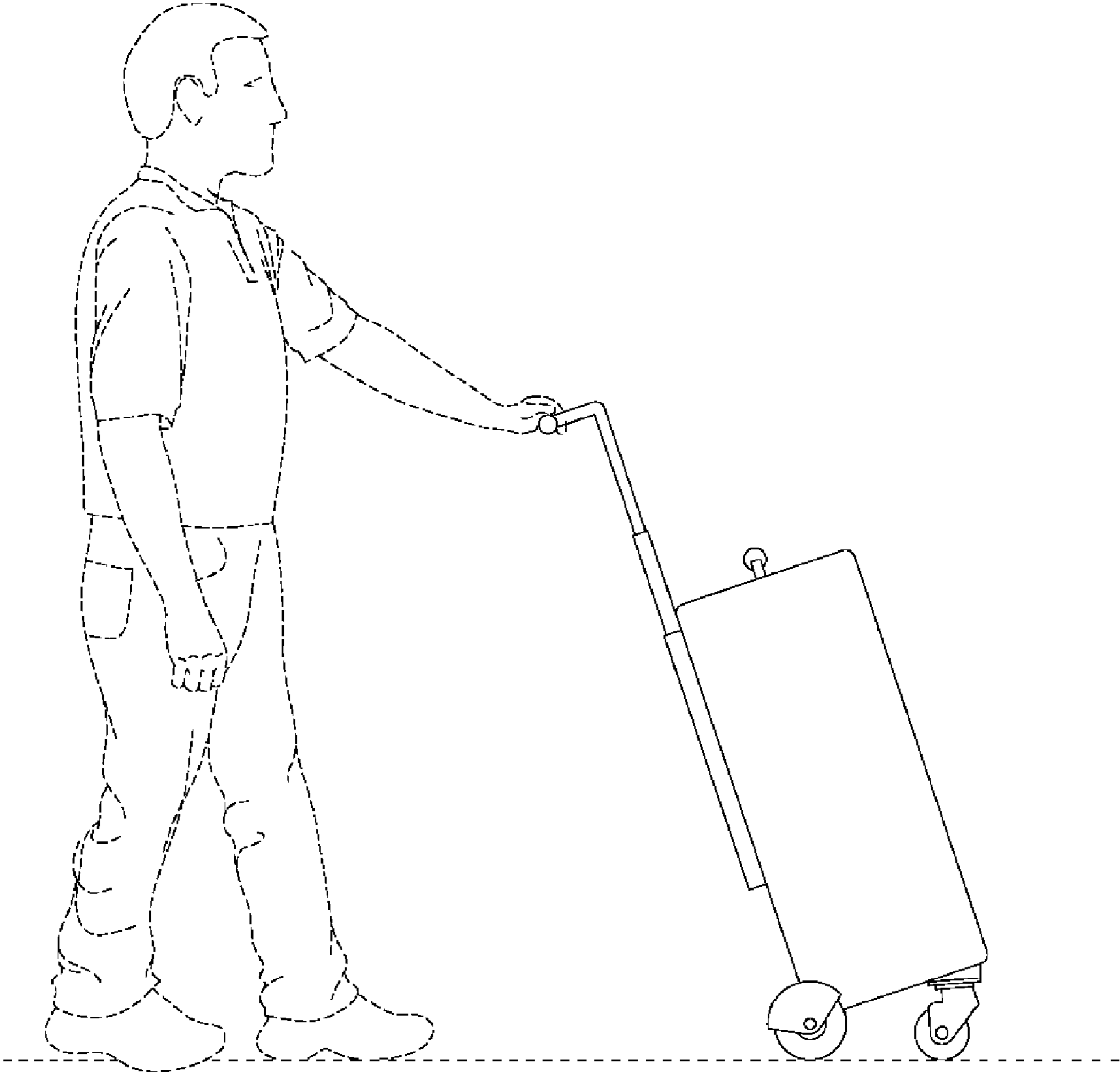


Figure 1

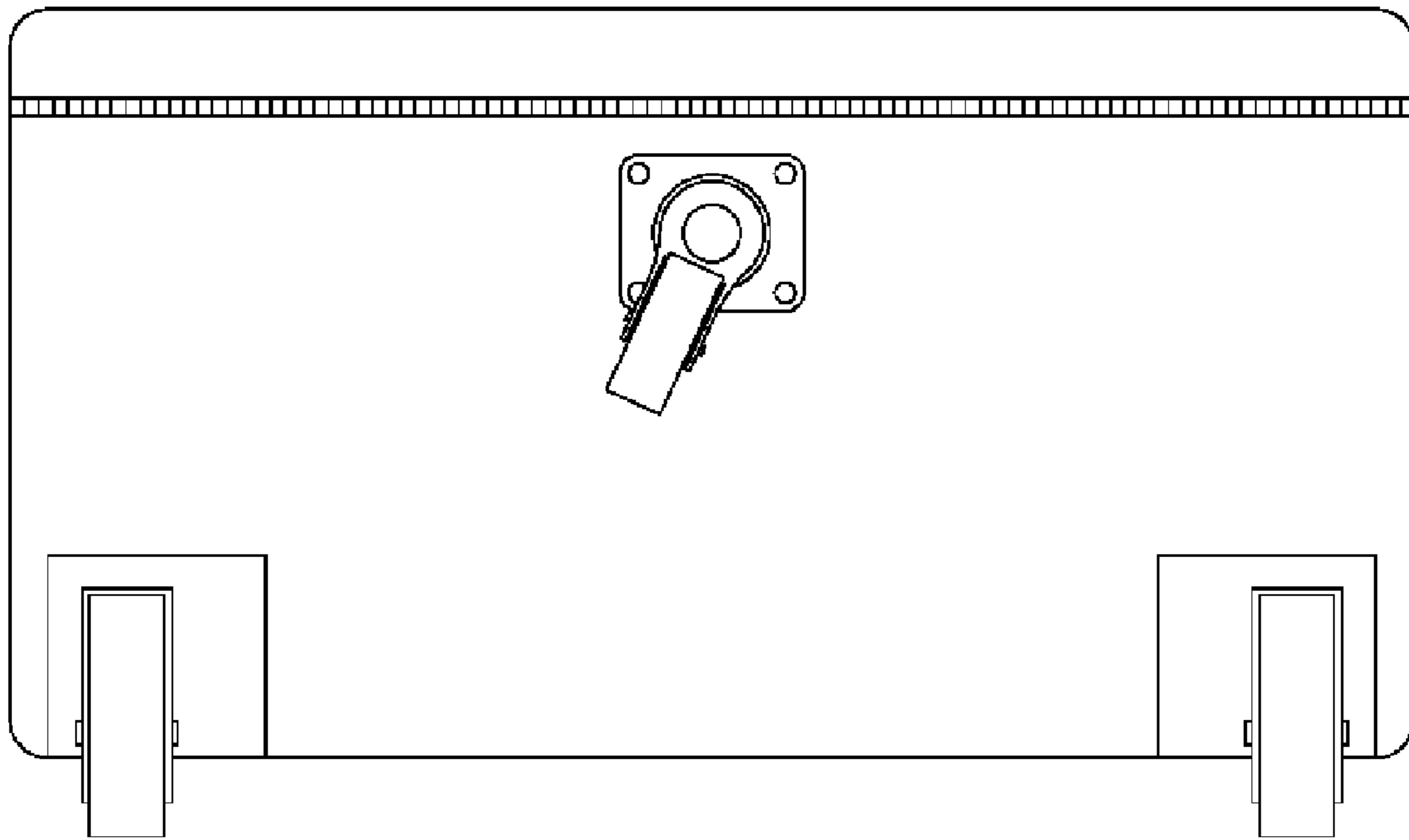


Figure 2

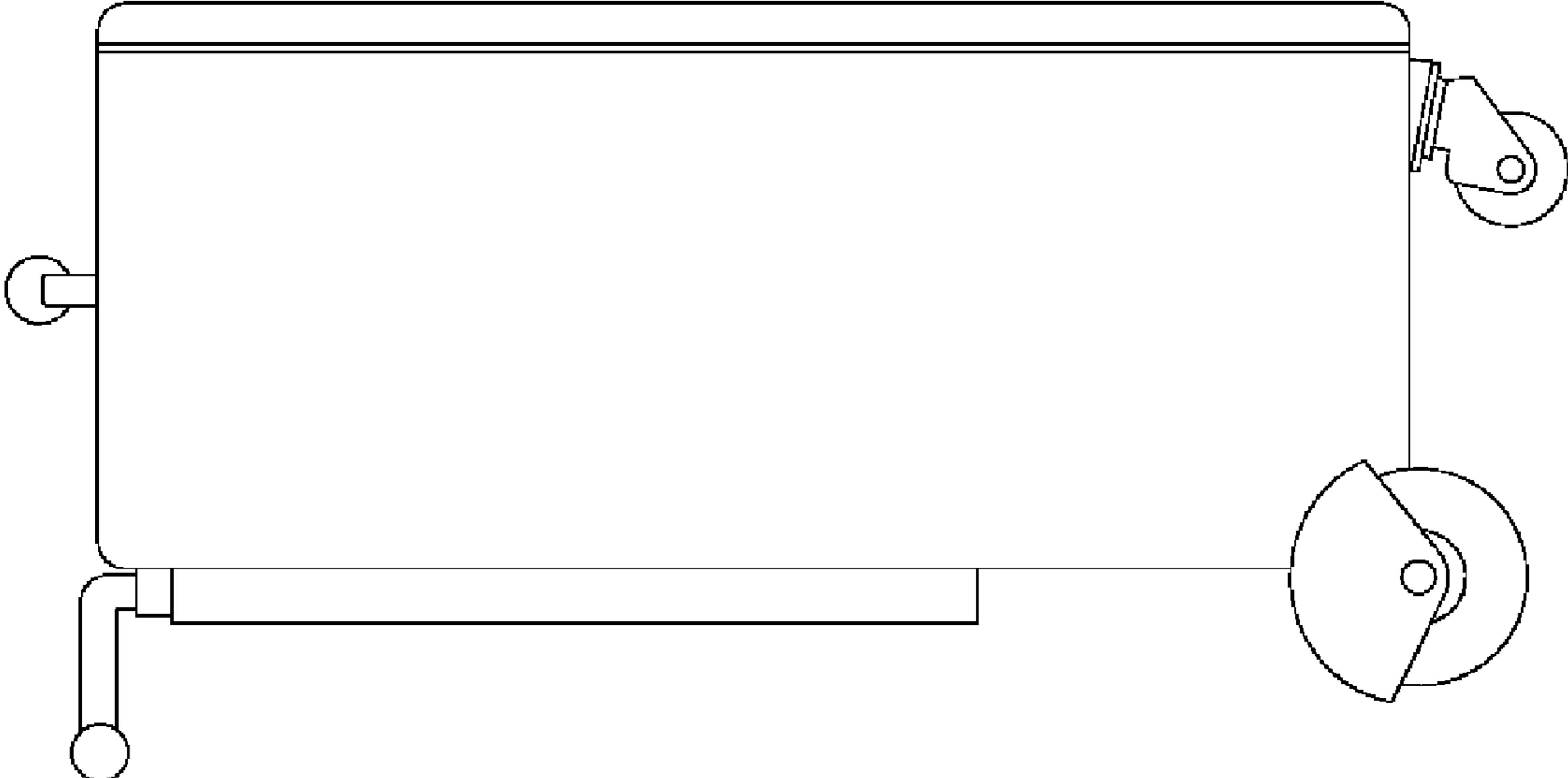


Figure 3

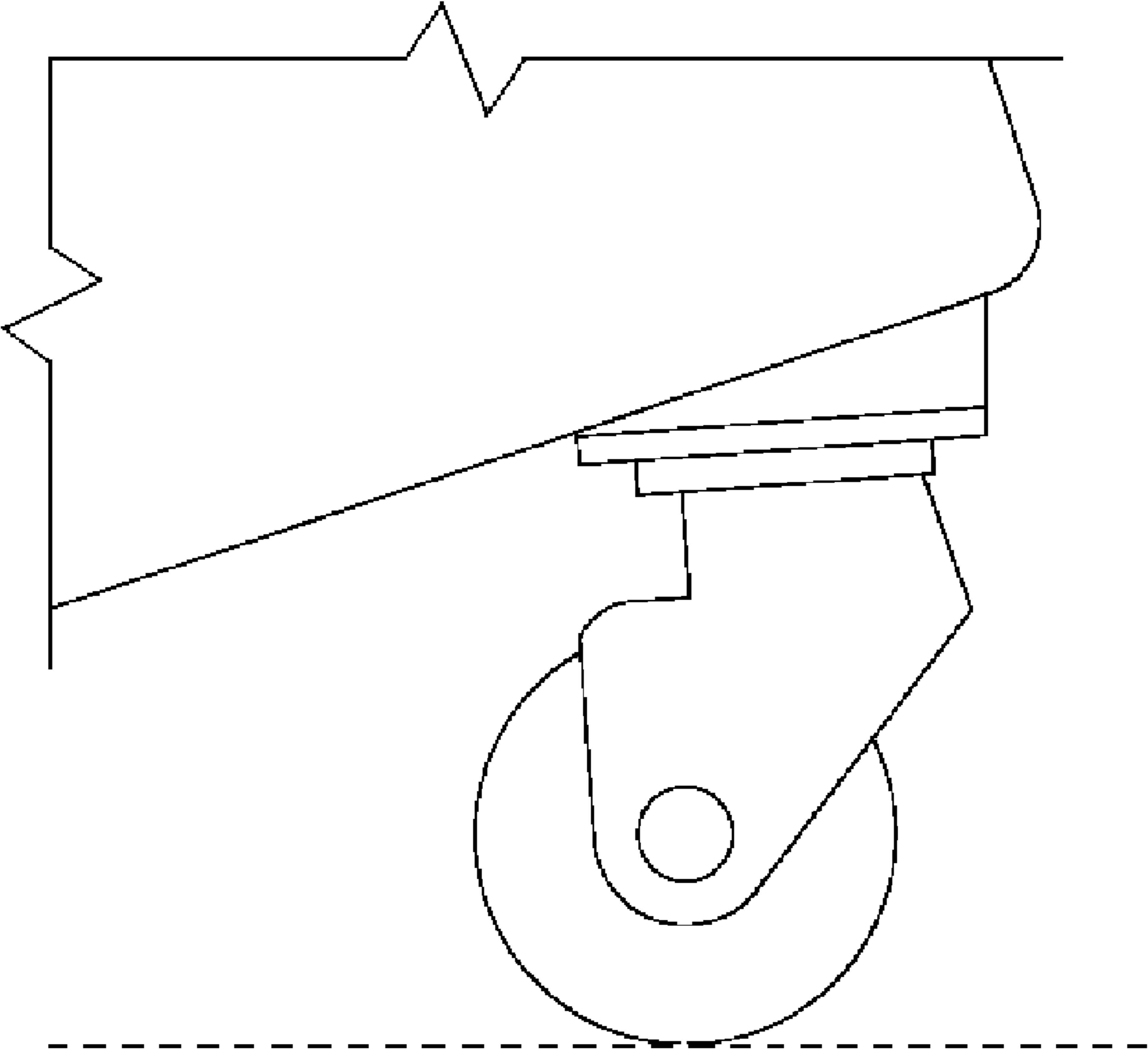


Figure 4