



US00D578759S

(12) **United States Design Patent**  
**Grenier et al.**

(10) **Patent No.:** **US D578,759 S**

(45) **Date of Patent:** **\*\* Oct. 21, 2008**

(54) **CASE WITH SIDE LATCHES**

(75) Inventors: **Jean Pierre Grenier**, Blainville (CA);  
**Benjamin Coley**, La Plaine (CA)

(73) Assignee: **Plasticase, Inc.** (CA)

(\*\*) Term: **14 Years**

(21) Appl. No.: **29/280,561**

(22) Filed: **May 31, 2007**

(51) **LOC (8) Cl.** ..... **03-01**

(52) **U.S. Cl.** ..... **D3/294; D3/905**

(58) **Field of Classification Search** ..... D3/273-274,  
D3/276, 282, 291, 294, 295, 905; D9/432;  
206/372, 373, 377-379; 200/4.21-4.24

See application file for complete search history.

(56) **References Cited**

**U.S. PATENT DOCUMENTS**

D353,048 S	12/1994	VanSkiver et al.	
D419,768 S	2/2000	Richardson et al.	
6,098,608 A *	8/2000	Oshlick	124/87
D439,407 S	3/2001	Parker	
D441,954 S	5/2001	Parker	
D462,519 S *	9/2002	Gaydos et al.	D3/276
D467,425 S	12/2002	Hardigg et al.	
D467,426 S	12/2002	Hardigg et al.	
D471,711 S	3/2003	Addison	
D472,384 S	4/2003	Richardson et al.	
6,953,126 B2	10/2005	Parker et al.	
D513,451 S *	1/2006	Richardson et al.	D3/273

D514,808 S *	2/2006	Morine et al.	D3/273
D516,309 S	3/2006	Richardson et al.	
D516,807 S *	3/2006	Richardson et al.	D3/273
D516,811 S *	3/2006	Kahle et al.	D3/282
D520,237 S	5/2006	Cheng	
D523,242 S	6/2006	Hardigg et al.	
2002/0043534 A1 *	4/2002	Uke	220/4.21
2006/0278485 A1	12/2006	Tonelli	

\* cited by examiner

*Primary Examiner*—Raphael Barkai

*Assistant Examiner*—Randall H Gholson

(74) *Attorney, Agent, or Firm*—GrayRobinson, P.A.

(57) **CLAIM**

The ornamental design of a case with side latches, as shown and described.

**DESCRIPTION**

FIG. 1 is a top plan view of our ornamental design of a case with side latches;

FIG. 2 is a front view thereof;

FIG. 3 is a left side view thereof;

FIG. 4 is a right side view thereof;

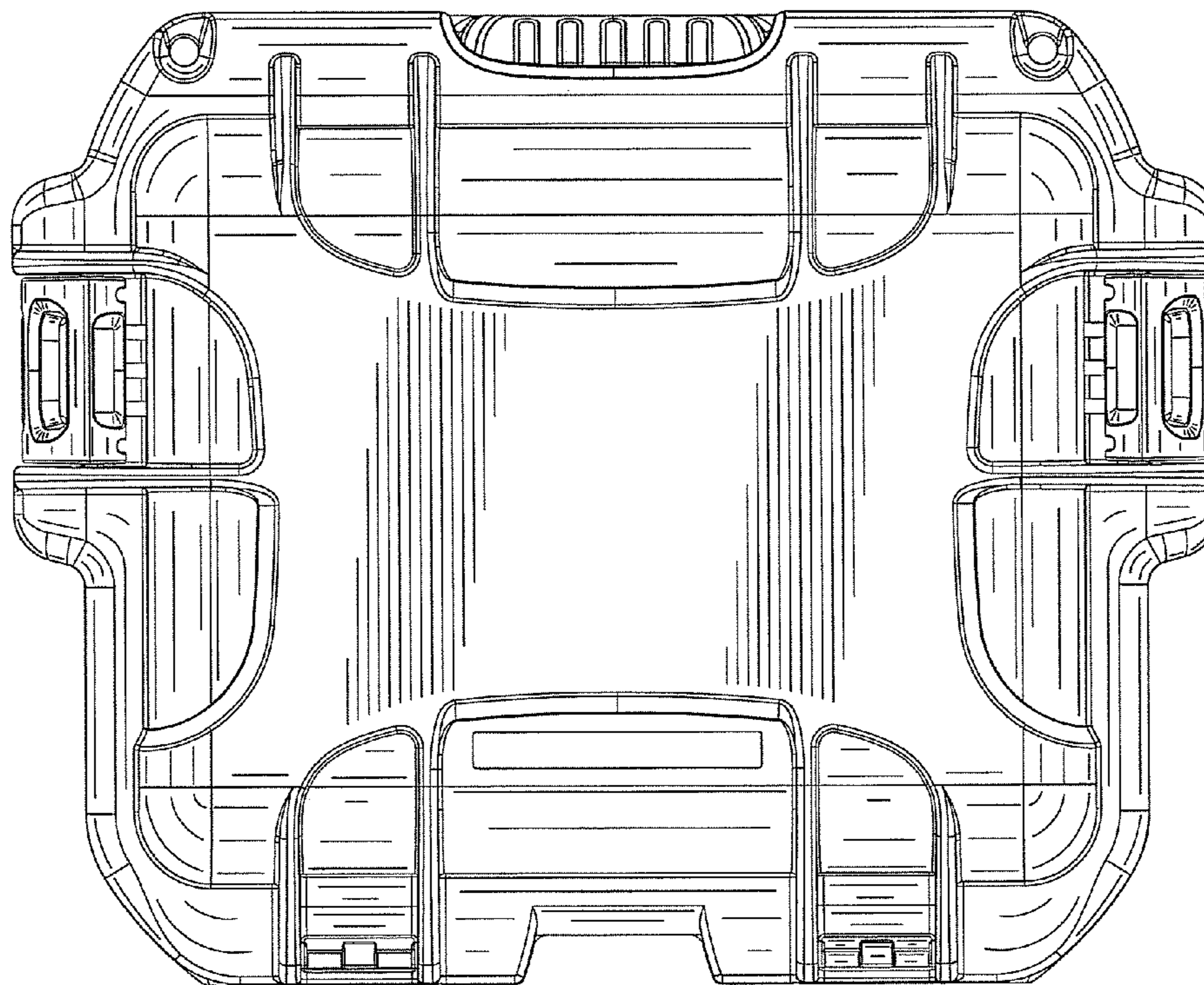
FIG. 5 is a bottom plan view thereof;

FIG. 6 is a rear view thereof;

FIG. 7 is a rear perspective view thereof; and,

FIG. 8 is a front perspective view thereof.

**1 Claim, 8 Drawing Sheets**



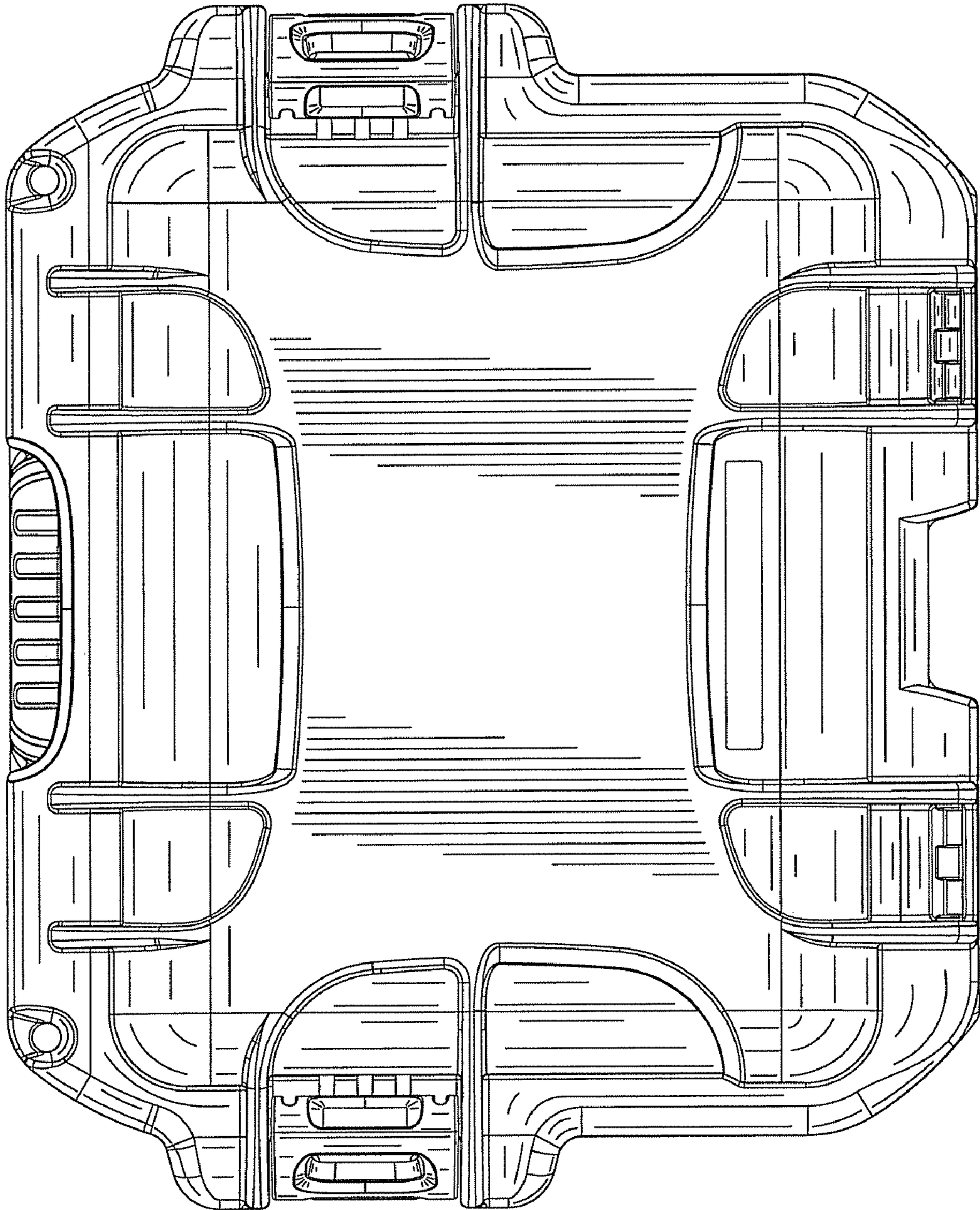


FIG. 1



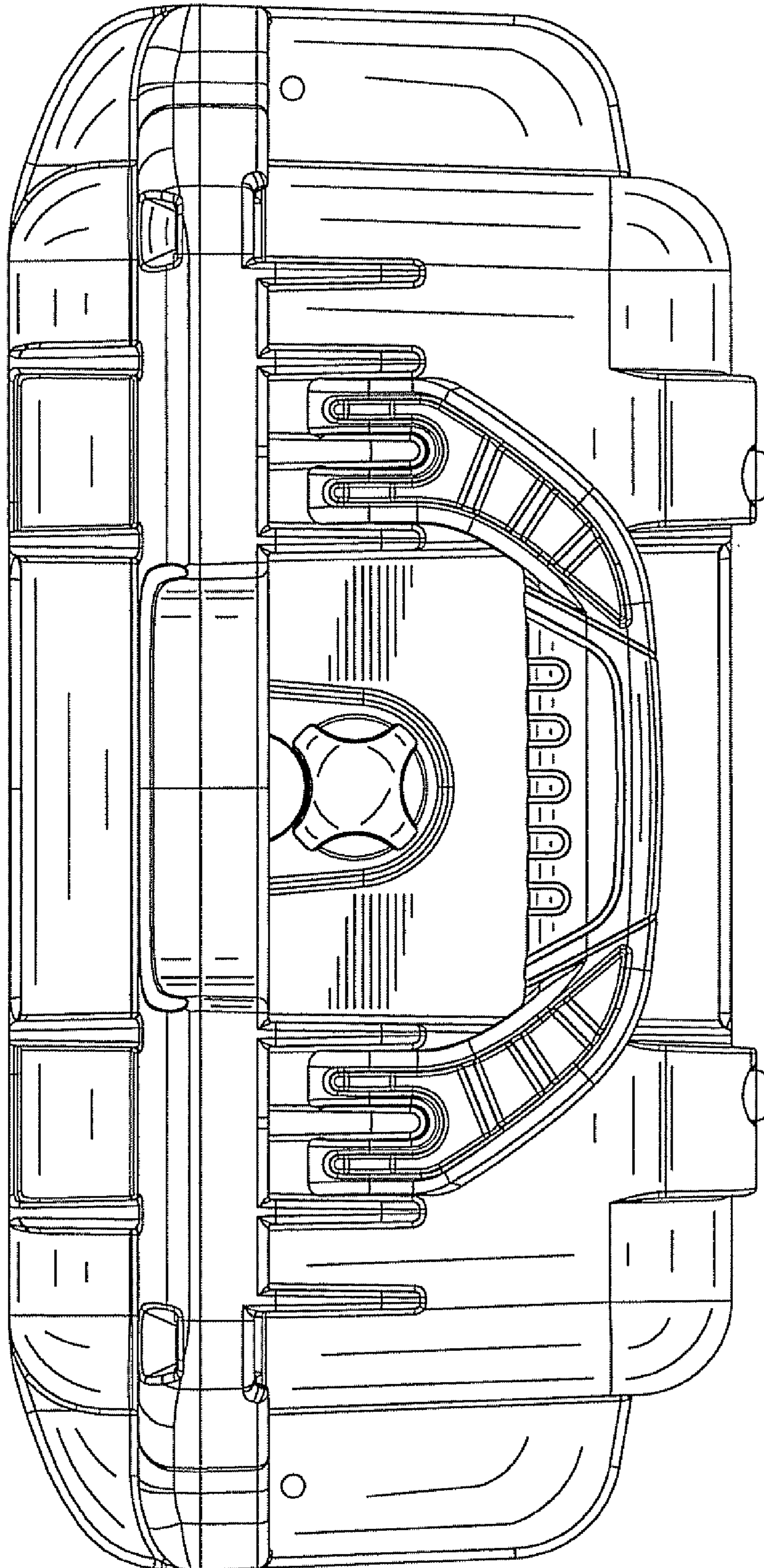
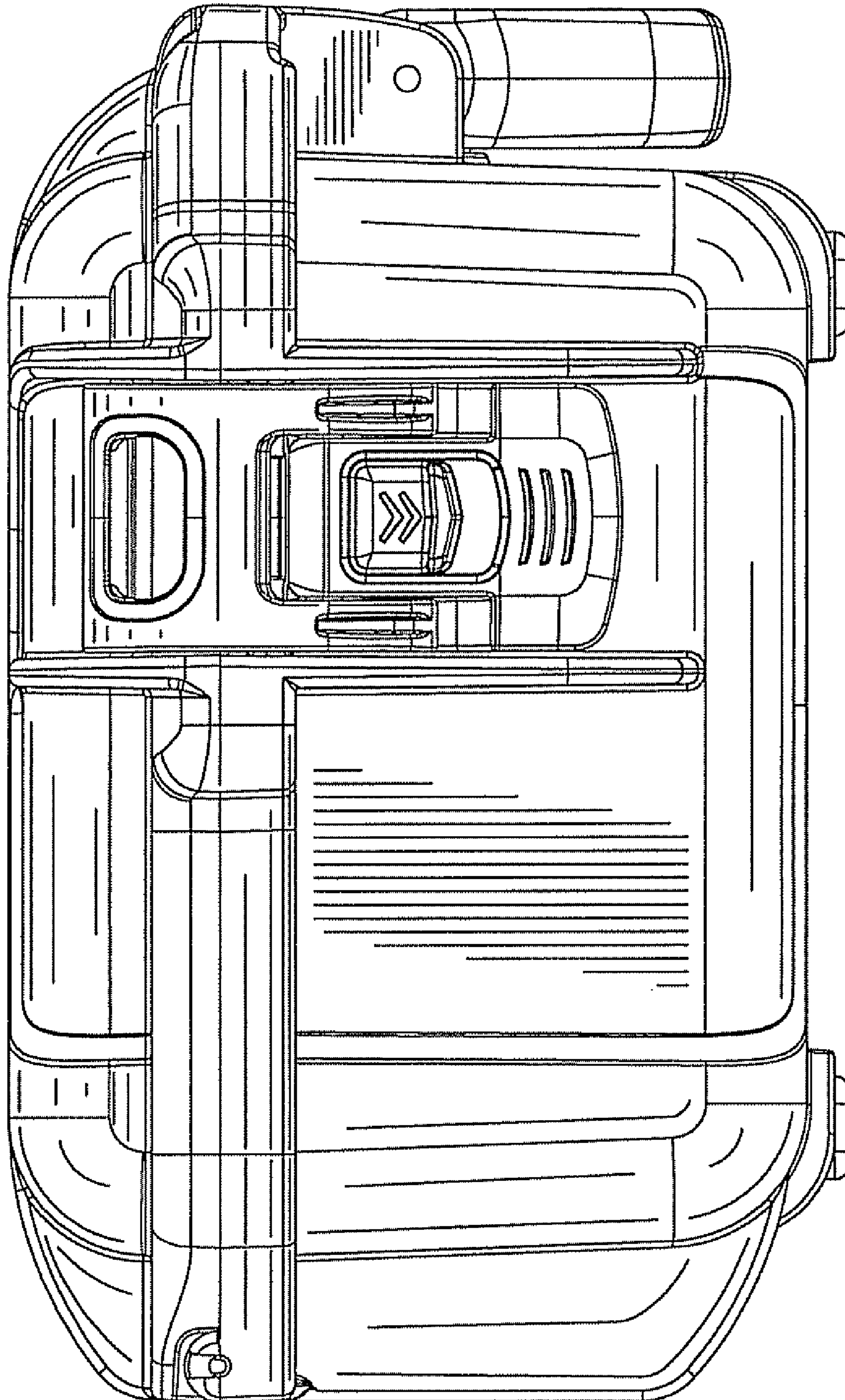
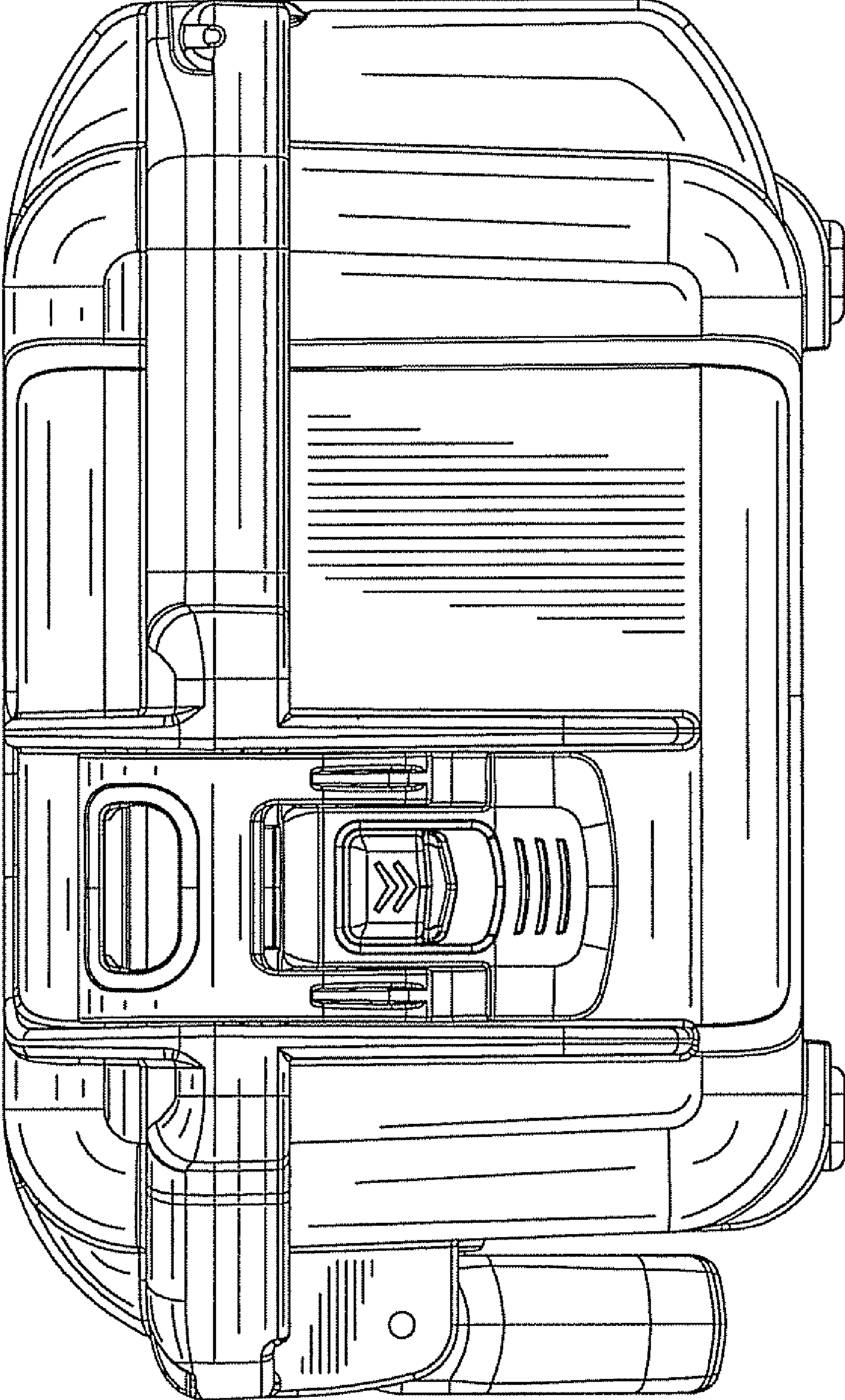


FIG. 2



**FIG. 3**



**FIG. 4**



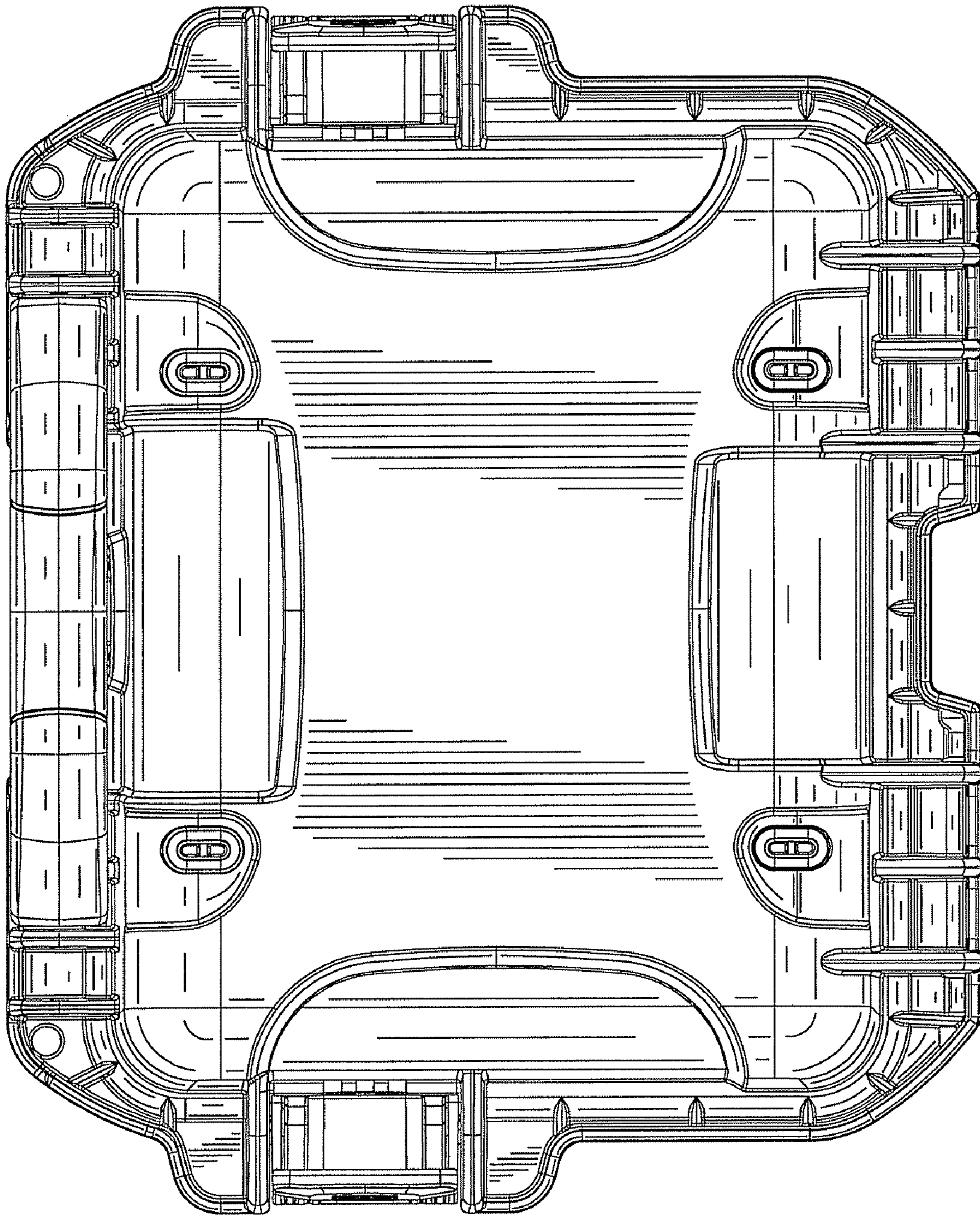
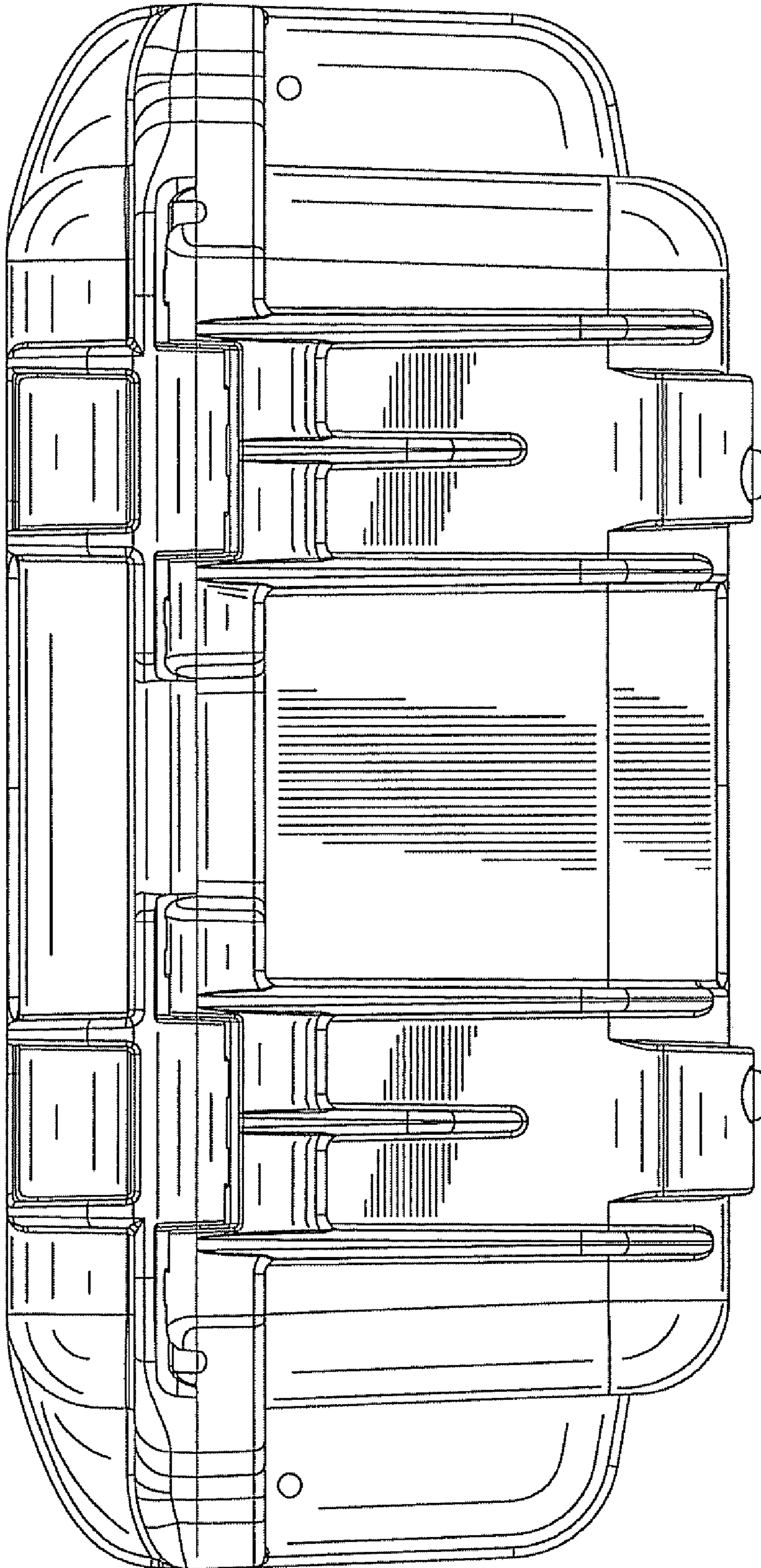


FIG. 5



**FIG. 6**



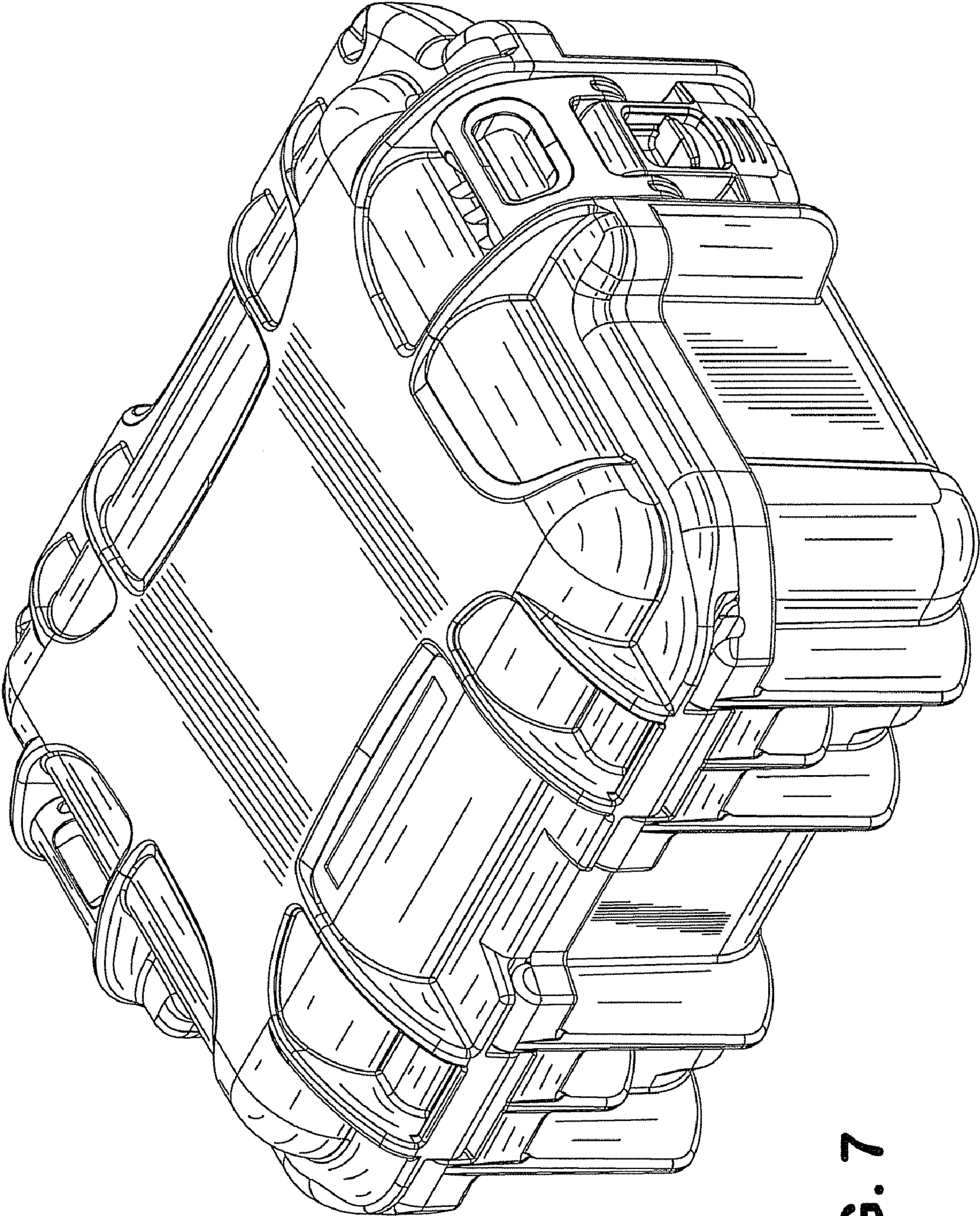


FIG. 7



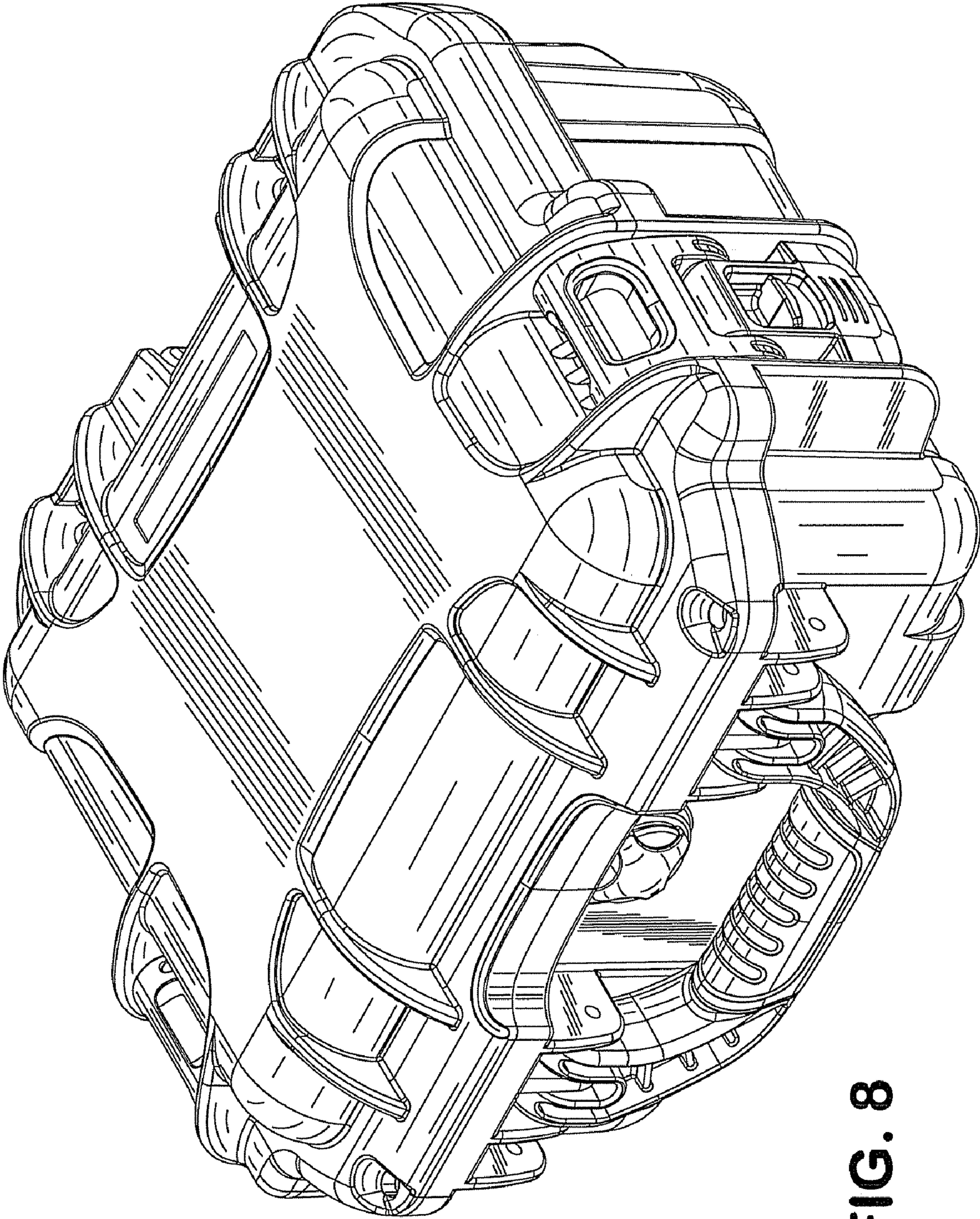


FIG. 8