



US00D578758S

(12) **United States Design Patent**  
**Stevens et al.**

(10) **Patent No.:** **US D578,758 S**

(45) **Date of Patent:** **\*\* Oct. 21, 2008**

(54) **STORAGE CONTAINER**

(75) Inventors: **Scott B. Stevens**, Cudahy, WI (US);  
**Dean D. Hacker**, Oak Creek, WI (US)

(73) Assignee: **Master Lock Company LLC**, Oak  
Creek, WI (US)

(\*\*) Term: **14 Years**

(21) Appl. No.: **29/303,797**

(22) Filed: **Feb. 18, 2008**

**Related U.S. Application Data**

(63) Continuation of application No. 29/285,671, filed on  
Apr. 5, 2007, now Pat. No. Des. 565,297.

(51) **LOC (8) Cl.** ..... **03-01**

(52) **U.S. Cl.** ..... **D3/272; D3/294**

(58) **Field of Classification Search** ..... D3/201,  
D3/272-273, 294-296, 302, 905; D22/136;  
D99/28, 99; 206/503, 505, 508, 511; 220/4.24,  
220/4.27

See application file for complete search history.

(56) **References Cited**

**U.S. PATENT DOCUMENTS**

|            |         |                  |
|------------|---------|------------------|
| D271,343 S | 11/1983 | Miller           |
| D321,090 S | 10/1991 | Dickinson        |
| D321,091 S | 10/1991 | Dickinson        |
| D342,609 S | 12/1993 | Brightbill       |
| D347,113 S | 5/1994  | Bornhorst et al. |
| D348,342 S | 6/1994  | Lang-Ree et al.  |
| D361,511 S | 8/1995  | Dickinson et al. |
| D361,715 S | 8/1995  | Haupt            |
| D367,958 S | 3/1996  | Tisbo et al.     |
| D374,772 S | 10/1996 | Hotaling et al.  |
| D376,259 S | 12/1996 | Dickinson et al. |
| D378,874 S | 4/1997  | Dickinson et al. |
| D379,266 S | 5/1997  | Dickinson et al. |
| D382,114 S | 8/1997  | Dickinson et al. |

|                 |         |                  |
|-----------------|---------|------------------|
| D382,795 S      | 8/1997  | Abayhan et al.   |
| D389,309 S      | 1/1998  | Shaw             |
| D394,550 S      | 5/1998  | Tanji            |
| D408,631 S      | 4/1999  | Dickinson et al. |
| D414,038 S      | 9/1999  | Van Rhiene       |
| D429,415 S      | 8/2000  | Shapiro          |
| D429,565 S      | 8/2000  | Aiken            |
| D430,395 S      | 9/2000  | Holahan          |
| D432,787 S      | 10/2000 | Holahan          |
| D439,514 S      | 3/2001  | Burra            |
| D451,278 S      | 12/2001 | Cooper           |
| D459,073 S      | 6/2002  | Lee              |
| D527,523 S      | 9/2006  | Cornwell et al.  |
| D528,793 S      | 9/2006  | Cornwell et al.  |
| D537,630 S      | 3/2007  | Gibson           |
| D565,297 S      | 4/2008  | Stevens et al.   |
| 2006/0254946 A1 | 11/2006 | Becklin          |

*Primary Examiner*—Ian Simmons

*Assistant Examiner*—Roselyne Cody

(74) *Attorney, Agent, or Firm*—Calfee, Halter & Griswold  
LLP

(57) **CLAIM**

The ornamental design for a storage container, as shown and  
described.

**DESCRIPTION**

FIG. 1 is a perspective view of a storage container of the new  
design;

FIG. 2 is a right side view of the storage container of FIG. 1;

FIG. 3 is a left side view of the storage container of FIG. 1;

FIG. 4 is a top view of the storage container of FIG. 1;

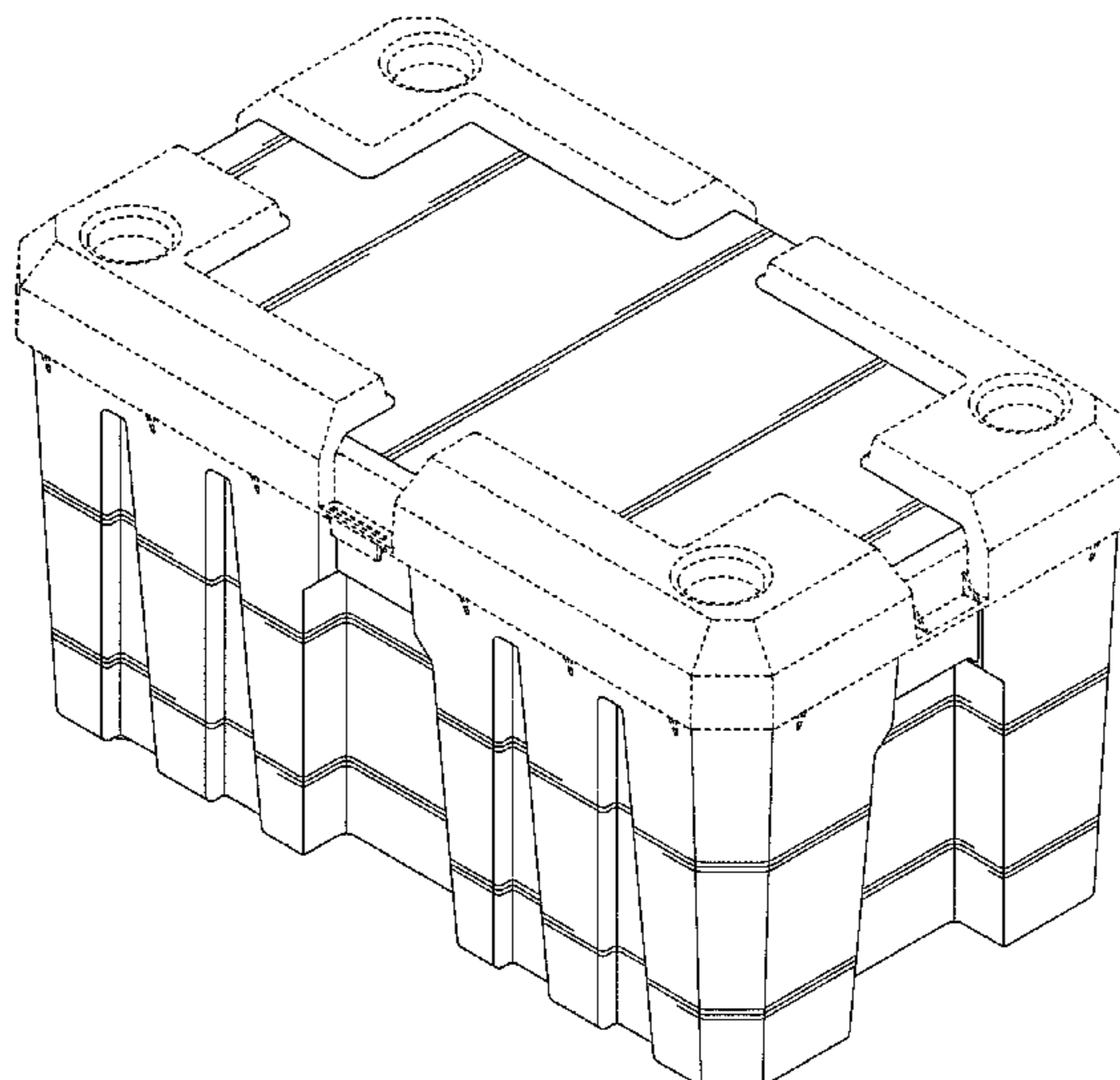
FIG. 5 is a front view of the storage container of FIG. 1;

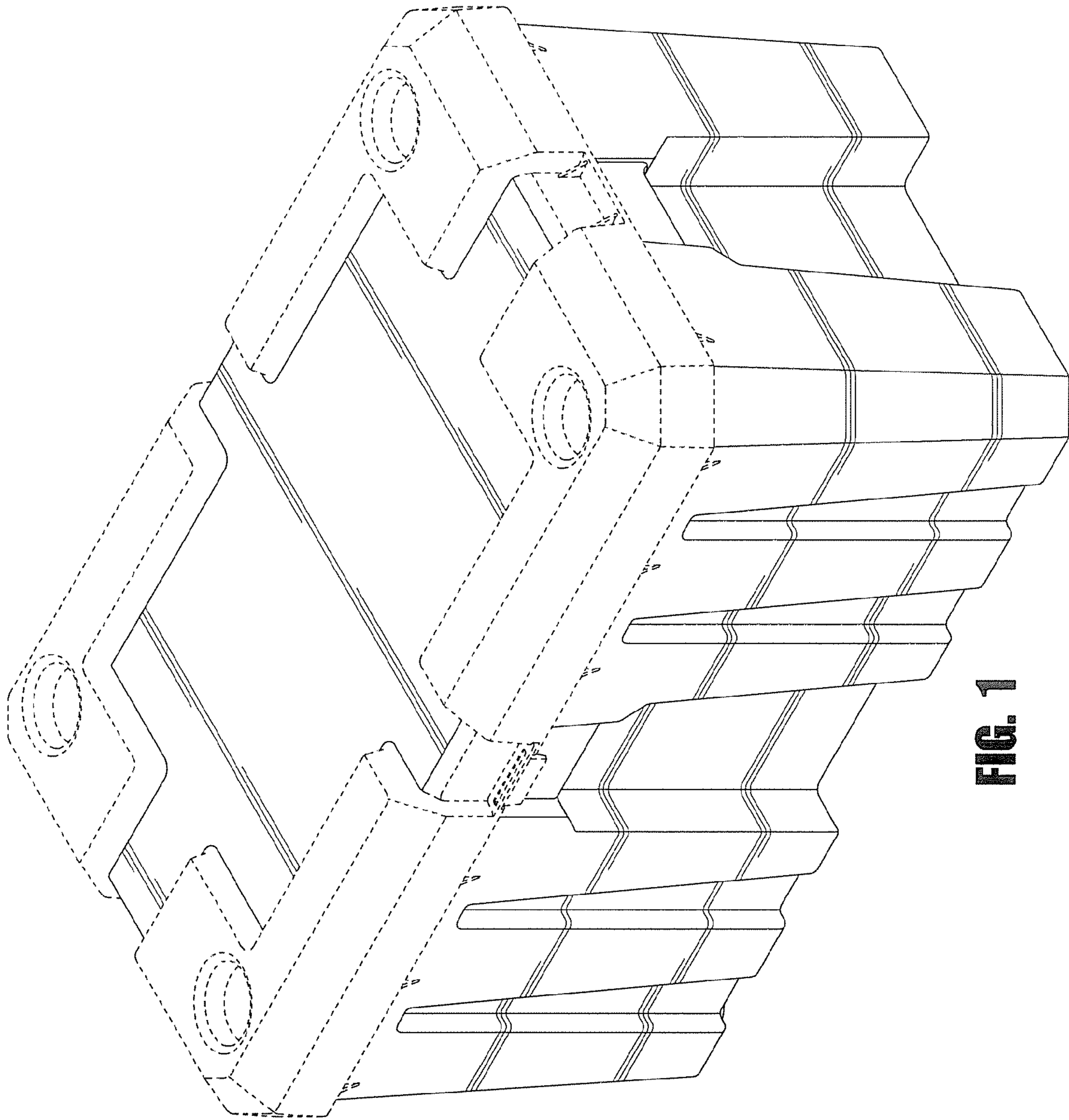
FIG. 6 is a rear view of the storage container of FIG. 1; and,

FIG. 7 is a bottom view of the storage container of FIG. 1.

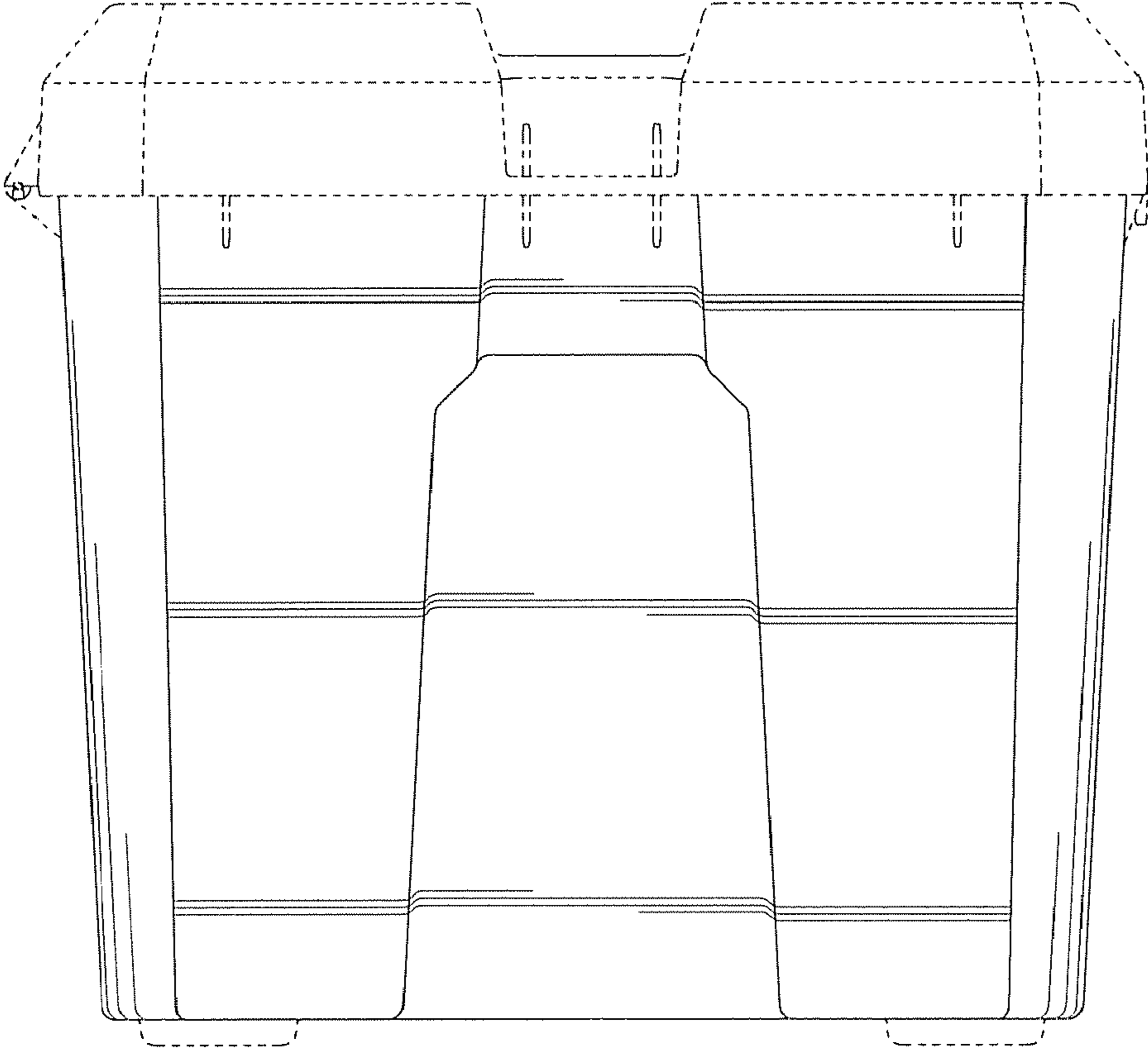
The portions of the Figures shown in phantom lines are not  
part of the claimed design, but are illustrative of environment  
only.

**1 Claim, 6 Drawing Sheets**

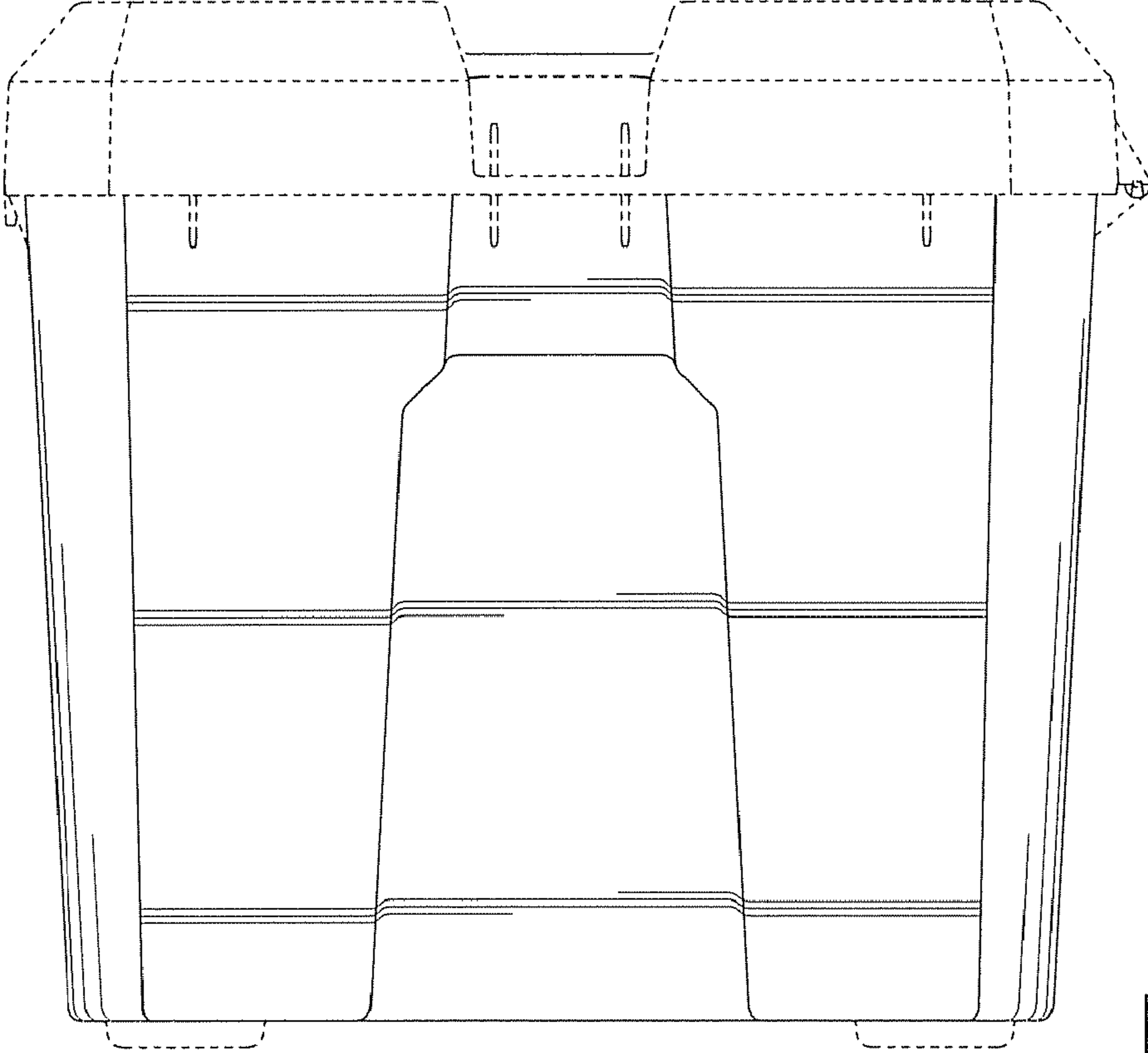




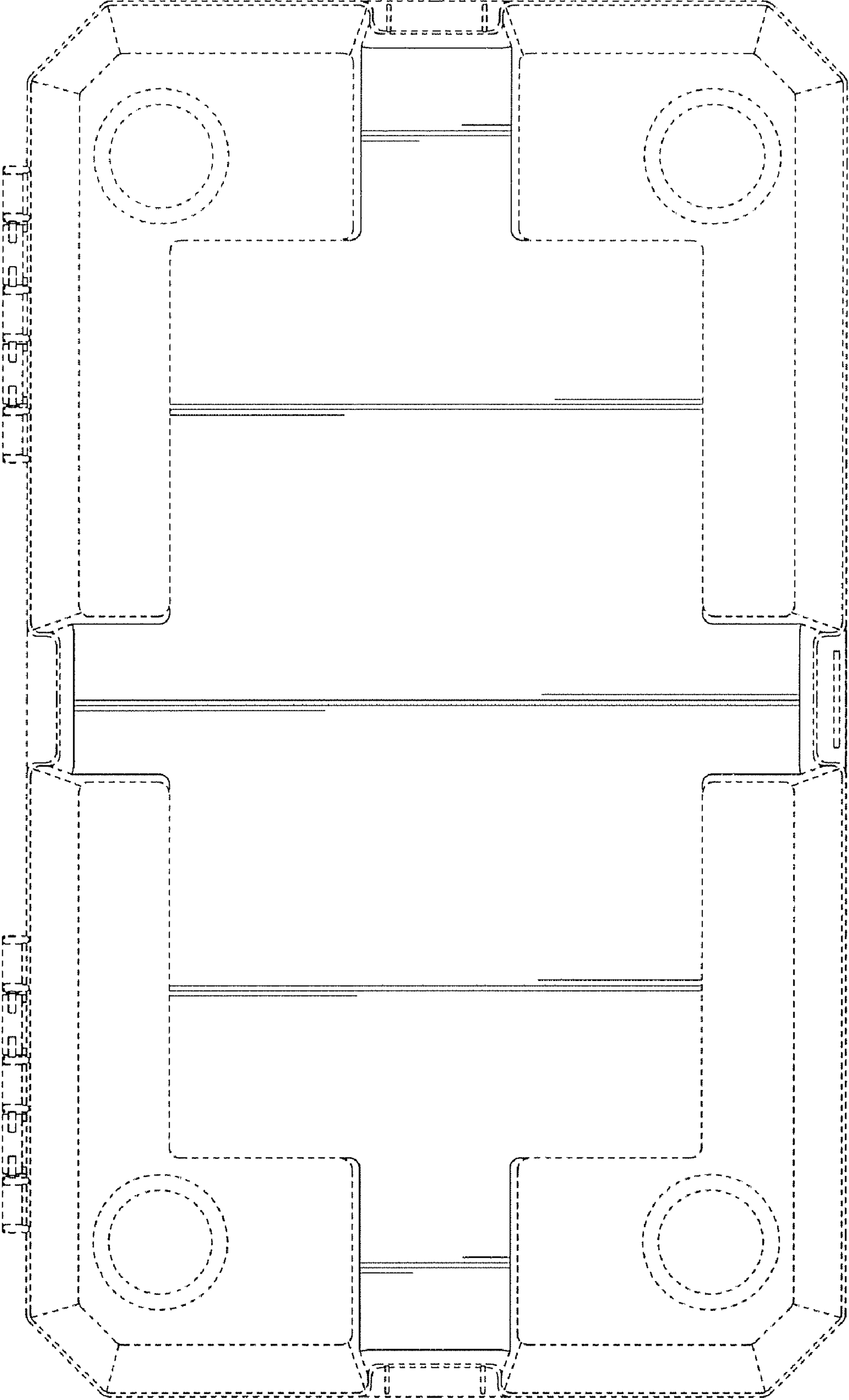
**FIG. 1**



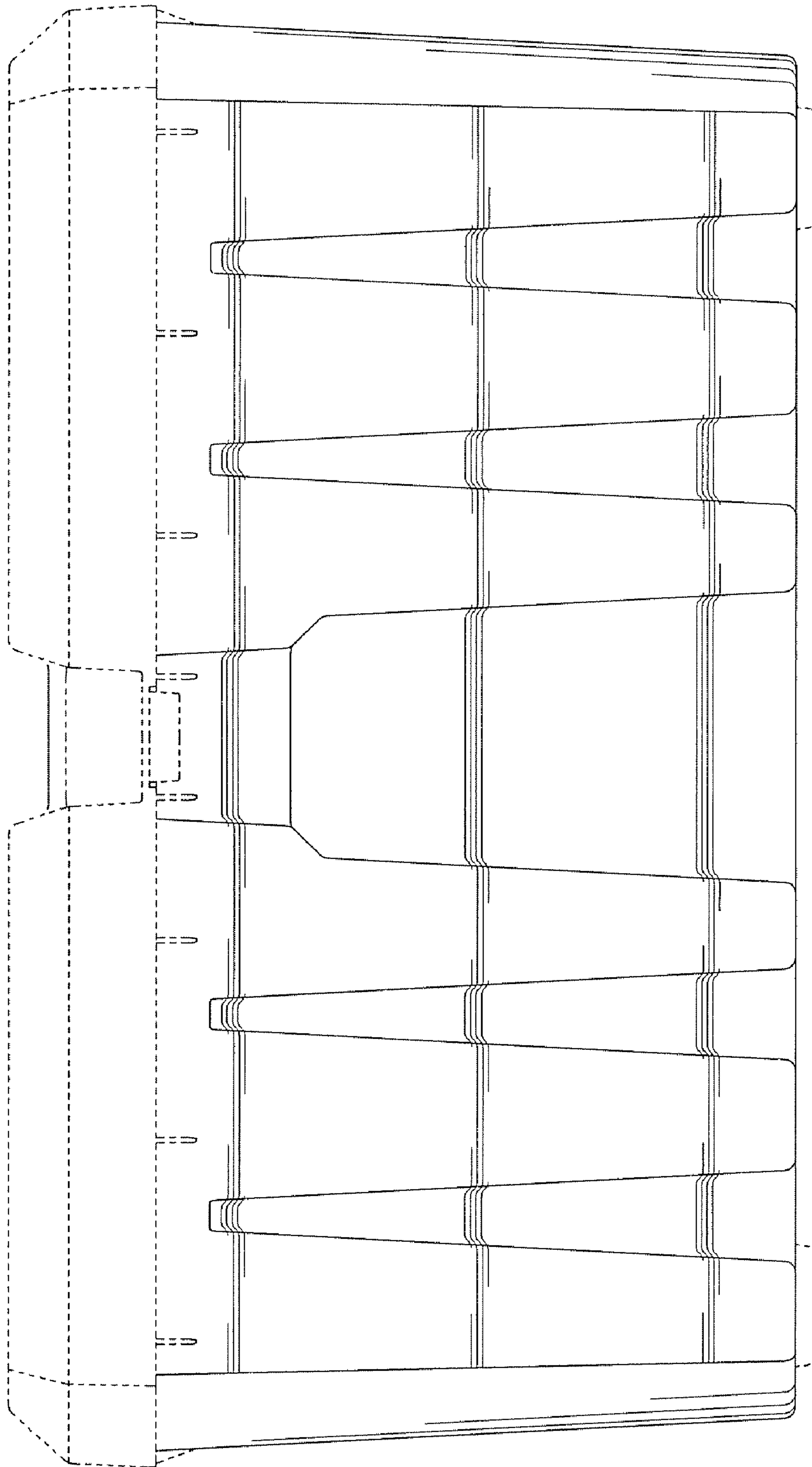
**FIG. 2**



**FIG. 3**



**FIG. 4**



**FIG. 5**

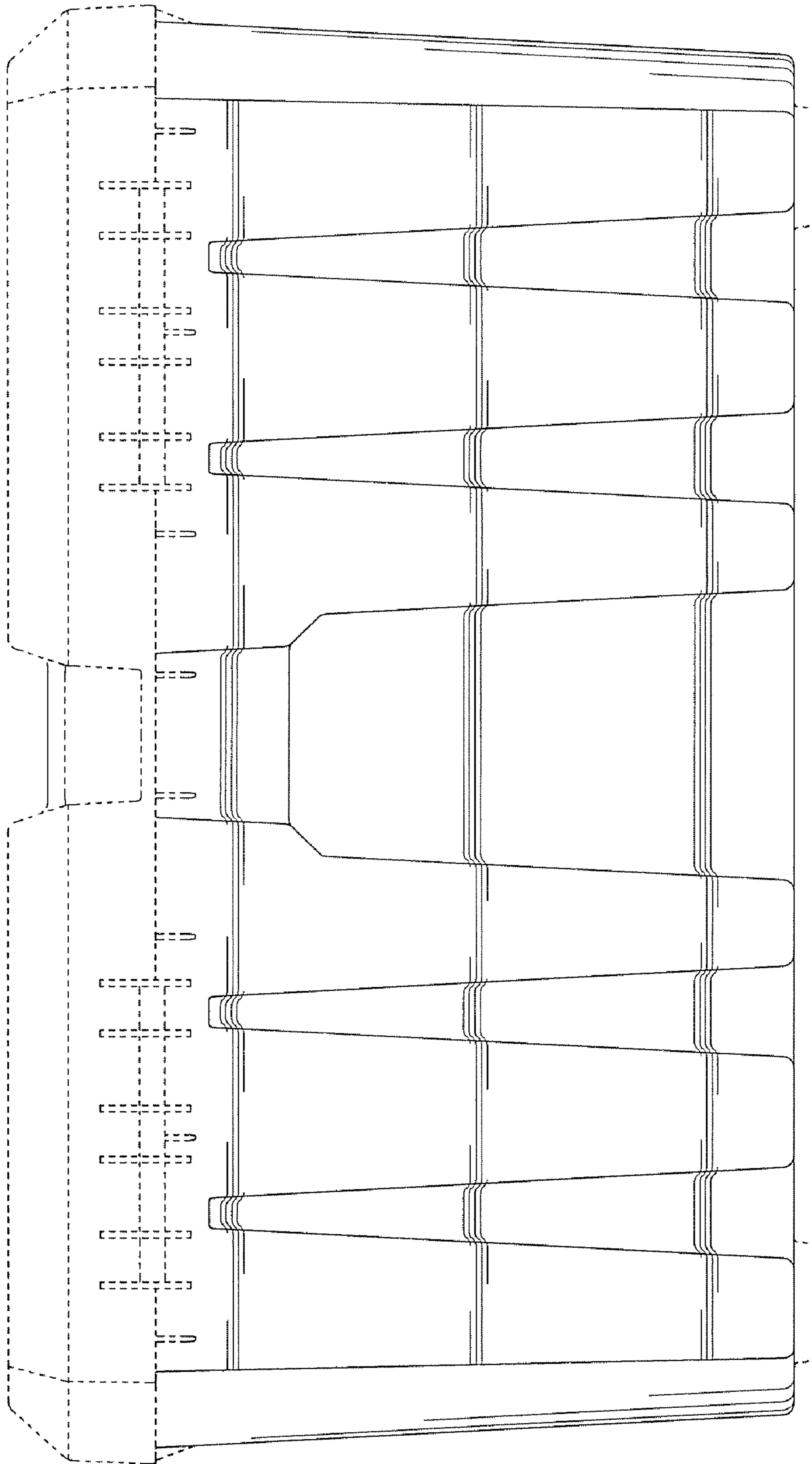


FIG. 6

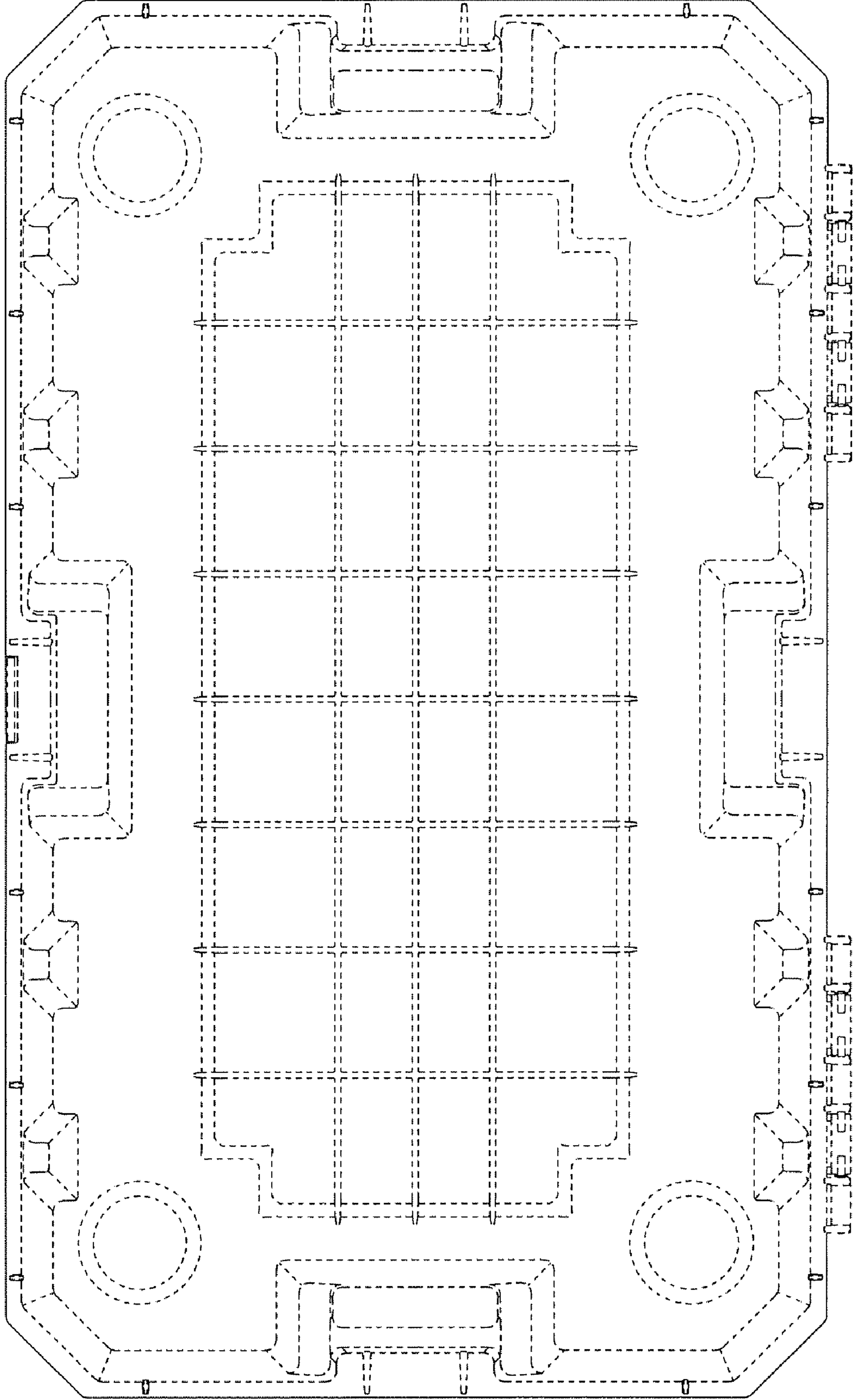


FIG. 7