



US00D578757S

(12) **United States Design Patent**
Stevens et al.

(10) **Patent No.:** **US D578,757 S**
(45) **Date of Patent:** **** Oct. 21, 2008**

(54) **STORAGE CONTAINER**

(75) Inventors: **Scott B. Stevens**, Cudahy, WI (US);
Dean D. Hacker, Oak Creek, WI (US)

(73) Assignee: **Master Lock Company LLC**, Oak
Creek, WI (US)

(**) Term: **14 Years**

(21) Appl. No.: **29/303,796**

(22) Filed: **Feb. 18, 2008**

D408,631 S	4/1999	Dickinson et al.
D414,038 S	9/1999	Van Rhienen
D429,415 S	8/2000	Shapiro
D429,565 S	8/2000	Aiken
D430,395 S	9/2000	Holahan
D432,787 S	10/2000	Holahan
D439,514 S	3/2001	Burra
D451,278 S	12/2001	Cooper
D459,073 S	6/2002	Lee
D527,523 S	9/2006	Cornwell et al.
D528,793 S	9/2006	Cornwell et al.
D537,630 S	3/2007	Gibson
D565,297 S	4/2008	Stevens et al.
2006/0254946 A1	11/2006	Becklin

Related U.S. Application Data

(63) Continuation of application No. 29/285,671, filed on
Apr. 5, 2007, now Pat. No. Des. 565,297.

(51) **LOC (8) Cl.** **03-01**

(52) **U.S. Cl.** **D3/272; D3/294**

(58) **Field of Classification Search** D3/201,
D3/272-273, 294-296, 302, 905; D22/136;
D99/28, 99; 206/503, 505, 508, 511; 220/4.24,
220/4.27

See application file for complete search history.

(56) **References Cited**

U.S. PATENT DOCUMENTS

D271,343 S	11/1983	Miller
D321,090 S	10/1991	Dickinson
D321,091 S	10/1991	Dickinson
D342,609 S	12/1993	Brightbill
D347,113 S	5/1994	Bornhorst et al.
D348,342 S	6/1994	Lang-Ree et al.
D361,511 S	8/1995	Dickinson et al.
D361,715 S	8/1995	Haupt
D367,958 S	3/1996	Tisbo et al.
D374,772 S	10/1996	Hotaling et al.
D376,259 S	12/1996	Dickinson et al.
D378,874 S	4/1997	Dickinson et al.
D379,266 S	5/1997	Dickinson et al.
D382,114 S	8/1997	Dickinson et al.
D382,795 S	8/1997	Abayhan et al.
D389,309 S	1/1998	Shaw
D394,550 S	5/1998	Tanji

OTHER PUBLICATIONS

No Additional References—U.S. Patent Docs. Foreign Patent Docs,
or Non Patent Docs—Cited.*

* cited by examiner

Primary Examiner—Gary D. Watson

Assistant Examiner—Roselynn Cody

(74) *Attorney, Agent, or Firm*—Calfee, Halter & Griswold
LLP

(57) **CLAIM**

The ornamental design for a storage container, as shown and
described.

DESCRIPTION

FIG. 1 is a perspective view of a storage container of the new
design;

FIG. 2 is a right side view of the storage container of FIG. 1;

FIG. 3 is a left side view of the storage container of FIG. 1;

FIG. 4 is a top view of the storage container of FIG. 1;

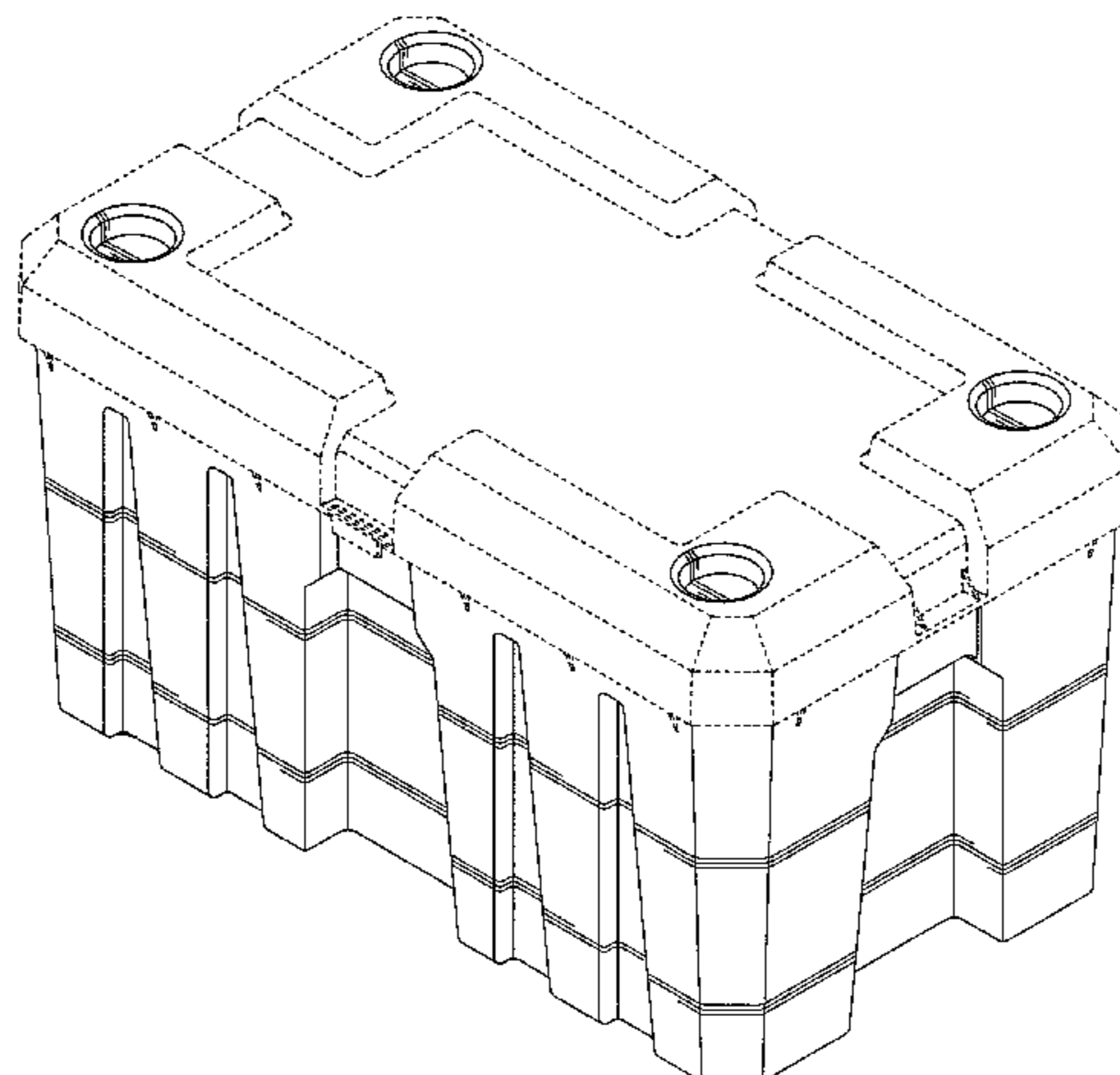
FIG. 5 is a front view of the storage container of FIG. 1;

FIG. 6 is a rear view of the storage container of FIG. 1; and,

FIG. 7 is a bottom view of the storage container of FIG. 1.

The portions of the Figures shown in phantom lines are not
part of the claimed design, but are illustrative of environment
only.

1 Claim, 6 Drawing Sheets



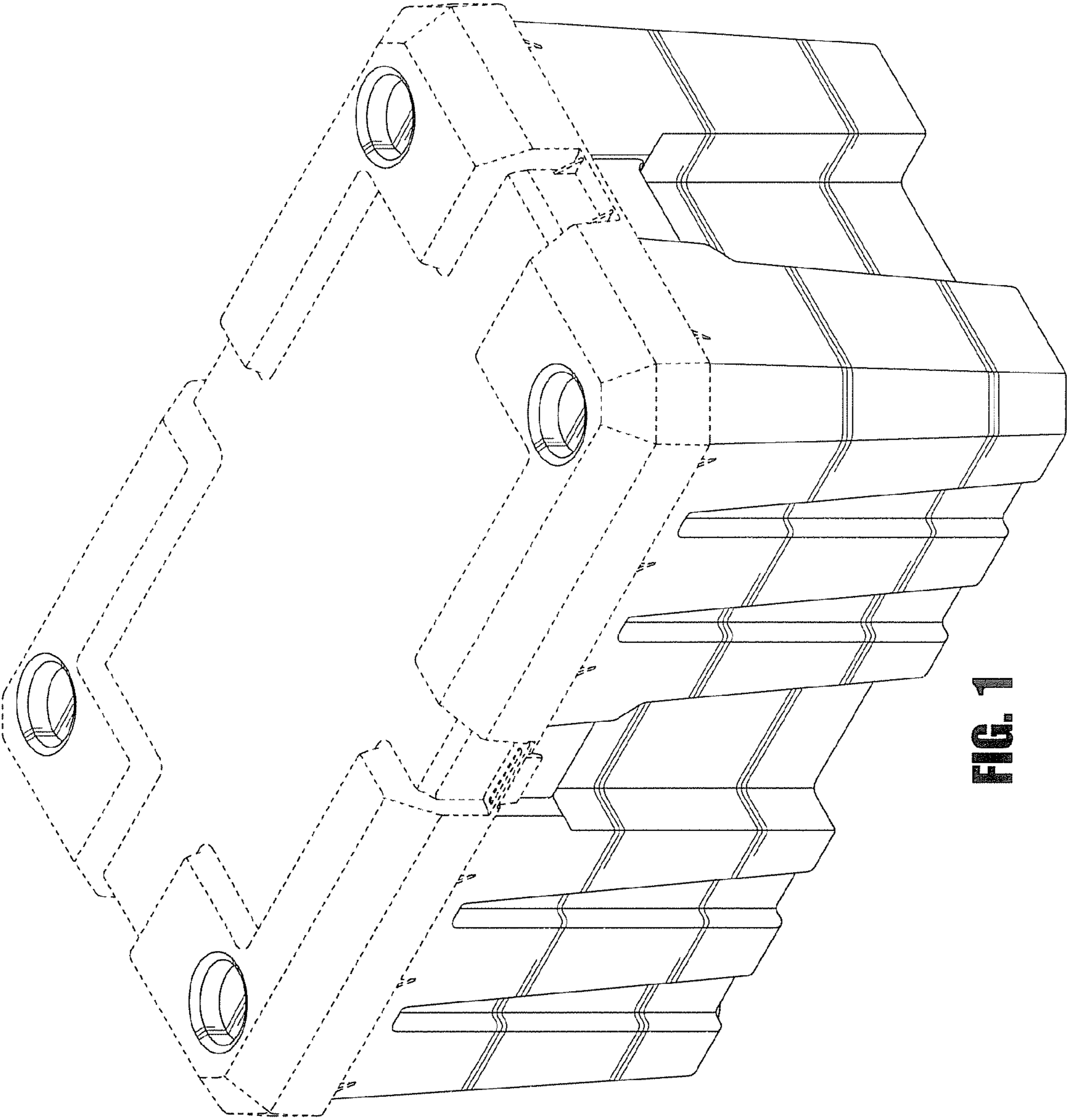


FIG. 1

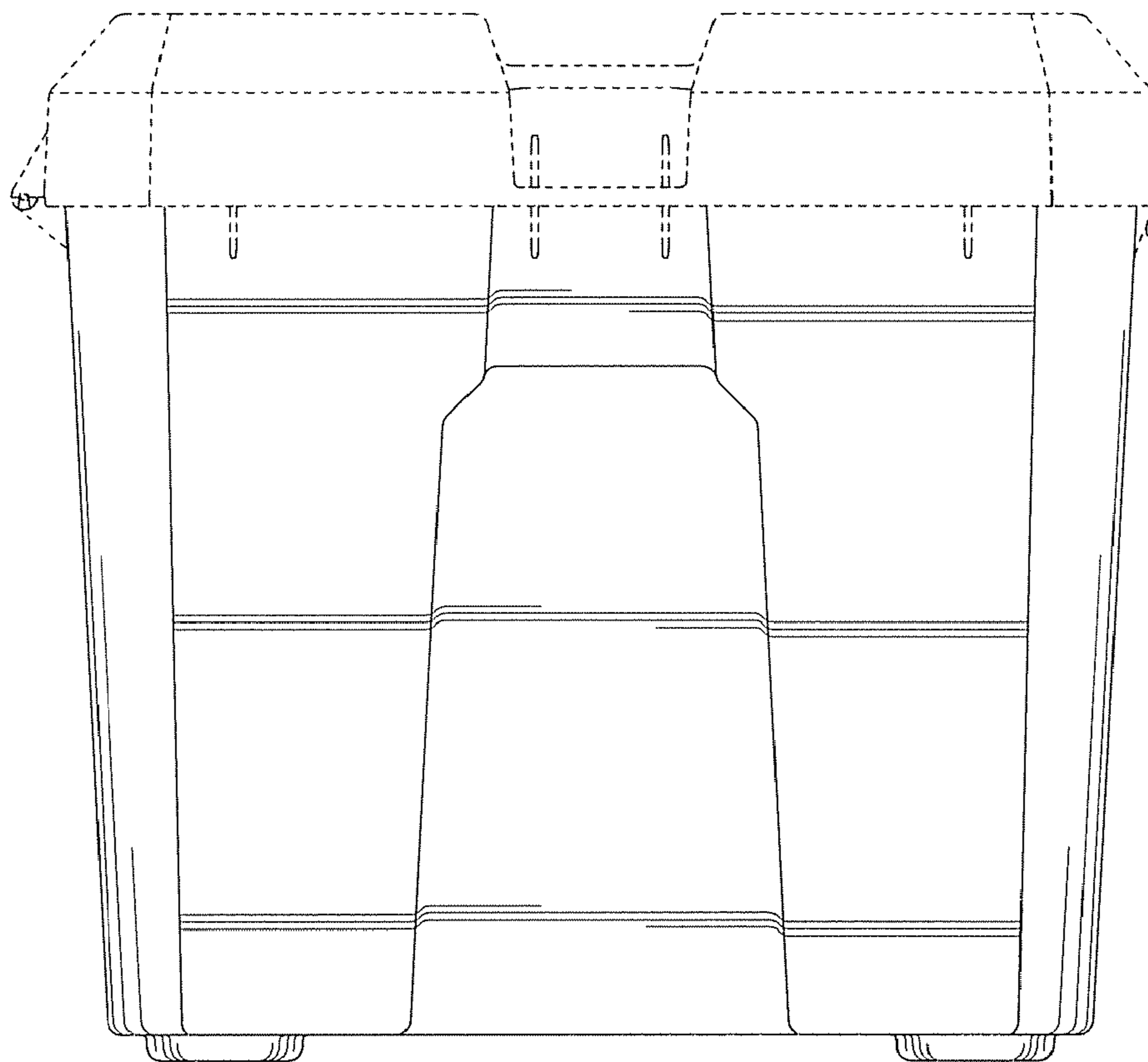


FIG. 2

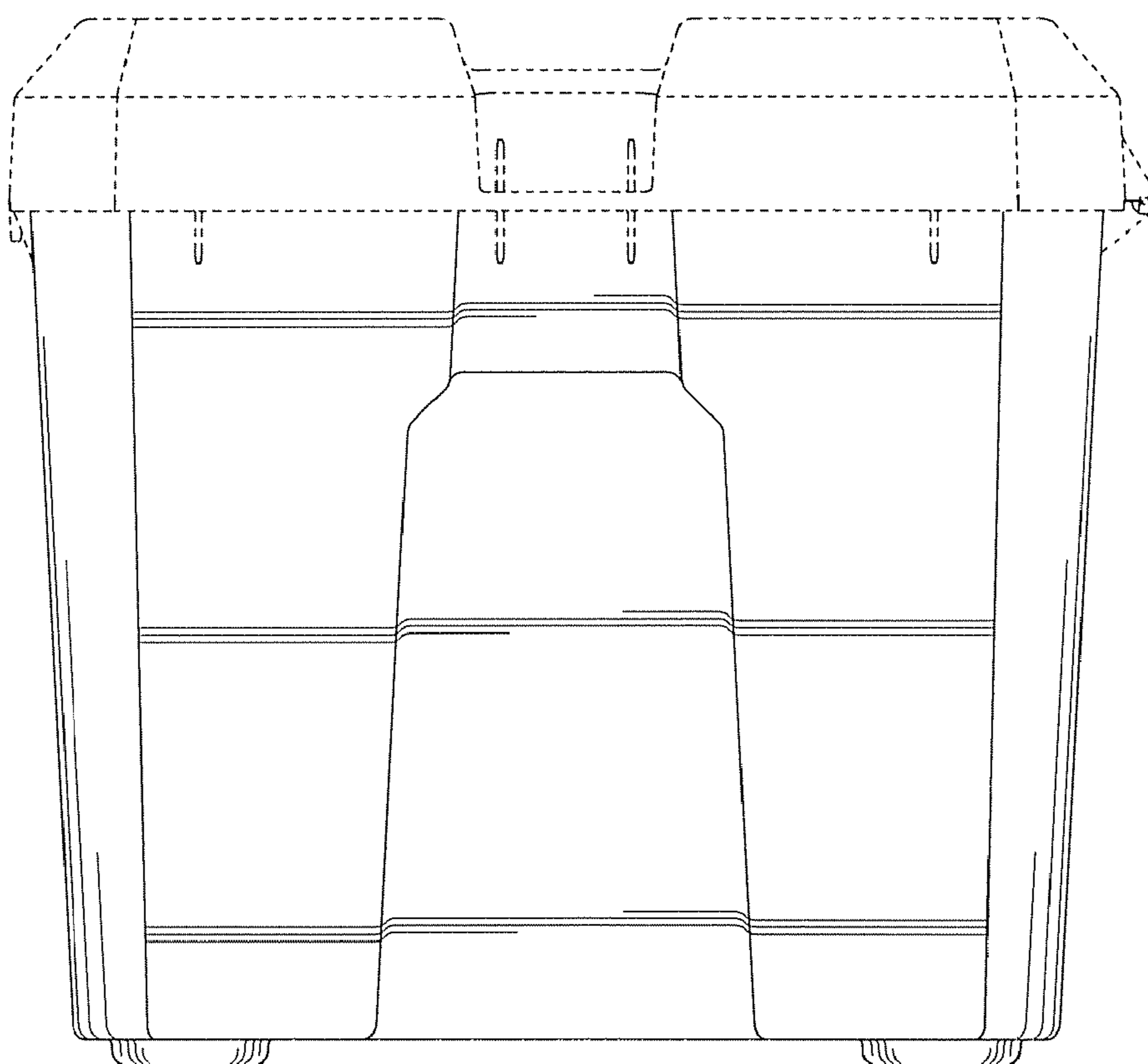


FIG. 3

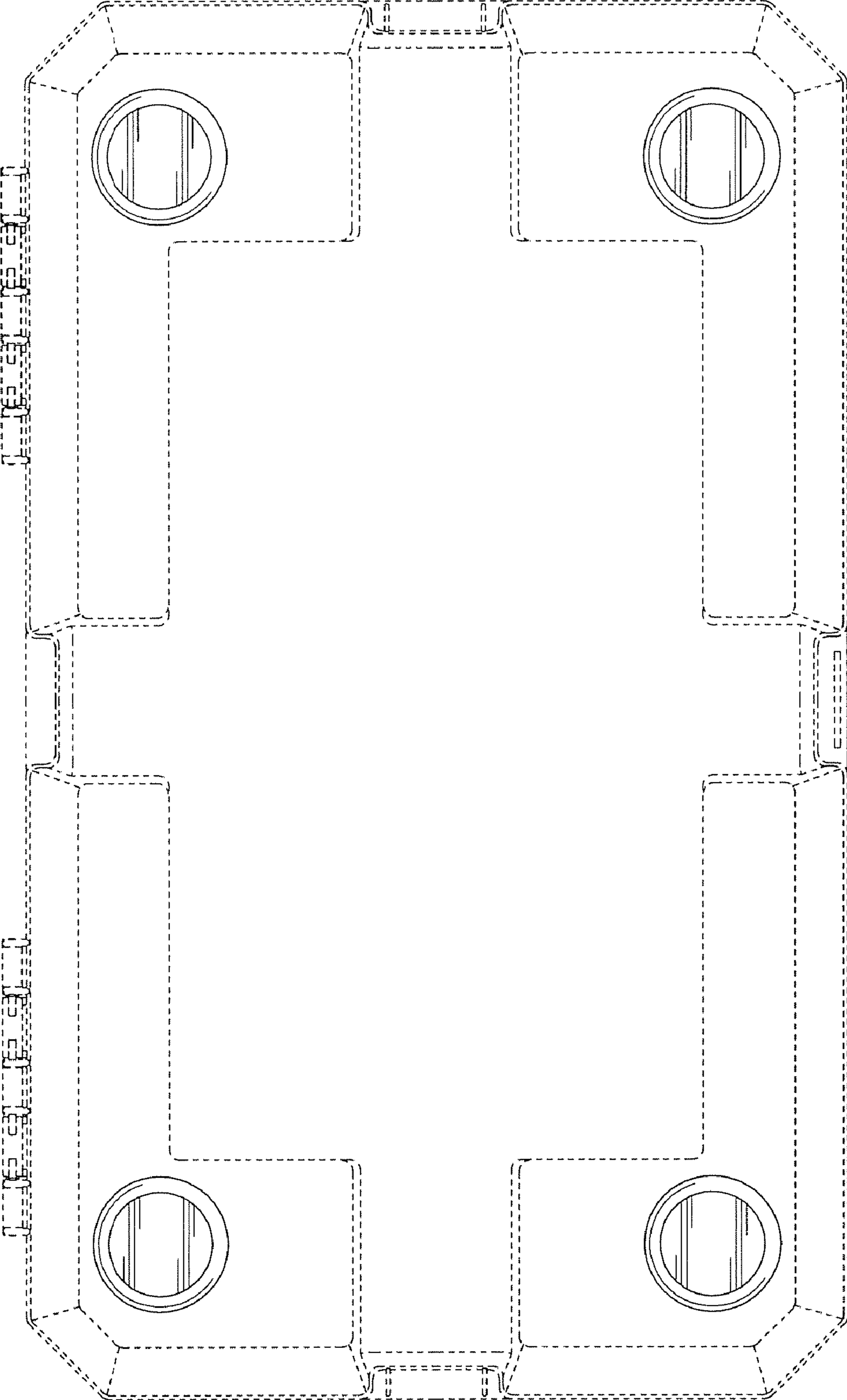


FIG. 4

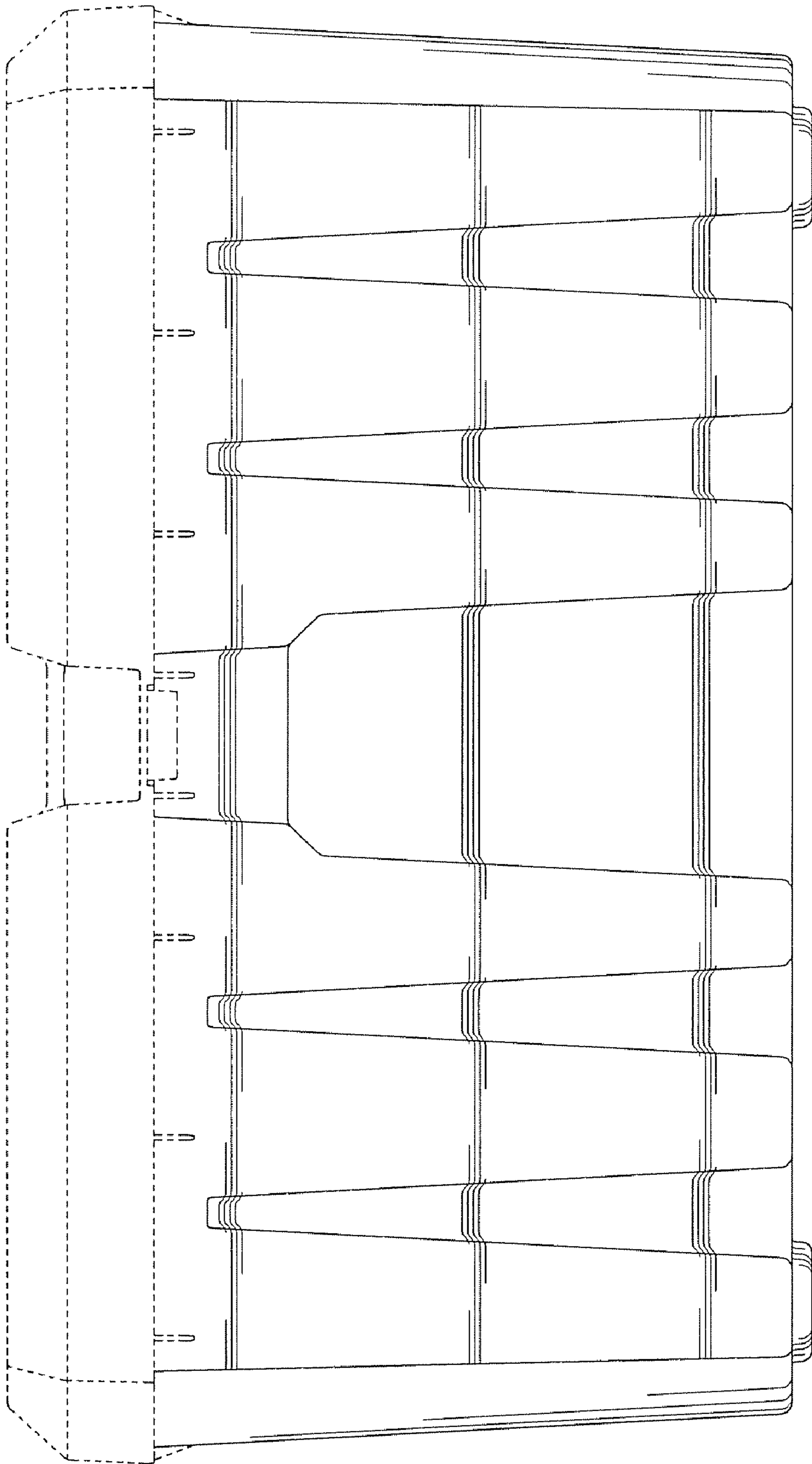


FIG. 5

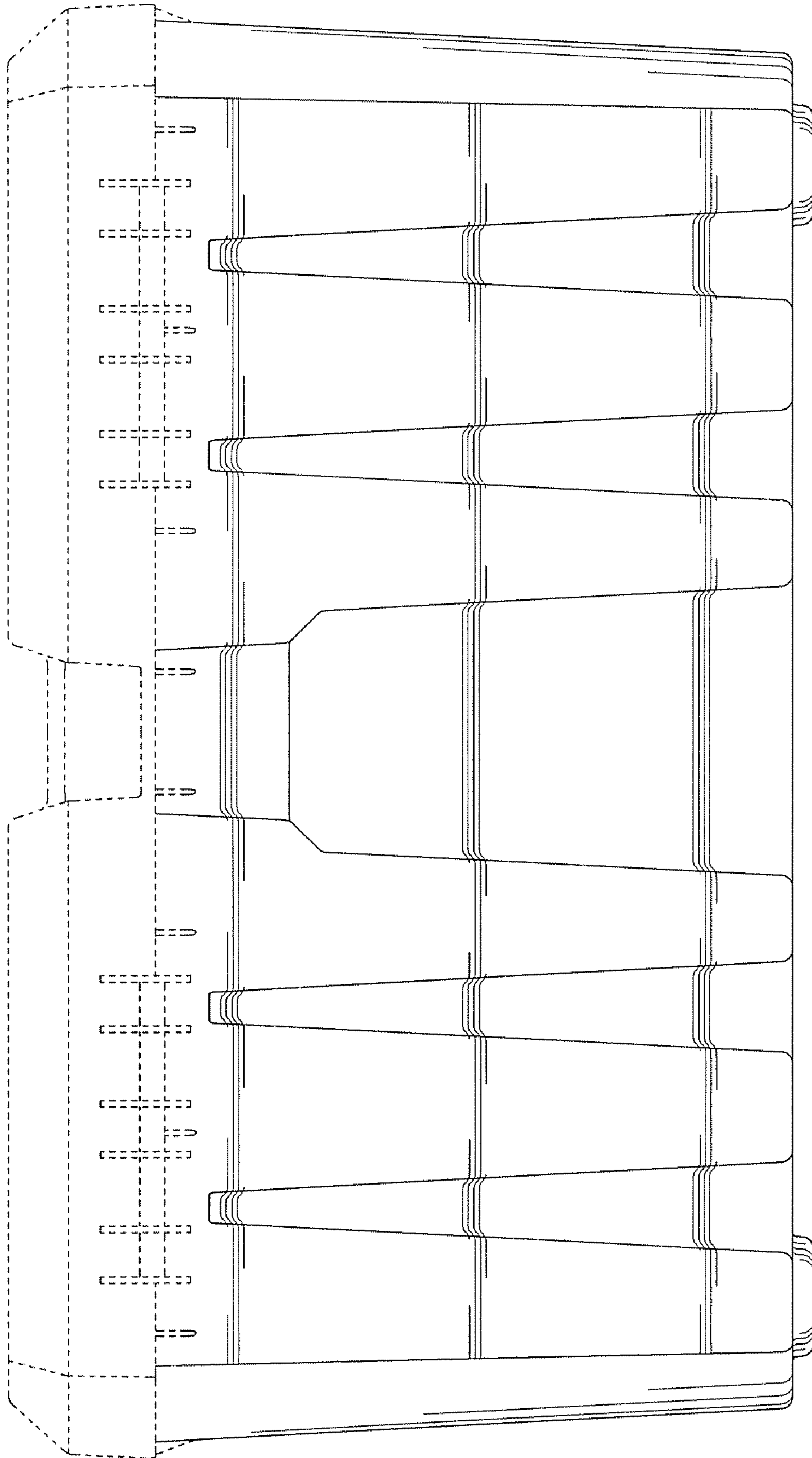


FIG. 6

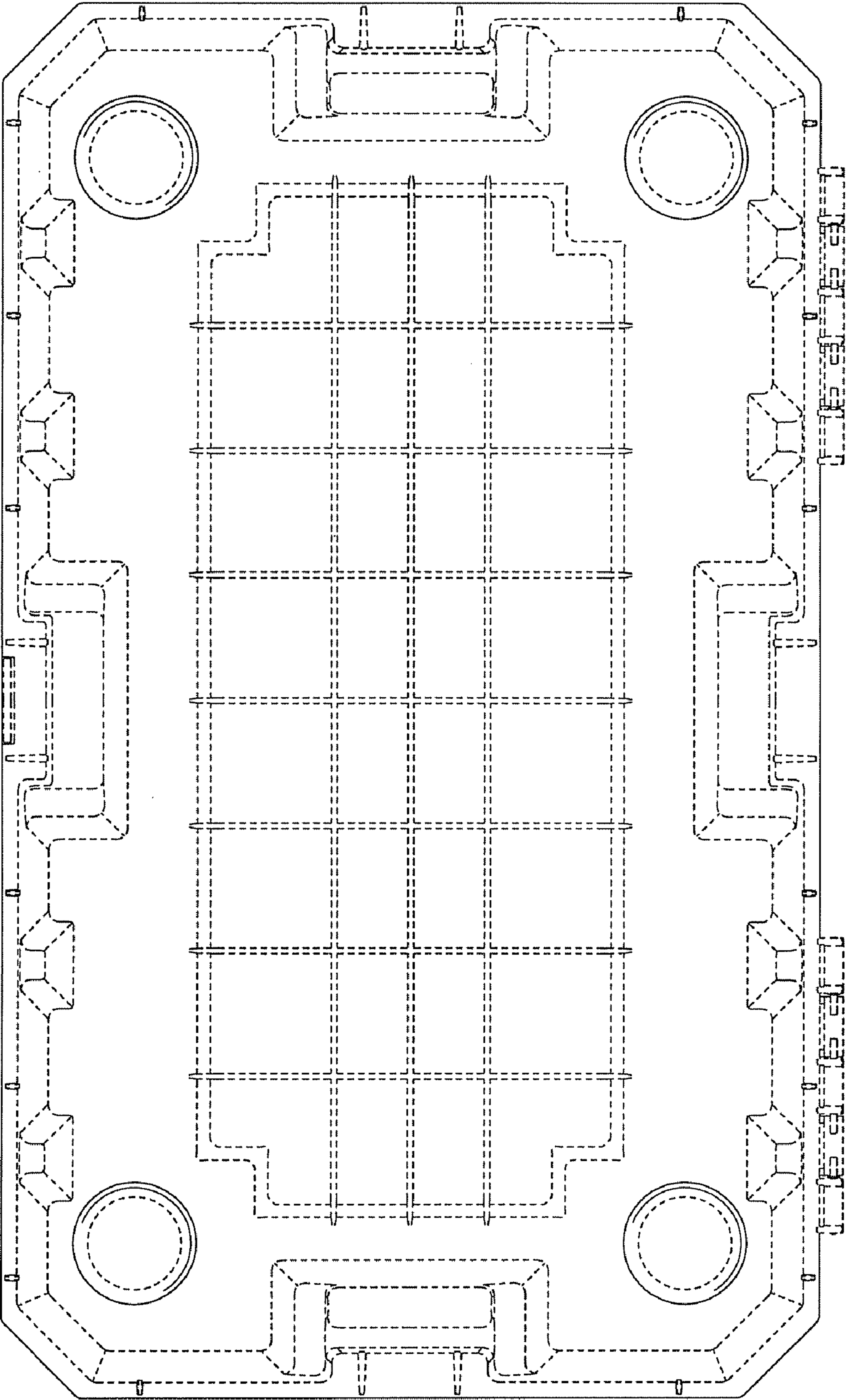


FIG. 7