



US00D578756S

(12) **United States Design Patent**
Huber

(10) **Patent No.:** **US D578,756 S**
(45) **Date of Patent:** **** Oct. 21, 2008**

(54) **BILFOLD WITH INTEGRATED NOTEPAD AND WRITING UTENSIL HOLDERS**

6,619,349 B2 9/2003 Gribovsky
D515,625 S 2/2006 Loo
D517,803 S * 3/2006 Brown D3/247
D523,473 S 6/2006 Regala
D543,359 S * 5/2007 Suppancig D3/299

(76) Inventor: **Bryan Huber**, 4789 Dawes St., San Diego, CA (US) 92109

(**) Term: **14 Years**

* cited by examiner

(21) Appl. No.: **29/280,966**

Primary Examiner—Holly H Baynham
(74) *Attorney, Agent, or Firm*—G. L. Loomis & Assoc., Inc.; Gary L. Loomis

(22) Filed: **Jun. 11, 2007**

(51) **LOC (8) Cl.** **03-01**

(57) **CLAIM**

(52) **U.S. Cl.** **D3/249**

The ornamental design for a billfold with integrated notepad and writing utensil holders, as shown and described.

(58) **Field of Classification Search** D3/249,
D3/217, 222, 225, 247, 250; 150/113, 132,
150/137–141, 143, 147, 149

DESCRIPTION

See application file for complete search history.

FIG. 1 is a perspective view of the billfold in a partially open position (the broken lines indicating folded paper money, a notepad and a writing utensil are illustrative of the environment only and form no part of the claimed design);

(56) **References Cited**

U.S. PATENT DOCUMENTS

2,113,037	A *	4/1938	St Thomas et al.	150/139
D136,648	S *	11/1943	Schwalbe	D3/249
2,784,757	A *	3/1957	Bosca et al.	150/138
3,446,260	A	5/1969	Osher	
3,454,069	A	7/1969	Machler	
D241,381	S	9/1976	Ganier	
4,004,690	A *	1/1977	Giarritta	206/425
4,540,034	A	9/1985	Young	
D311,220	S	10/1990	Kam	
D433,565	S *	11/2000	Kojoori	D3/249
D436,252	S *	1/2001	Gribovsky	D3/249
D467,420	S *	12/2002	Bodony et al.	D3/249

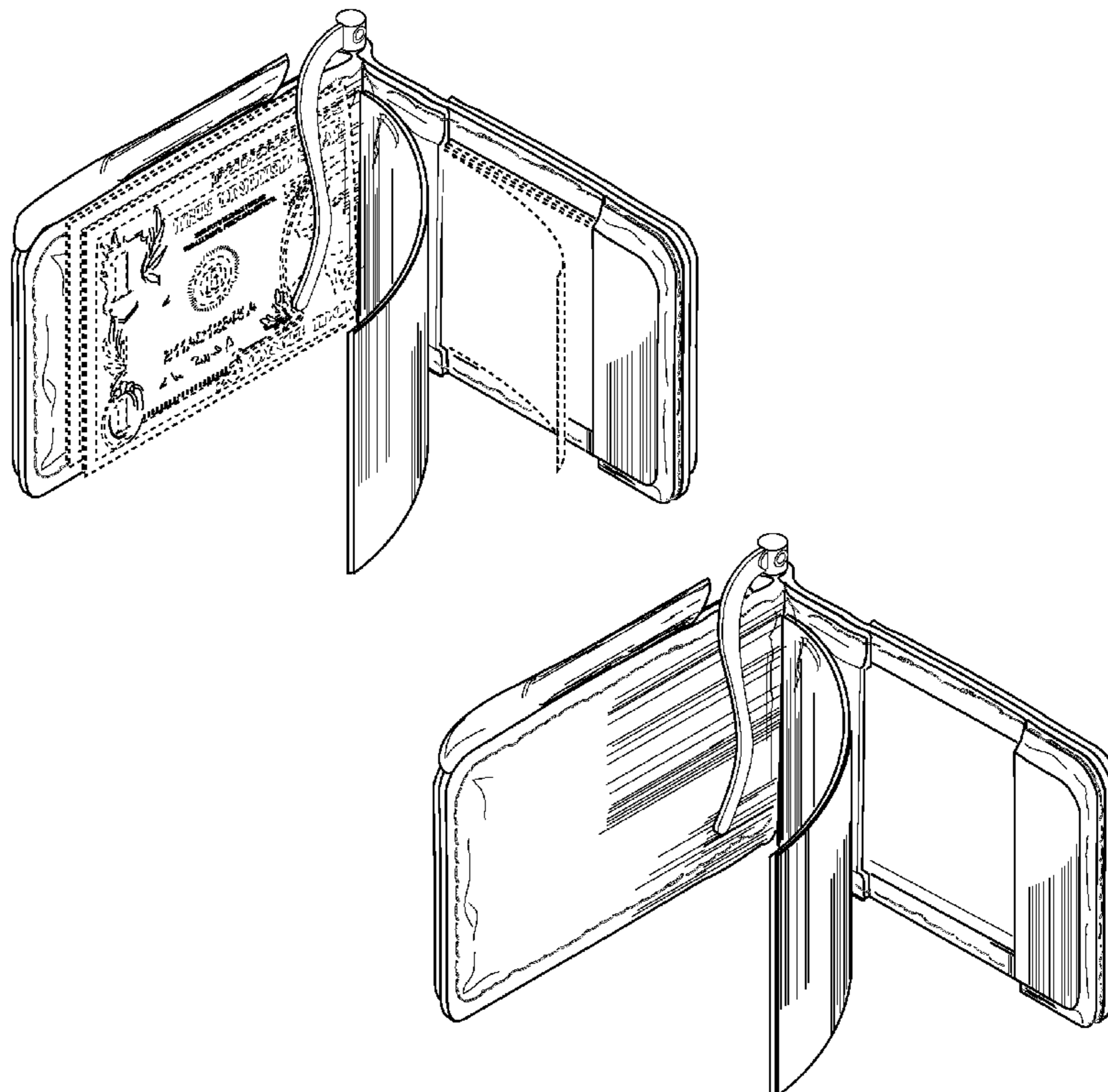
FIG. 2 is a perspective view of the empty billfold in a partially open position;

FIG. 3 is a frontal orthogonal view of the billfold in a closed position;

FIG. 4 is a rear orthogonal view of the billfold in a closed position; and,

FIG. 5 is a left side orthogonal view of the billfold in a closed position.

1 Claim, 2 Drawing Sheets



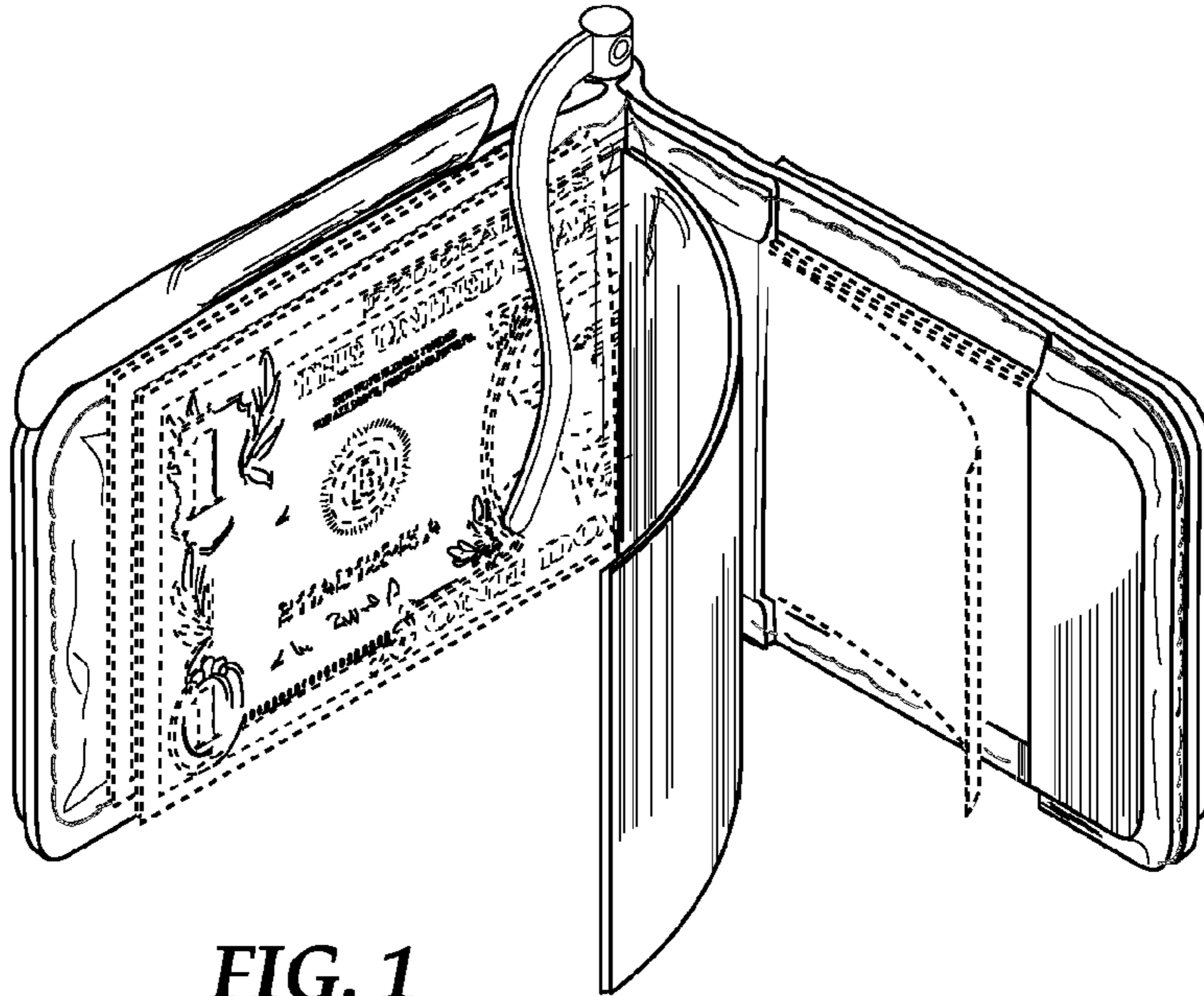


FIG. 1

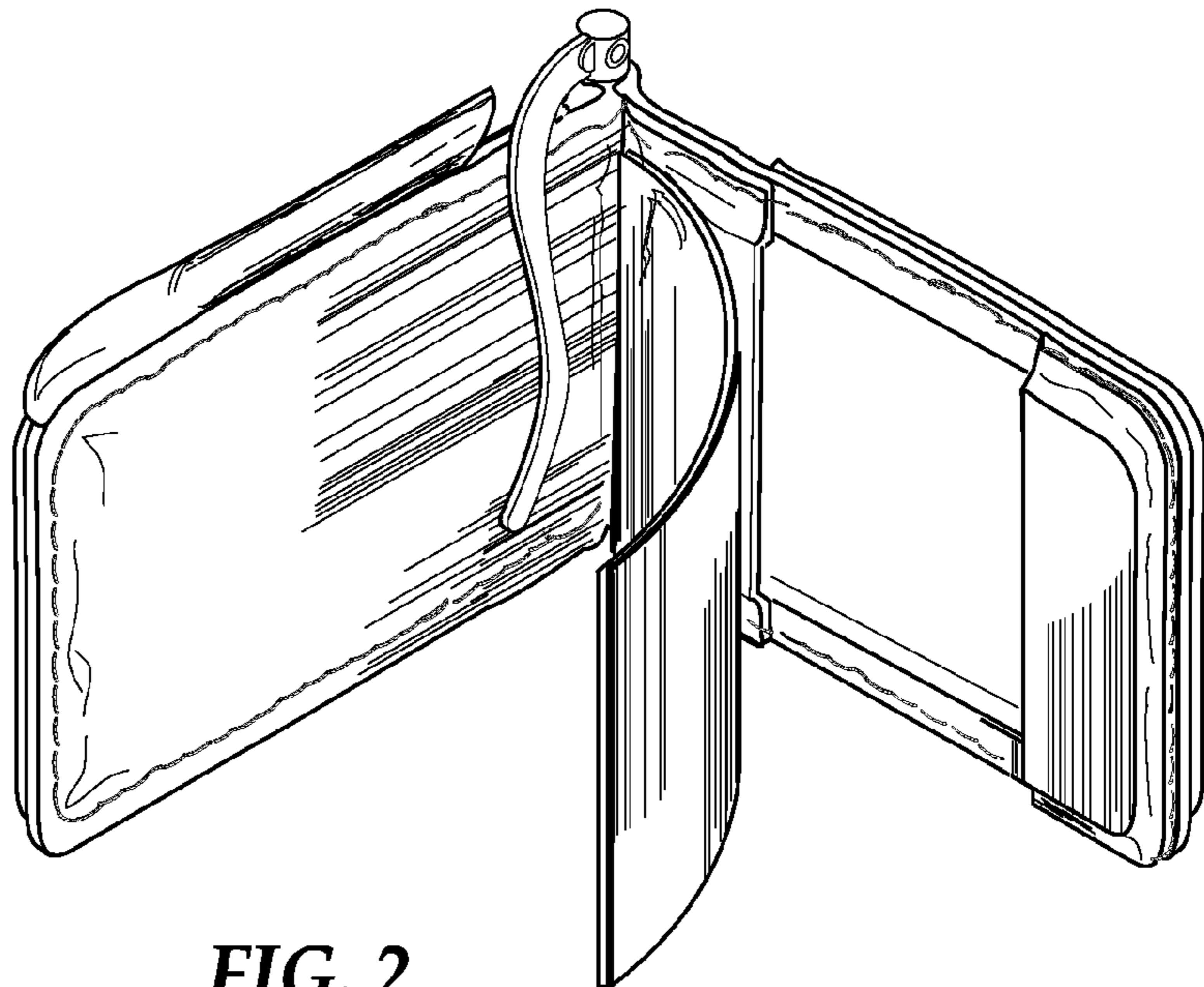


FIG. 2

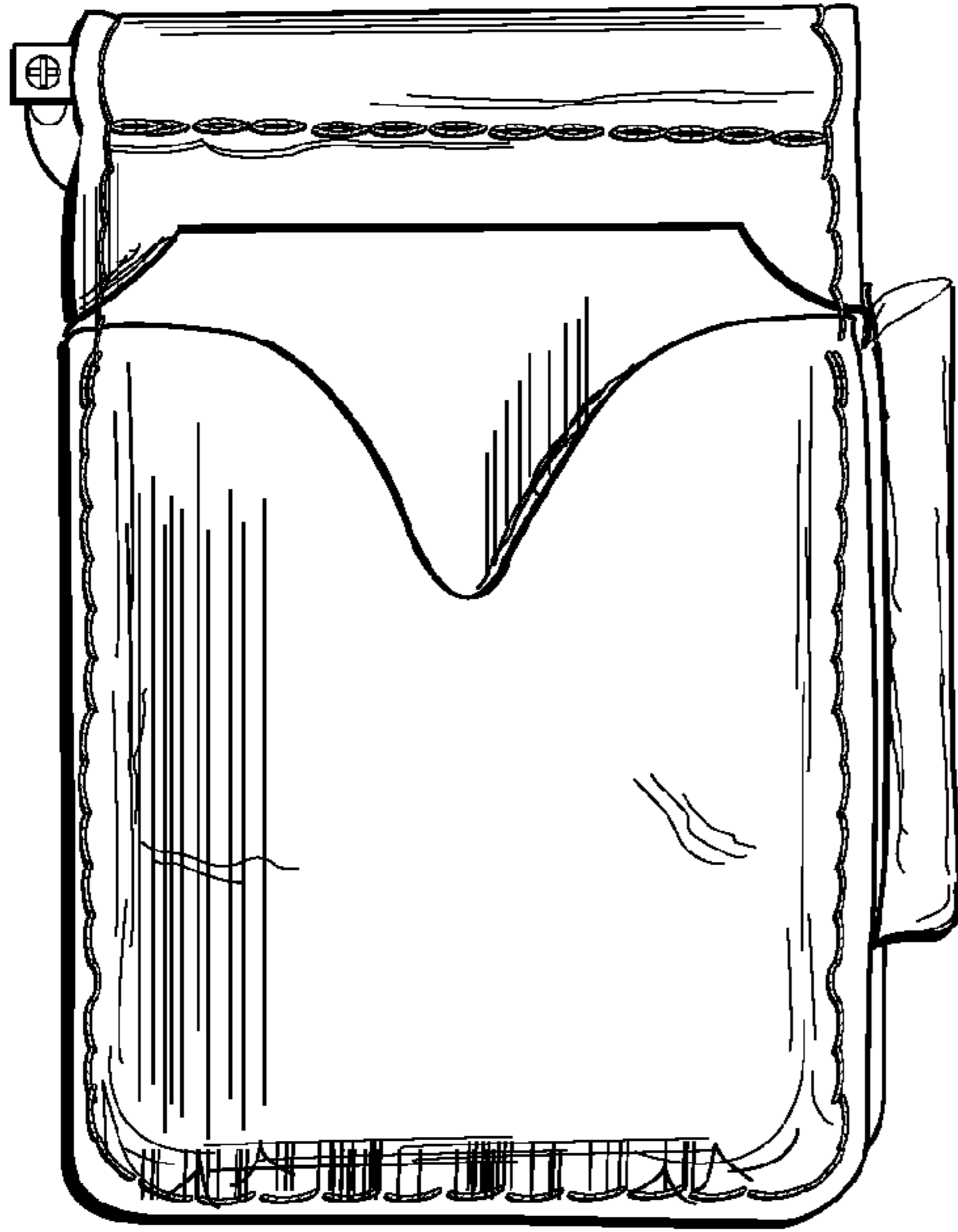


FIG. 3

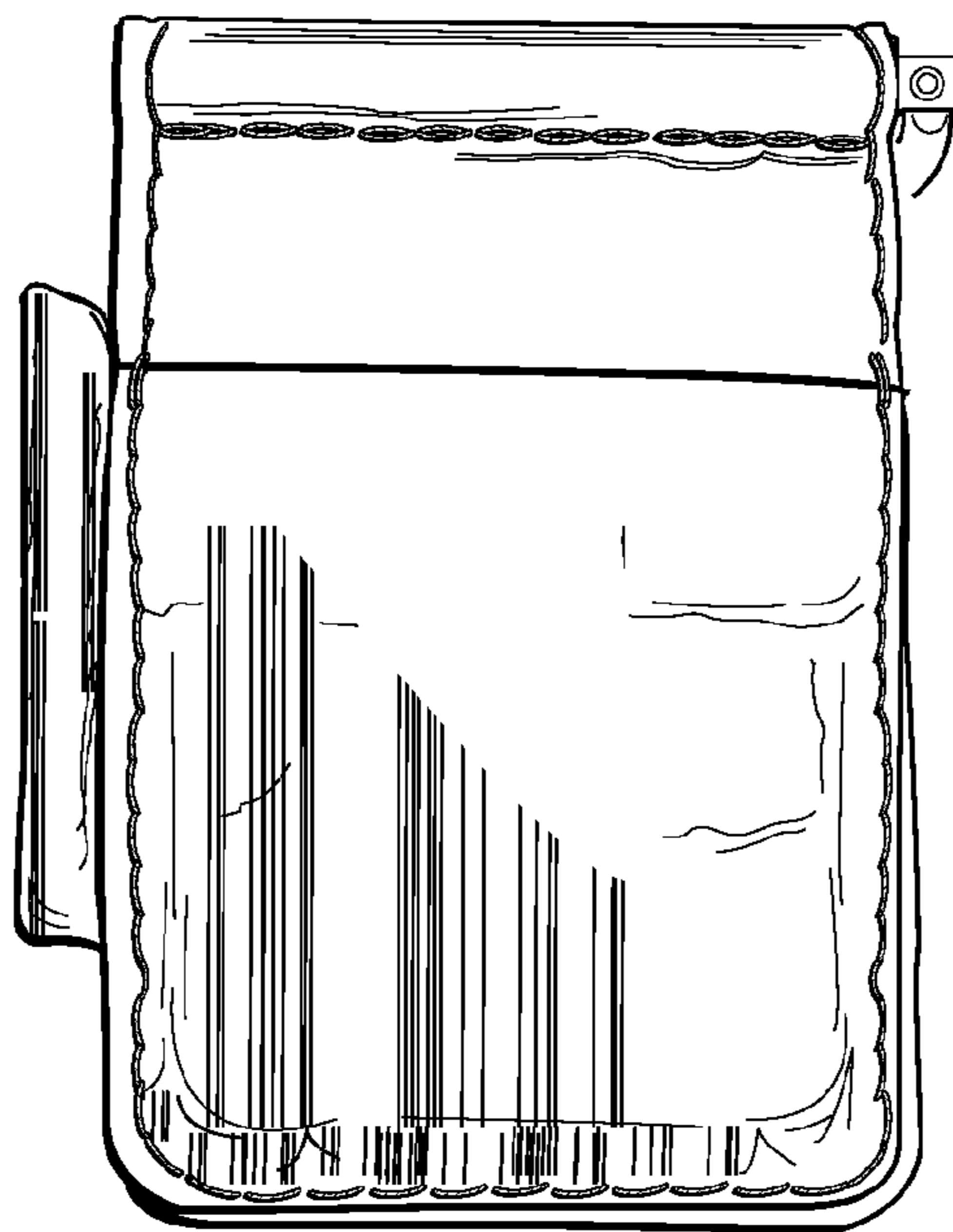


FIG. 4



FIG. 5