



US00D578751S

(12) **United States Design Patent**
Holtzclaw, Jr.

(10) **Patent No.:** **US D578,751 S**
(45) **Date of Patent:** **** Oct. 21, 2008**

(54) **COMBINED HUNTING BELT AND BANDOLIER**

(75) Inventor: **James O. Holtzclaw, Jr.**, Broomfield, CO (US)

(73) Assignee: **Hunter Company, Inc.**, Westminster, CO (US)

(**) Term: **14 Years**

(21) Appl. No.: **29/297,738**

(22) Filed: **Nov. 16, 2007**

(51) **LOC (8) Cl.** **03-01**

(52) **U.S. Cl.** **D3/224**

(58) **Field of Classification Search** D3/224,
D3/221, 226, 215, 228, 222-223, 262; 224/602,
224/250, 603, 913-914, 931; D2/624-628;
2/311, 338

See application file for complete search history.

(56) **References Cited**

U.S. PATENT DOCUMENTS

253,952 A	2/1882	Sternheimer	
860,395 A	7/1907	Lindsey	
1,085,451 A	1/1914	Lynch	
1,227,266 A	5/1917	Himelspach	
1,421,451 A	7/1922	Garberding	
2,575,952 A	11/1951	Goff	
2,681,453 A	6/1954	Lane	
2,916,742 A	12/1959	Sobel	
D230,441 S	2/1974	Moyer	
D252,695 S *	8/1979	Munz D3/224

4,545,370 A	10/1985	Welsh	
D336,550 S	6/1993	Bishop	
5,826,280 A	10/1998	Bradley	
5,873,133 A	2/1999	Jurga et al.	
D408,116 S *	4/1999	Gale D2/627
D412,243 S	7/1999	Shkreli	
5,983,403 A	11/1999	Neeley	
D482,194 S *	11/2003	Seeler et al. D3/224
2003/0233700 A1	12/2003	Cress	

* cited by examiner

Primary Examiner—Catherine R Oliver
(74) *Attorney, Agent, or Firm*—Philip O. Post

(57) **CLAIM**

The ornamental design for a combined hunting belt and bandolier, substantially as shown and described.

DESCRIPTION

FIG. 1 is a front perspective view of an unfastened combined hunting belt and bandolier showing my new design;

FIG. 2 is a front perspective view thereof showing the combined hunting belt and bandolier fastened.

FIG. 3 is a frontal elevational view thereof;

FIG. 4 is a rear elevational view thereof;

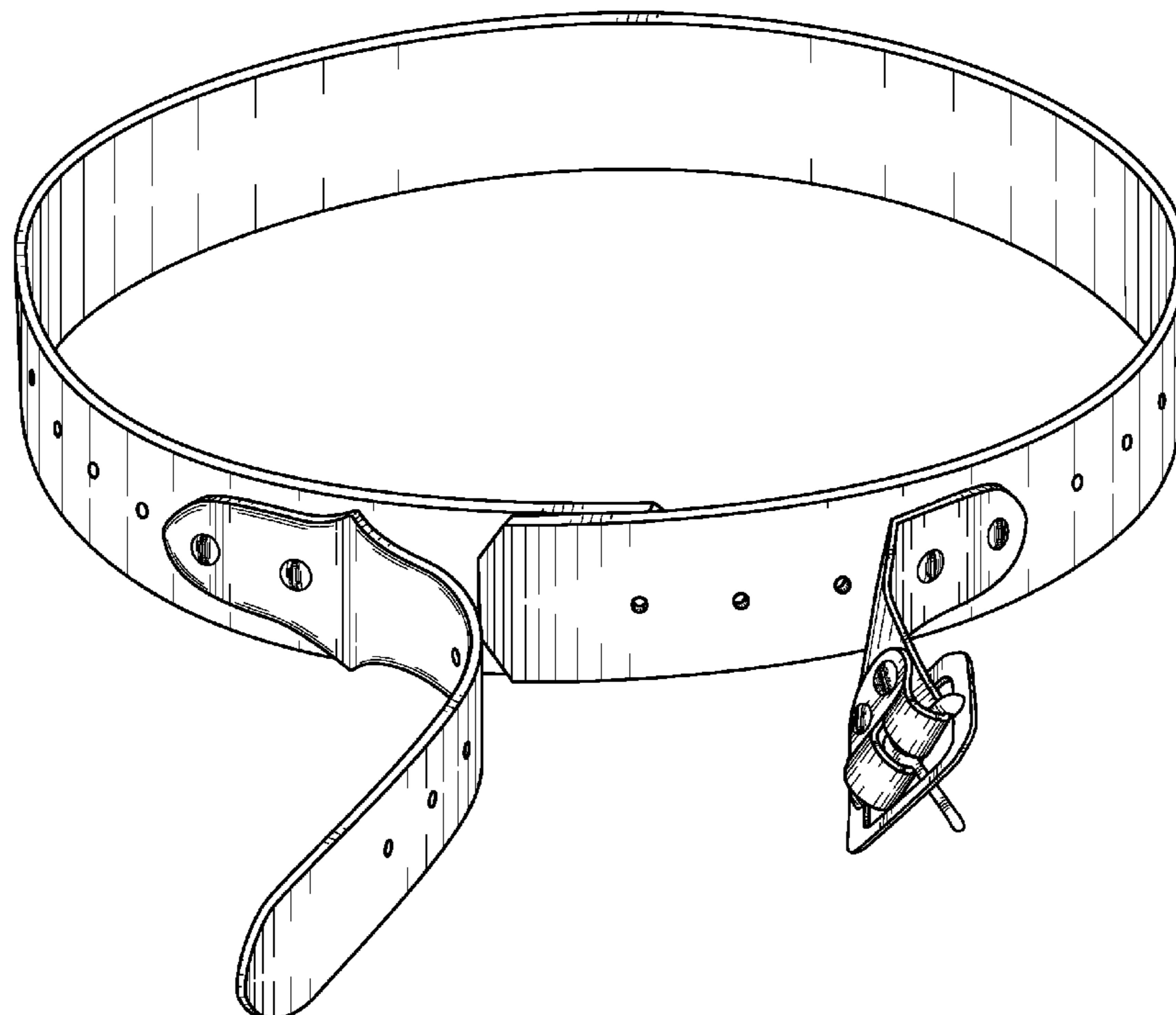
FIG. 5 is a top plan view thereof;

FIG. 6 is a bottom plan view thereof;

FIG. 7 is a left side elevational view thereof; and,

FIG. 8 is a right side elevational view thereof.

1 Claim, 6 Drawing Sheets



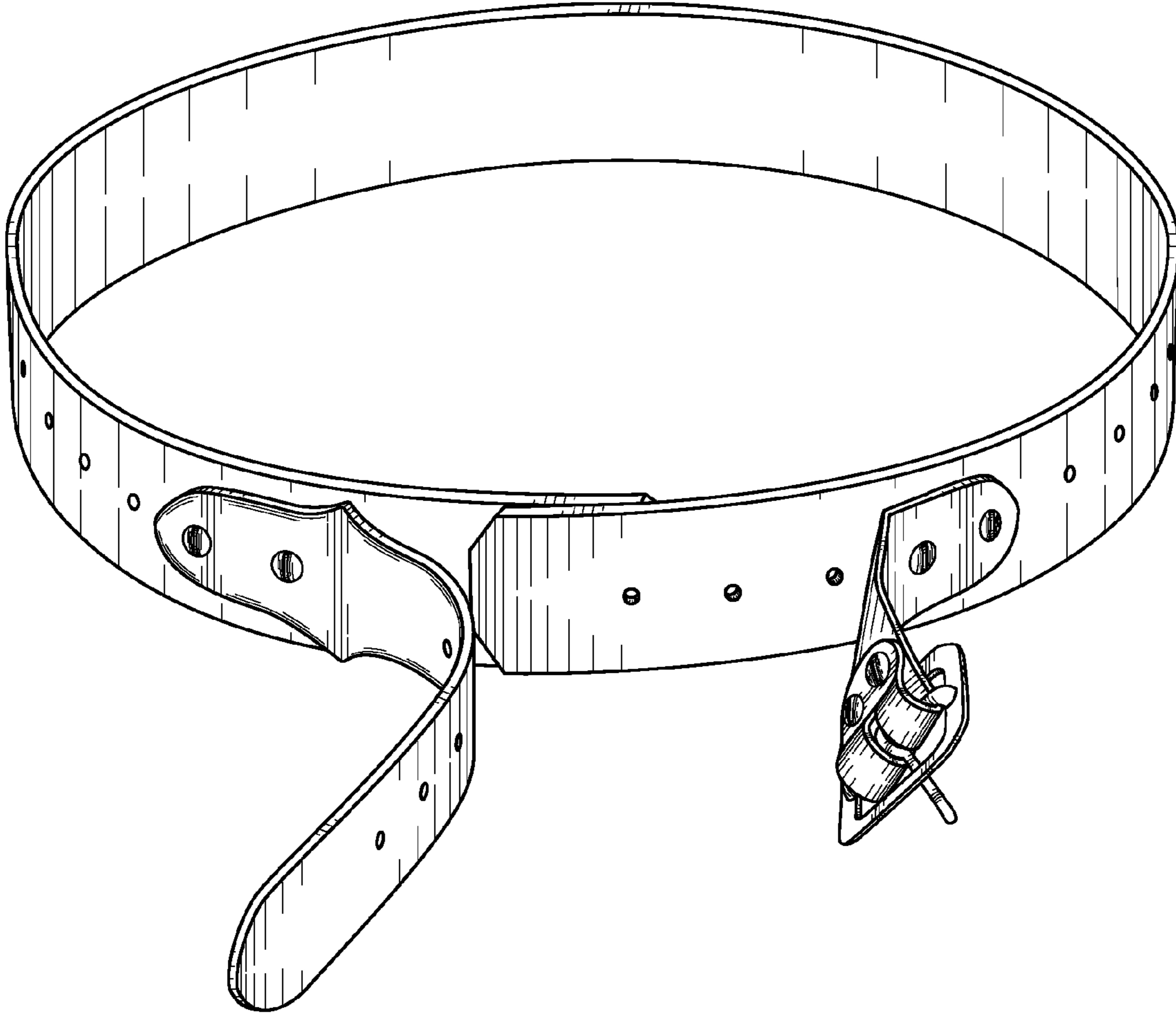


FIG. 1

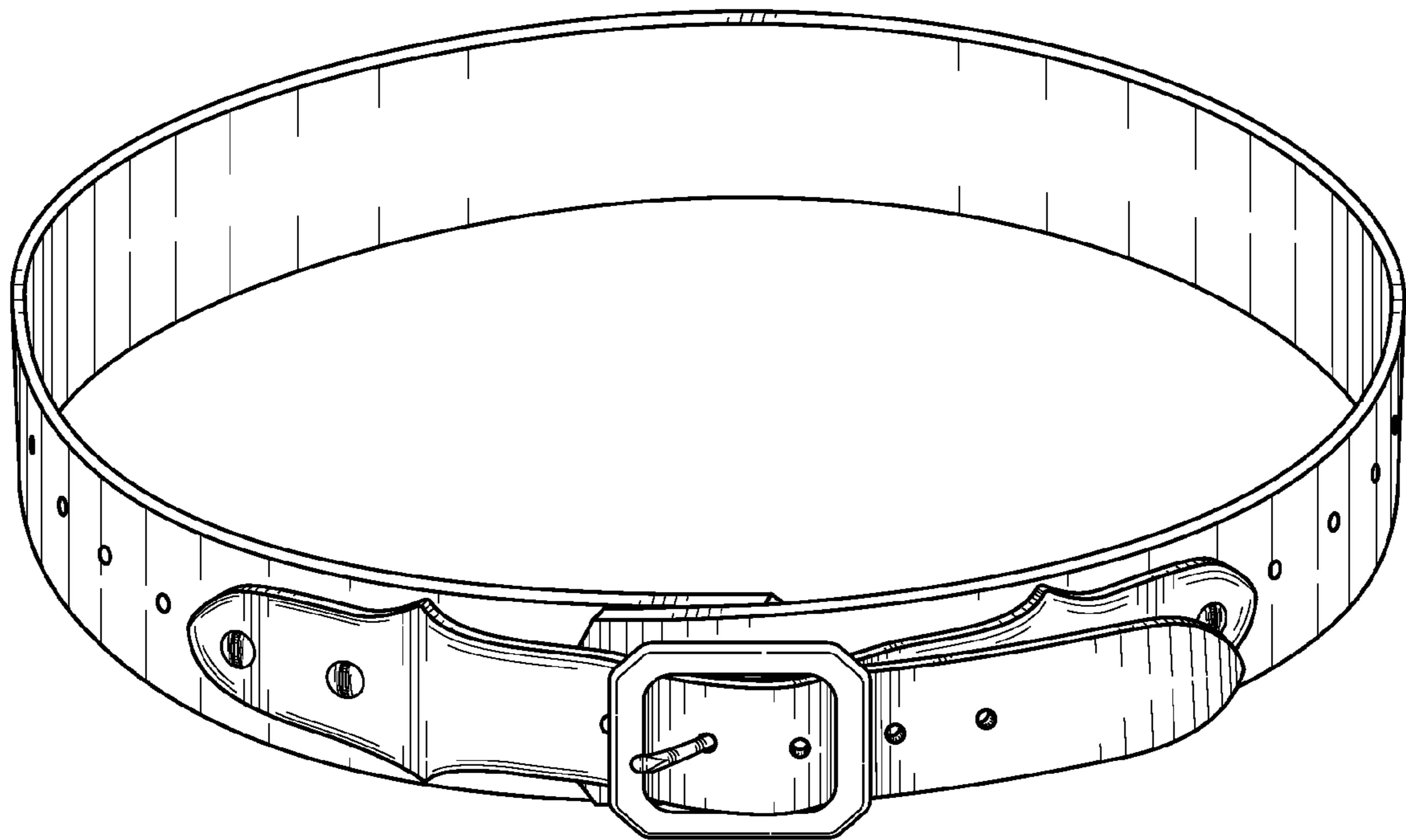


FIG. 2

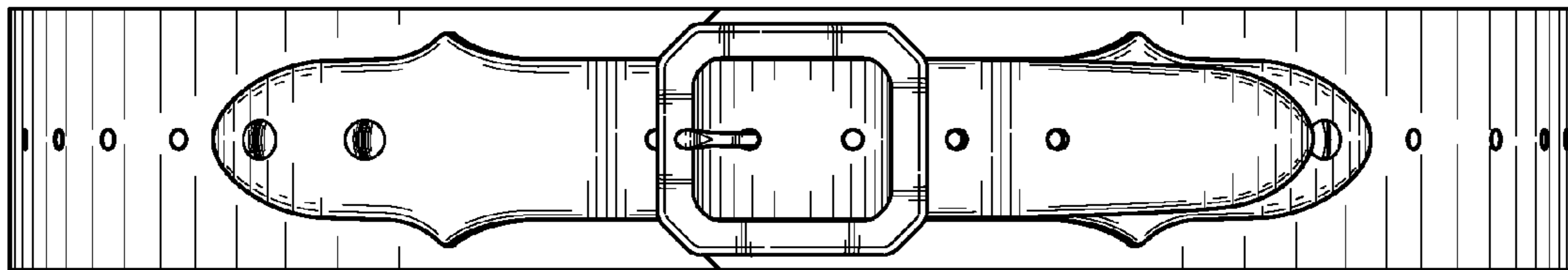


FIG. 3

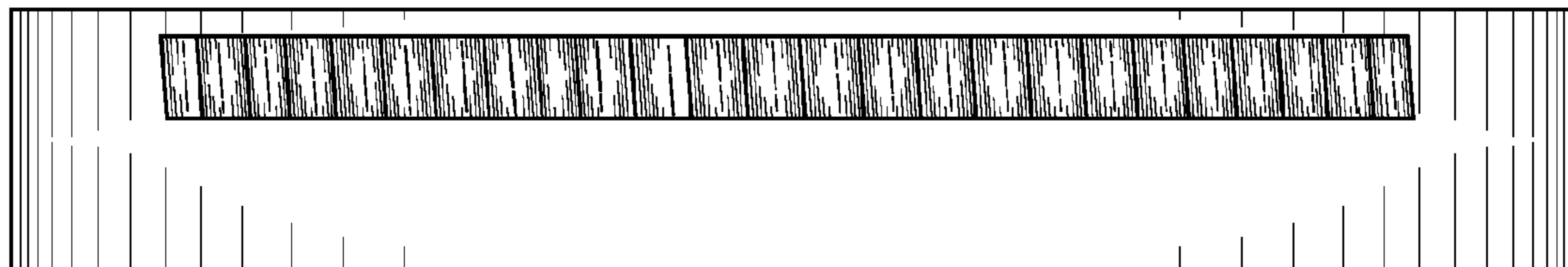


FIG. 4



FIG. 5



FIG. 6

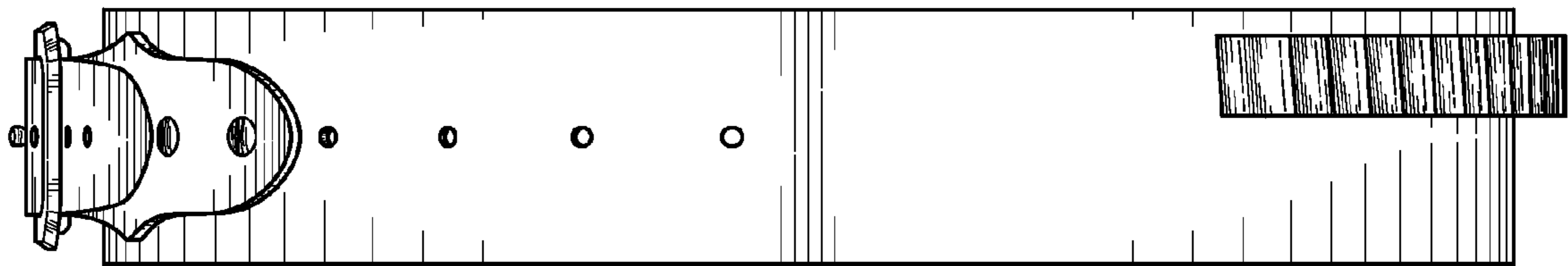


FIG. 7

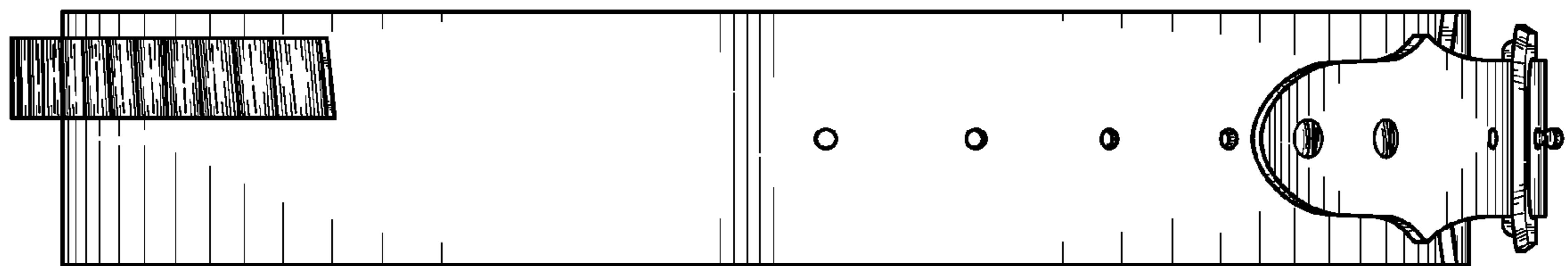


FIG. 8