



US00D578749S

(12) **United States Design Patent**
Ng

(10) **Patent No.:** **US D578,749 S**
(45) **Date of Patent:** **** Oct. 21, 2008**

(54) **SQUARE BASE**

D498,660 S * 11/2004 Neider et al. D8/354
D516,297 S * 3/2006 Smith et al. D3/310
D519,811 S * 5/2006 Lin D8/71

(76) Inventor: **Kwong Yung Ng**, Flat 13, 5th Floor,
Technology Park, No. 18 On Lai Street,
Shatin, New Territories, Hong Kong
(CN)

* cited by examiner

Primary Examiner—Holly H Baynham
(74) *Attorney, Agent, or Firm*—Jeffrey Furr; Furr Law Firm

(**) Term: **14 Years**

(21) Appl. No.: **29/276,437**

(57) **CLAIM**

(22) Filed: **Jan. 26, 2007**

The ornamental design for a square base, as shown.

(51) **LOC (8) Cl.** **03-03**

DESCRIPTION

(52) **U.S. Cl.** **D3/10**

(58) **Field of Classification Search** D8/354;
D3/10; 248/519, 523, 524; 135/20.1–20.2,
135/15–16

FIG. 1 shows a front view of the square base;
FIG. 2 shows a left side view of the square base thereof;
FIG. 3 displays a right side view of the square base thereof;
FIG. 4 shows a top view of the square base thereof;
FIG. 5 shows a back view of the square base thereof;
FIG. 6 shows and describes a bottom view with the handle in
the base of the square base thereof;
FIG. 7 shows and describes a bottom view with the handle
extended from the base of the square base thereof; and,
FIG. 8 shows and describes a front side perspective view of
the square base thereof.

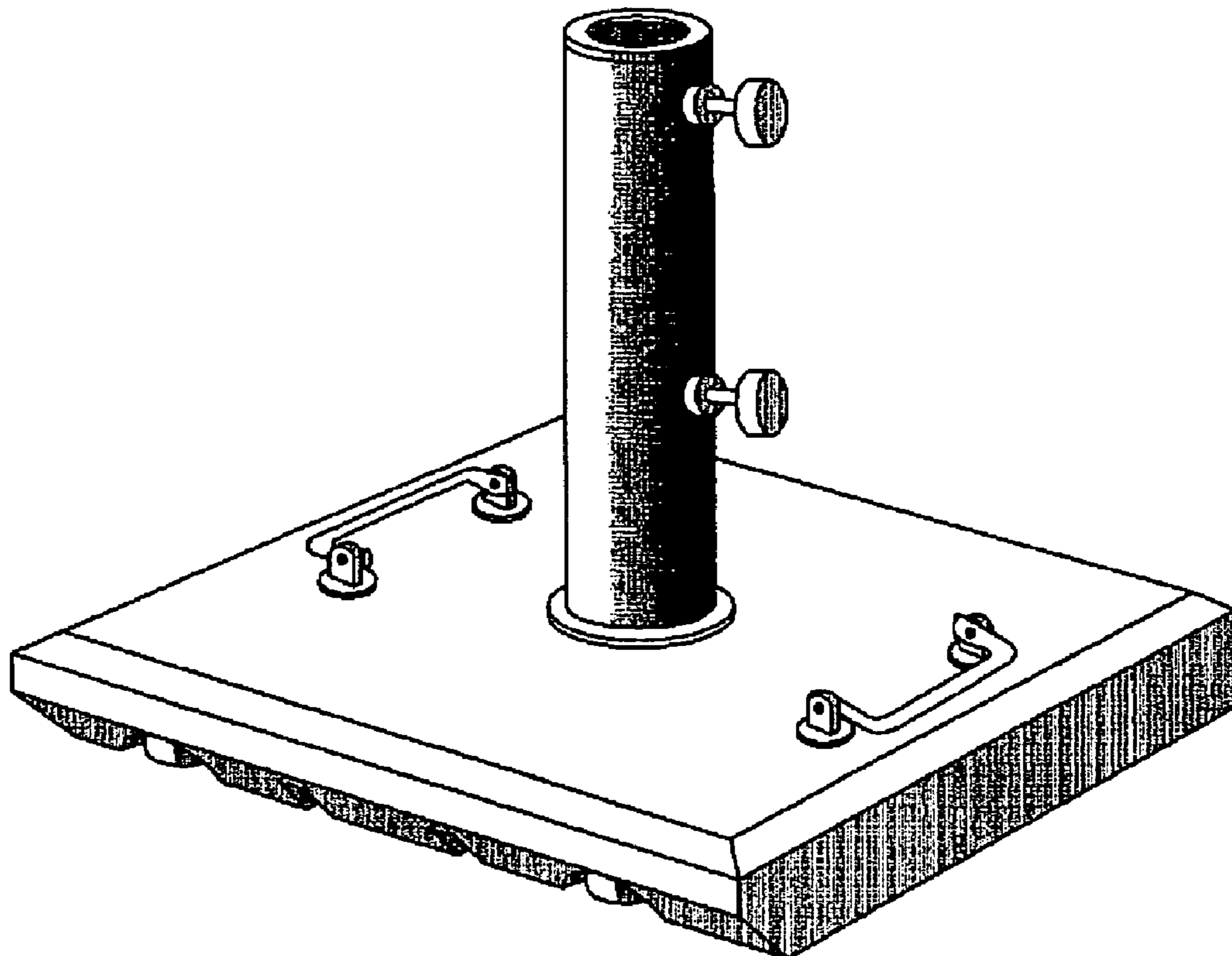
See application file for complete search history.

(56) **References Cited**

U.S. PATENT DOCUMENTS

6,113,054 A * 9/2000 Ma 248/523
D433,615 S * 11/2000 Neider et al. D8/354
6,196,242 B1 * 3/2001 Xu 135/20.1
D463,250 S * 9/2002 Valentz D8/349
6,565,060 B2 * 5/2003 Li et al. 248/522
D485,055 S * 1/2004 Taylor D3/10
D498,133 S * 11/2004 Sargent D8/354

1 Claim, 8 Drawing Sheets



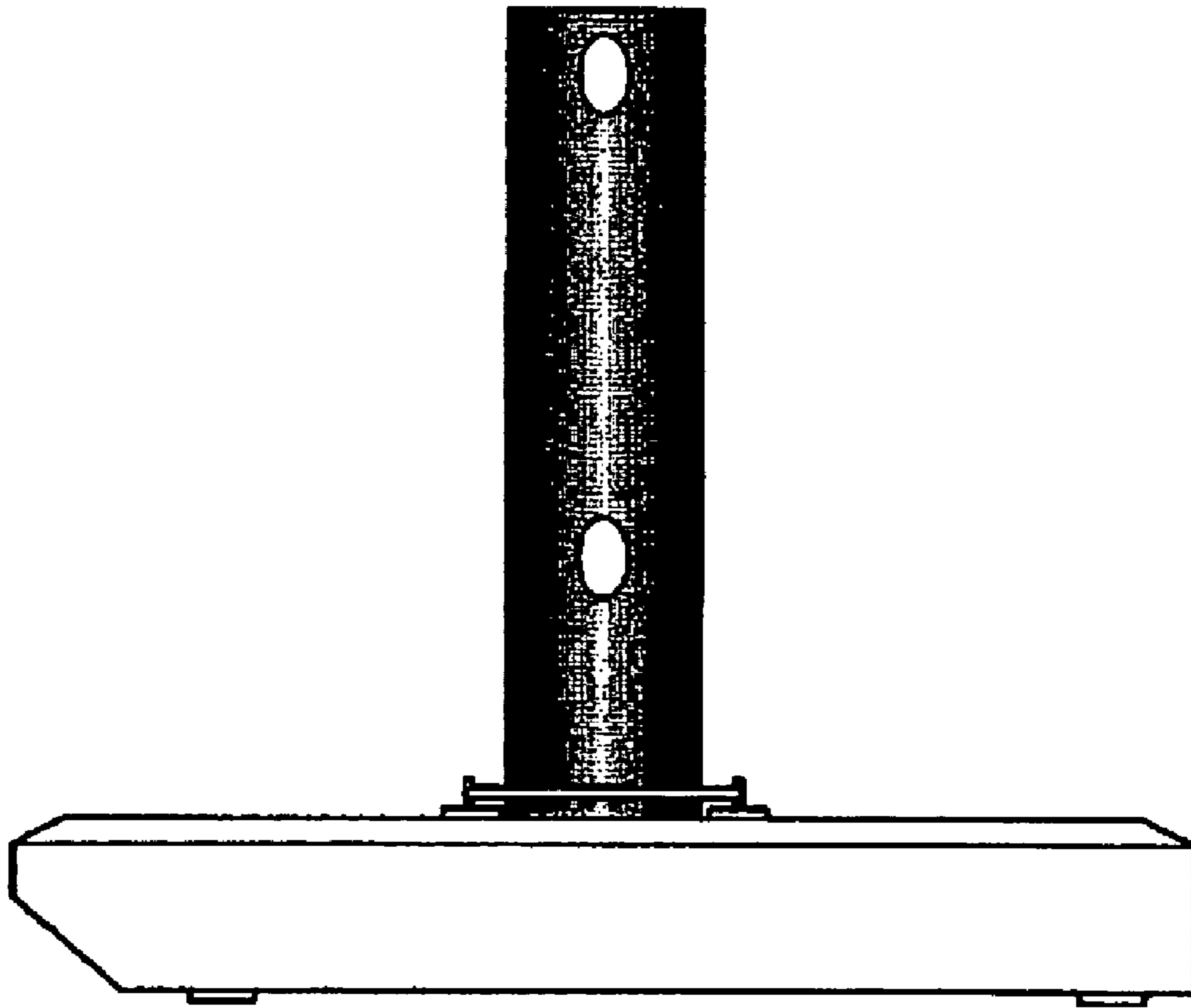


Figure 1

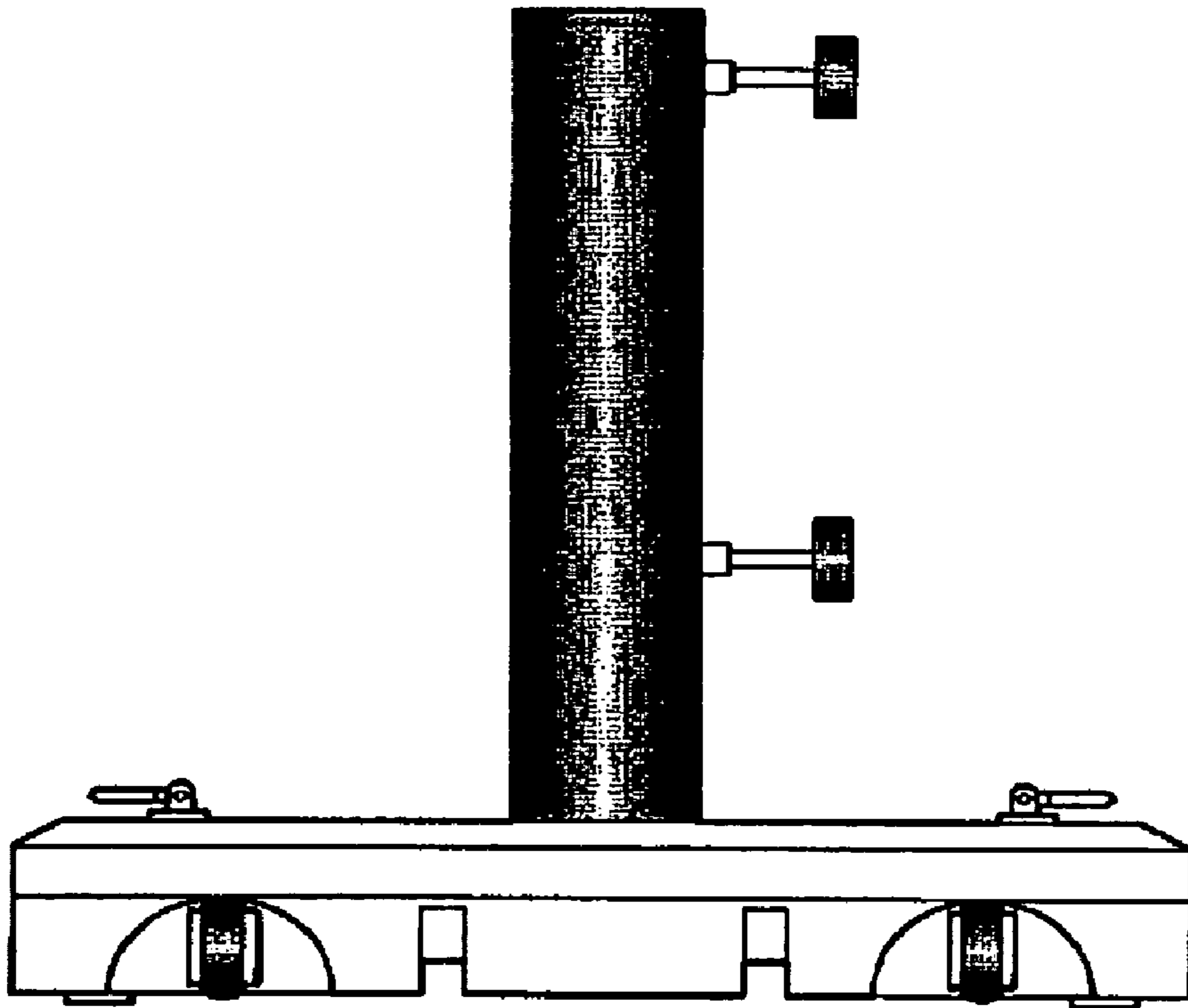


Figure 2

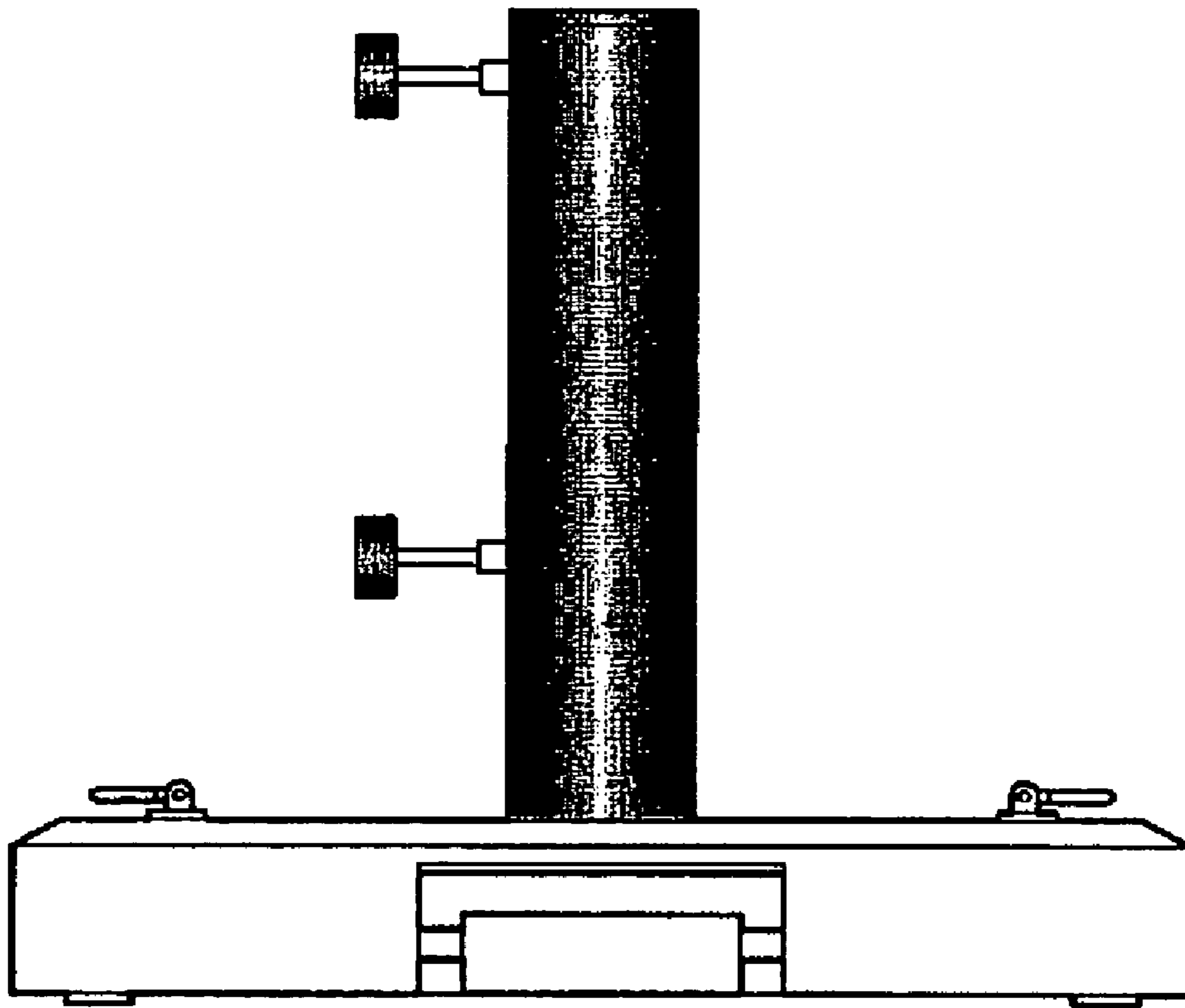


Figure 3

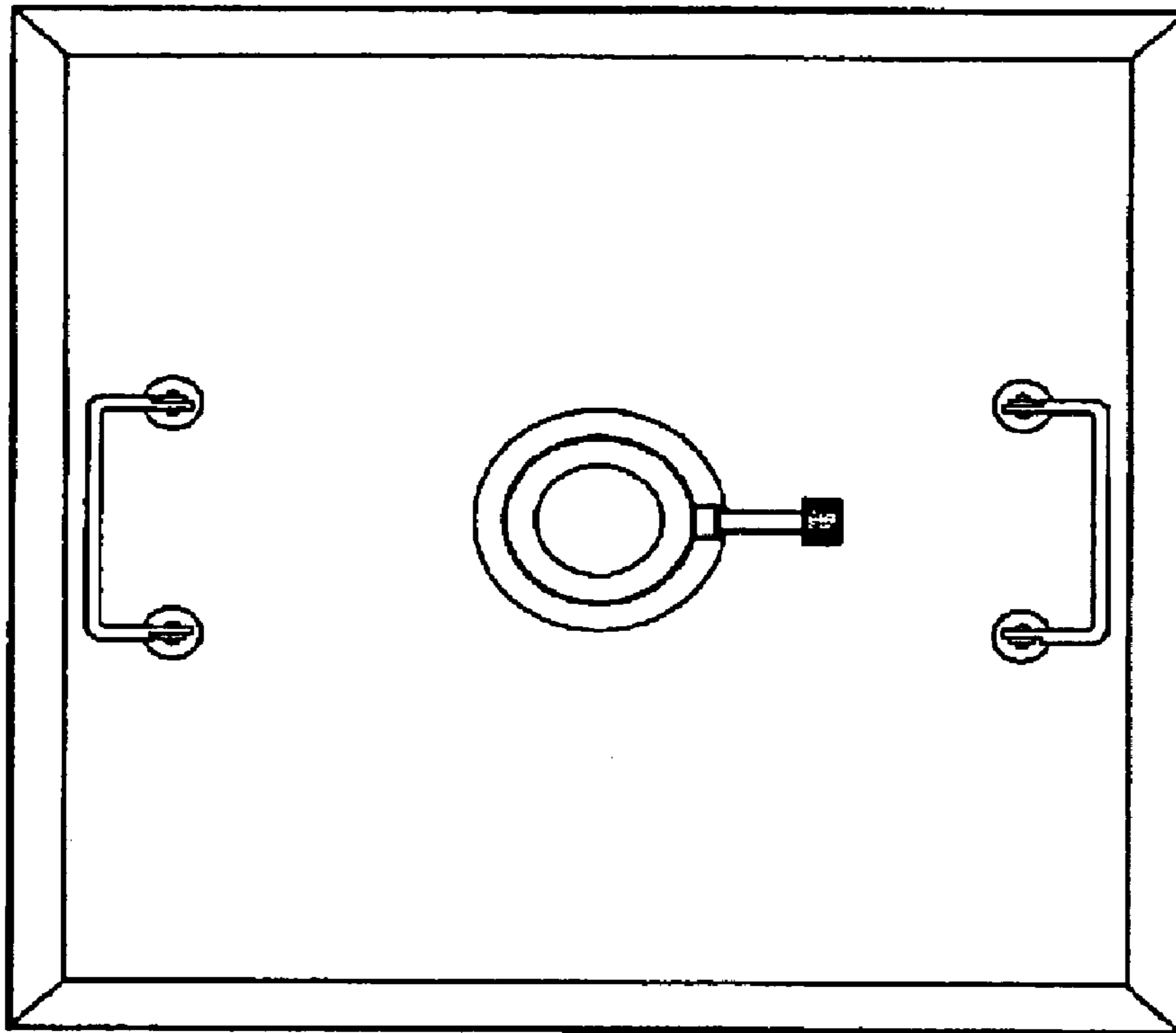


Figure 4

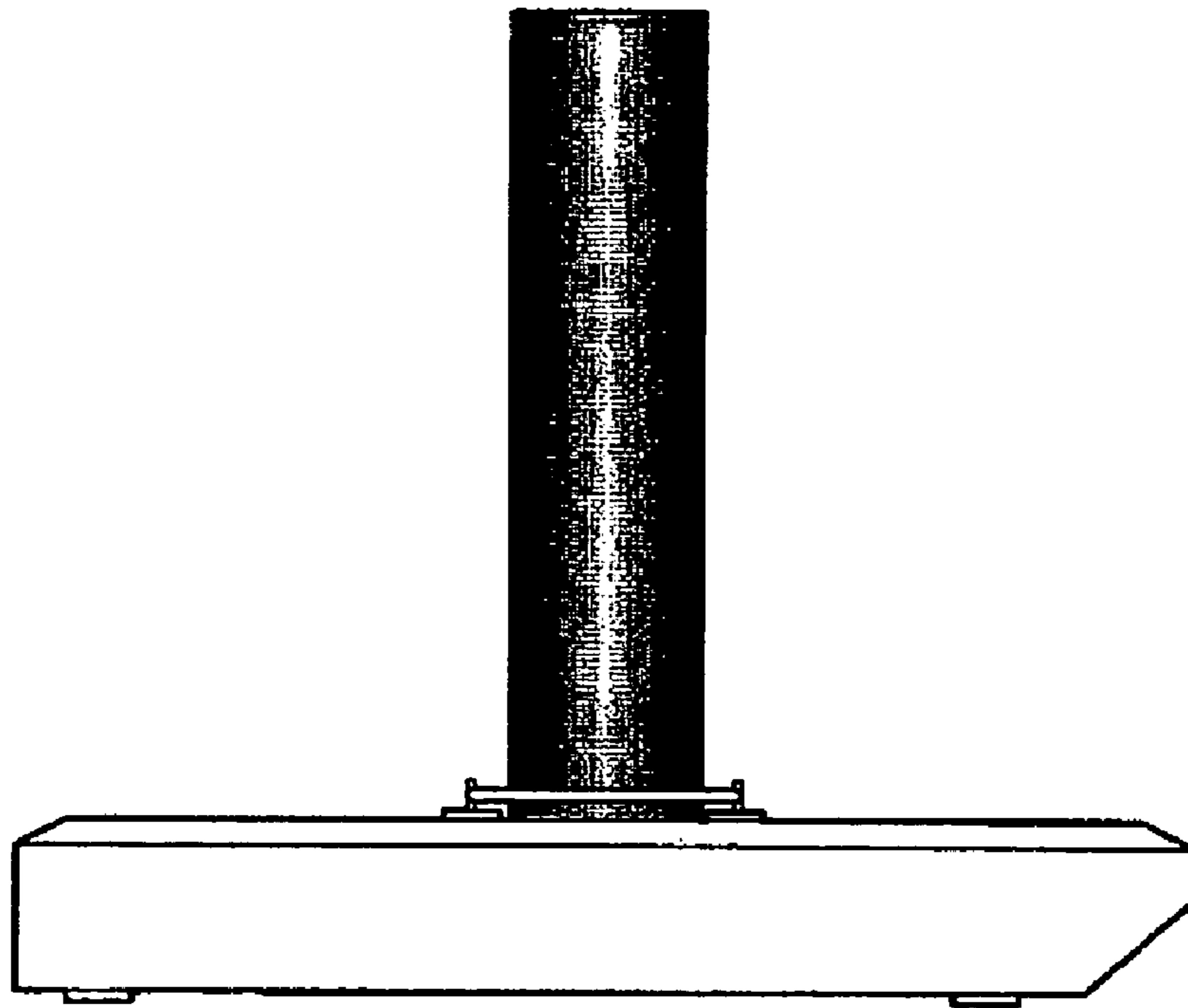


Figure 5

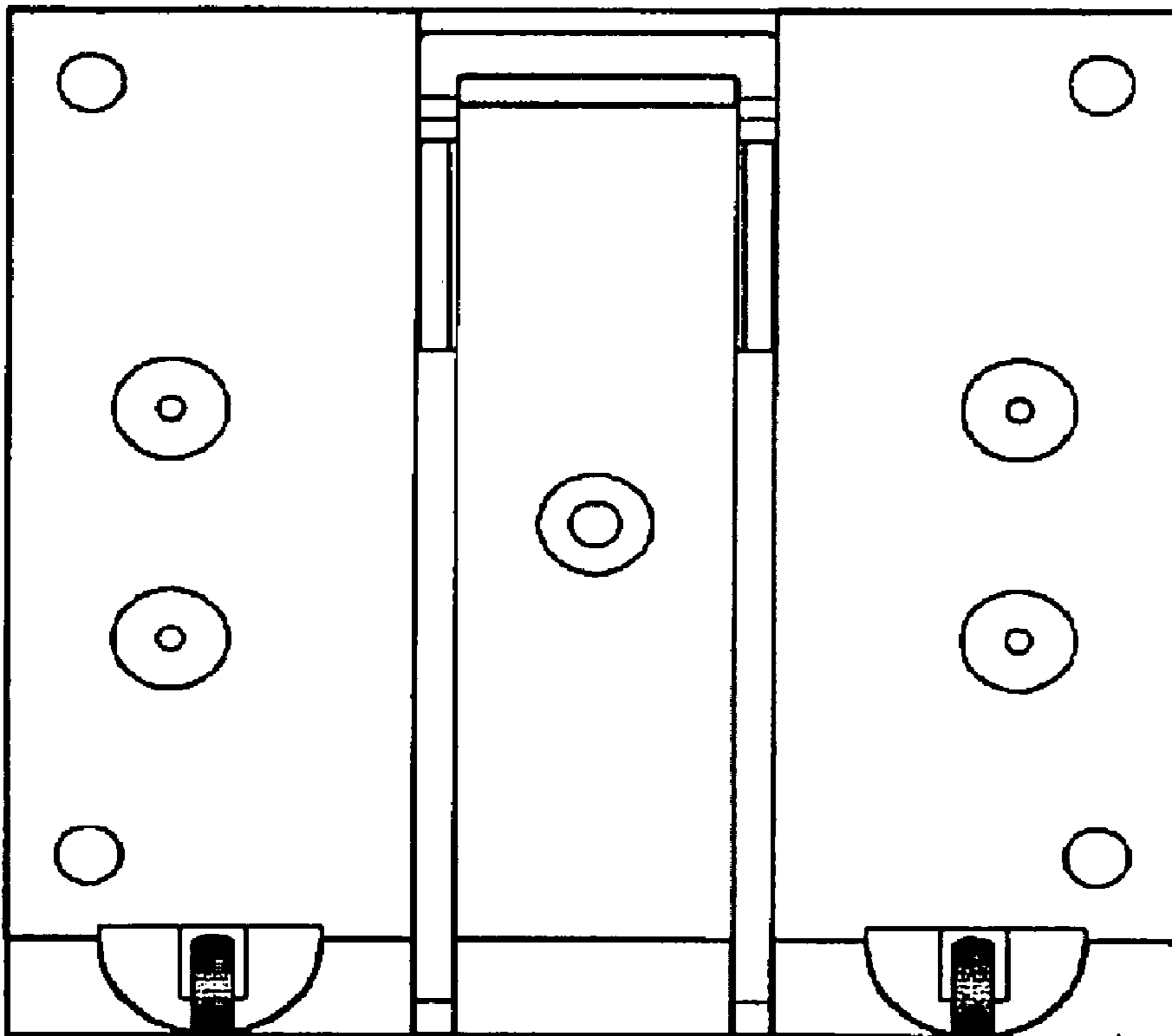


Figure 6

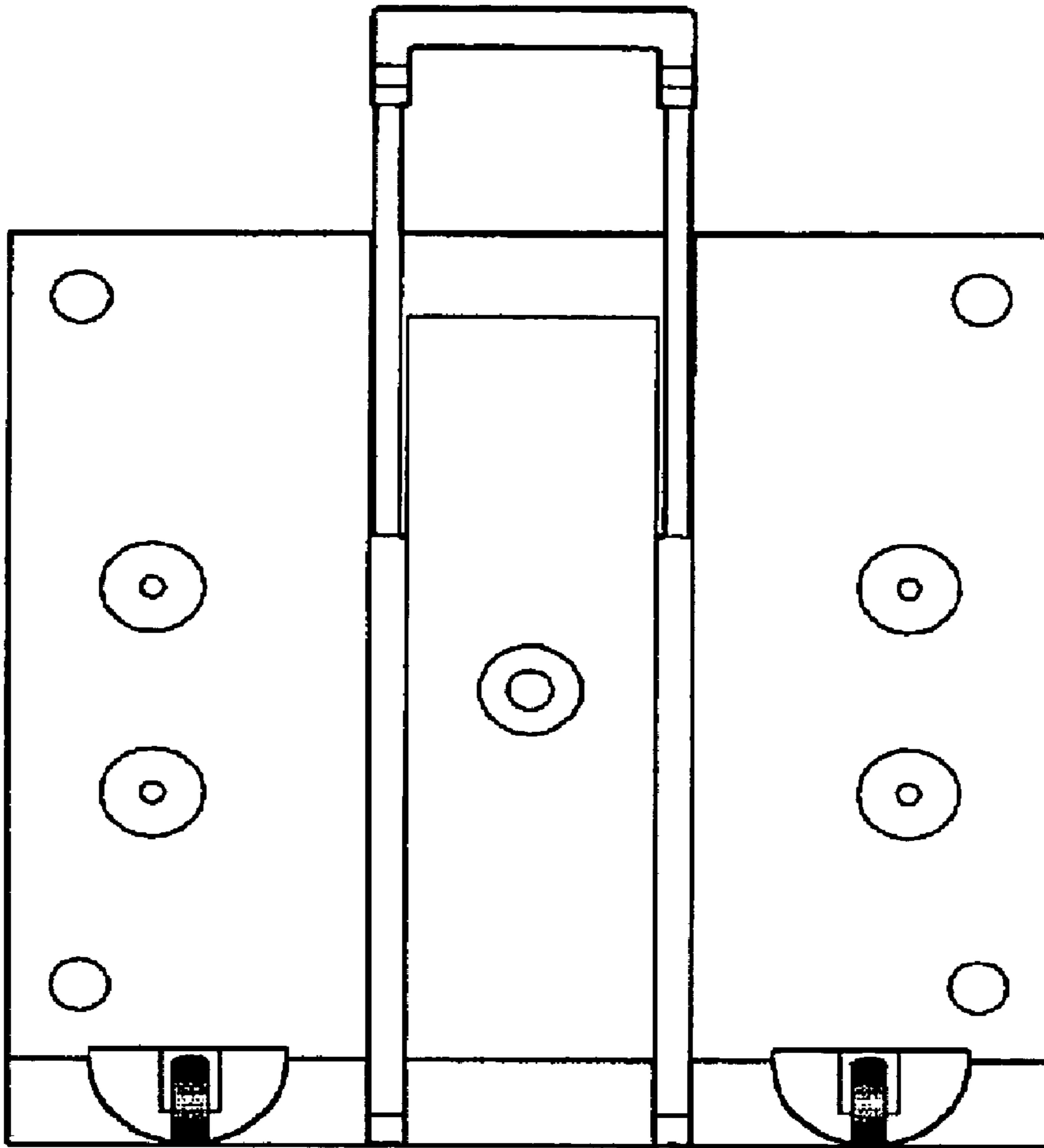


Figure 7

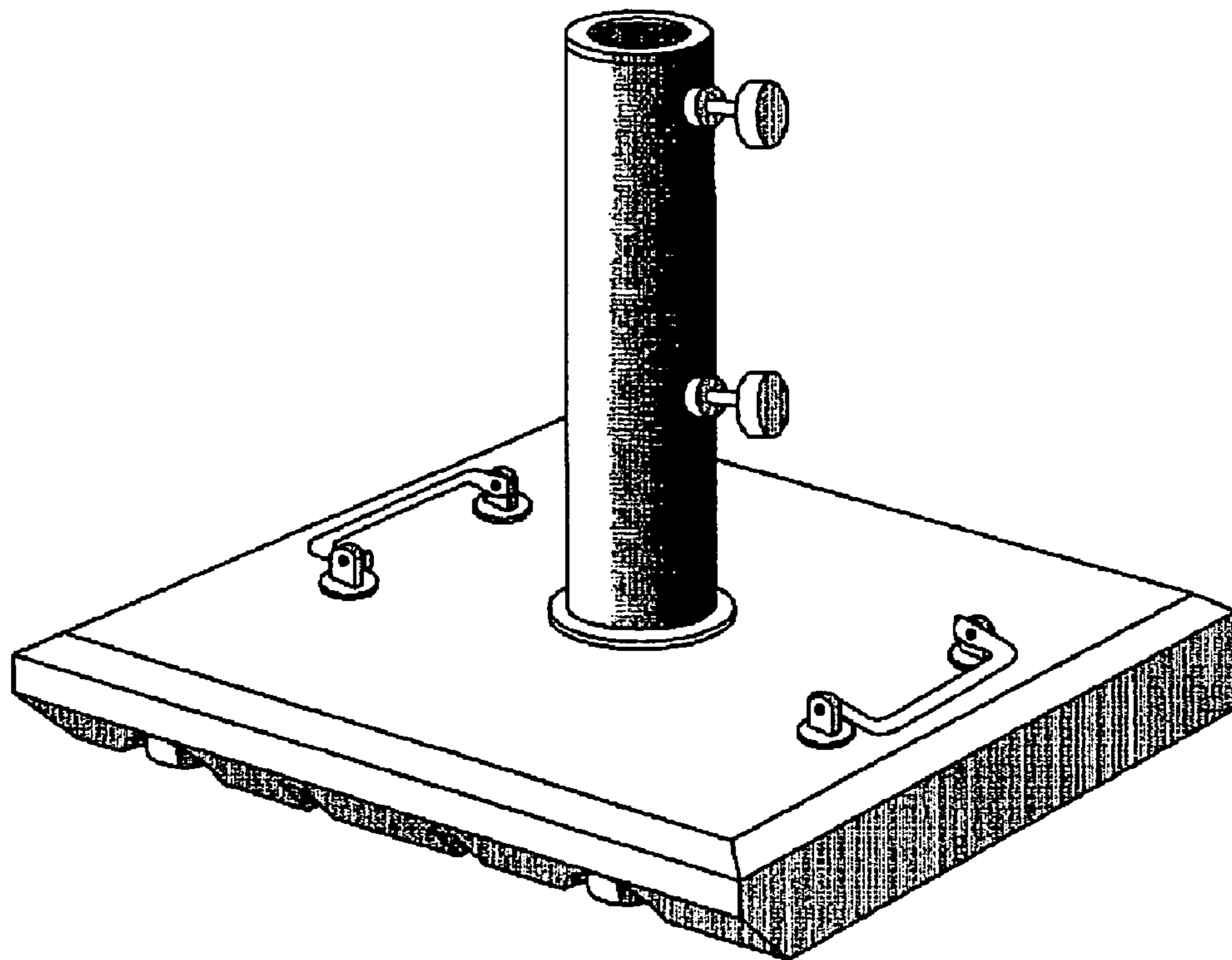


Figure 8