



US00D578744S

(12) **United States Design Patent**  
**Earle**

(10) **Patent No.:** **US D578,744 S**  
(45) **Date of Patent:** **\*\* Oct. 21, 2008**

(54) **FOOTWEAR FOXING TAPE**  
(75) Inventor: **John Earle**, Lake Oswego, OR (US)  
(73) Assignee: **Deckers Outdoor Corporation**, Goleta, CA (US)  
(\*\*) Term: **14 Years**  
(21) Appl. No.: **29/292,796**  
(22) Filed: **Oct. 29, 2007**  
(51) **LOC (8) Cl.** ..... **02-99**  
(52) **U.S. Cl.** ..... **D2/946; D2/977**  
(58) **Field of Classification Search** ..... D2/896,  
D2/902, 907, 946, 977; 36/45, 14, 114-116,  
36/126-130, 17 PW, 78  
See application file for complete search history.

D386,893 S 12/1997 Begg et al.  
D389,295 S 1/1998 Kelchak  
D414,919 S 10/1999 Begg et al.  
D447,327 S 9/2001 Greenberg  
D451,662 S 12/2001 Lucarelli et al.  
D475,510 S 6/2003 Reynolds  
D476,470 S 7/2003 Matis et al.  
D485,673 S \* 1/2004 Smith ..... D2/977  
D487,184 S 3/2004 Issler  
D495,128 S \* 8/2004 Avar ..... D2/977  
D496,523 S 9/2004 Fuerst  
D499,541 S \* 12/2004 Dolan ..... D2/977  
D499,863 S 12/2004 Sakai  
D522,721 S 6/2006 Saunders  
D532,600 S \* 11/2006 Dojan et al. .... D2/977

\* cited by examiner

*Primary Examiner*—Dominic Simone  
(74) *Attorney, Agent, or Firm*—Greer, Burns & Crain, Ltd.

(56) **References Cited**  
U.S. PATENT DOCUMENTS

D50,573 S \* 4/1917 Hasel ..... D2/977  
D61,382 S \* 8/1922 Schwerin ..... D2/977  
1,952,628 A \* 3/1934 MacDonald ..... 36/45  
D128,091 S \* 7/1941 Bingham, Jr. .... D2/977  
D155,783 S 11/1949 Crowley  
3,029,823 A \* 4/1962 Zerkowitz ..... 36/14  
D227,820 S \* 7/1973 Cohen ..... D2/907  
D230,440 S \* 2/1974 Cohen ..... D2/900  
D237,424 S \* 11/1975 Hannemann ..... D2/897  
D238,124 S \* 12/1975 Cohen ..... D2/977  
D296,035 S \* 6/1988 Le ..... D2/977  
D306,231 S \* 2/1990 Dorfman ..... D2/977  
D319,336 S 8/1991 Mitsui  
D337,879 S 8/1993 Byrne et al.  
5,369,830 A 12/1994 Chiarabini Bravi  
D356,671 S 3/1995 Blanchini  
D368,796 S 4/1996 Fabio  
D379,861 S 6/1997 Wunsch

(57) **CLAIM**

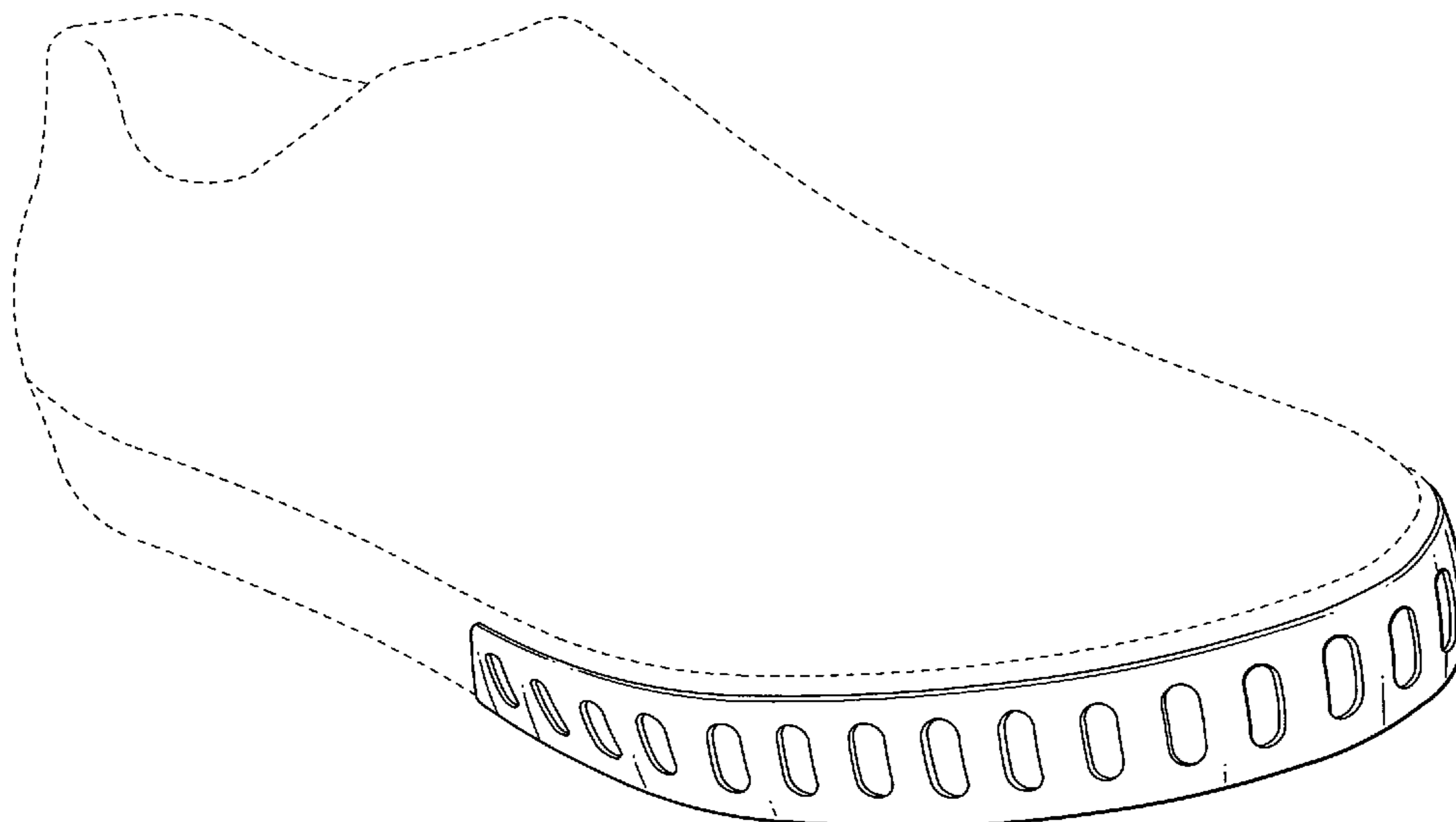
The ornamental design for a footwear foxing tape, as shown and described.

**DESCRIPTION**

FIG. 1 is a front perspective view of a footwear foxing tape showing my new design;  
FIG. 2 is a lateral side elevational view thereof;  
FIG. 3 is a medial side elevational view thereof;  
FIG. 4 is a front elevational view thereof;  
FIG. 5 is a rear elevational view thereof;  
FIG. 6 is a top plan view thereof; and,  
FIG. 7 is a bottom plan view thereof.

The broken lines in FIGS. 1-7 represent portions of the footwear that form no part of the claimed design.

**1 Claim, 6 Drawing Sheets**



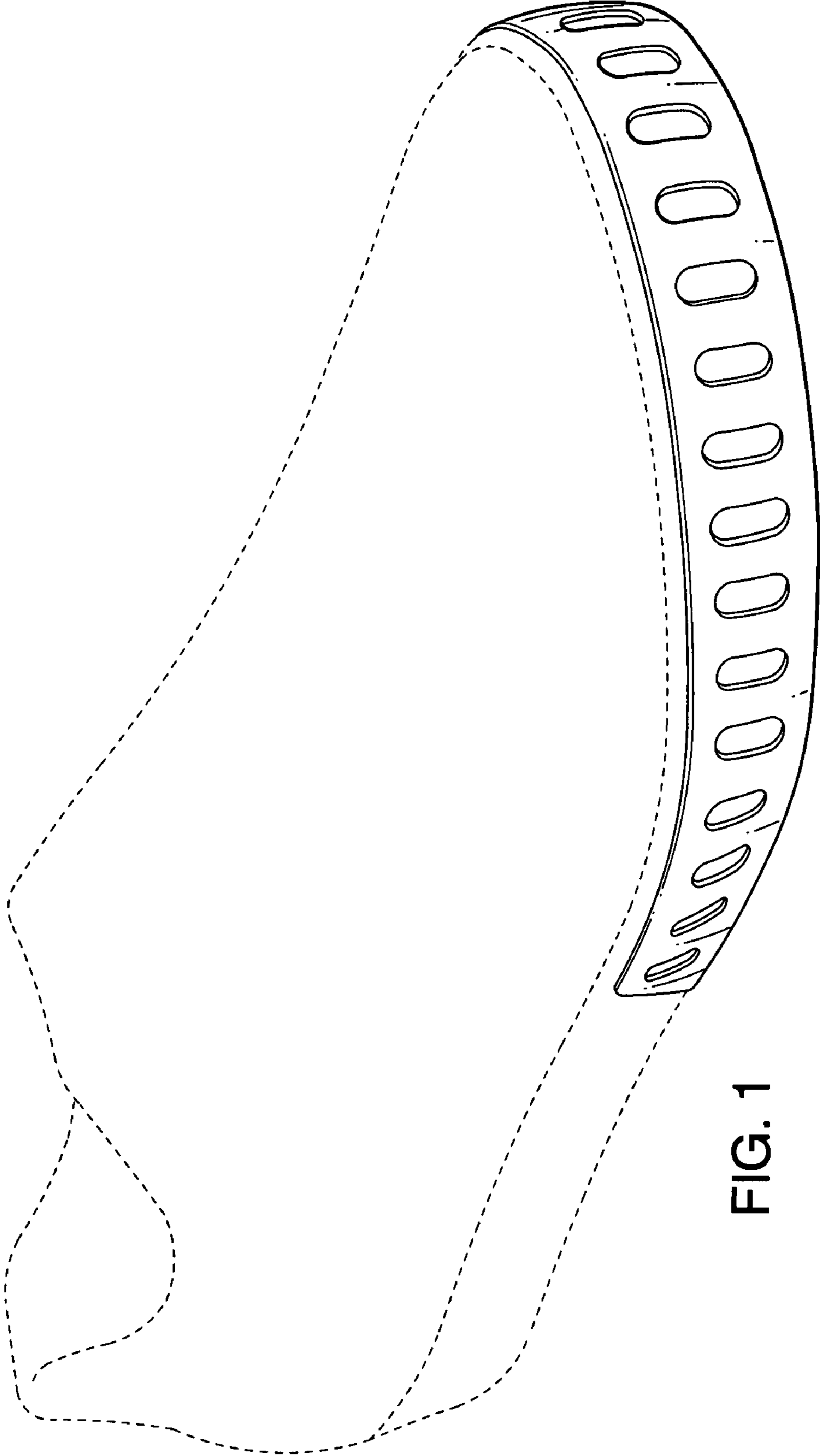


FIG. 1

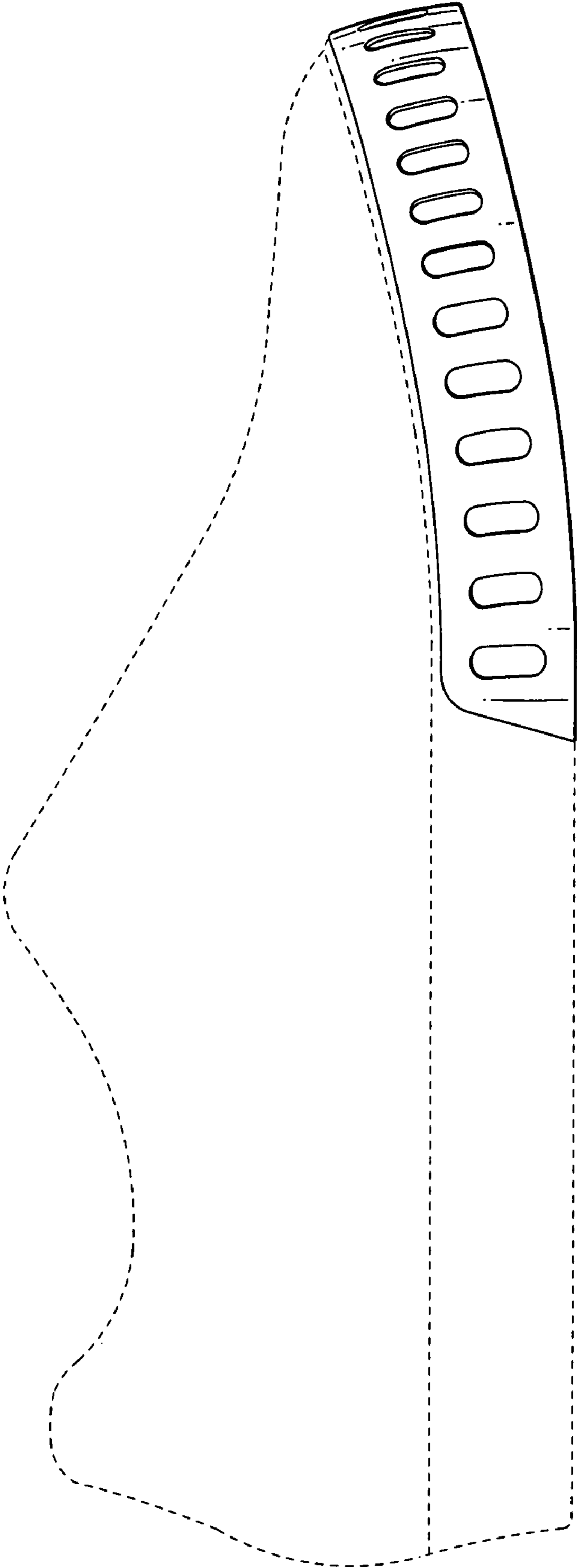


FIG. 2

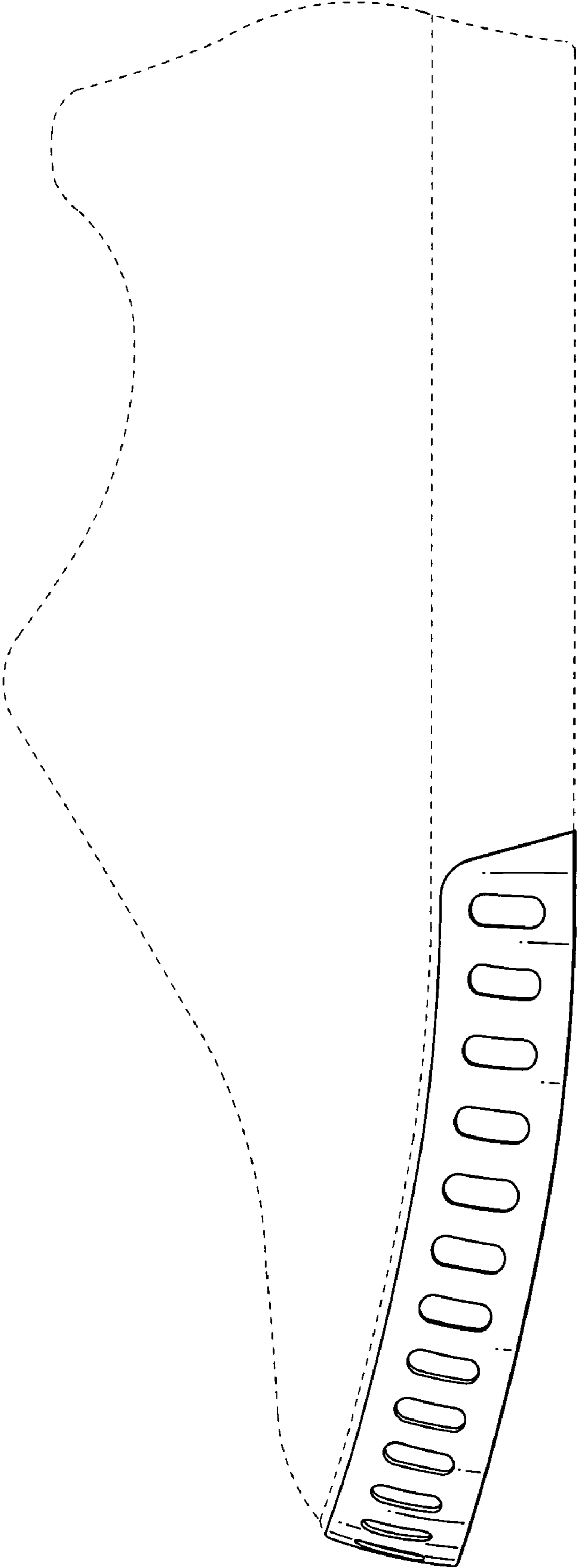


FIG. 3

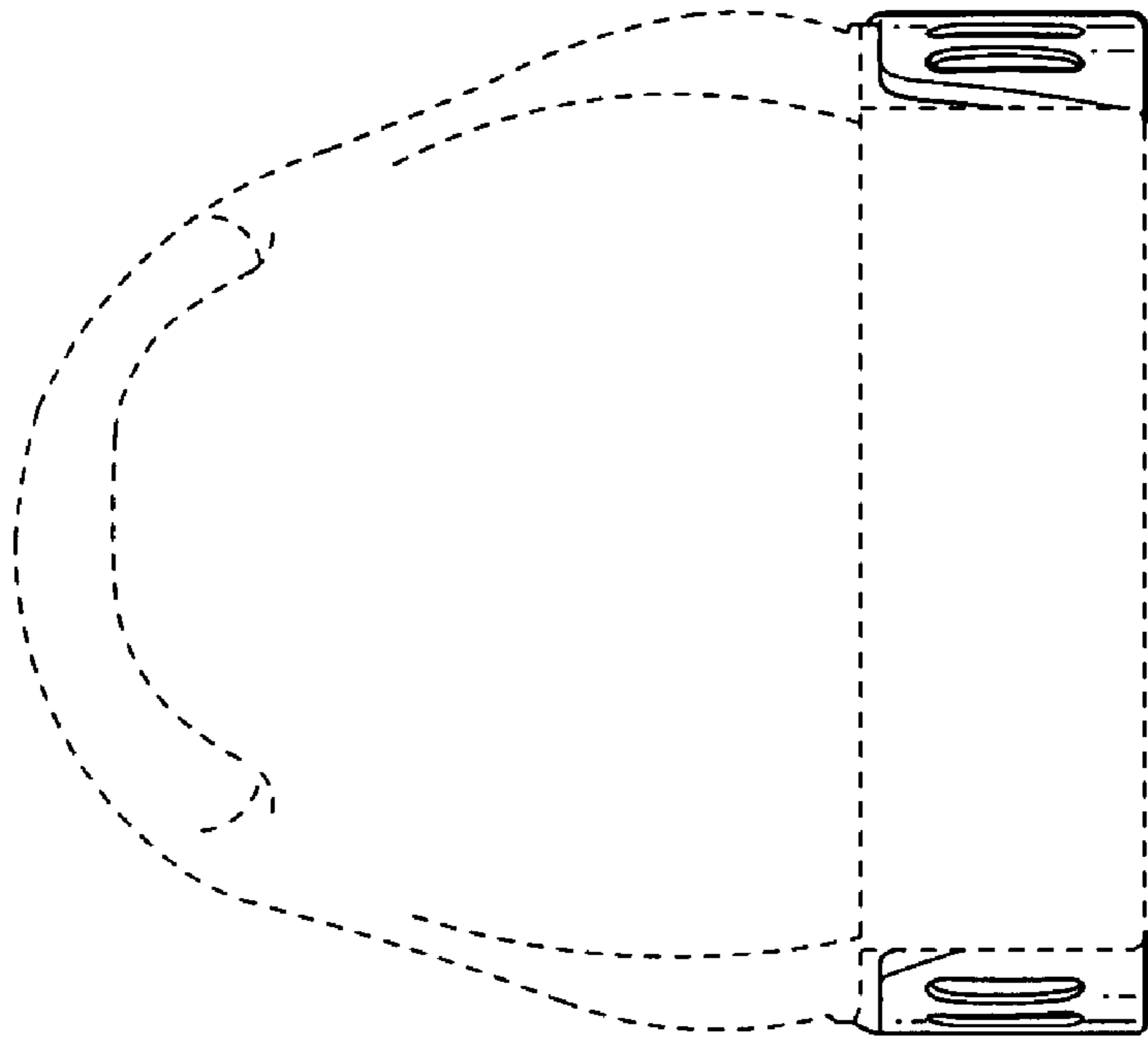


FIG. 5

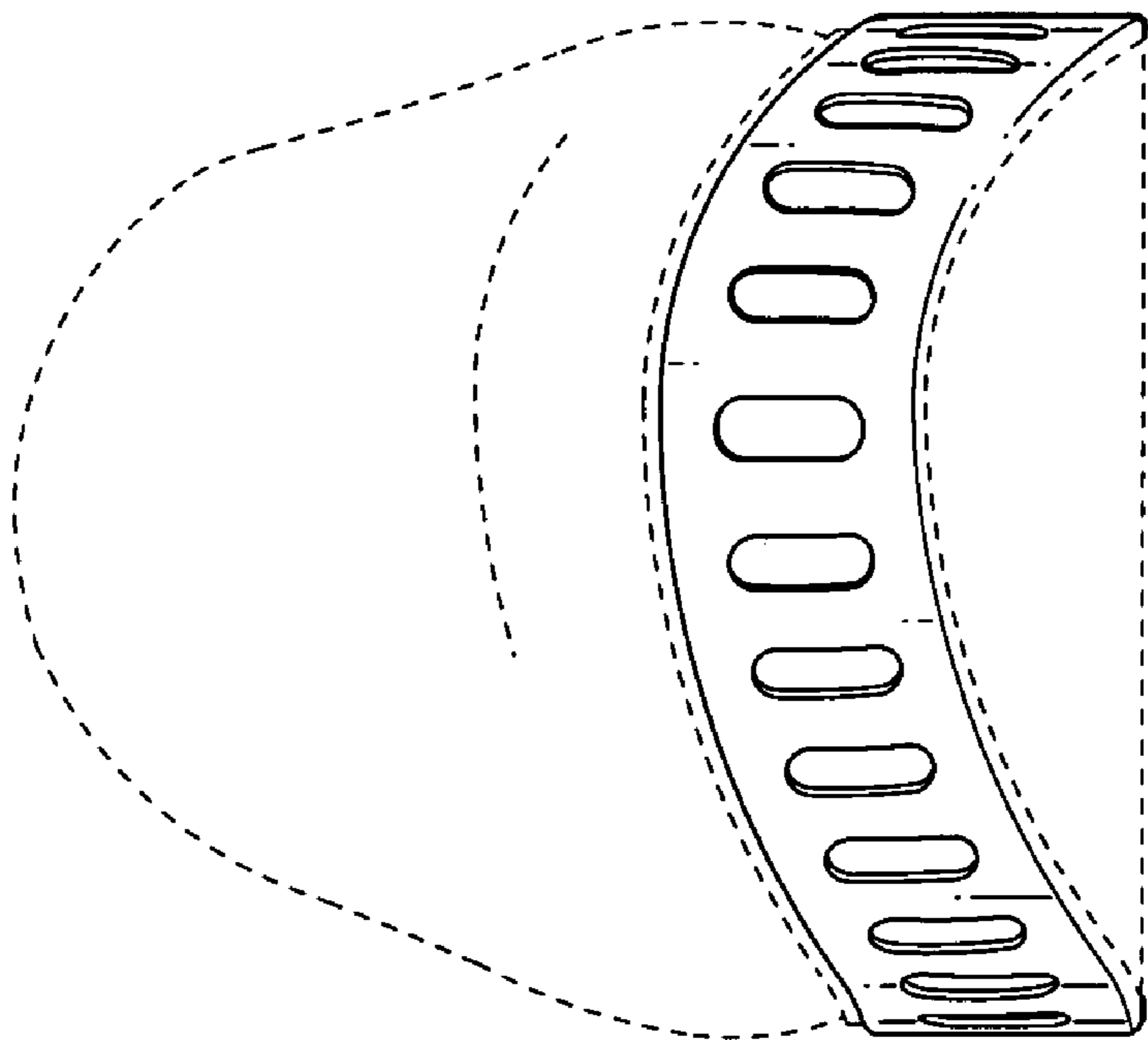


FIG. 4

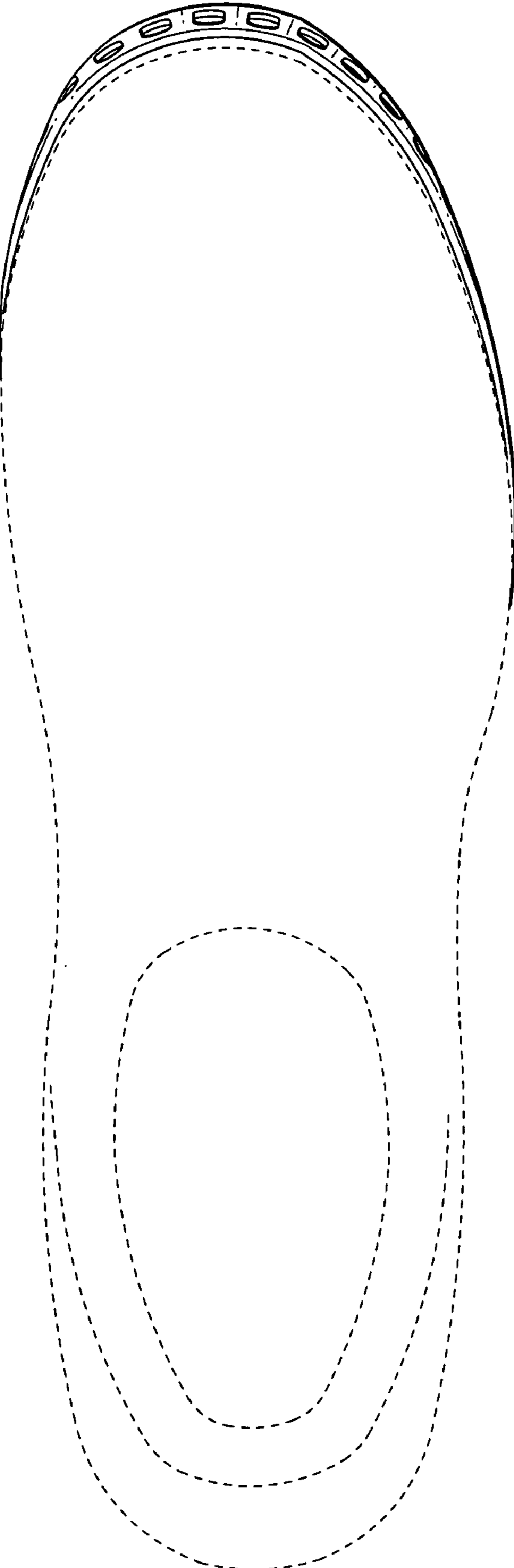


FIG. 6

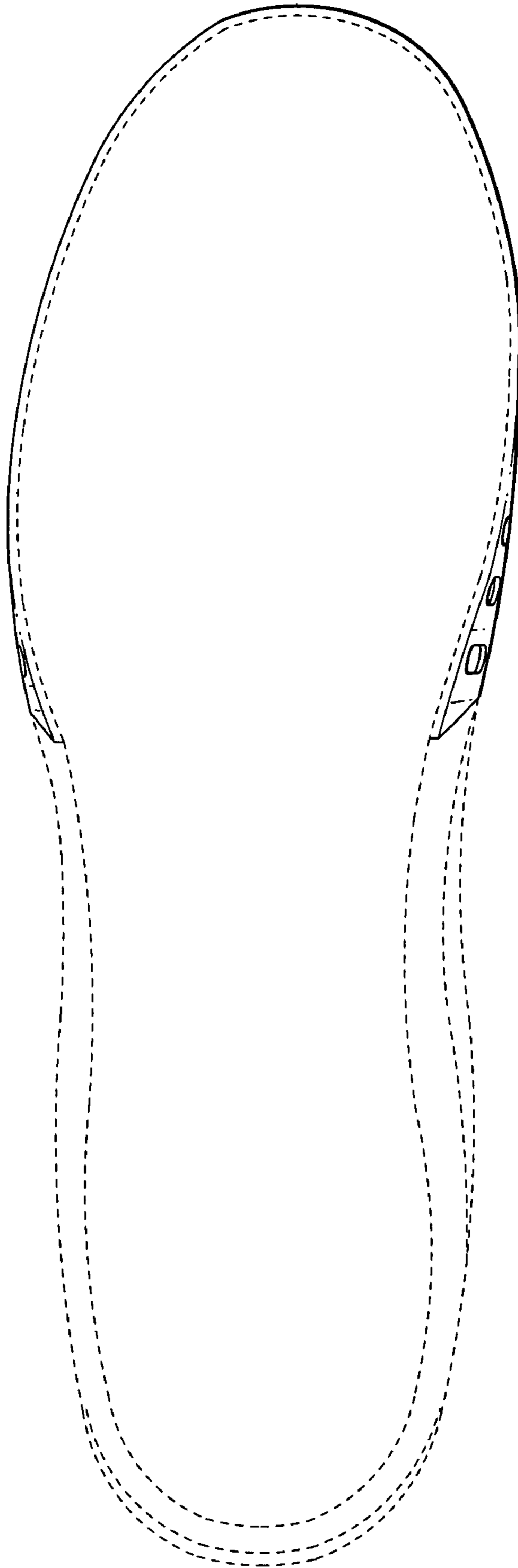


FIG. 7